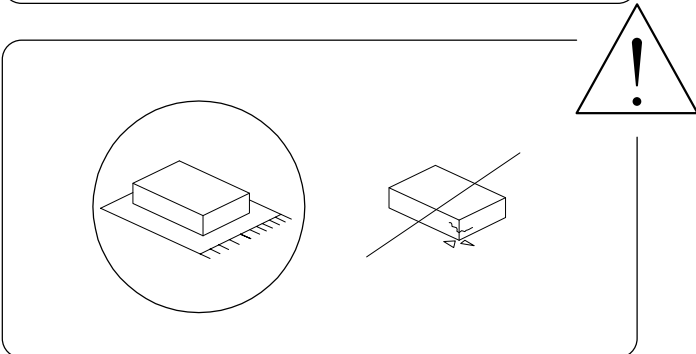
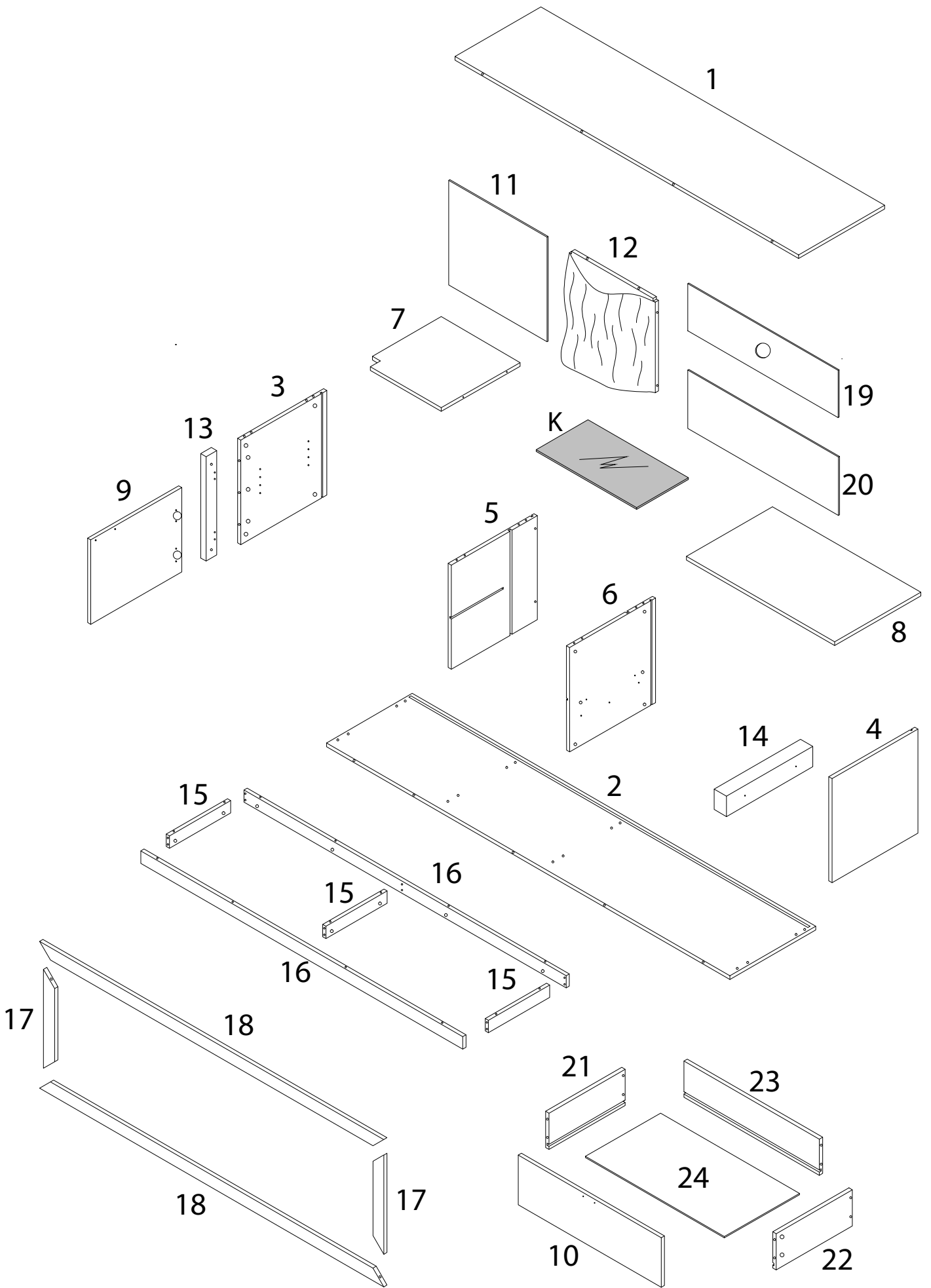
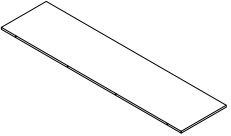
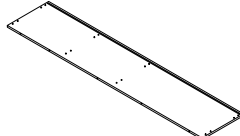
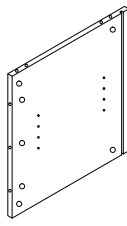
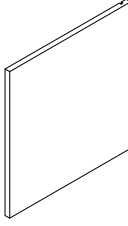
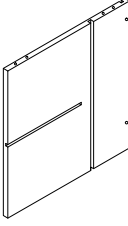
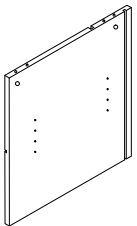
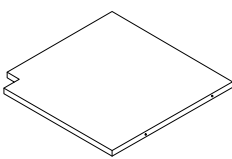
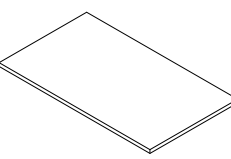
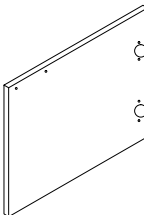
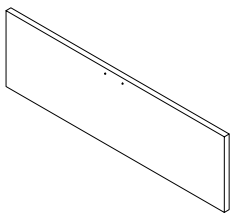
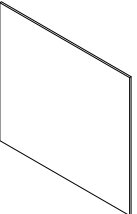
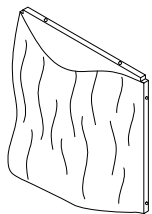

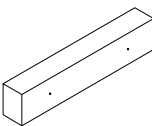
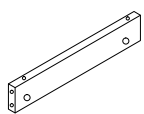
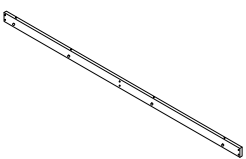

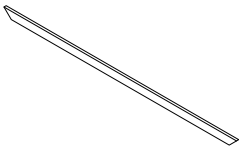
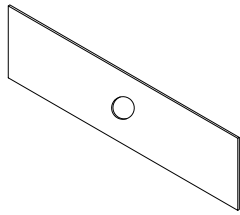
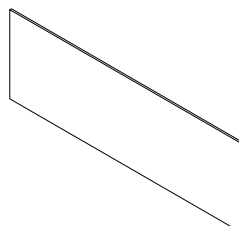
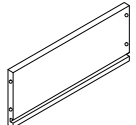
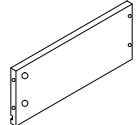
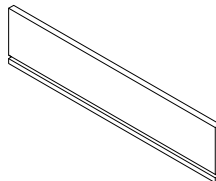
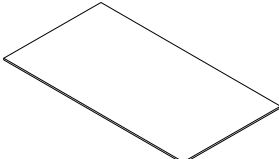


60'

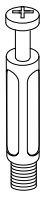


2



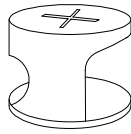
<p>1</p>  <p>x 1</p>	<p>2</p>  <p>x 1</p>	<p>3</p>  <p>x 1</p>	<p>4</p>  <p>x 1</p>	<p>5</p>  <p>x 1</p>
<p>6</p>  <p>x 1</p>	<p>7</p>  <p>x 1</p>	<p>8</p>  <p>x 1</p>	<p>9</p>  <p>x 1</p>	<p>10</p>  <p>x 1</p>
<p>11</p>  <p>x 1</p>	<p>12</p>  <p>x 1</p>	<p>13</p>  <p>x 1</p>	<p>14</p>  <p>x 1</p>	<p>15</p>  <p>x 3</p>
<p>16</p>  <p>x 2</p>	<p>17</p>  <p>x 2</p>	<p>18</p>  <p>x 2</p>	<p>19</p>  <p>x 1</p>	<p>20</p>  <p>x 1</p>
<p>21</p>  <p>x 1</p>	<p>22</p>  <p>x 1</p>	<p>23</p>  <p>x 1</p>	<p>24</p>  <p>x 1</p>	

A



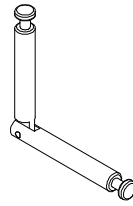
x 60

B



x 68

C



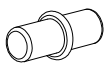
x 4

D



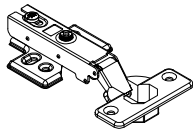
x 30

E



x 4

F



x 2

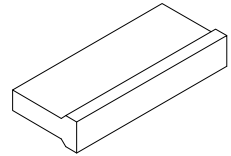
G



ST4  
x  
16

x 12

H



x 1

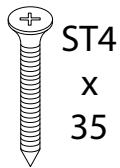
I



M4  
x  
18

x 4

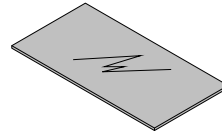
J



ST4  
x  
35

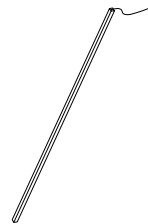
x 8

K



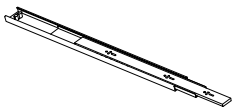
x 1

L



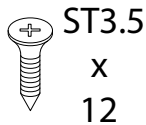
x 2

P



x 2

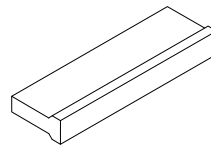
Q



ST3.5  
x  
12

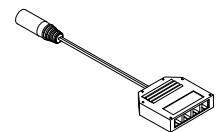
x 2

R



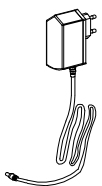
x 1

S



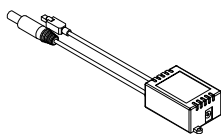
x 1

T



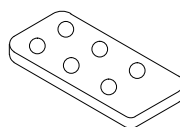
x 1

U1



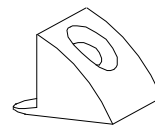
x 1

U2



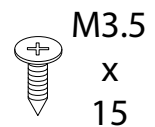
x 1

V1



x 4

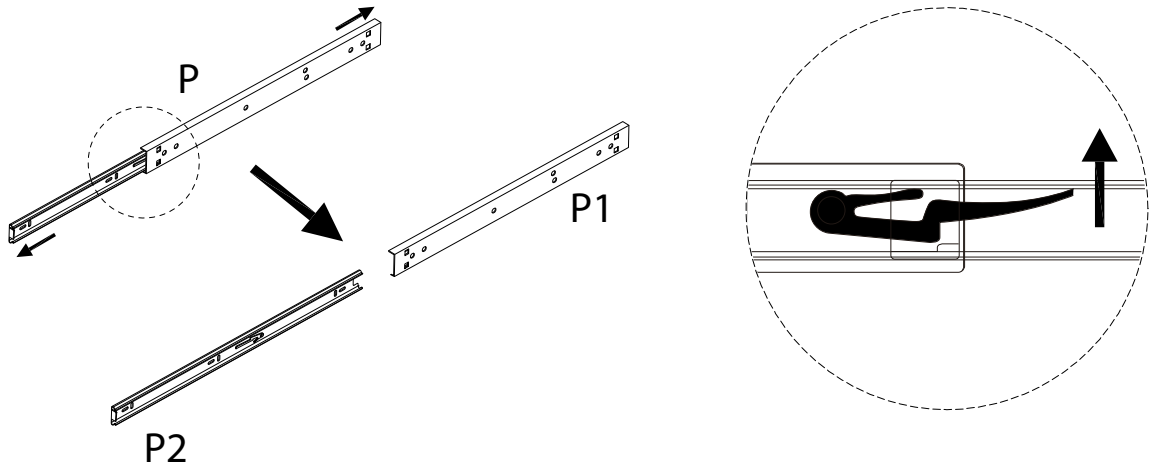
V2



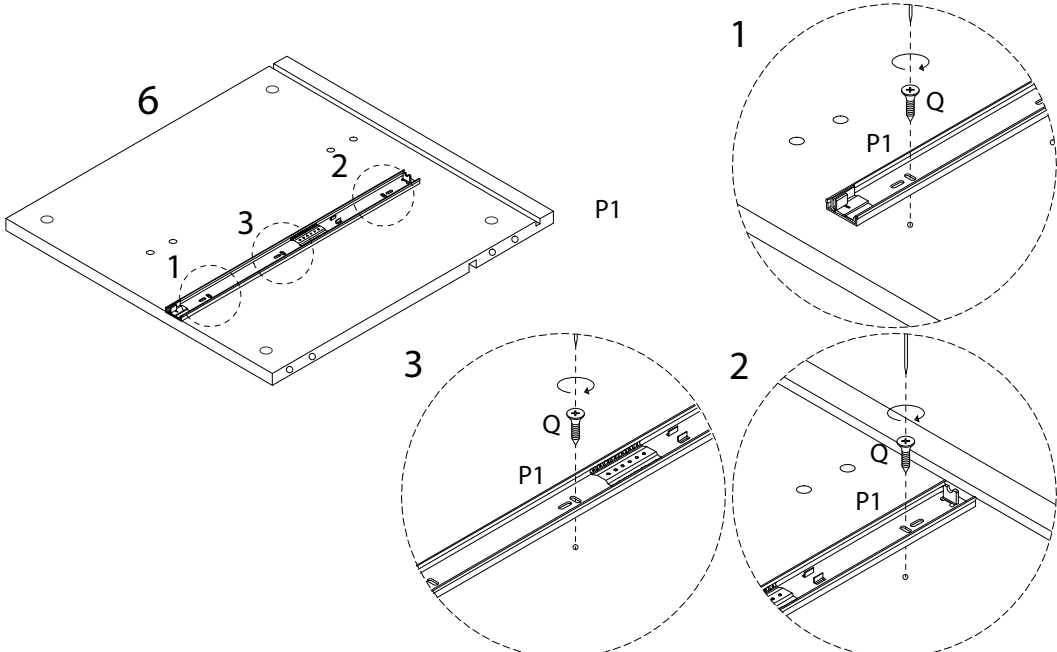
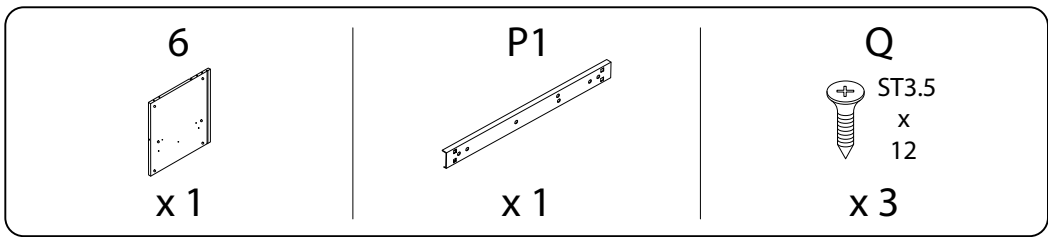
M3.5  
x  
15

x 4

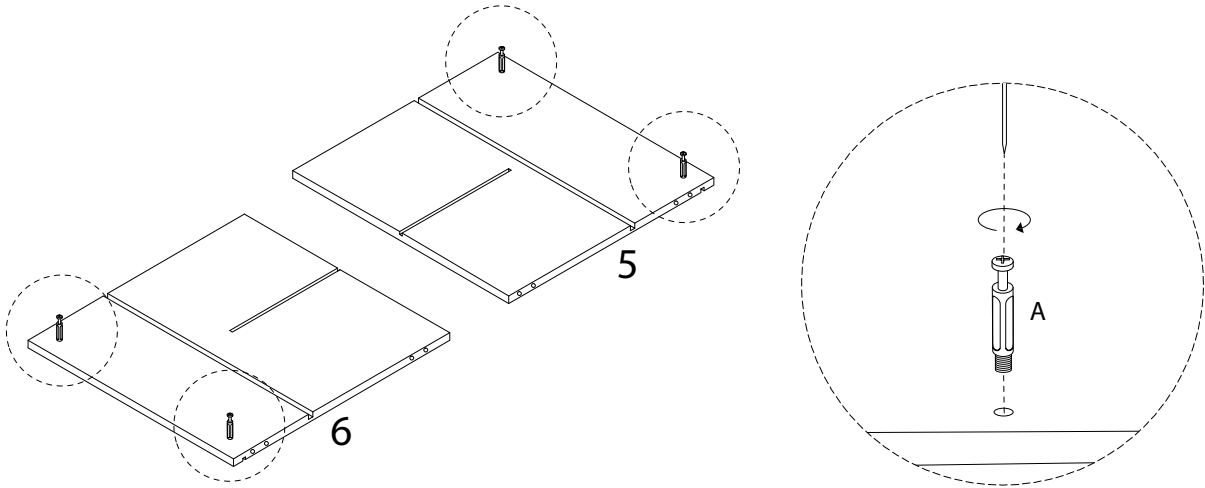
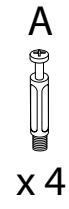
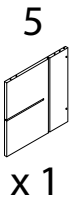
!



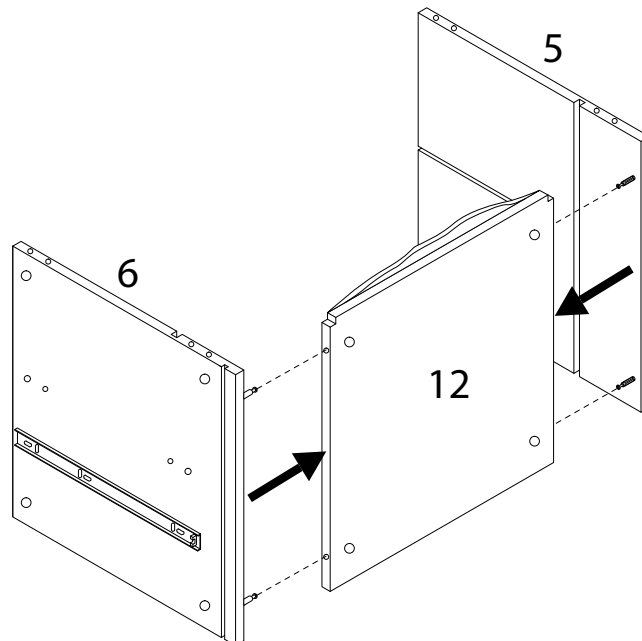
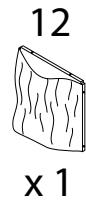
1



2



3

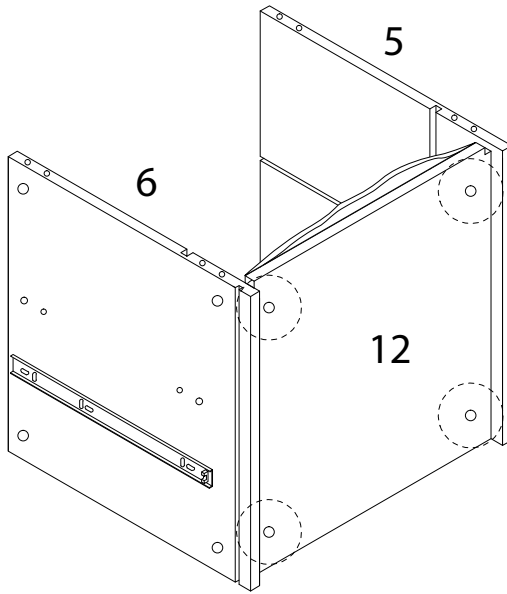


4

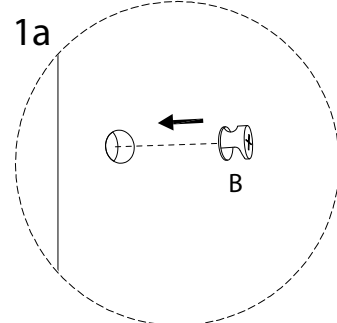
B



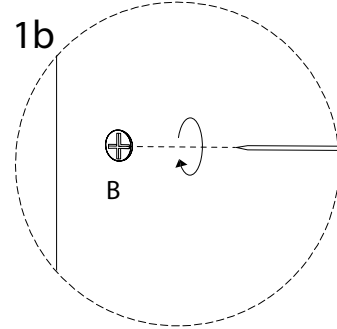
x 4



1a



1b

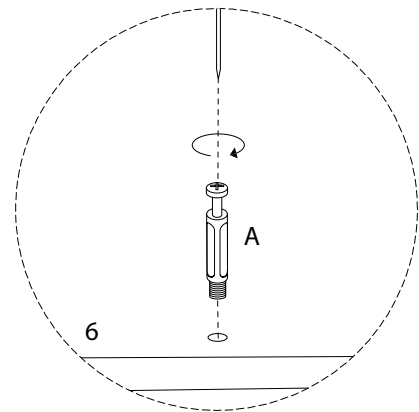
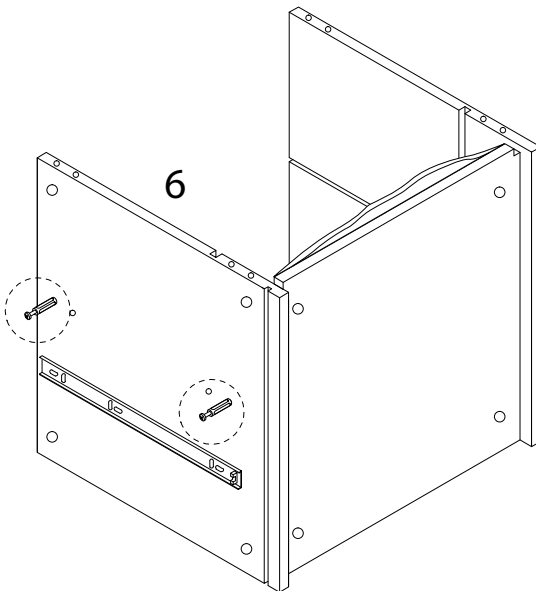


5

A

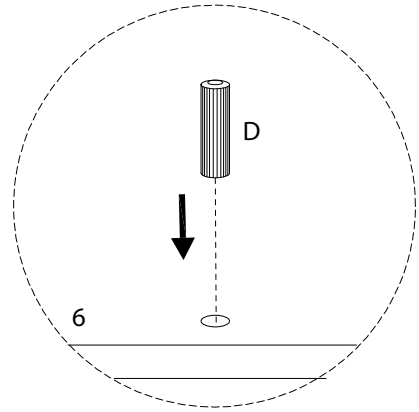
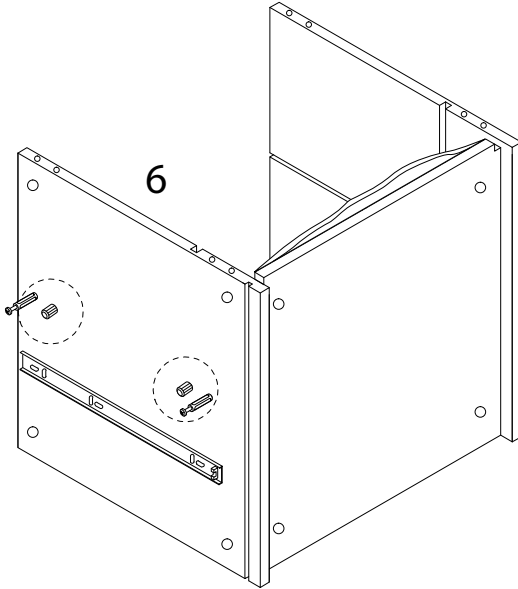


x 2



6

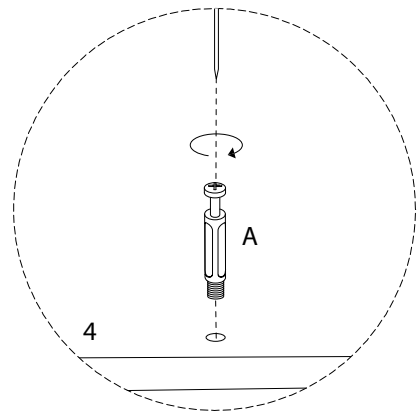
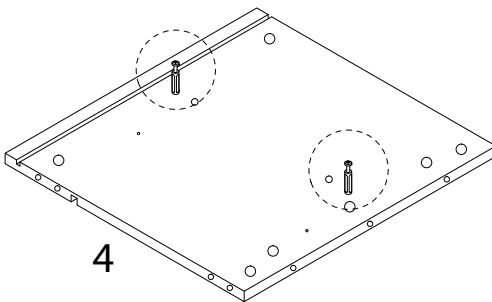
D  
x 2



7

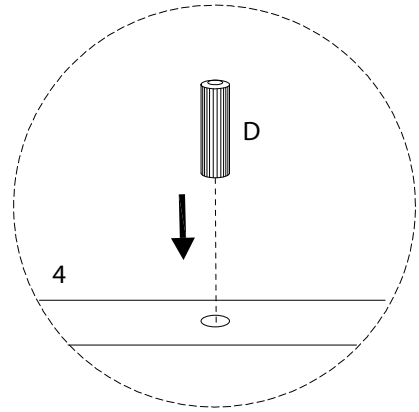
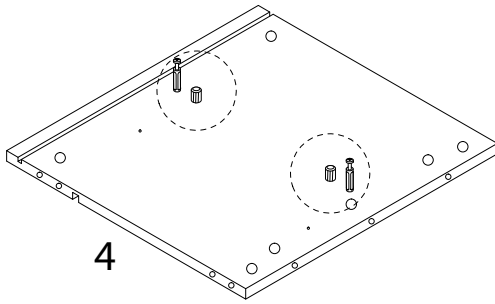
4  
x 1

A  
x 2



8

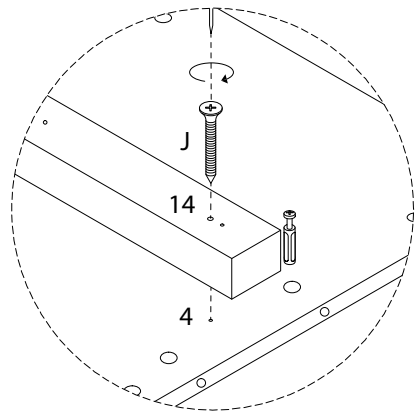
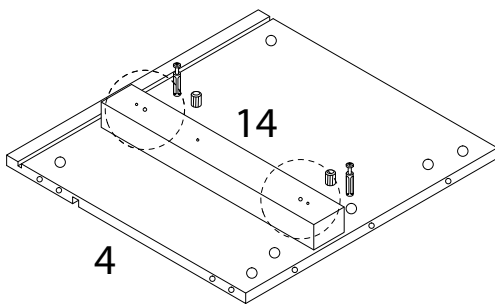
D  
x 2



9

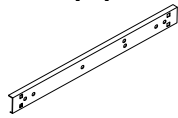
14  
x 1

J  
ST4  
x  
35  
x 2



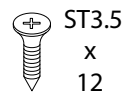
10

P1



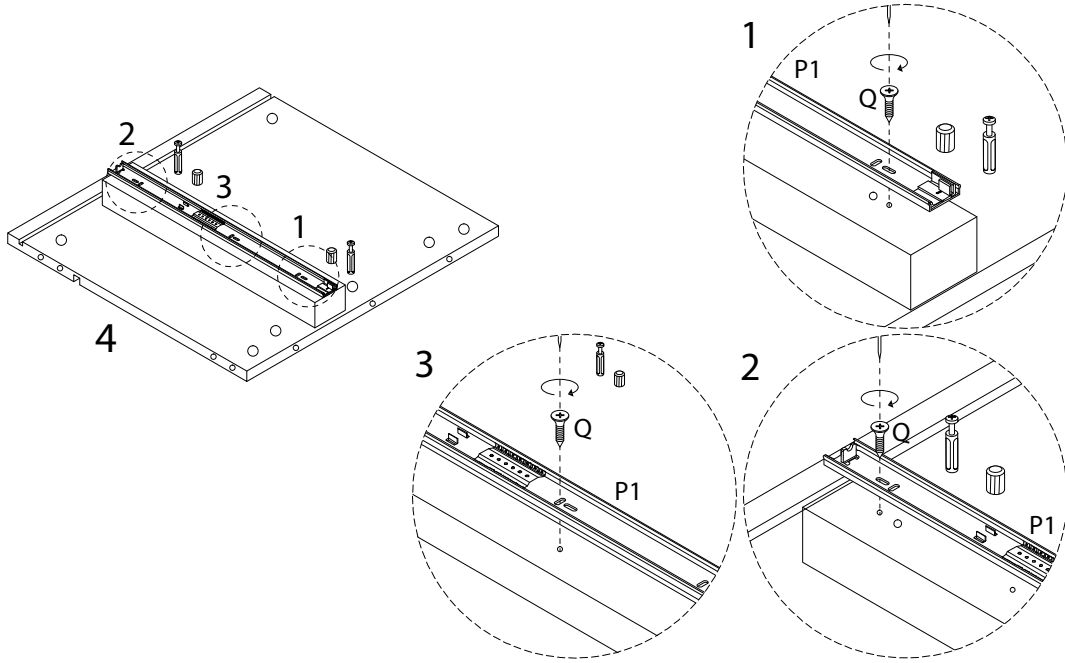
x 1

Q



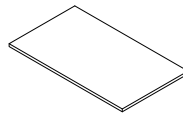
ST3.5  
x  
12

x 3

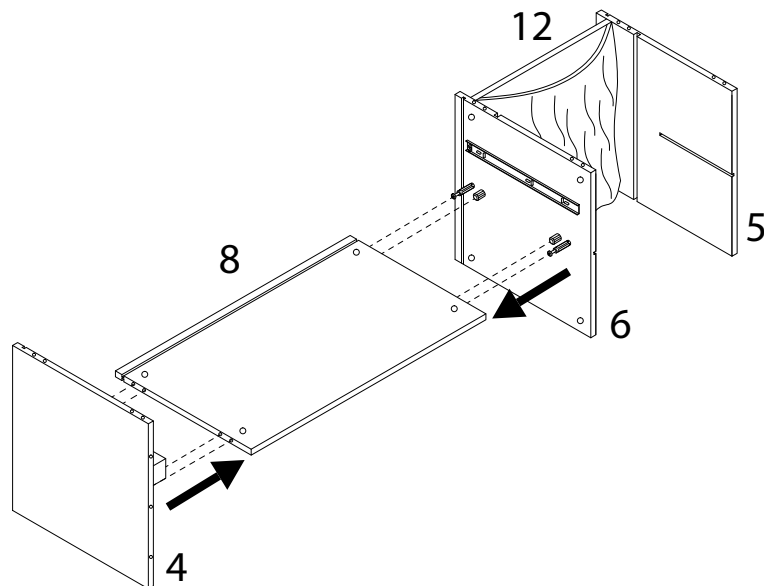


11

8



x 1

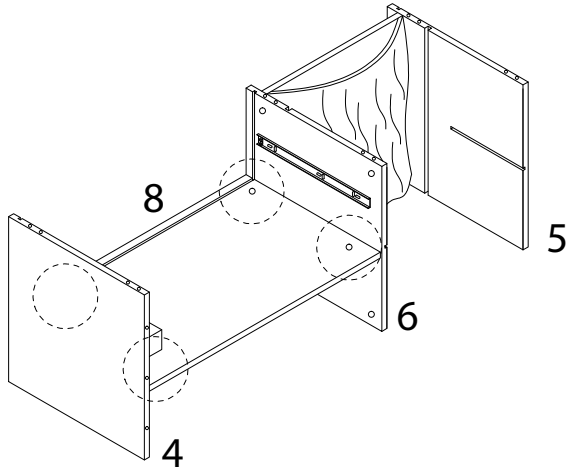


12

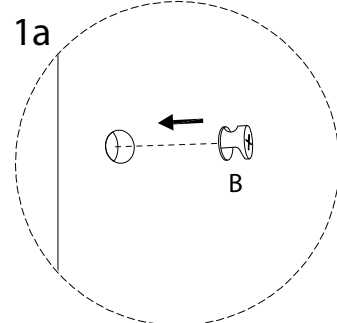
B



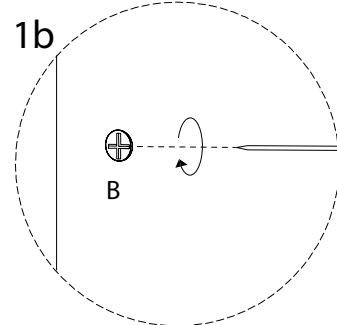
x 4



1a

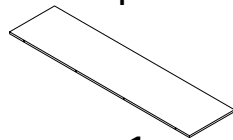


1b



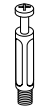
13

1

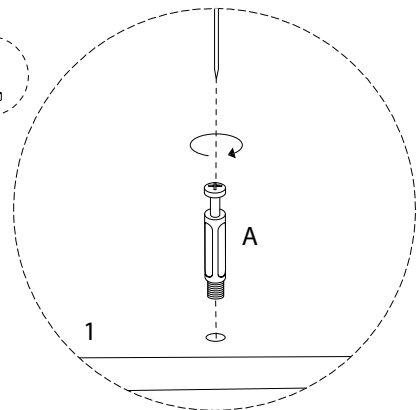
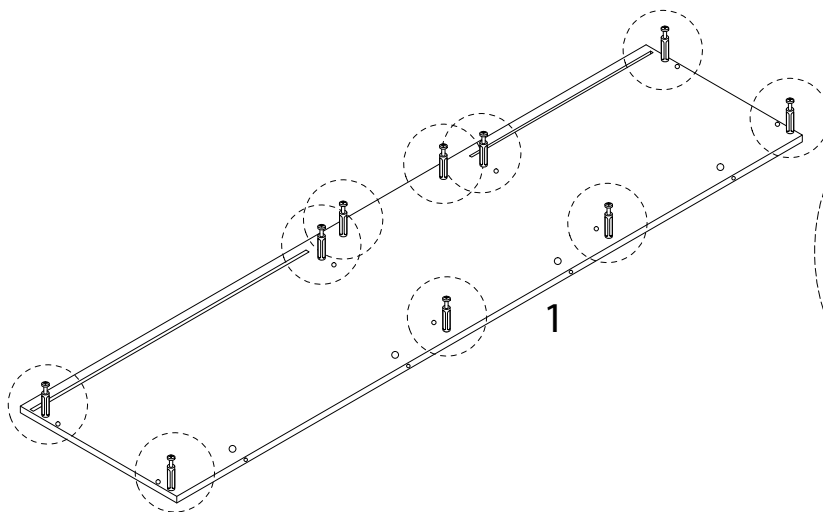


x 1

A



x 10

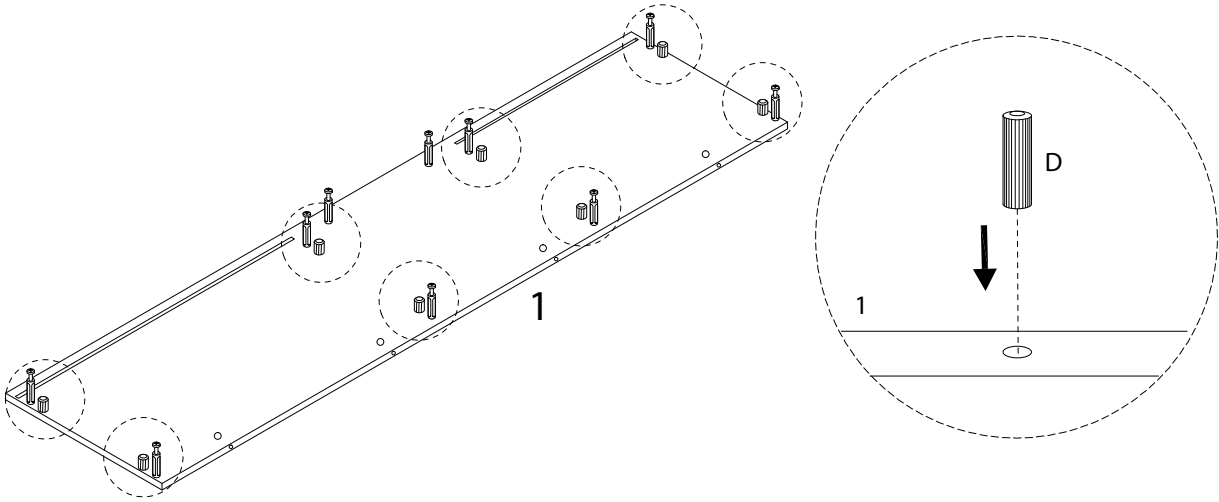


14

D

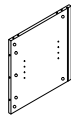


x8



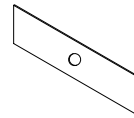
15

3

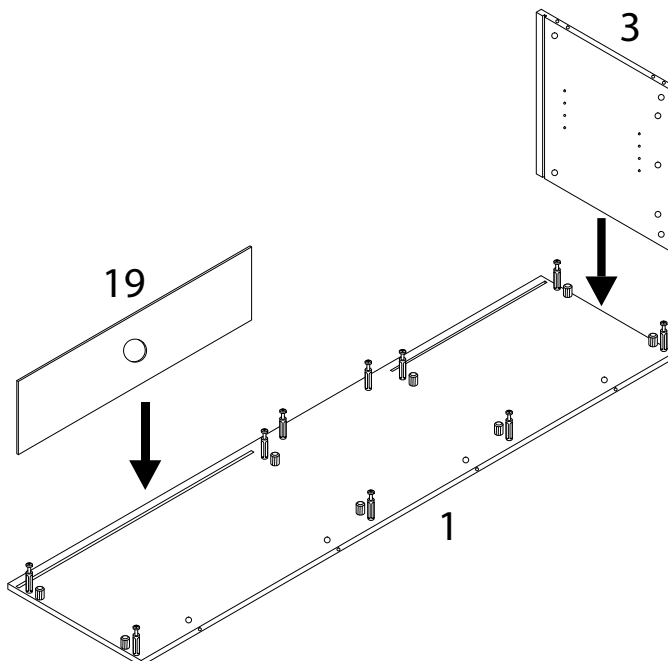


x 1

19



x 1

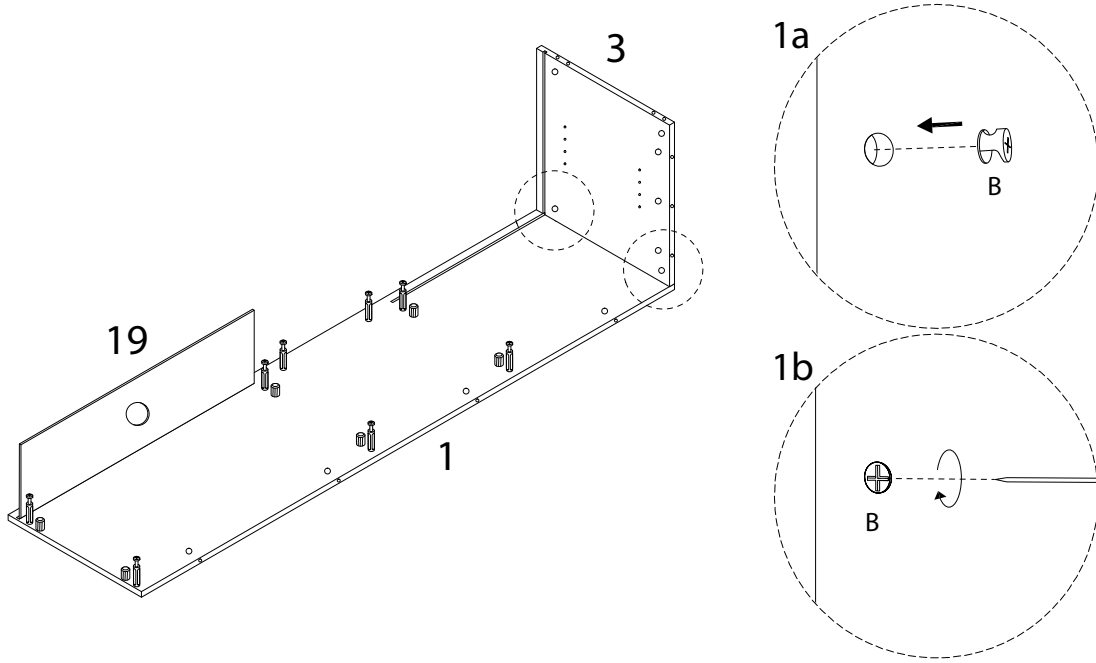


16

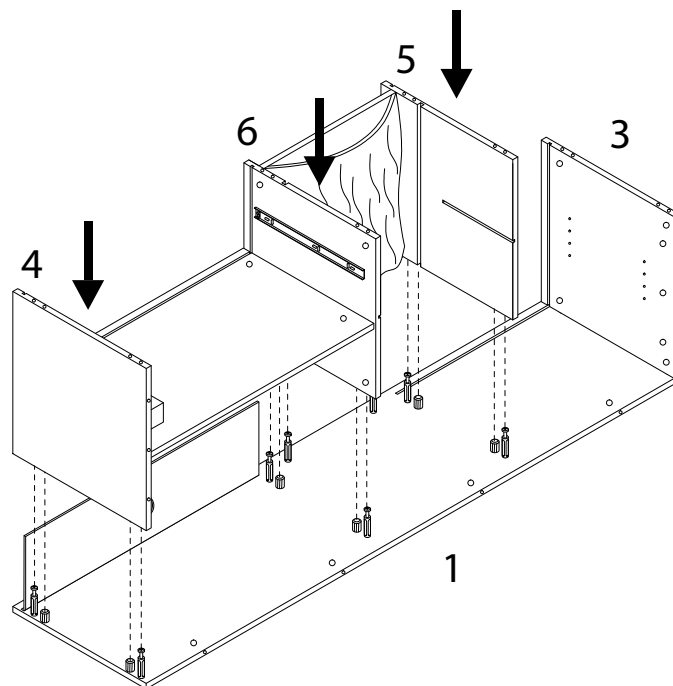
B



x 2



17

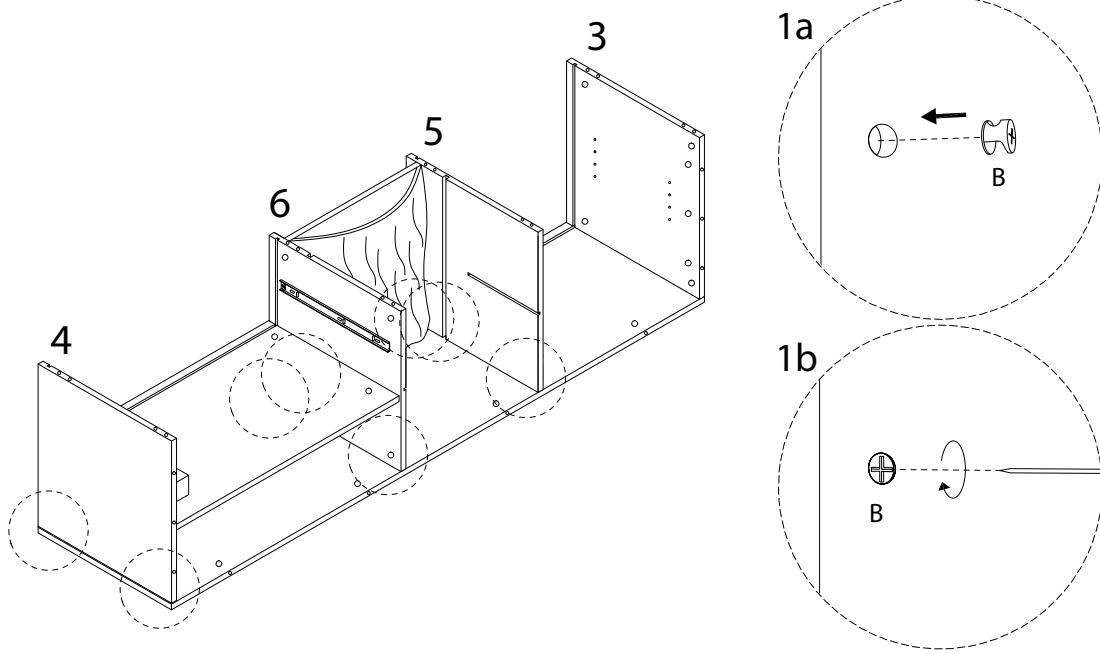


18

B



x 8



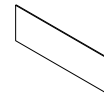
19

11

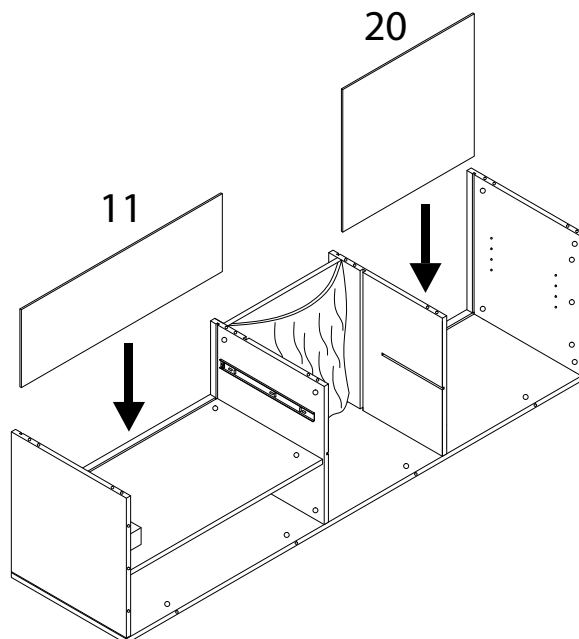


x 1

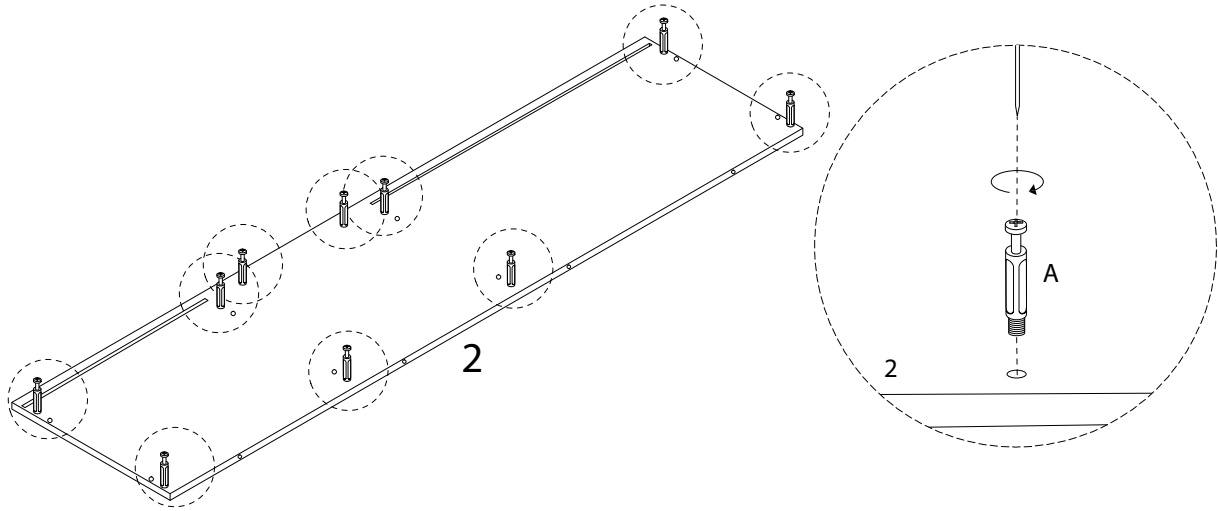
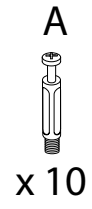
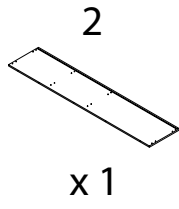
20



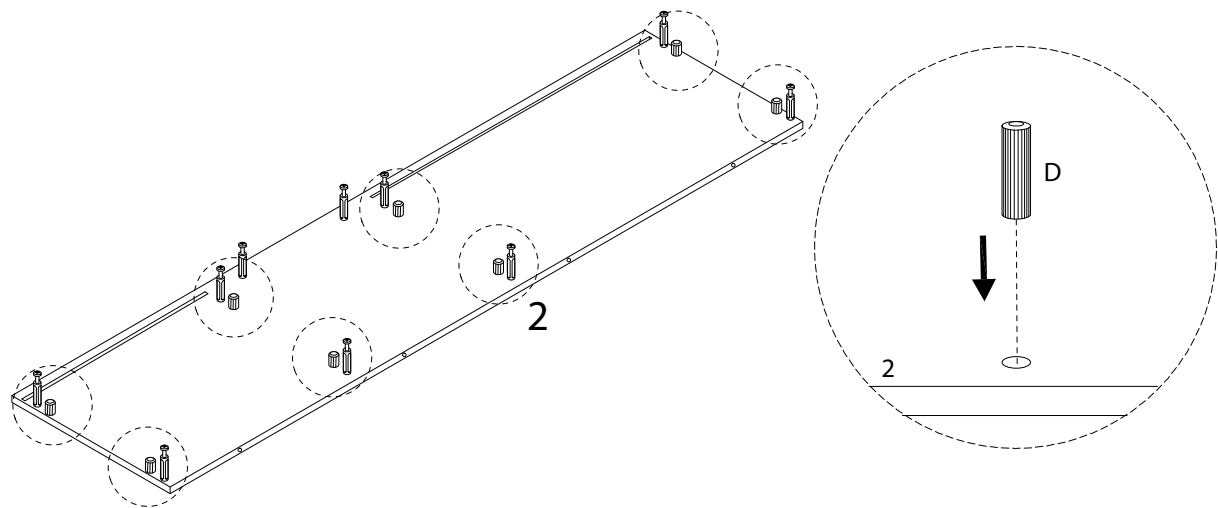
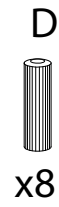
x 1



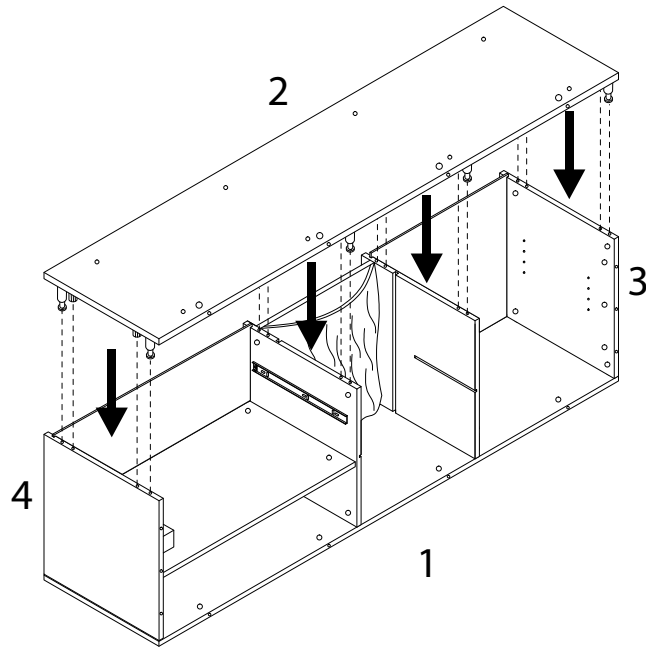
20



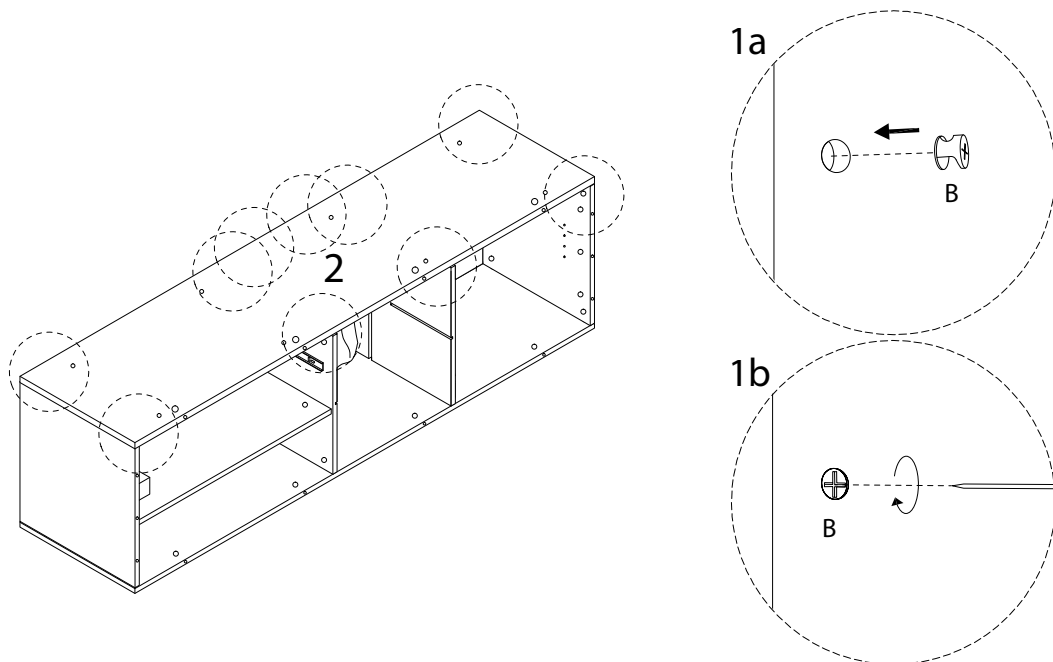
21



22



23



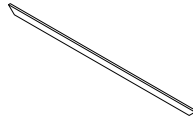
24

17



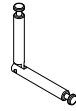
x 2

18

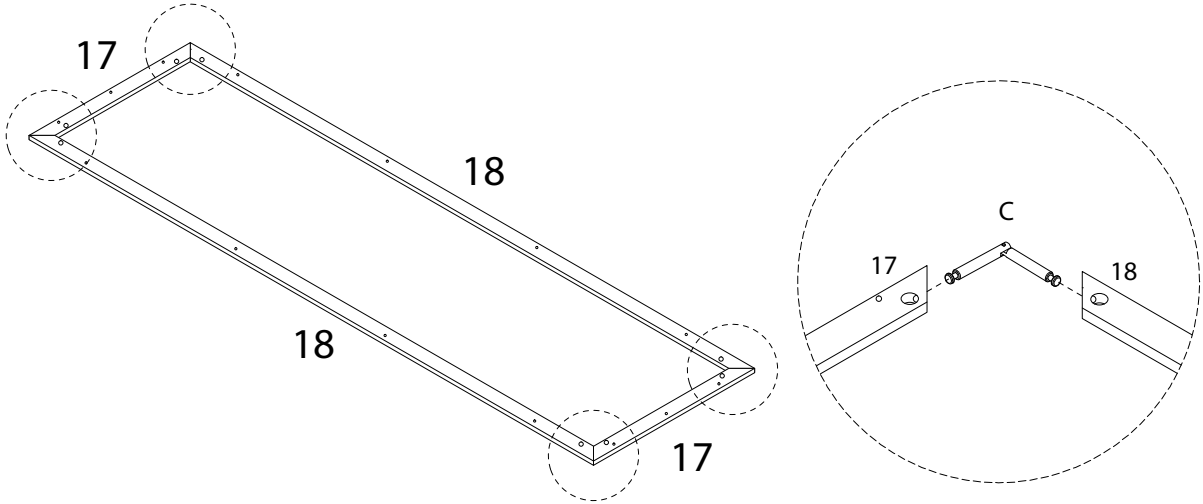


x 2

C



x 4

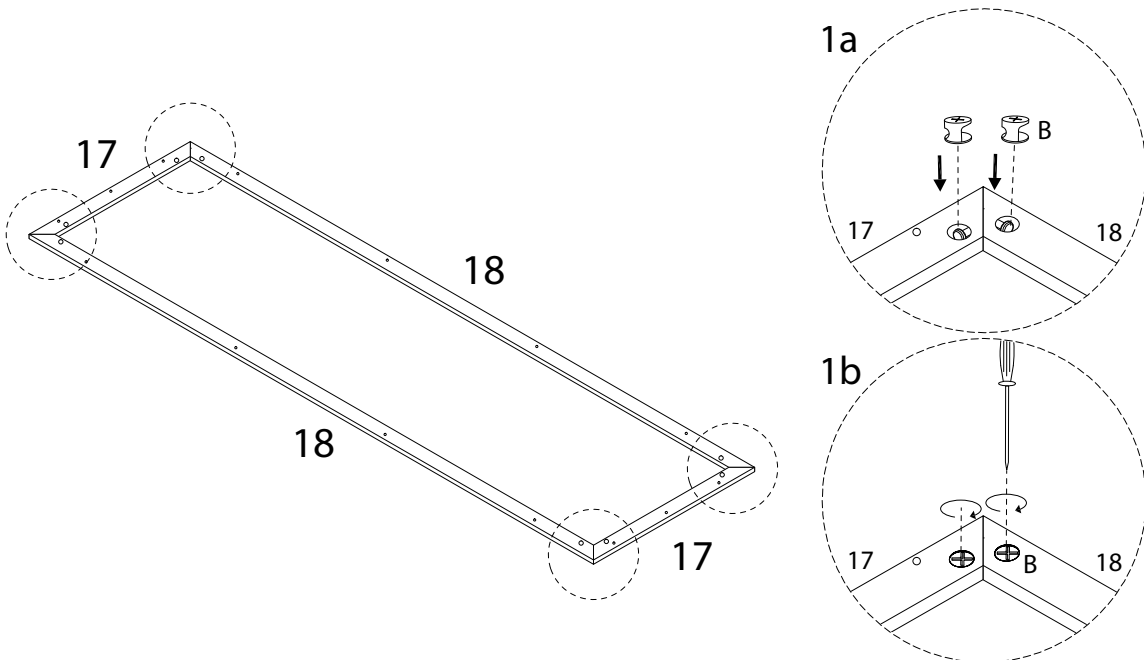


25

B

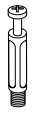


x 8

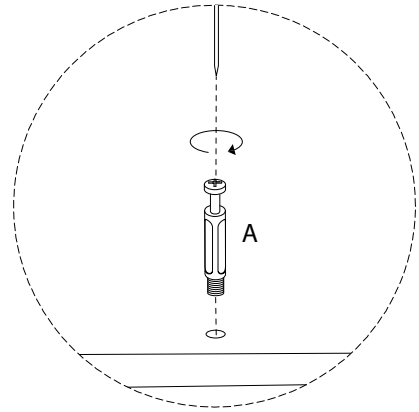
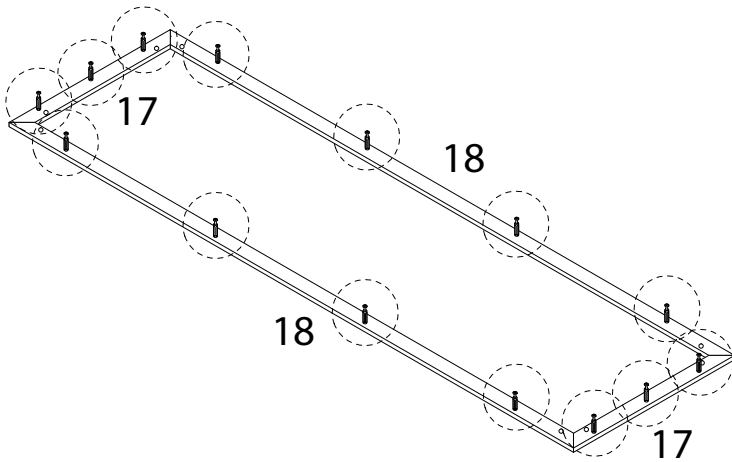


26

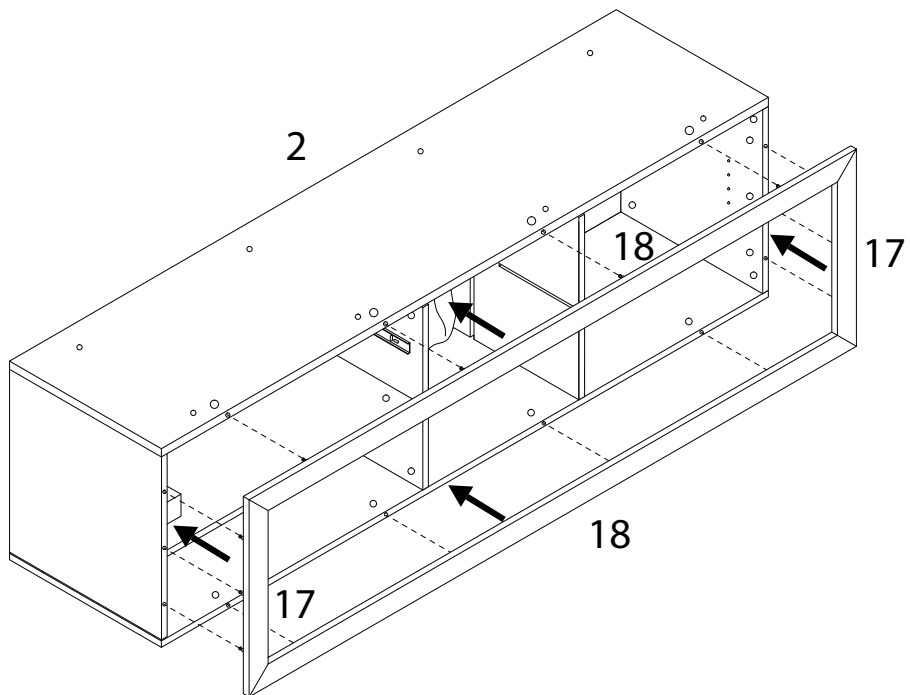
A



x 14



27

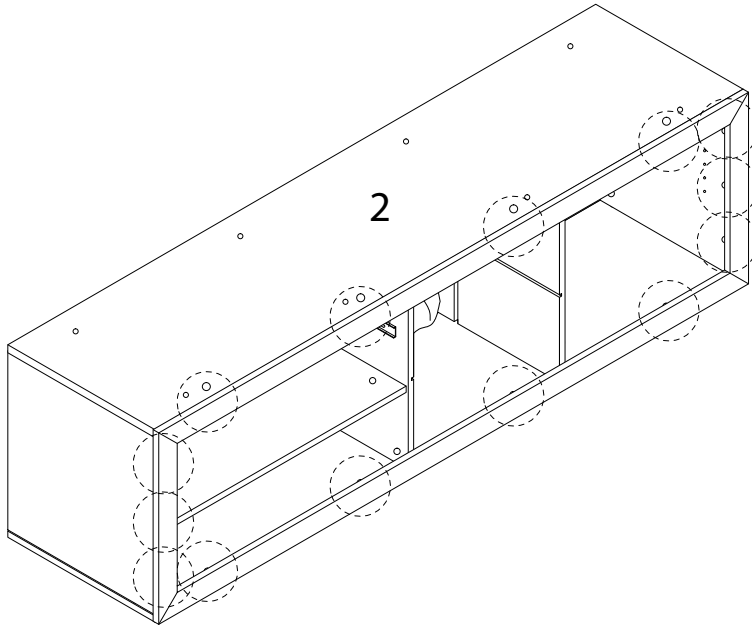


28

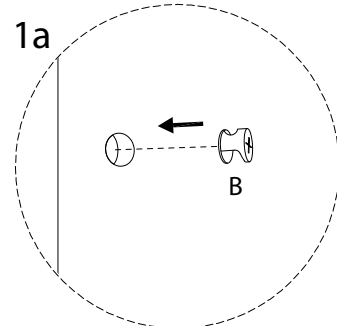
B



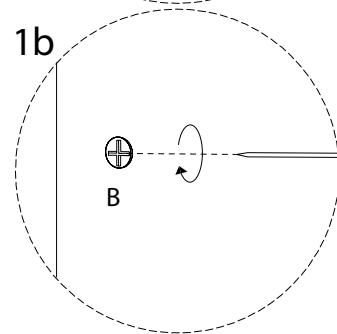
x 14



1a

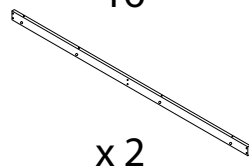


1b



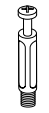
29

16

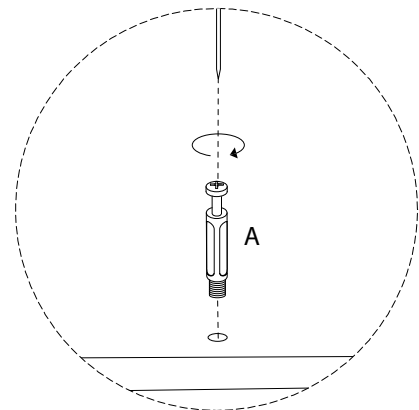
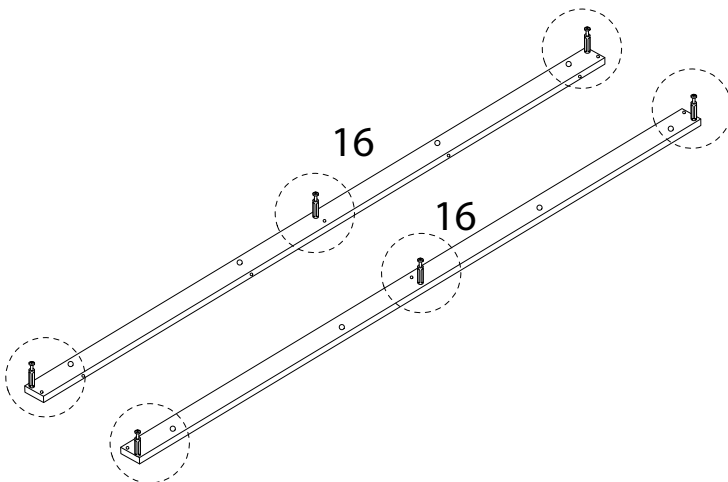


x 2

A



x 6

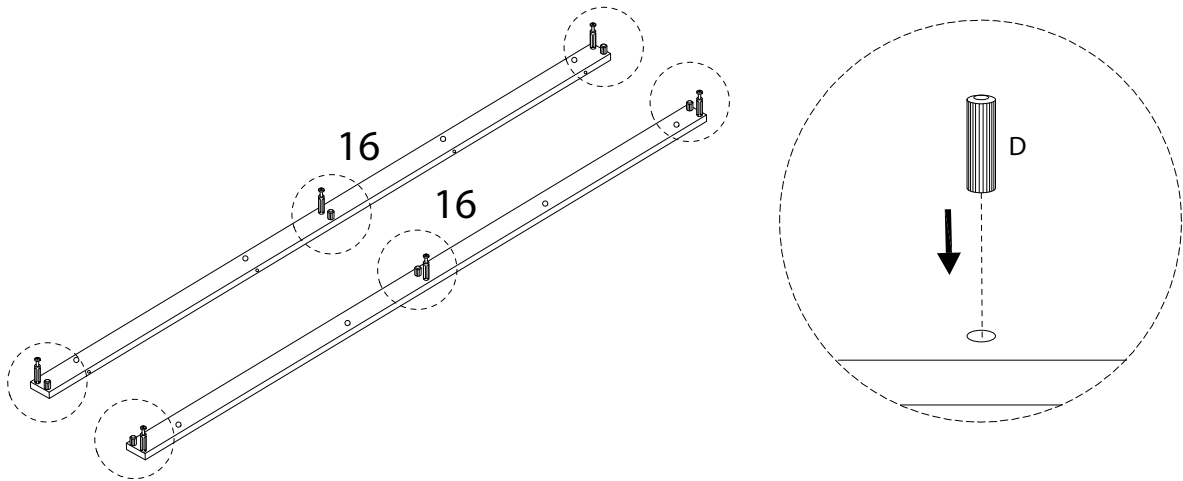


30

D

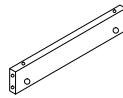


x 6

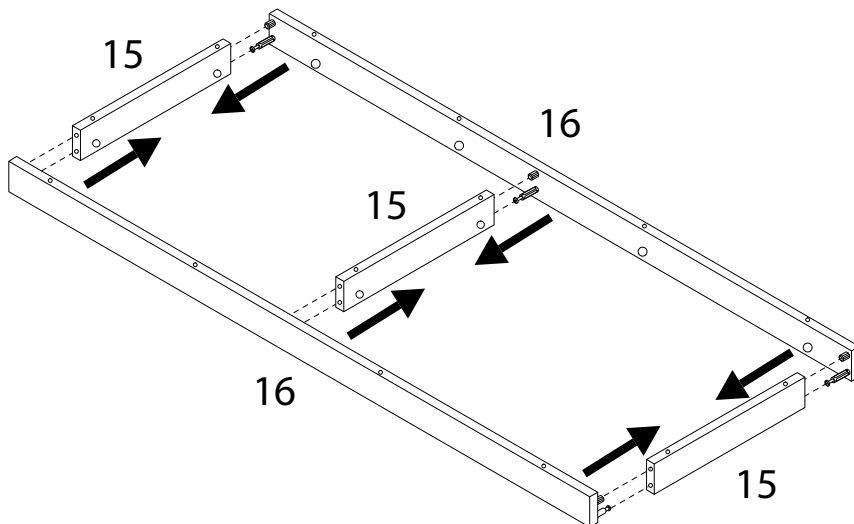


31

15



x 3

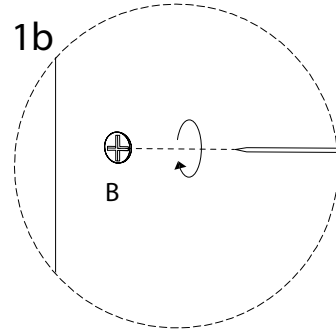
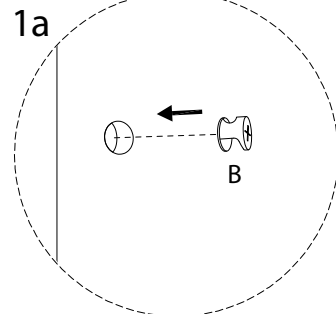
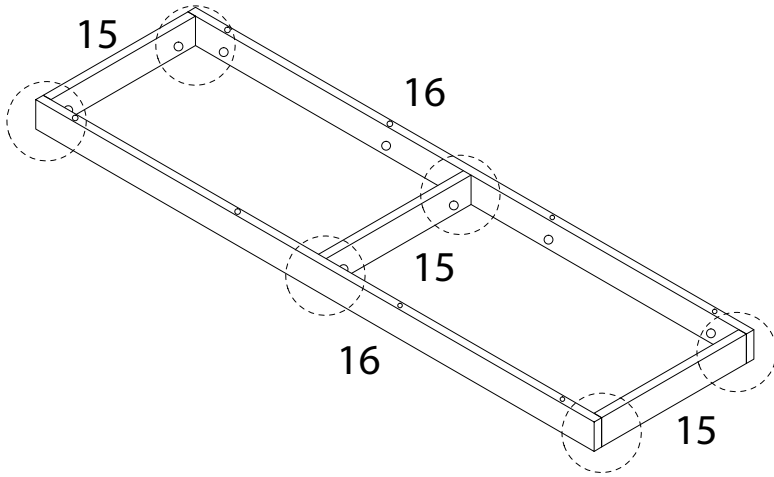


32

B



x 6

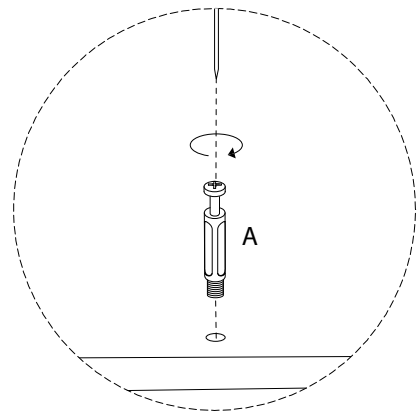
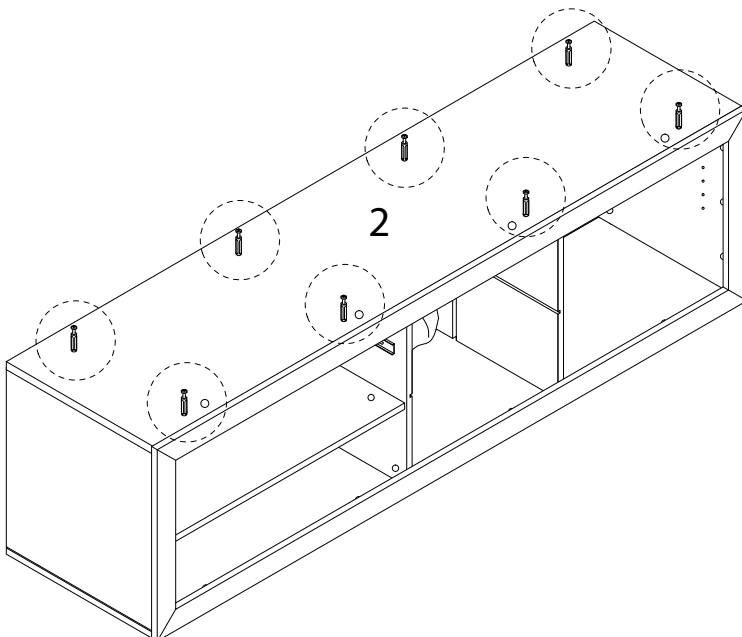


33

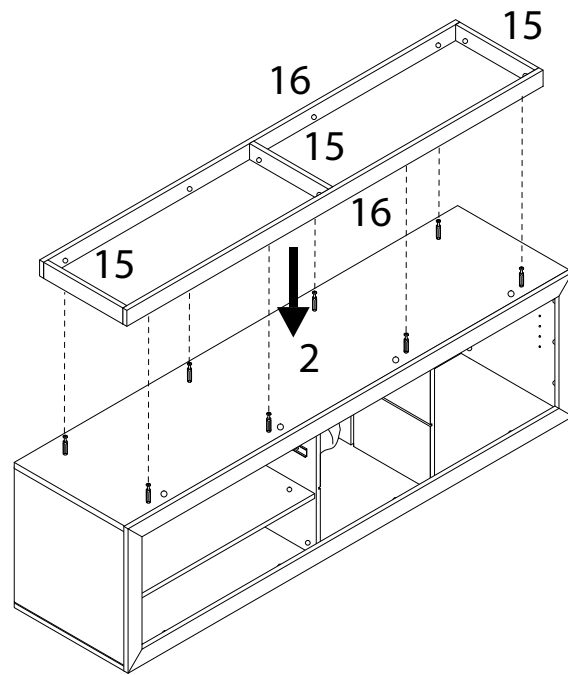
A



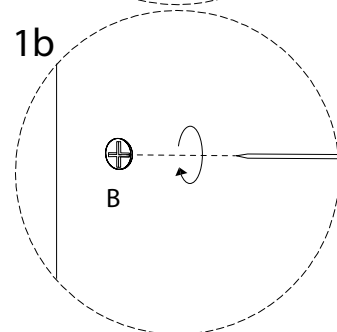
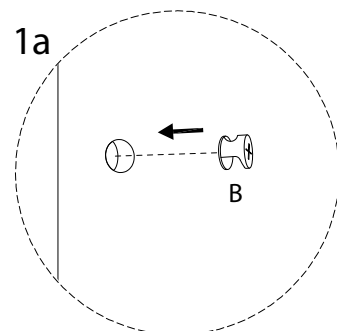
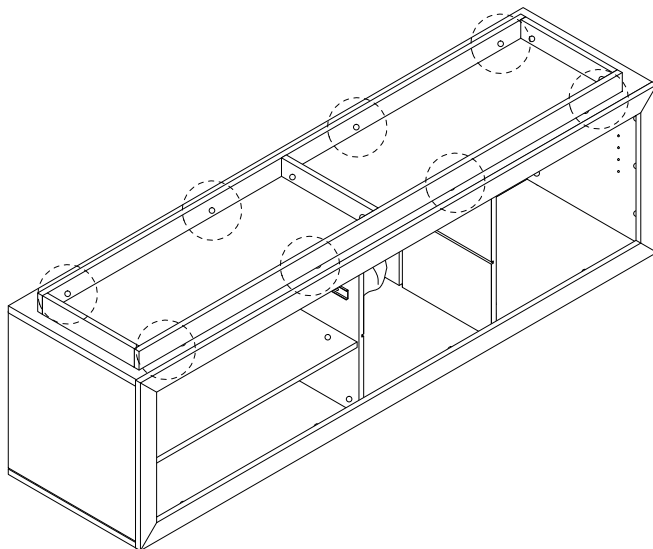
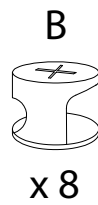
x 8



34

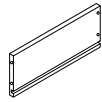


35



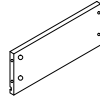
36

21



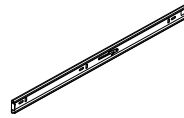
x 1

22



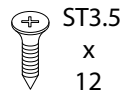
x 1

P2



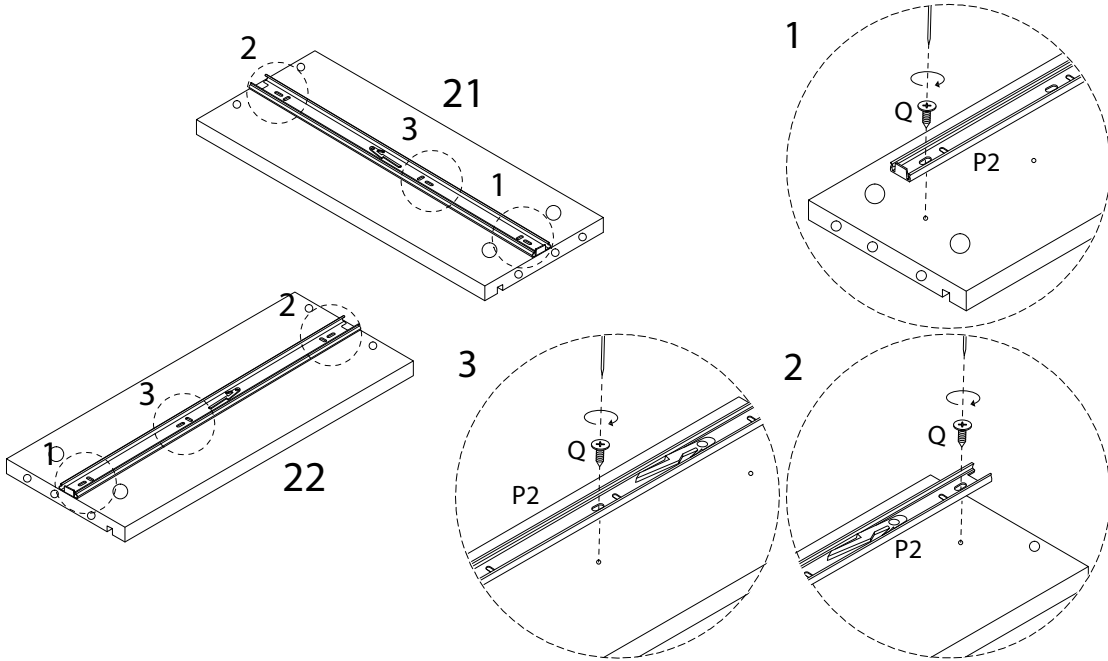
x 2

Q



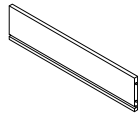
ST3.5  
x  
12

x 6



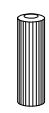
37

23

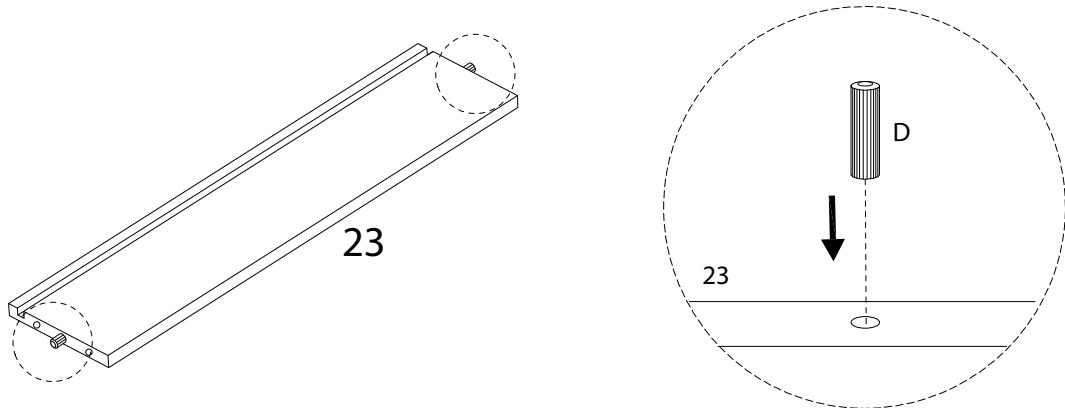


x 1

D

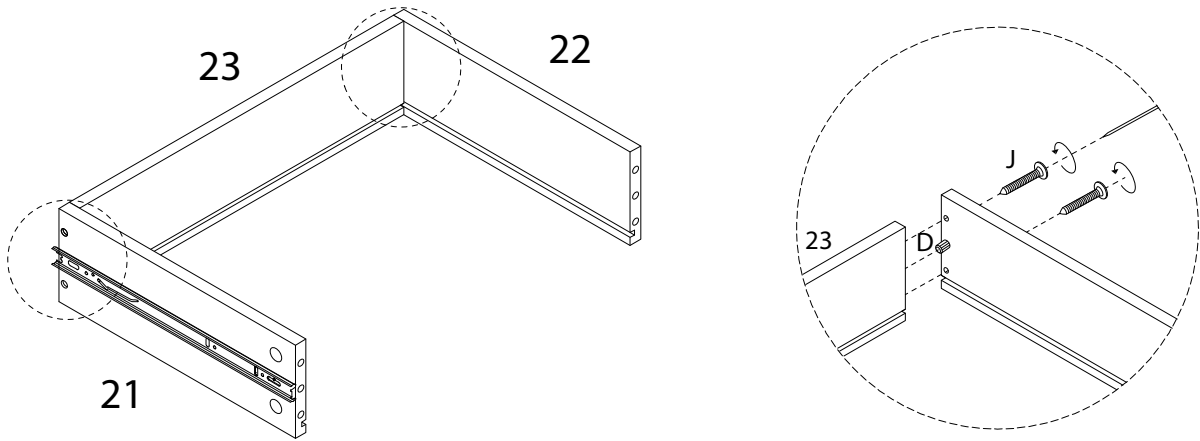


x 2



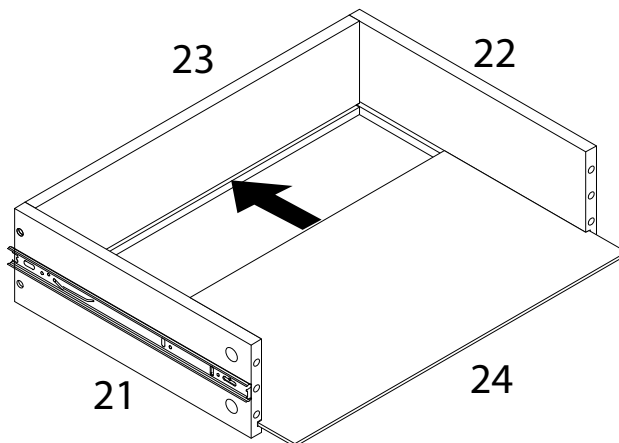
38

J  
ST4  
x  
35  
x 4

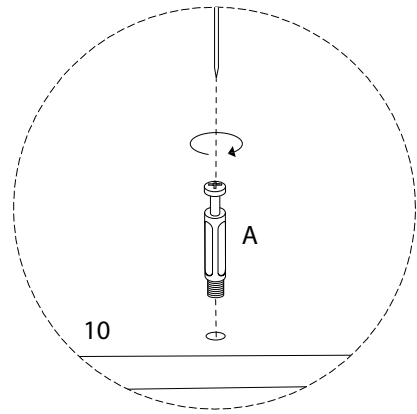
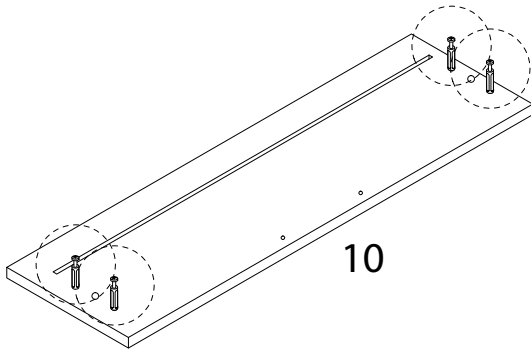
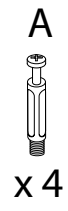
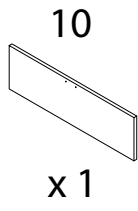


39

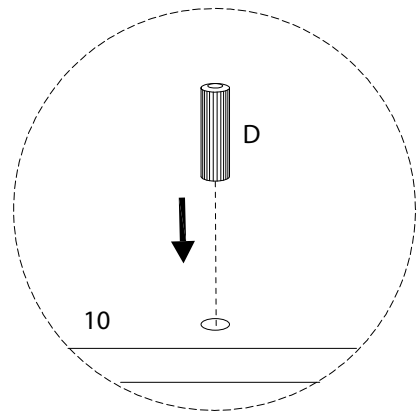
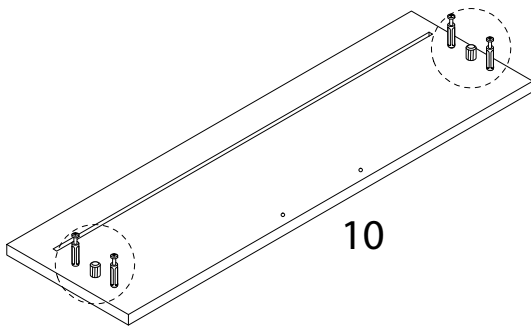
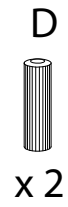
24  
x 1



40



41

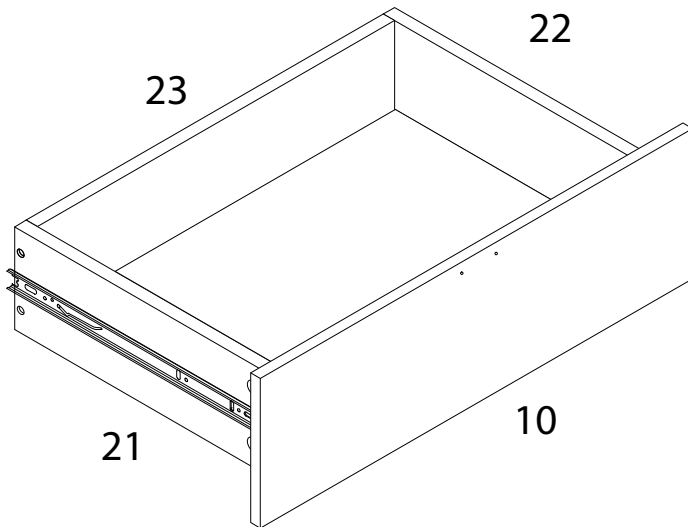


42

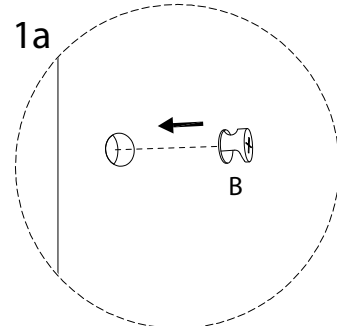
B



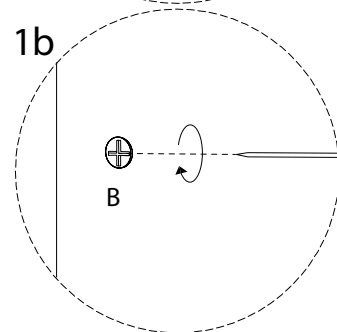
x 4



1a

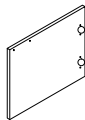


1b



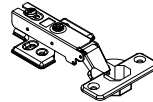
43

9



x 1

F

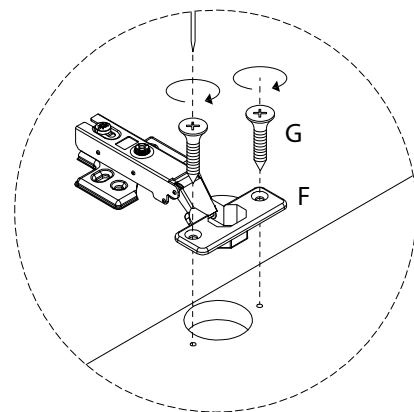
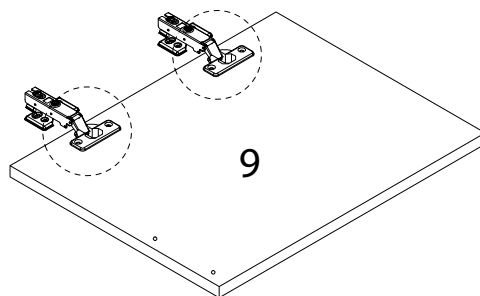


x 2

G



x 4

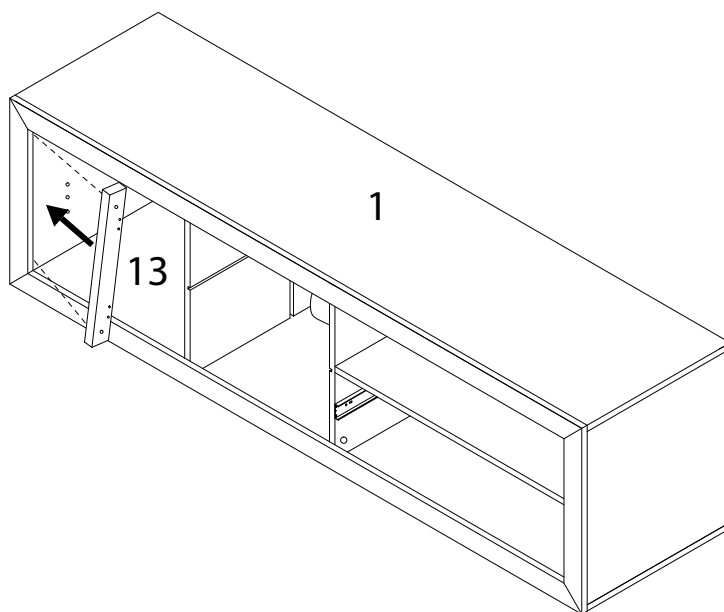


44

13



x 1

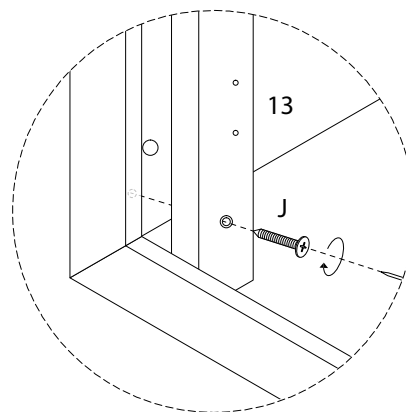
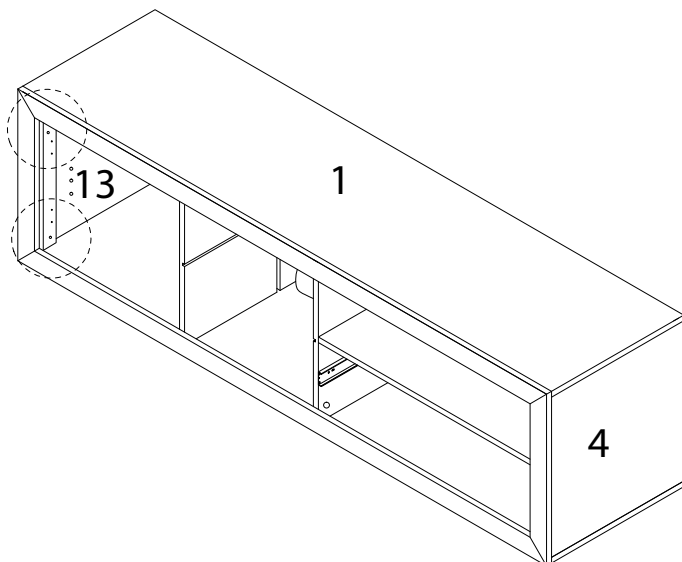


45

J

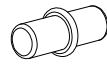


x 2

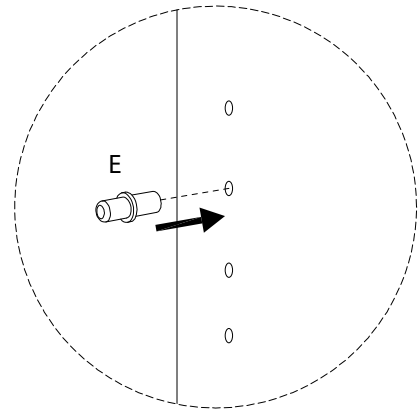
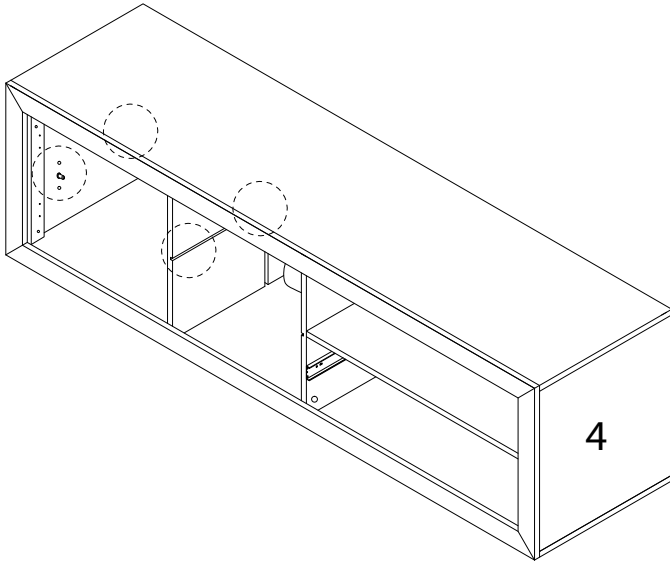


46

E



x 4

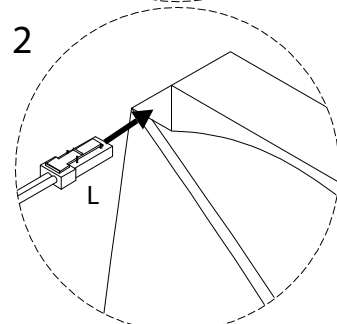
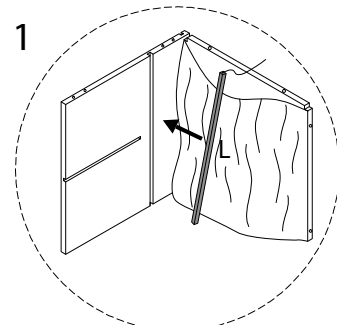
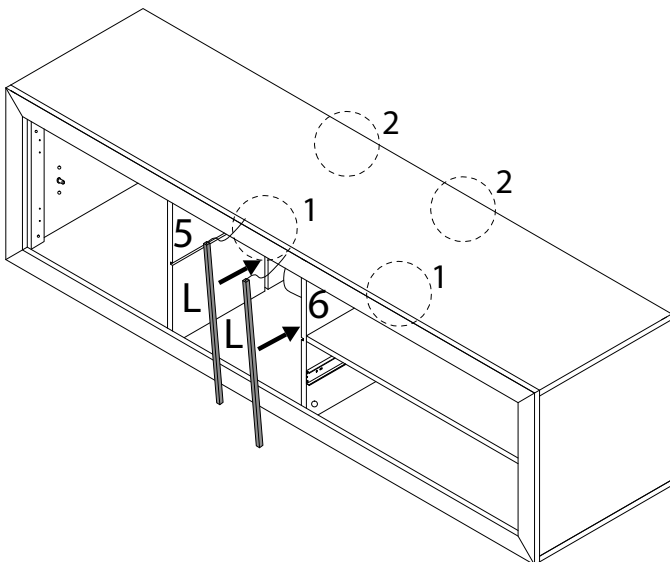


47

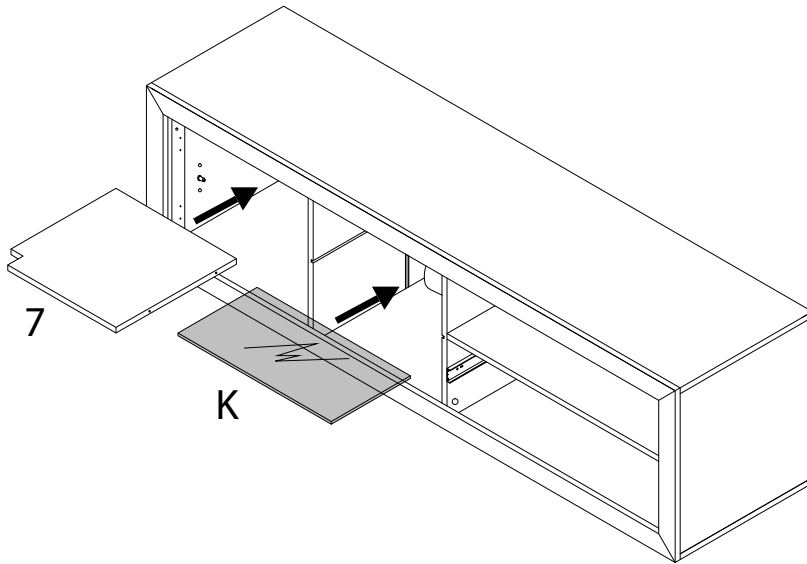
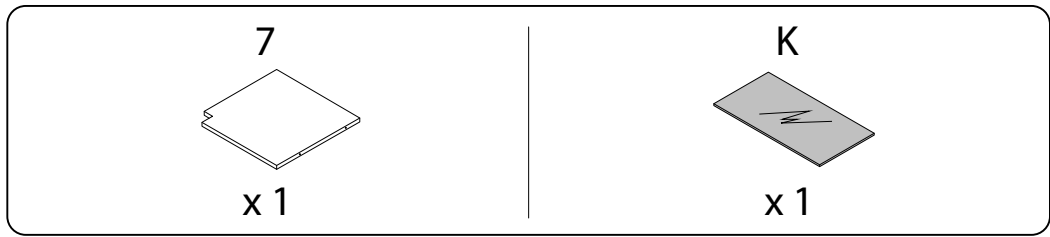
L



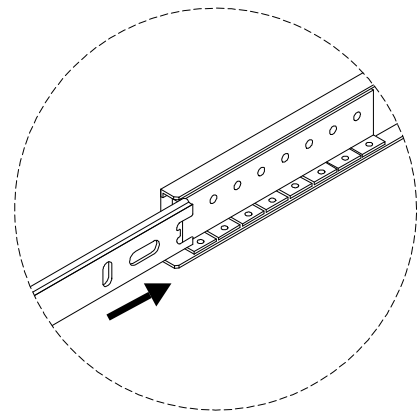
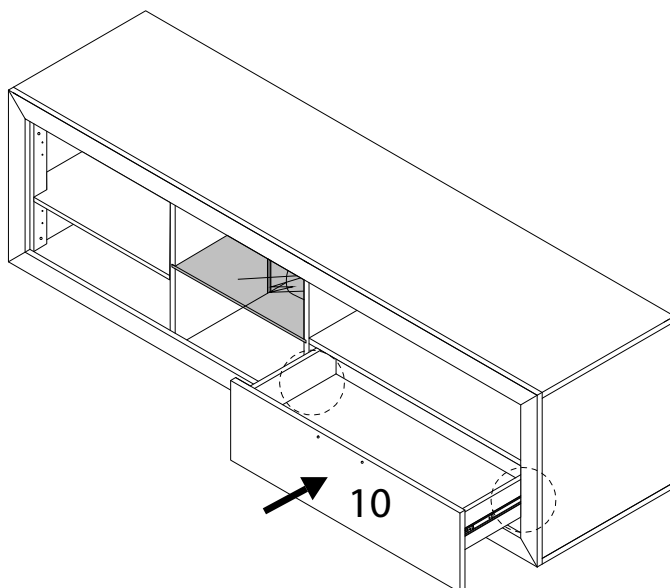
x 2



48



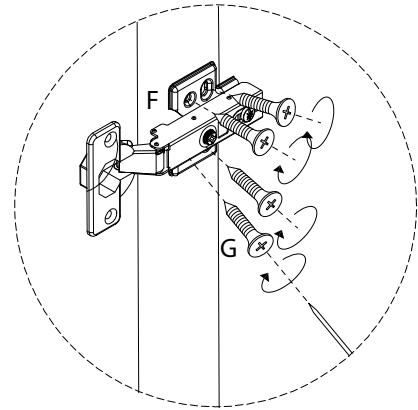
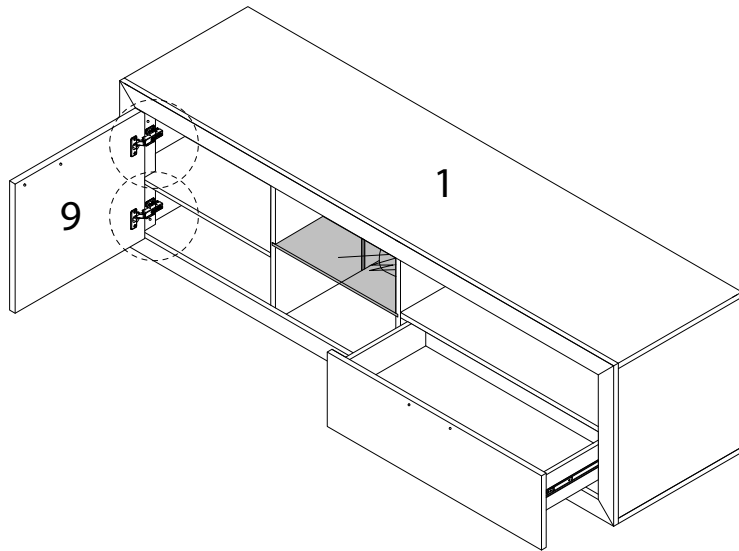
49



50

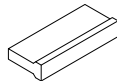
G

ST4  
x  
16  
x 12



51

H



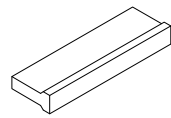
x 1

I

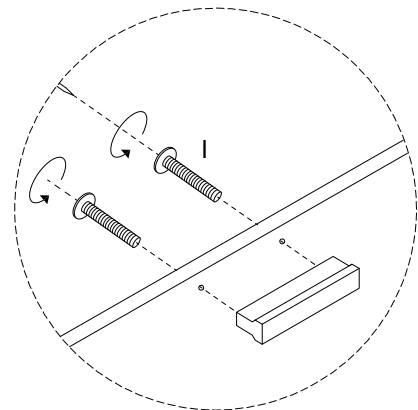
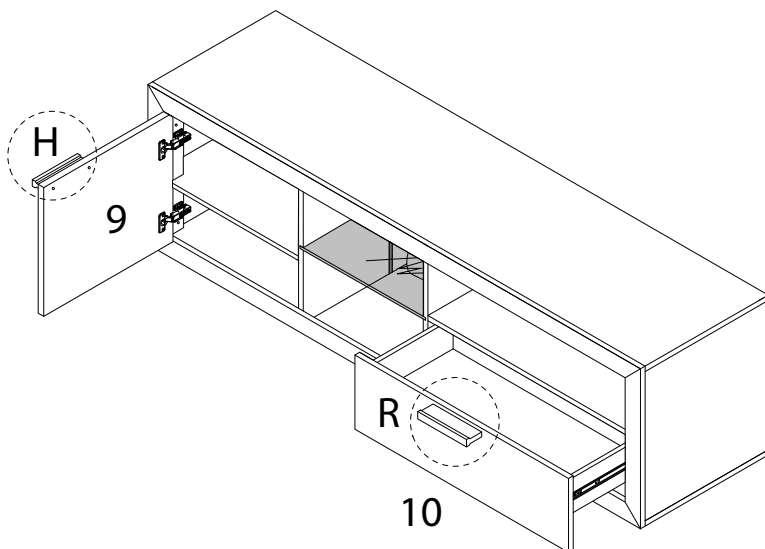


x 4

R



x 1



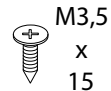
52

V1

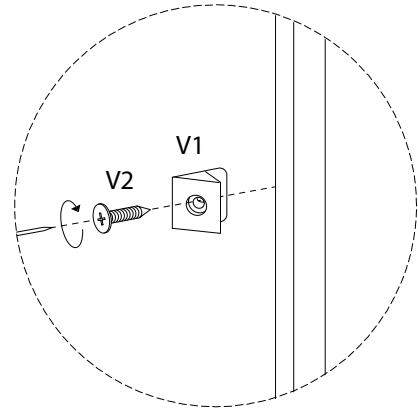
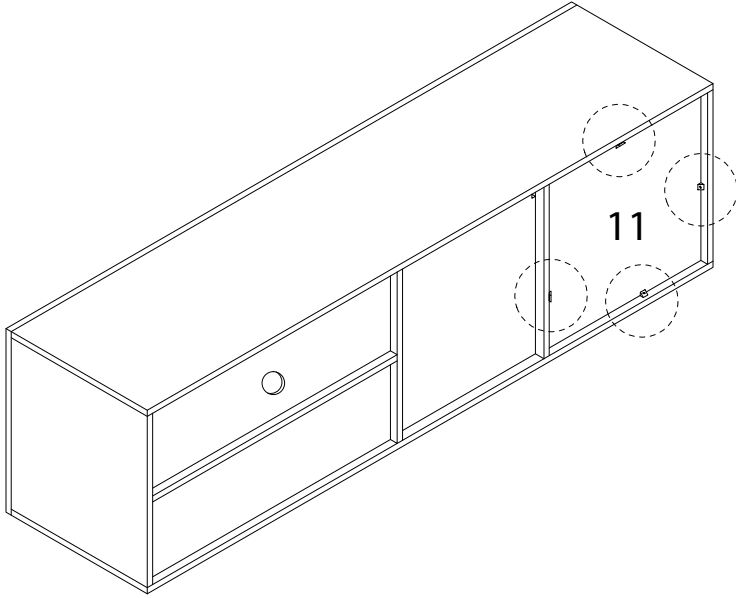


x 4

V2

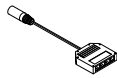


x 4



53

S



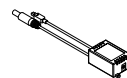
x 1

T

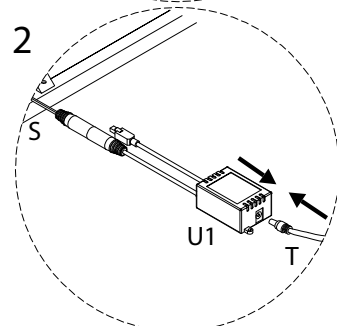
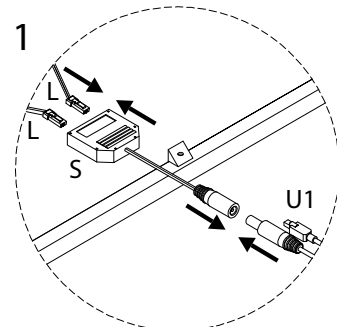
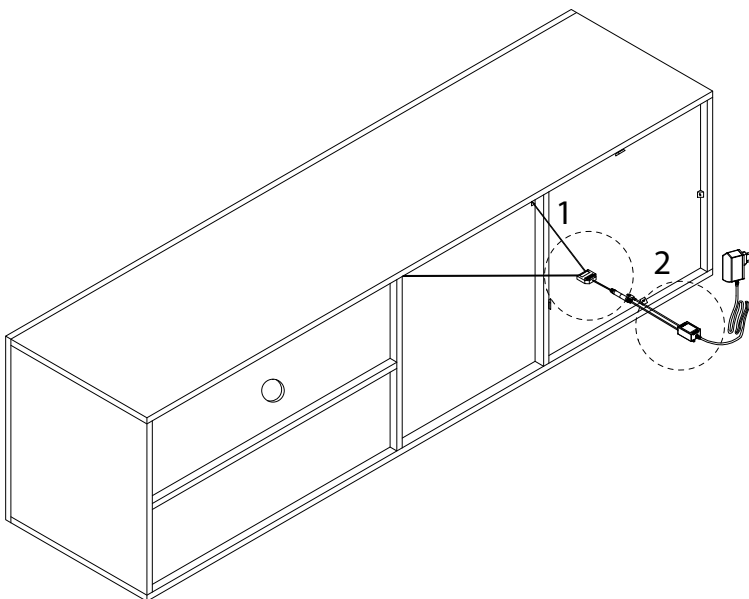


x 1

U1



x 1



54

