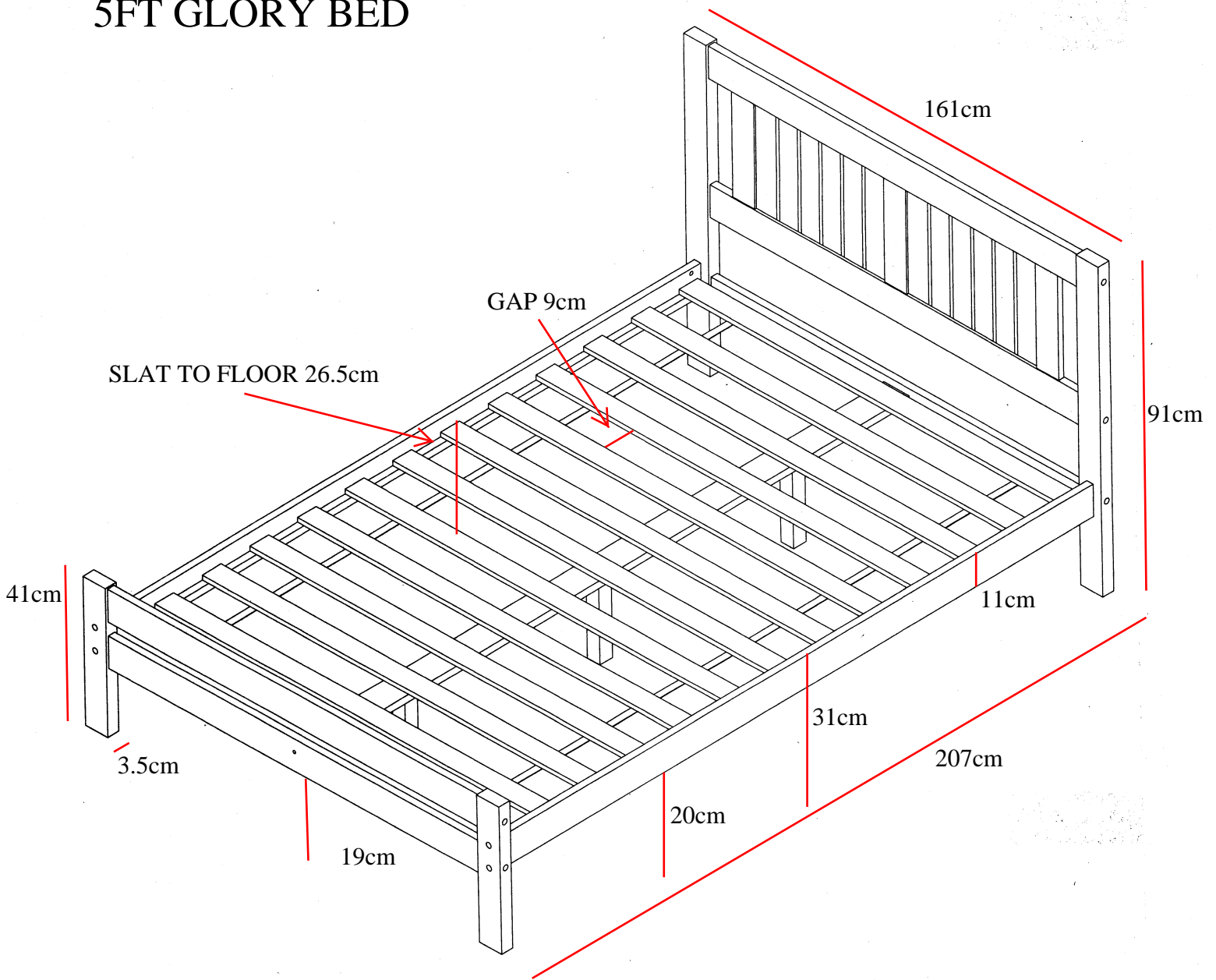


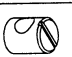


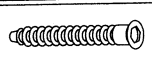




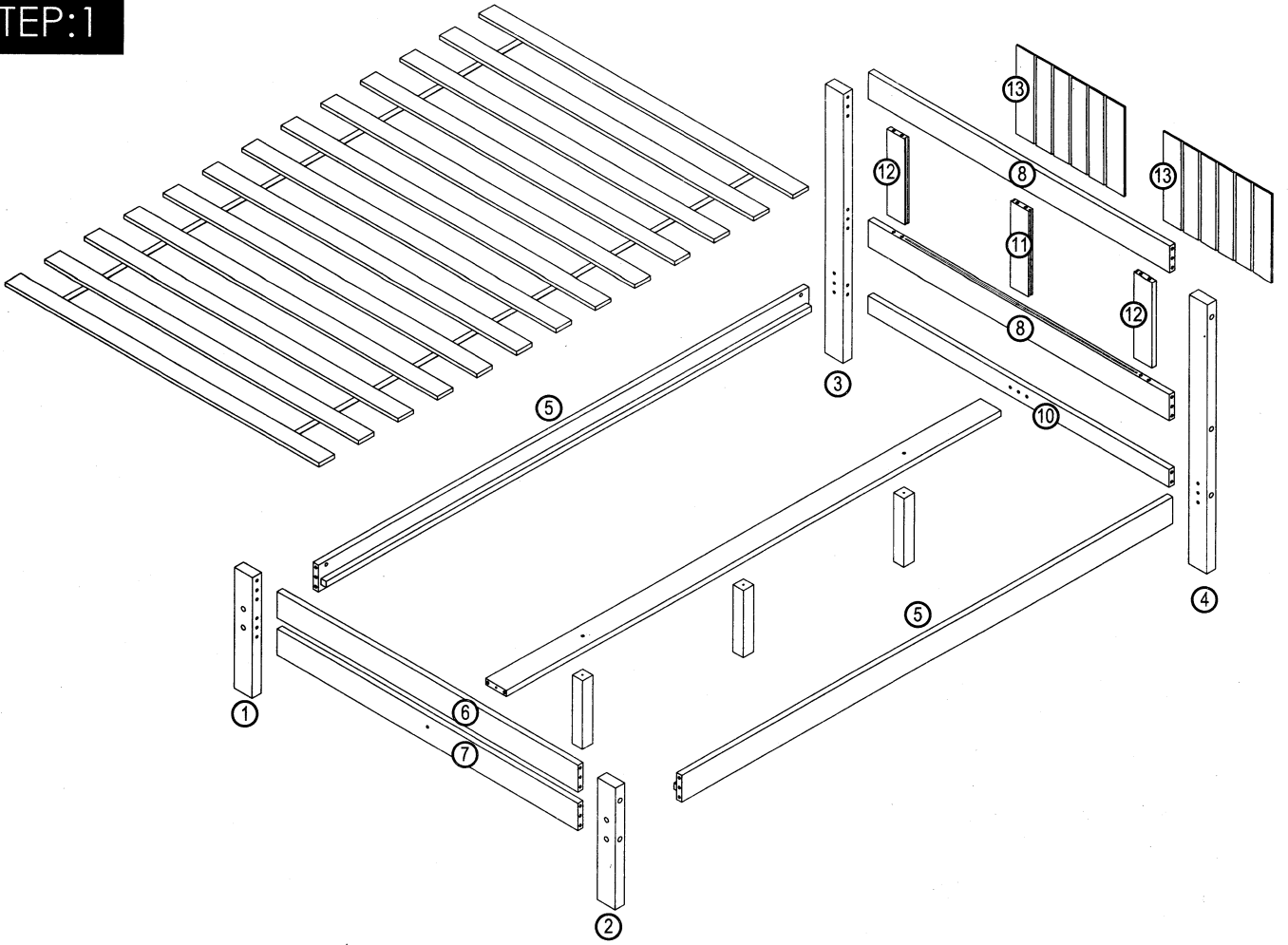


5FT GLORY BED

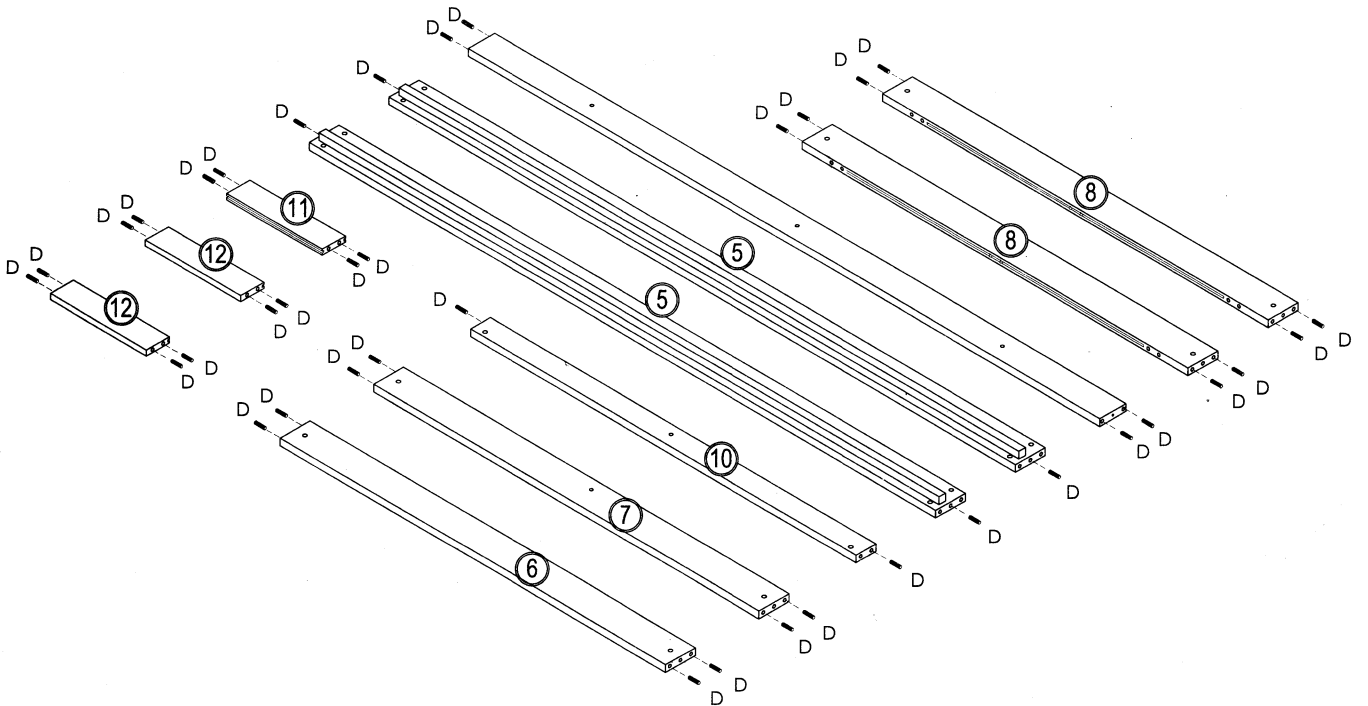



A		M6*100	10
B		M6*70	8
C			18
D		Φ8*30	38
E		Φ6*70	2
F		Φ7*50	3
G		4*30	26
H		Φ12	2
J		Φ15	18
K		4 mm	1

STEP:1

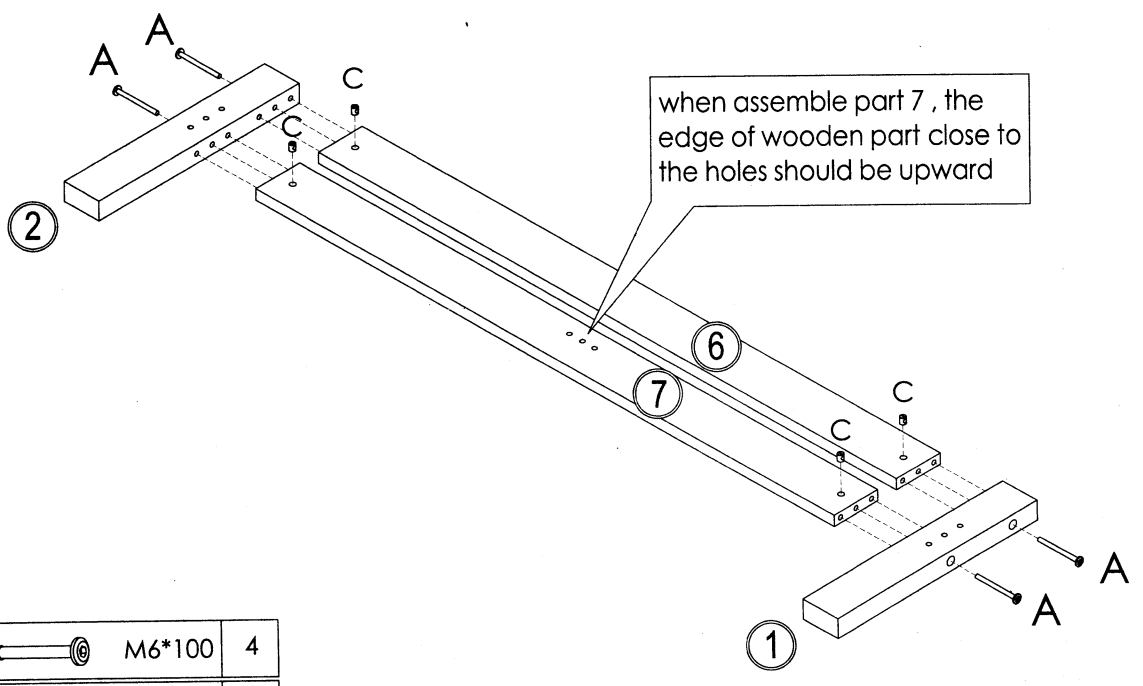




STEP:2



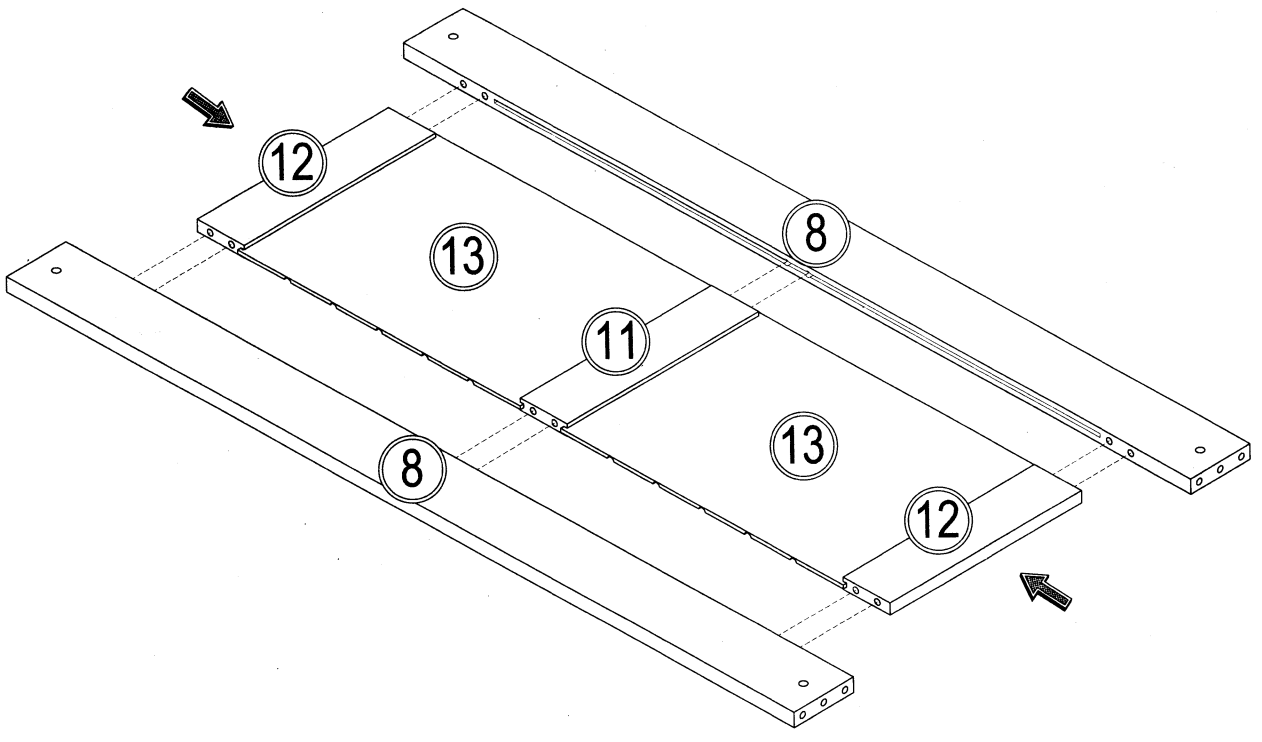
D		Φ8*30	38
---	---	-------	----

STEP:3

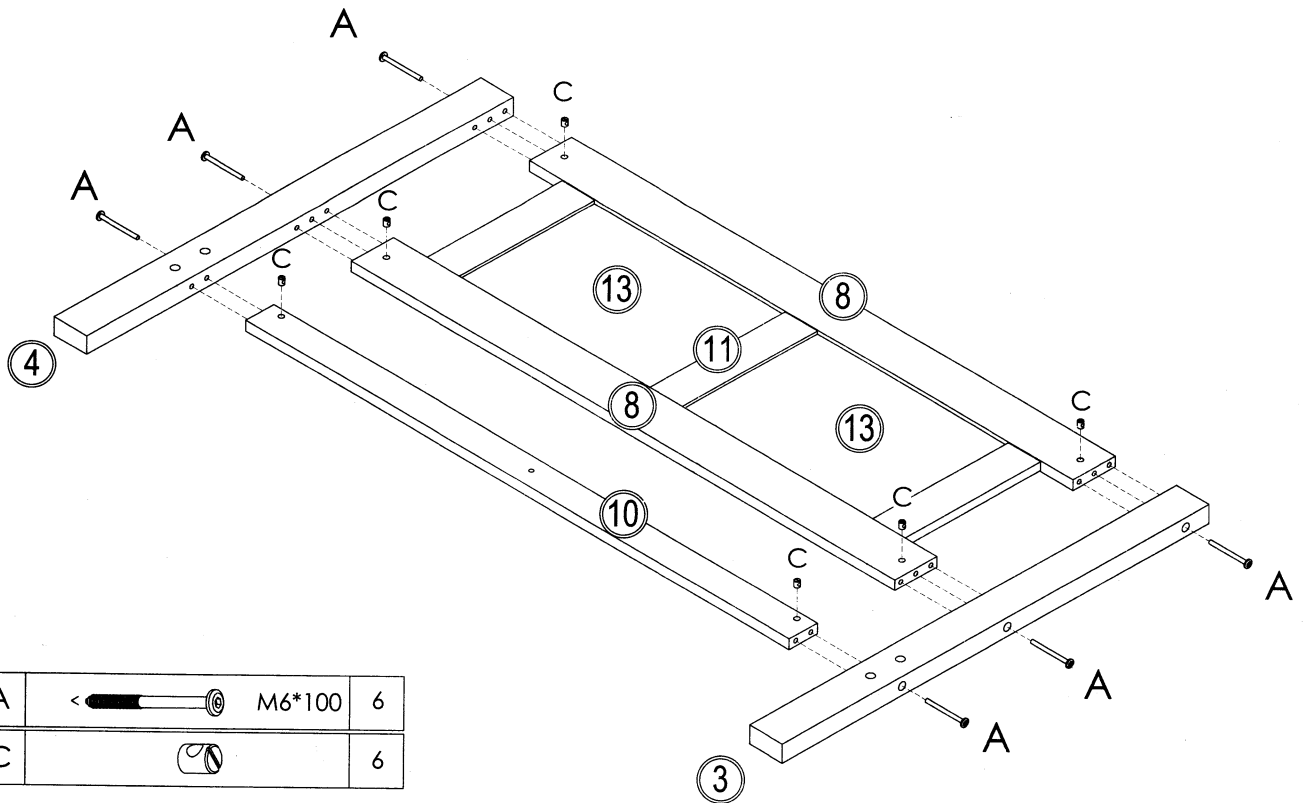




A		M6*100	4
C			4

STEP:4

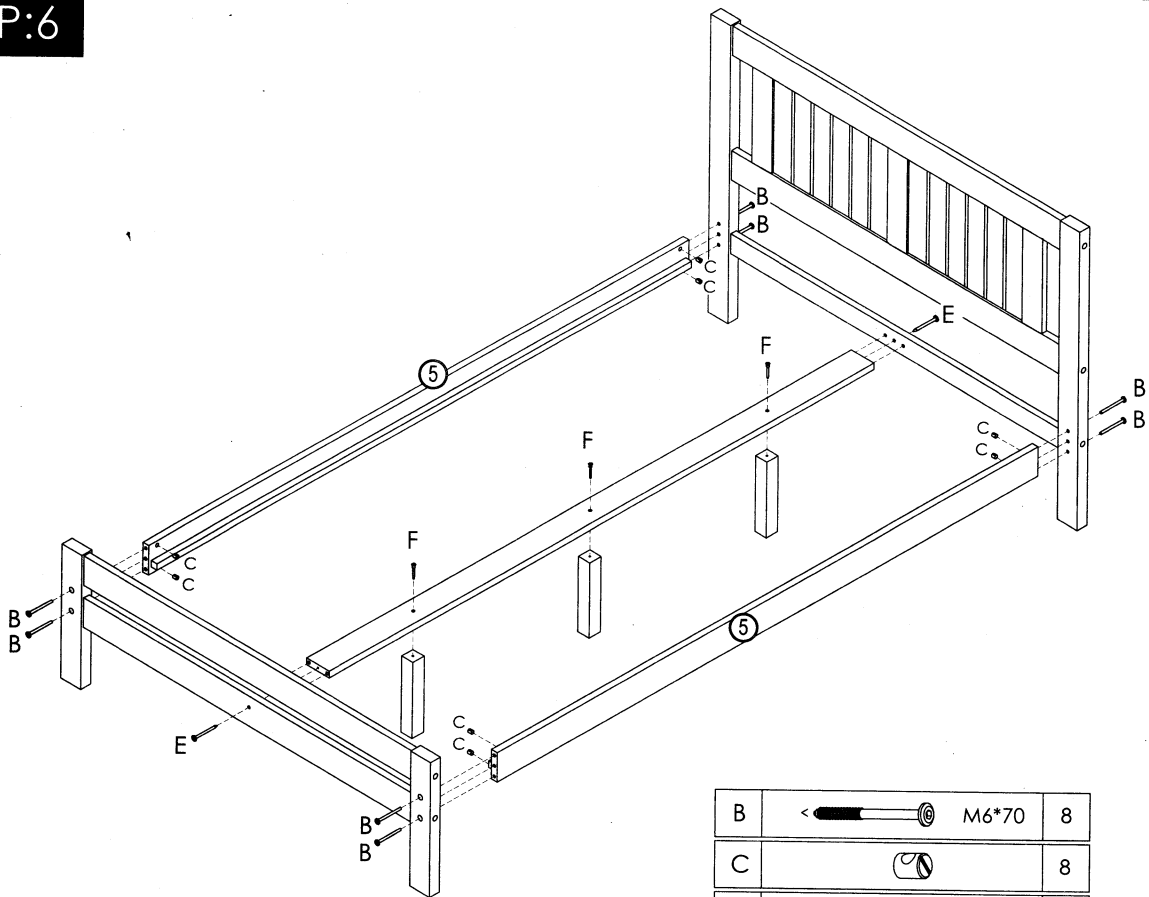




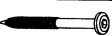

STEP:5



A		M6*100	6
C			6

STEP:6



B		M6*70	8
C			8
E		Φ6*70	2
F		Φ7*50	3