

Step4



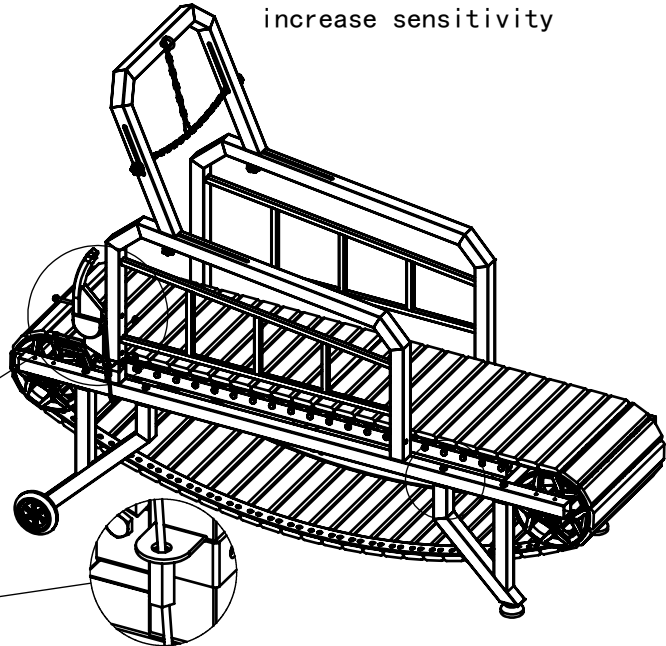
Debugging completed



If the brake is not responsive, adjust the screw to elongate the wire and increase sensitivity



Initialstate



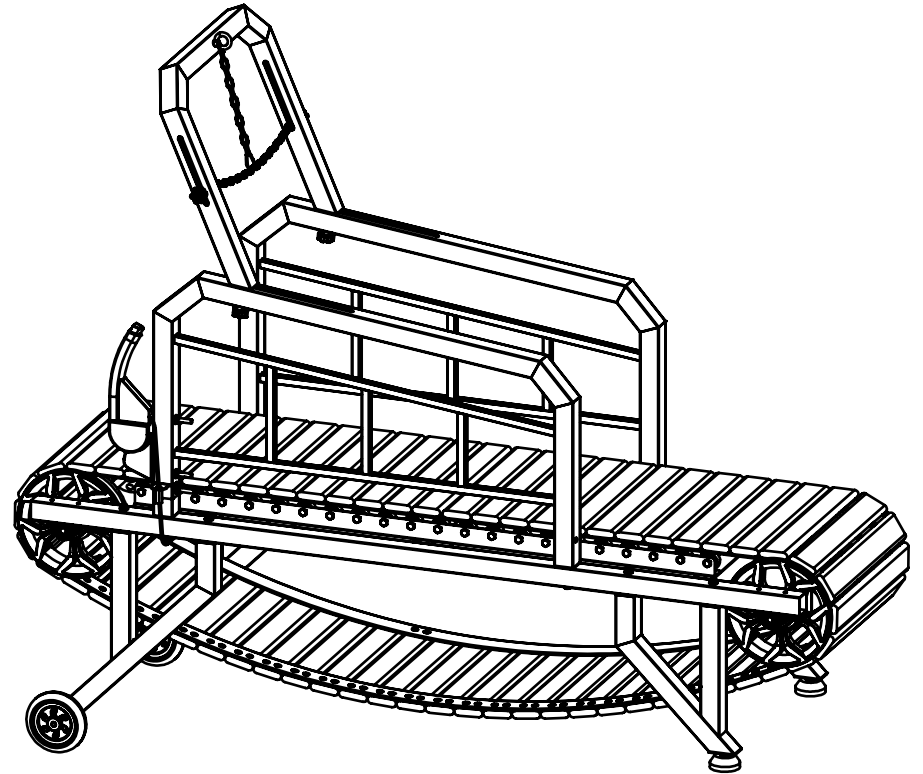
M8*50

M8

Adjust the brake tightness through screws

Pet treadmill

Assembly Instructions -Please keep for future reference



GDT001-1B0A0
medium size

GDT001-1C0A0
large size

Width - 190 CM

Depth - 140 CM

Height - 67 CM

Width - 175 CM

Depth - 140 CM

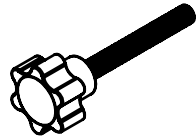
Height - 58 CM

Any question please feel free to contact us:support@albott-us.com
We will provide further assistance within 24 hours

Important -Please read these instructions fully before starting assembly

Product assembly instructions

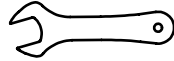
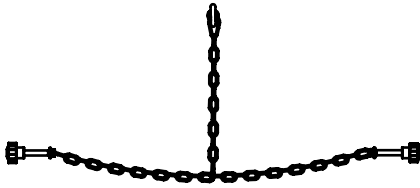
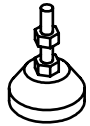
1. Check if the accessories are complete before assembly
2. Refer to the assembly steps to complete this
3. Ensure that the product screws are securely locked before use



M8*50-15pcs (+1)

M8*60-2pcs

M8-3pcs (+1)

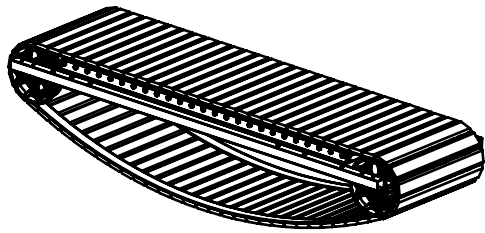


M8*30-4pcs

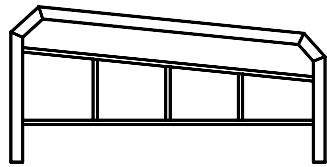
1PCS
Chain components

1pcs

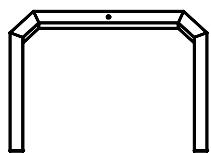
1pcs



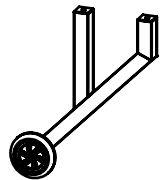
A-1PCS



B-2PCS

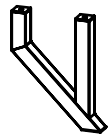


C-1PCS



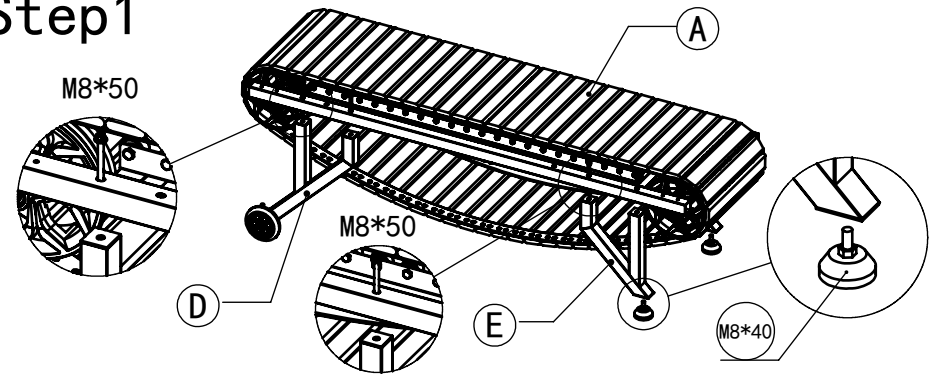
D-2PCS

2-4

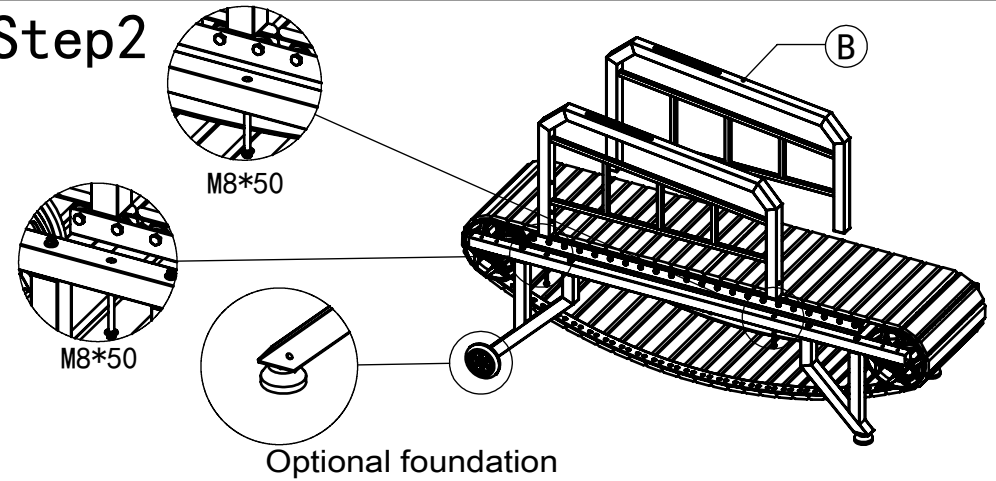


E-2PCS

Step1

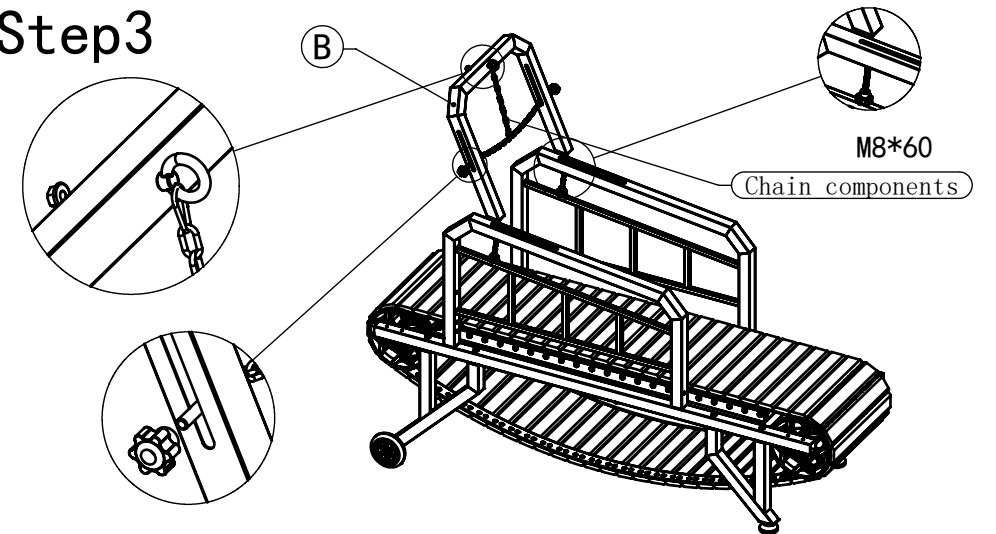


Step2



Optional foundation

Step3



3-4