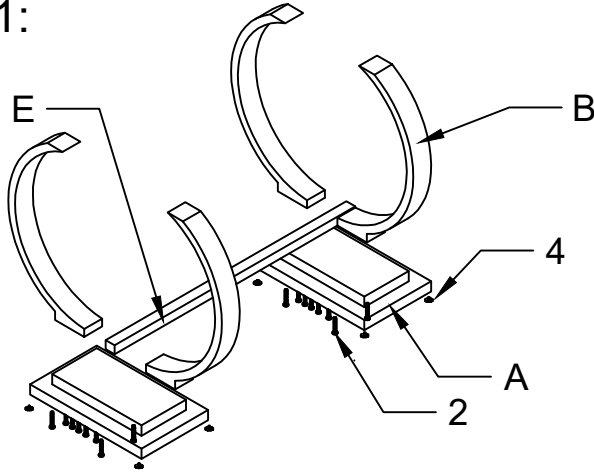


ASSEMBLY INSTRUCTION FOR ACME FURNITURE

Model: #68250

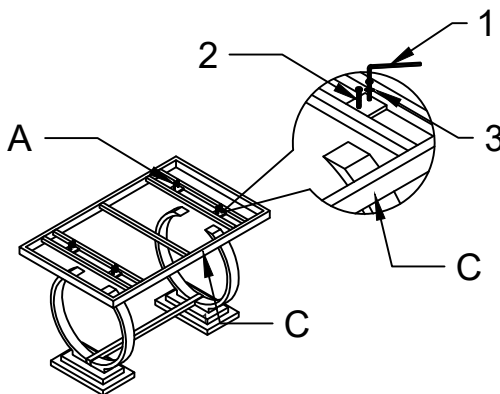
Thank you for purchasing this quality product, be sure to check all the packing materials carefully. When you received, please pay attention to the products, which may cause deformed during the shipment.

step 1:

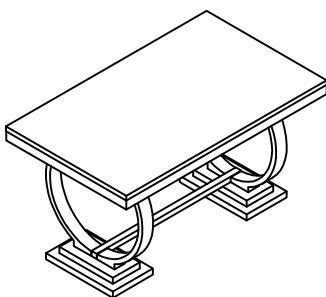


Fit the adjust legs (4) to bottom base, Connect Stainless steel base (A) and Connect rod (E) with Screw (G) connection, then the Stainless steel base (A) and Stainless steel pillar (B) with Screw (2) connection.

step 2:



Connect the Table top frame (C) to the Stainless steel pillar (B) with a screw.



Finished

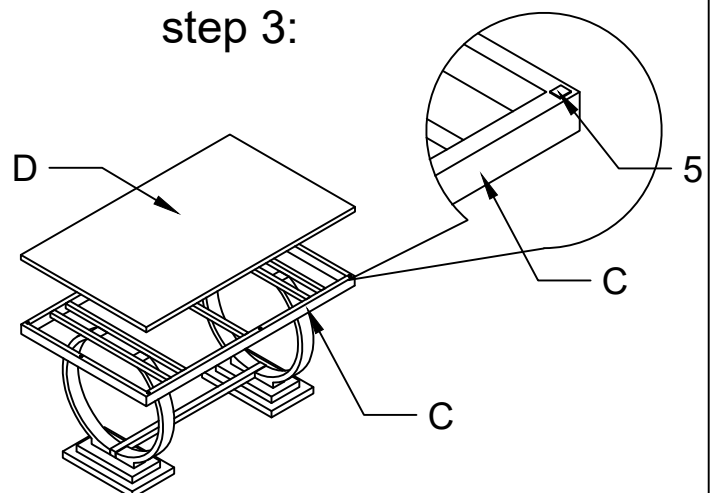
PART LIST

NO.	Designation	Quantity	Diagram
A	Stainless steel base	1	
B	Stainless steel pillar	4	
C	Table top frame	1	
D	Table top	1	
E	Connect rod	1	

HARDWARE LIST

NO.	Designation	Quantity	Size	Diagram
1	Allen key	1	M5	
2	Screw	28	M8*40	
3	washer	28	Dia20mm	
4	Adjust leg	8	Dia20	
5	Mat	6	20X20	

step 3:



Put the Mat (I) on the Table top frame (C), then put the Table top (D) on the Table top frame (C), aligned four sides.