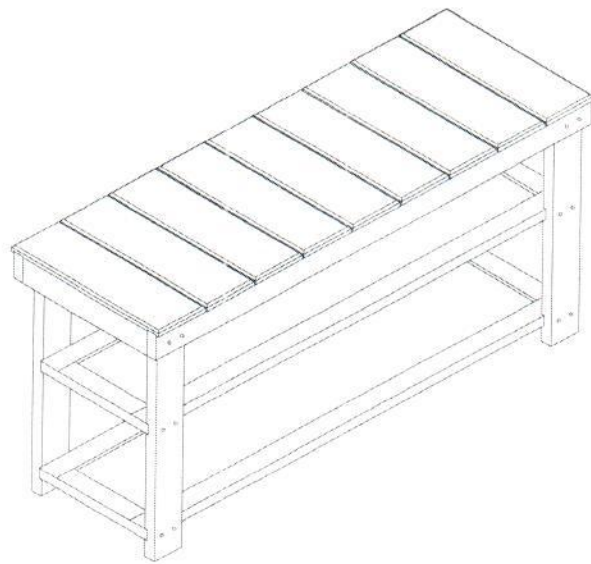


## Mud Room Utility Bench

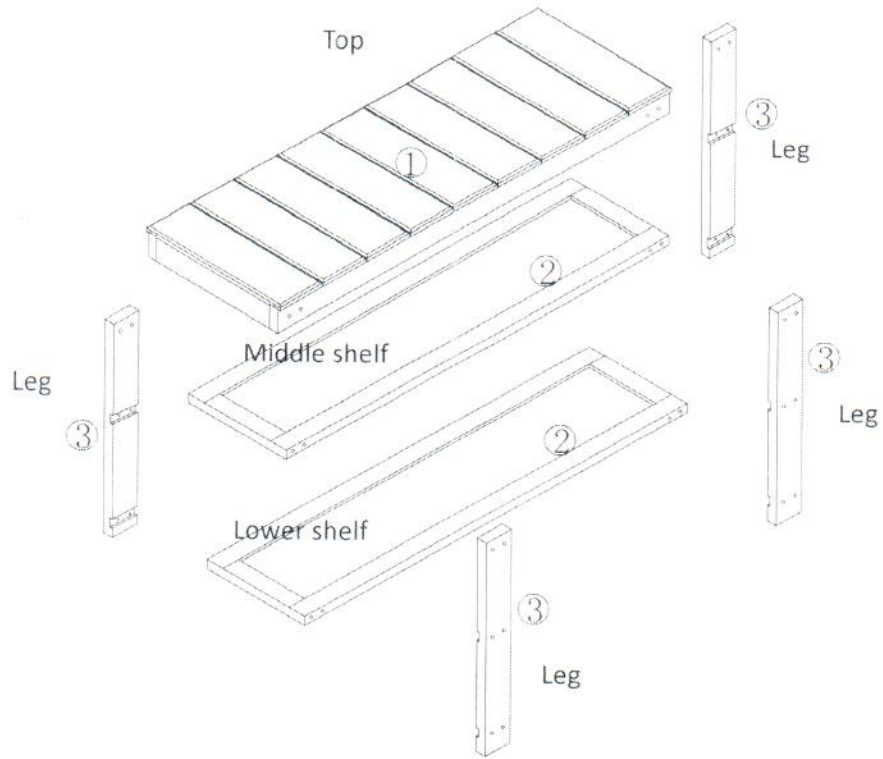


### Assembly Instructions

We have designed our furniture with you, the customer in mind. Our clear, easy to follow step by step instructions will guide you through the project from start to finish.

Feel confident that this will be a fun and rewarding project. The final product will be a quality piece of furniture that will go together smoothly and give years of enjoyment.

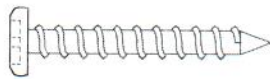
## Parts



## Hardware



A x 8  
Bolts



B x 16  
Screws



C x 8  
Washers



D x 8  
Nuts



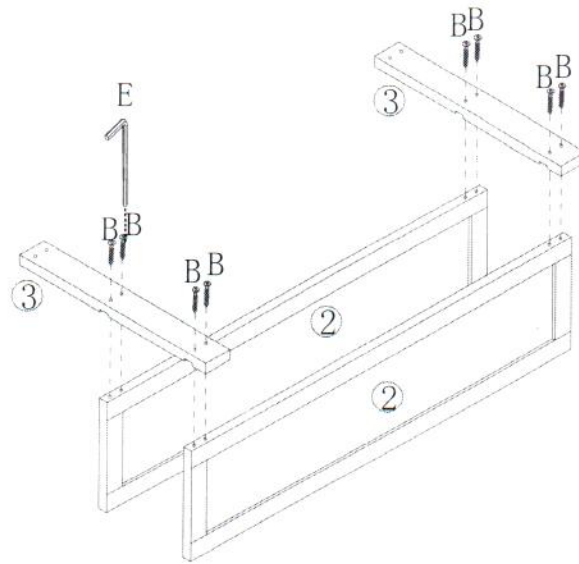
E  
Allen Wrench



F  
Wrench

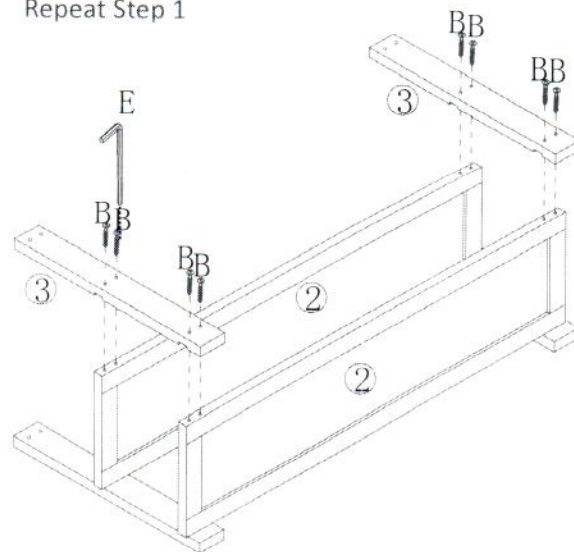
## Step 1

Attach legs (3) to middle and lower shelves (2) using screws (B).



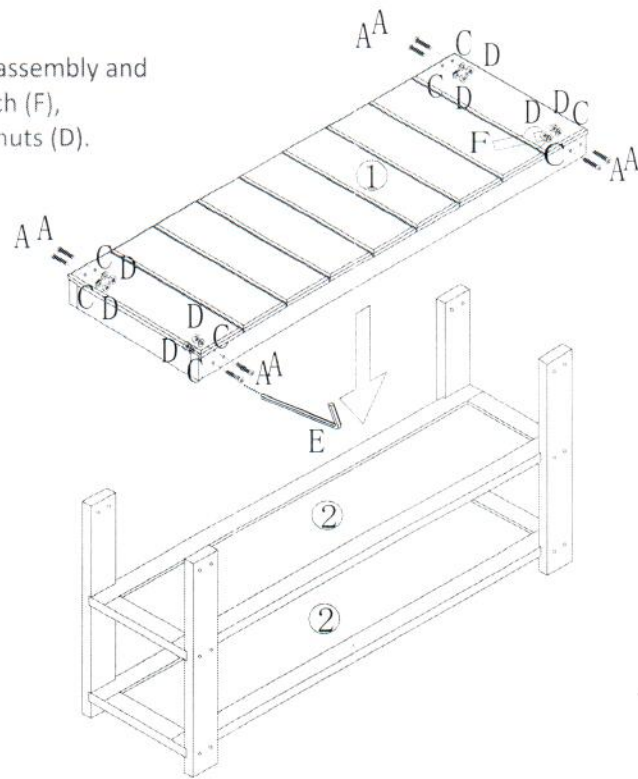
## Step 2

Repeat Step 1



### Step 3

Place top (1) onto assembly and secure using wrench (F), with bolts (A) and nuts (D).



### Step 4

Enjoy!

