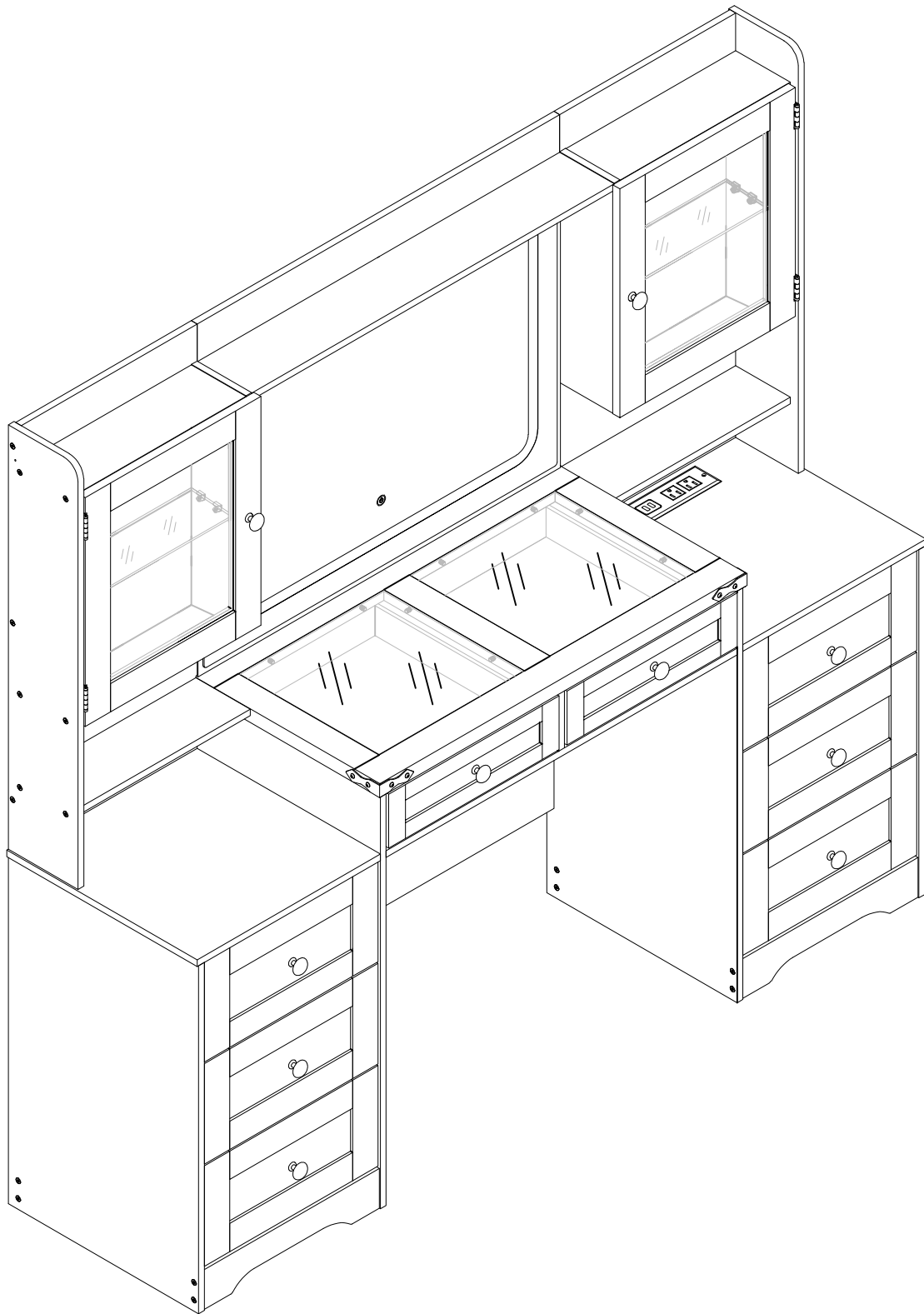


Assembly Instruction



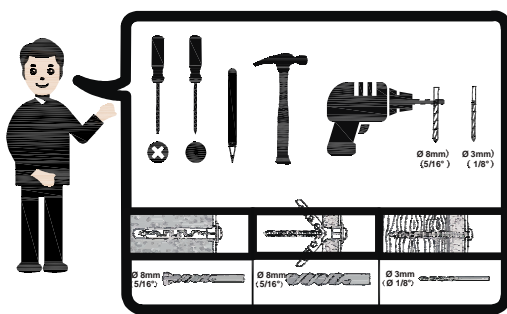
Important reminder:

- △ Please sort and check all accessories before assembly. Please place the product on empty cardboard box or carpet to avoid scratches on it.
- △ Please use proper tools for assembly. Using an electric screwdriver can accelerate the assembly speed, but please do not overtighten the screws.
- △ Please follow the assembly steps and do not skip any of them. If possible, please find a partner to help you with assembly, which can accelerate assembly.
- △ Keep all small parts of this product away from children. They may cause serious injury.
- △ We hope you can retighten the screws 2 weeks after assembly, and check the tightening procedure of the screws every 3 months.
- △ If you meet any difficulty, our friendly customer team are always ready to help you.

"SAFETY TIPS:

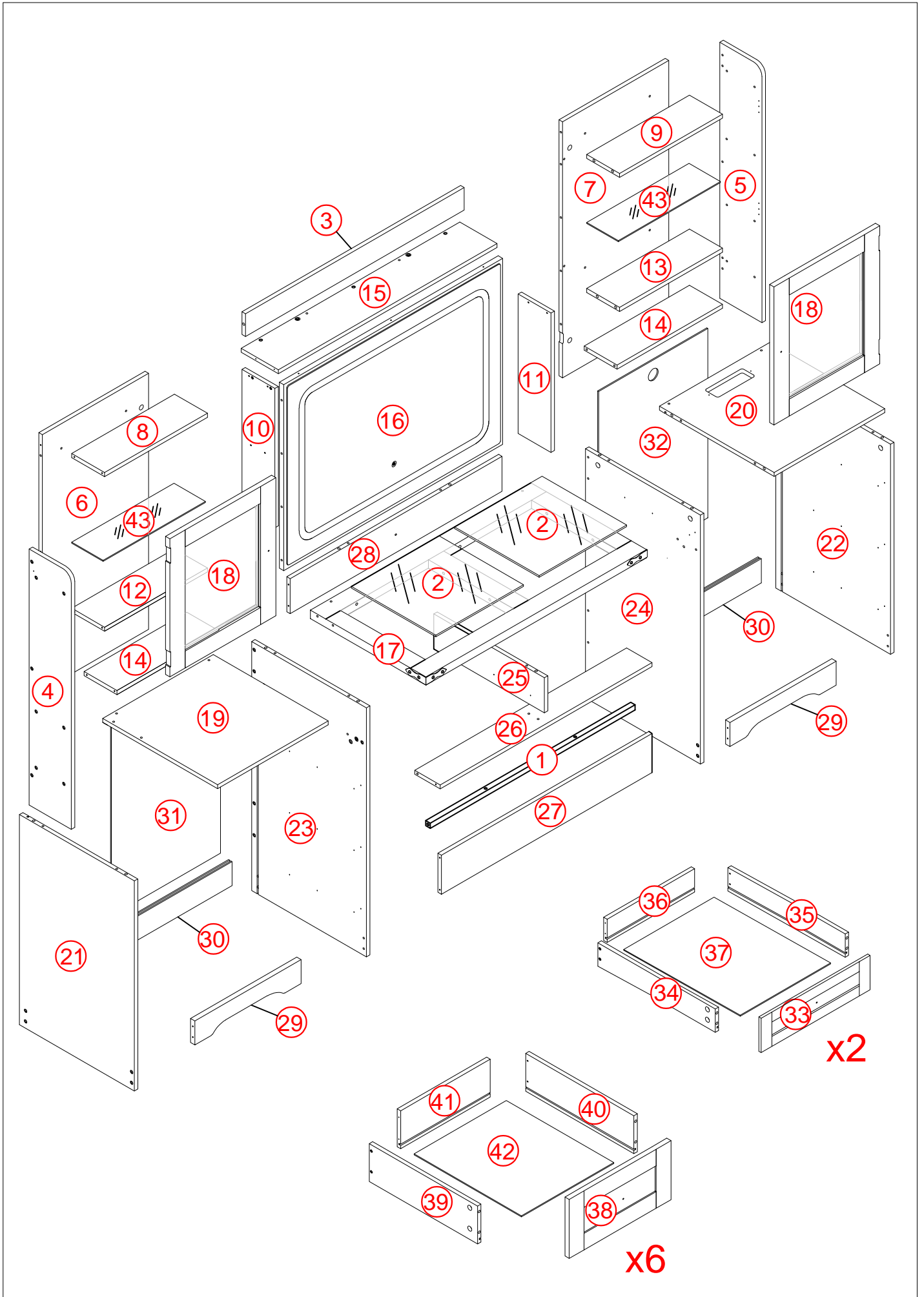
Static charge may cause dust on foam – clean with a dry or damp cloth. Small foam strands may be present – handle gently and dispose of properly.

Do not burn or incinerate. Check local recycling guidelines."

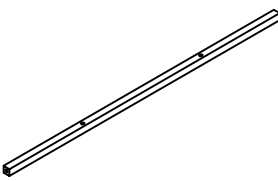
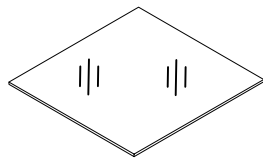
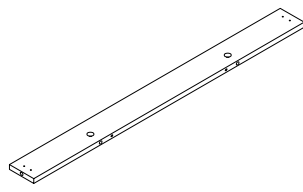
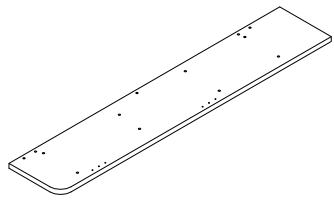
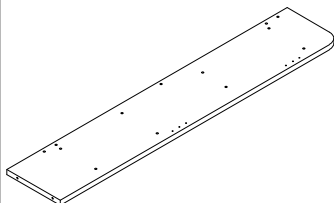
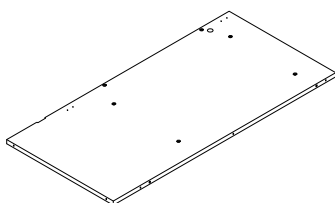
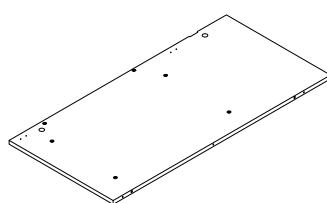
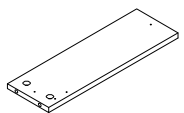
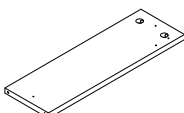
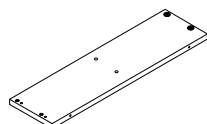
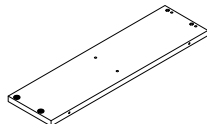
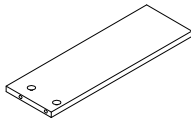
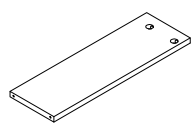
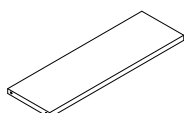
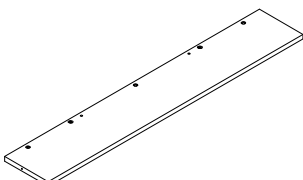
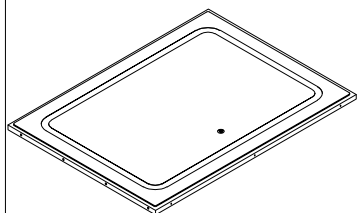
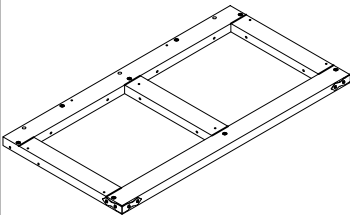
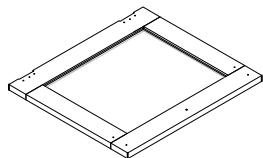
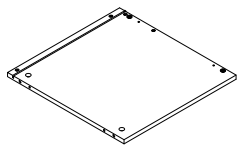
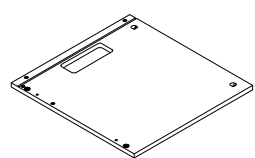
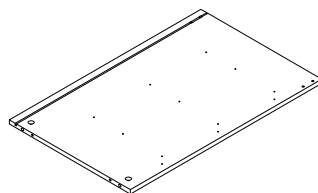
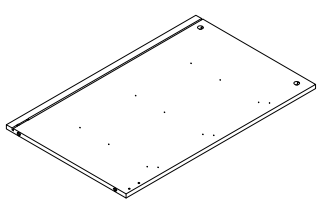
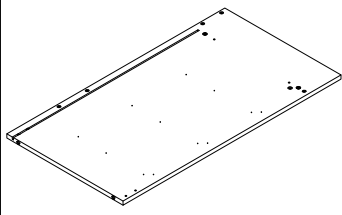
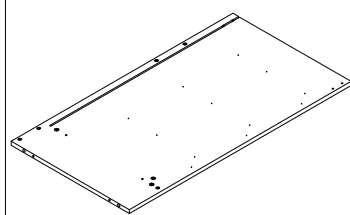


Warning: Overturning the product can cause serious crushing injuries. We have a wall connection device attached, please use it to hold the furniture following assembly instructions.

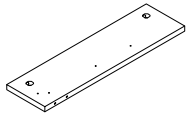
Do not change the structure of this product in way. Our products have been tested and meet any sales specific security measures. We won't be responsible for any modifications, which may cause significant security risks.



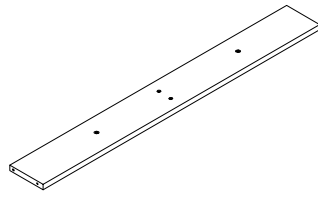
PARTS LIST

 <p>① x1PC</p>	 <p>② x2PCS</p>	 <p>③ x1PC</p>	 <p>④ x1PC</p>
 <p>⑤ x1PC</p>	 <p>⑥ x1PC</p>	 <p>⑦ x1PC</p>	 <p>⑧ x1PC</p>
 <p>⑨ x1PC</p>	 <p>⑩ x1PC</p>	 <p>⑪ x1PC</p>	 <p>⑫ x1PC</p>
 <p>⑬ x1PC</p>	 <p>⑭ x2PCS</p>	 <p>⑮ x1PC</p>	 <p>⑯ x1PC</p>
 <p>⑰ x1PC</p>	 <p>⑱ x2PCS</p>	 <p>⑲ x1PC</p>	 <p>⑳ x1PC</p>
 <p>㉑ x1PC</p>	 <p>㉒ x1PC</p>	 <p>㉓ x1PC</p>	 <p>㉔ x1PC</p>

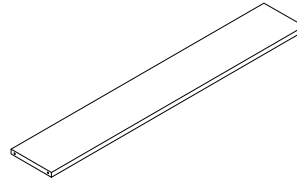
PARTS LIST



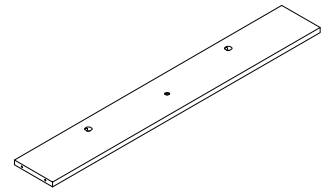
②⑤ x1PC



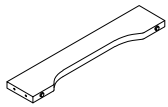
②⑥ x1PC



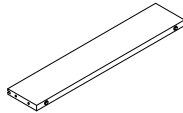
②⑦ x1PC



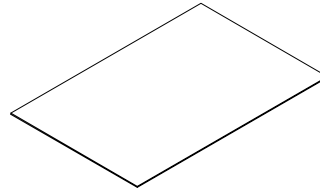
②⑧ x1PC



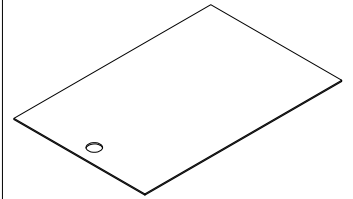
②⑨ x2PCS



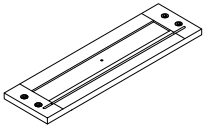
③⑩ x2PCS



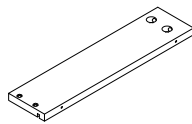
③① x1PC



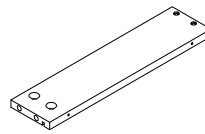
③② x1PC



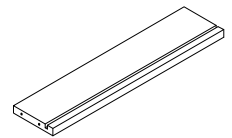
③③ x2PCS



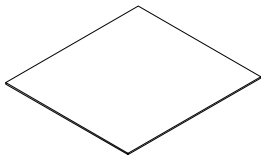
③④ x2PCS



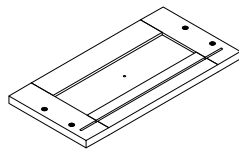
③⑤ x2PCS



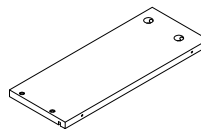
③⑥ x2PCS



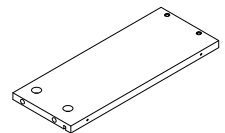
③⑦ x2PCS



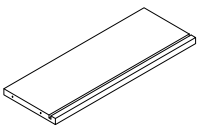
③⑧ x6PCS



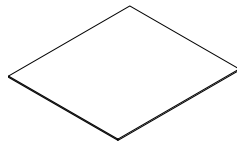
③⑨ x6PCS



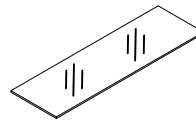
④⑩ x6PCS



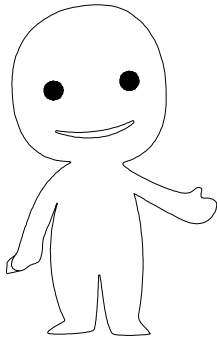
④① x6PCS



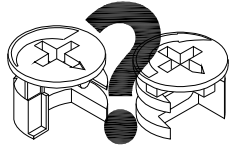
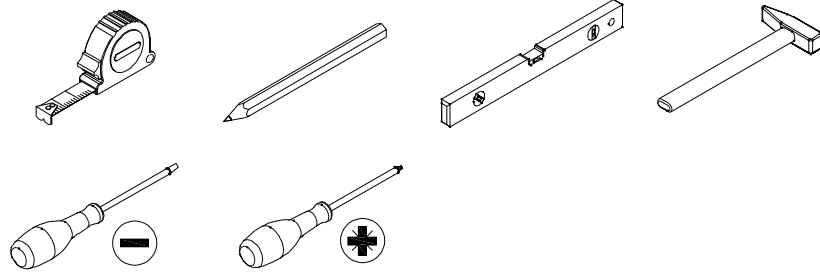
④② x6PCS



④③ x2PCS

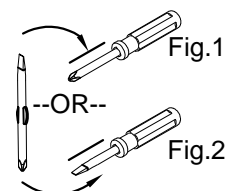


Please prepare the following tools



When installing, please carefully confirm whether each screw corresponds to the manual, accessories with similar shapes can be distinguished by size

<p>A x 58+2</p> <p>Ø15 x 9.5 mm</p>	<p>B x 58+2</p>	<p>C x 115+2</p>	<p>D x 28+2</p> <p>Ø6 x30 mm</p>
<p>E x 10+1</p> <p>Ø6 x50 mm</p>	<p>F</p> <p>F1x10 F2x10+1</p>	<p>G x 73+2</p> <p>Ø5 x45 mm</p>	<p>H x 36+2</p> <p>Ø4 x30 mm</p>
<p>I x 96+2</p> <p>Ø3 x12 mm</p>	<p>J x 44+2</p> <p>Ø3.5 x12 mm</p>	<p>K x 4+1</p> <p>M6 x22 mm</p>	<p>L x 8+1</p>
<p>M x 12+1</p> <p>Ø3 x 16mm</p>	<p>N</p> <p>N1x2 N2x2</p>	<p>O x 4</p>	<p>P x 4</p>
<p>Q x 8+1</p>	<p>R x 16+1</p>	<p>S</p> <p>S1 x 2 S2 x 2</p>	<p>T x 2</p> <p>T1 x 2 T2 x 2</p>
<p>U</p> <p>U1(CL) x 8 U1(DL) x 8 U2(DR) x 8 U2(CR) x 8</p>		<p>V</p>	
<p>W</p> <p>W1x 1 W2 x 1 W3 x 4 W4 x 4</p>			



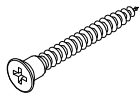
2

A x 4

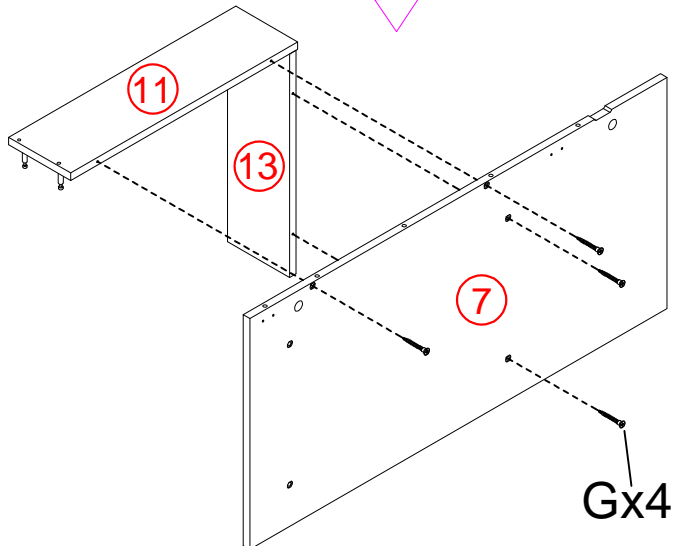
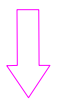
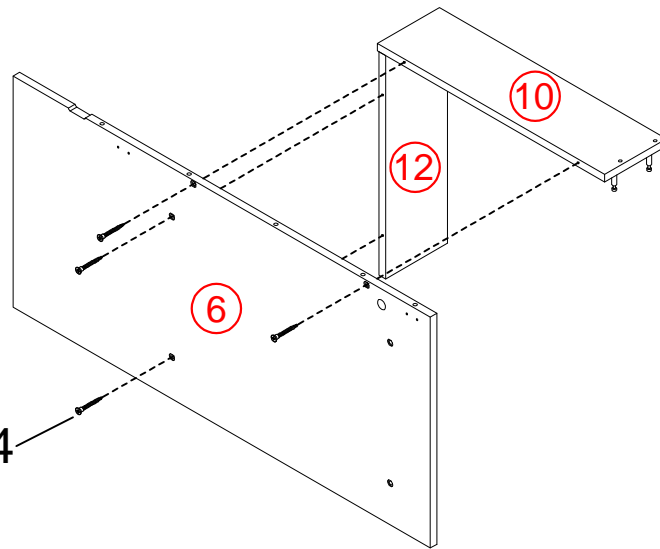
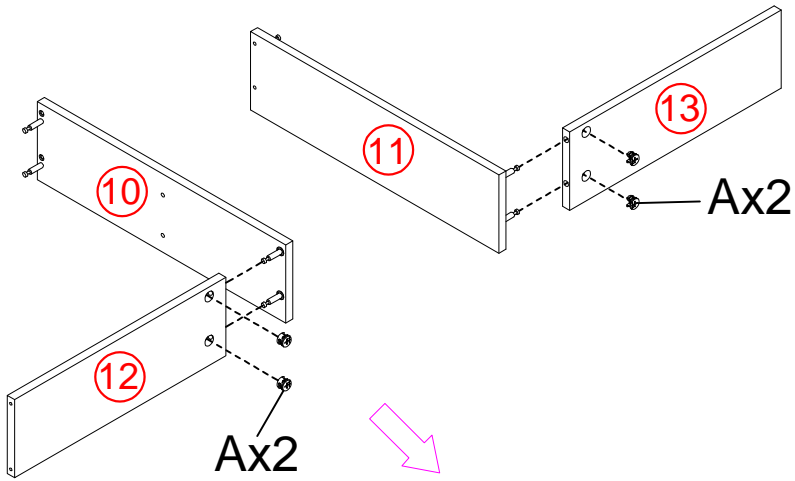
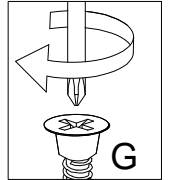
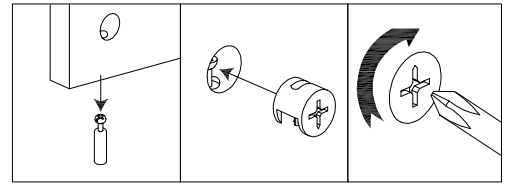
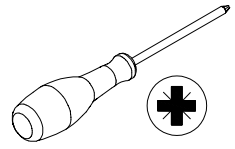


Ø15 x 9.5 mm

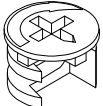
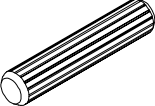
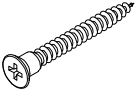
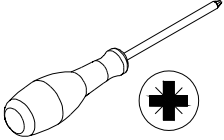
G x 8

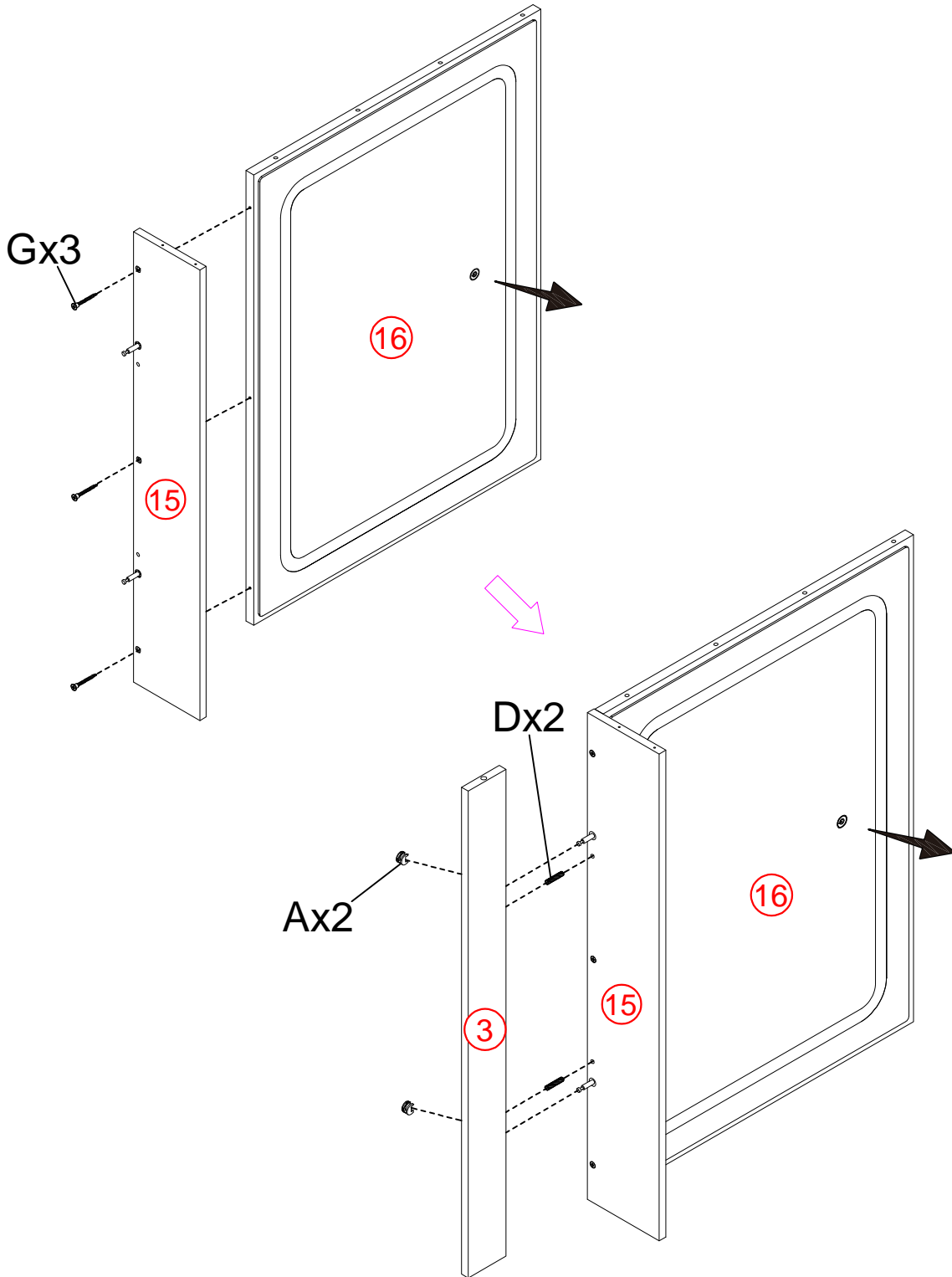
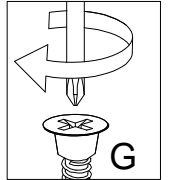
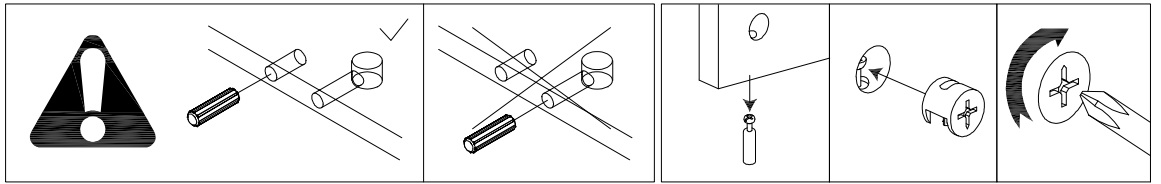


Ø5 x 45 mm

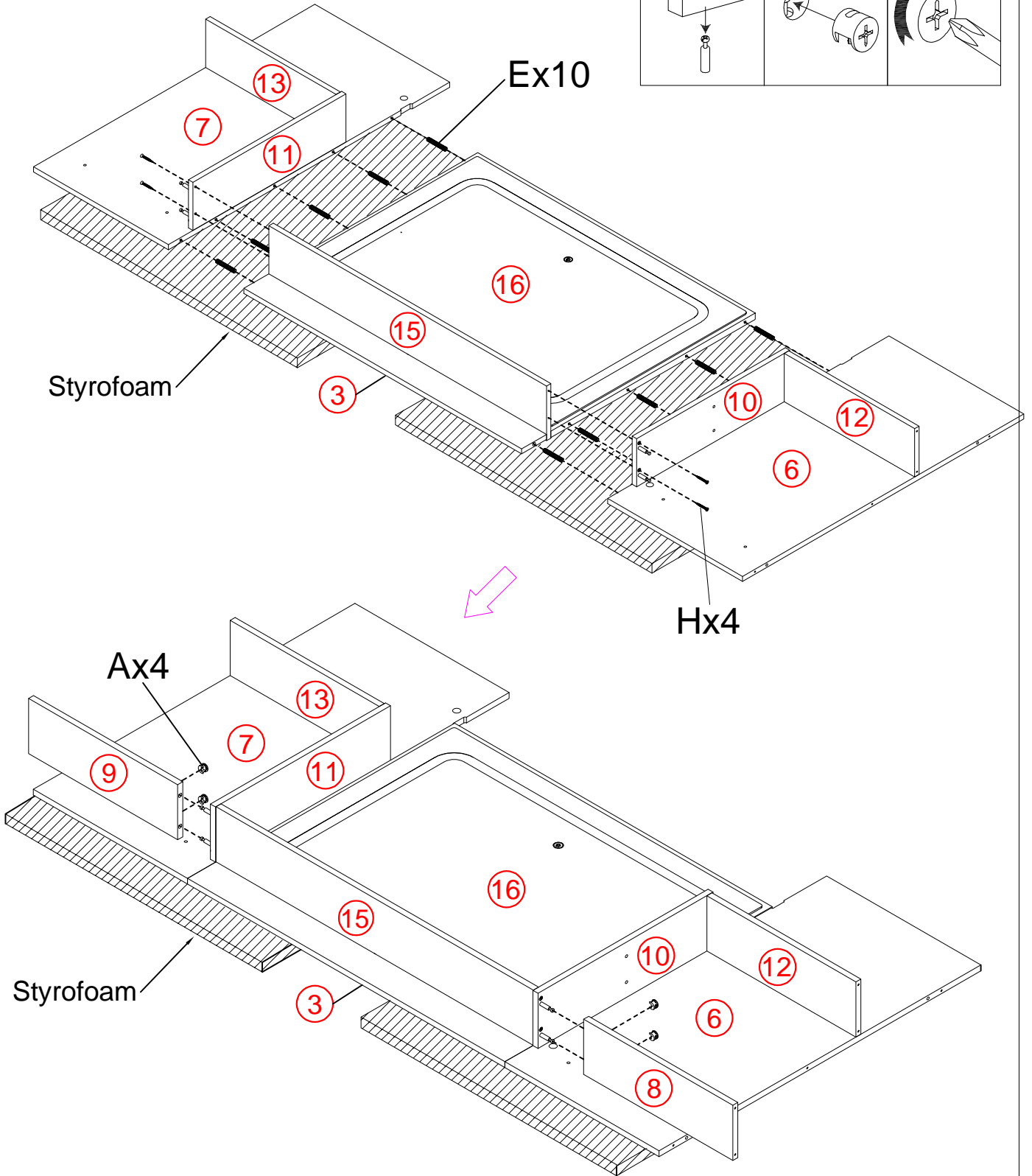
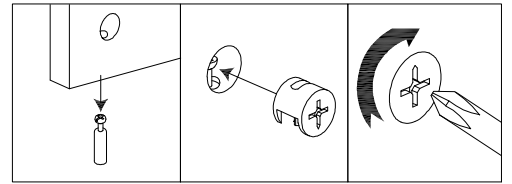
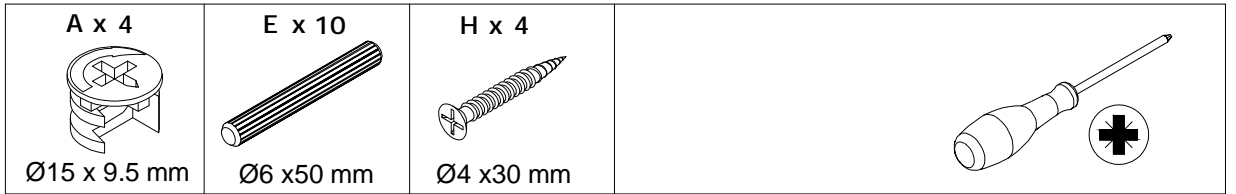


3

A x 2  Ø15 x 9.5 mm	D x 2  Ø6 x30 mm	G x 3  Ø5 x45 mm	
---	--	--	---

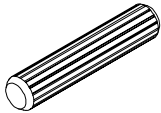


4



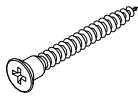
5

D x 8

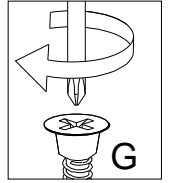
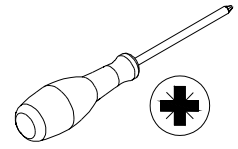


Ø6 x30 mm

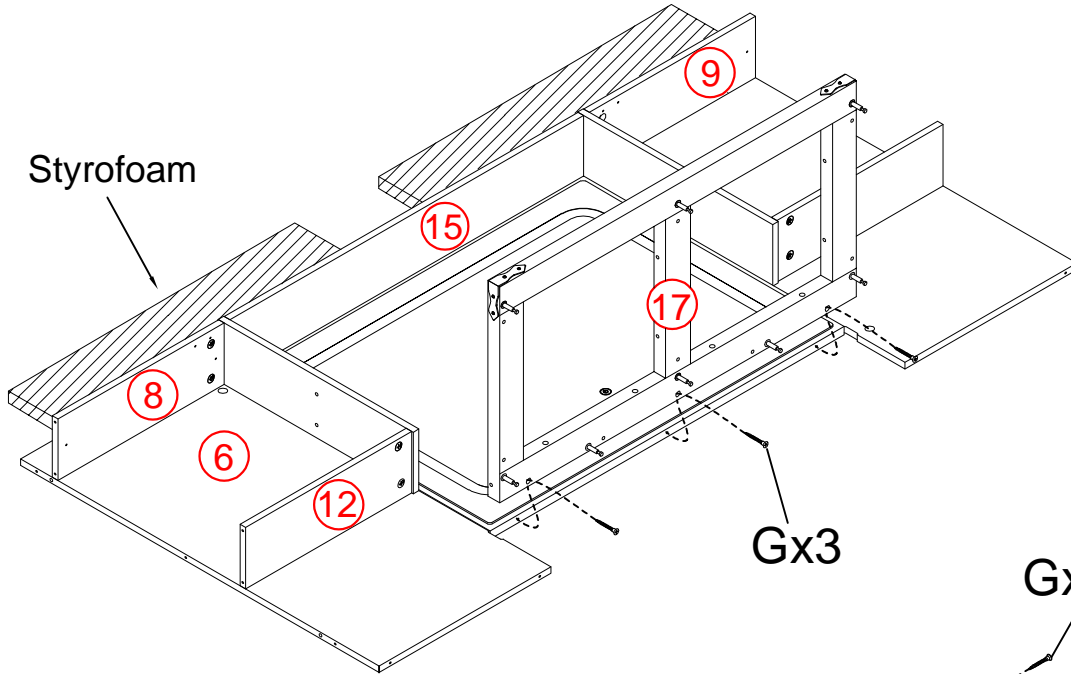
G x 21



Ø5 x45 mm



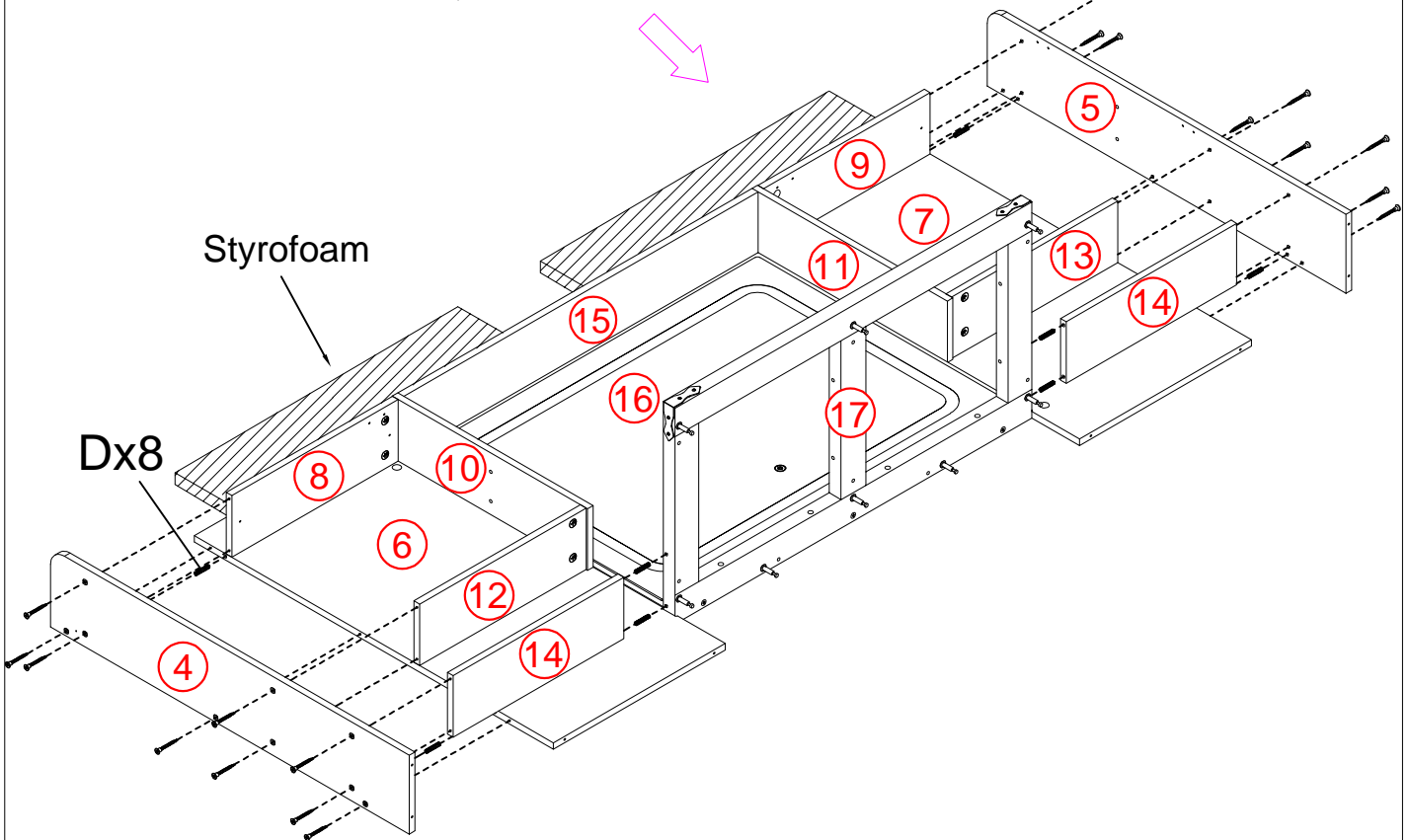
Styrofoam



Gx3

Gx18

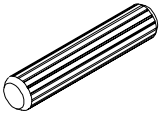
Styrofoam



Dx8

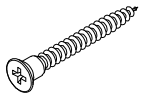
7

D x 2



Ø6 x30 mm

G x 12

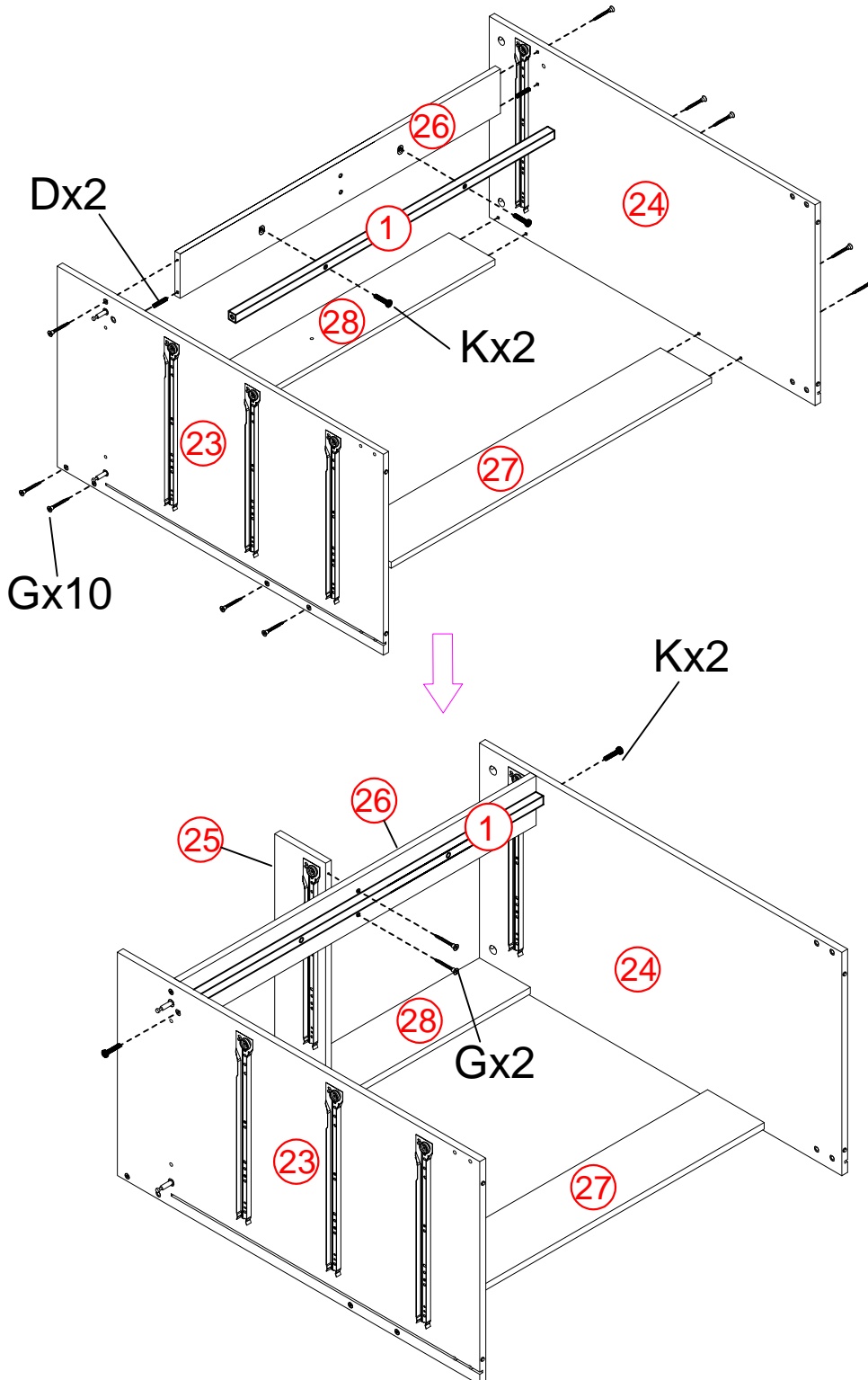
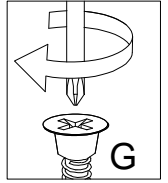
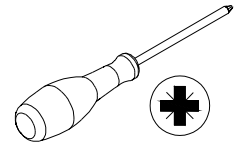


Ø5 x45 mm

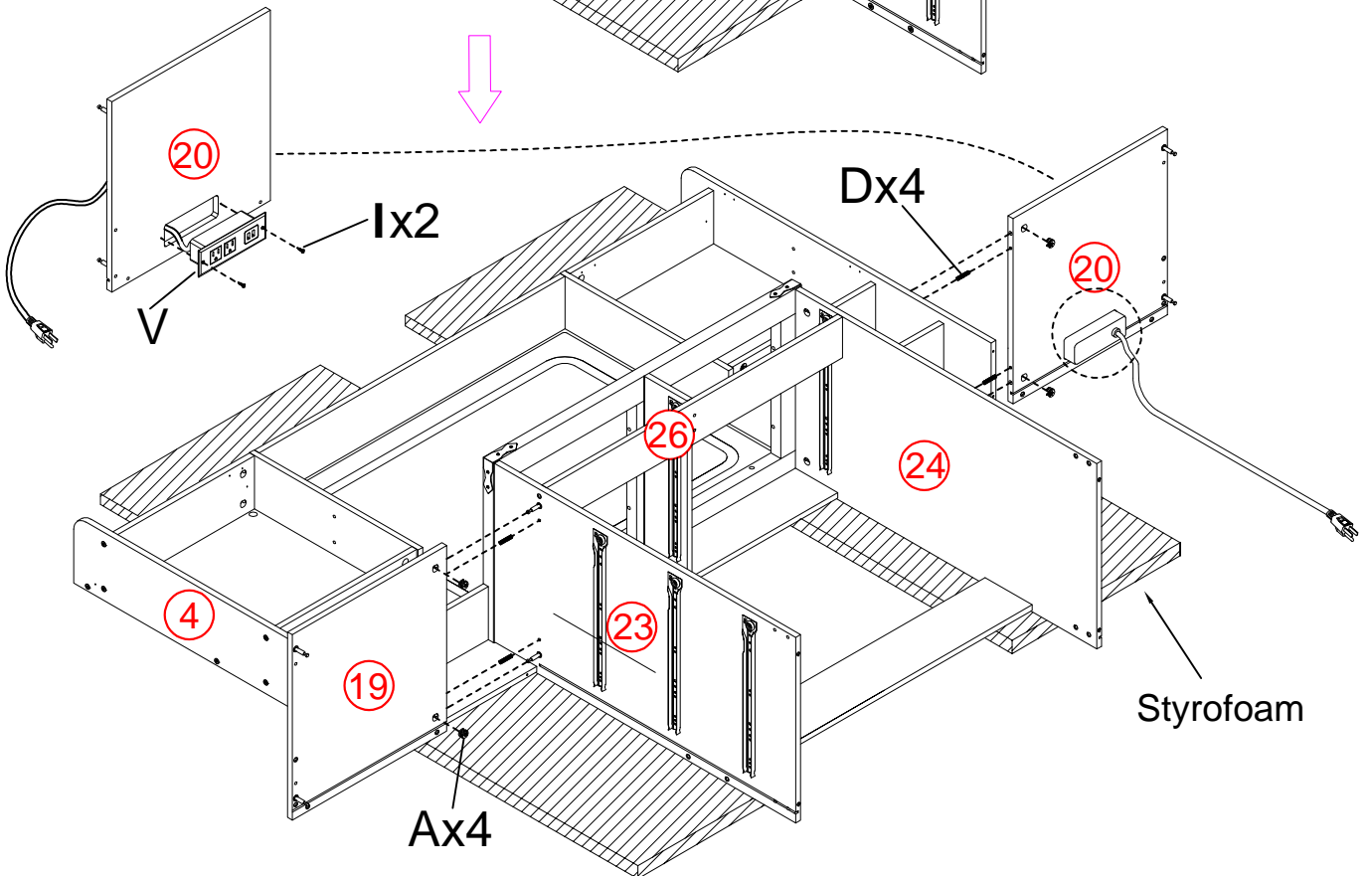
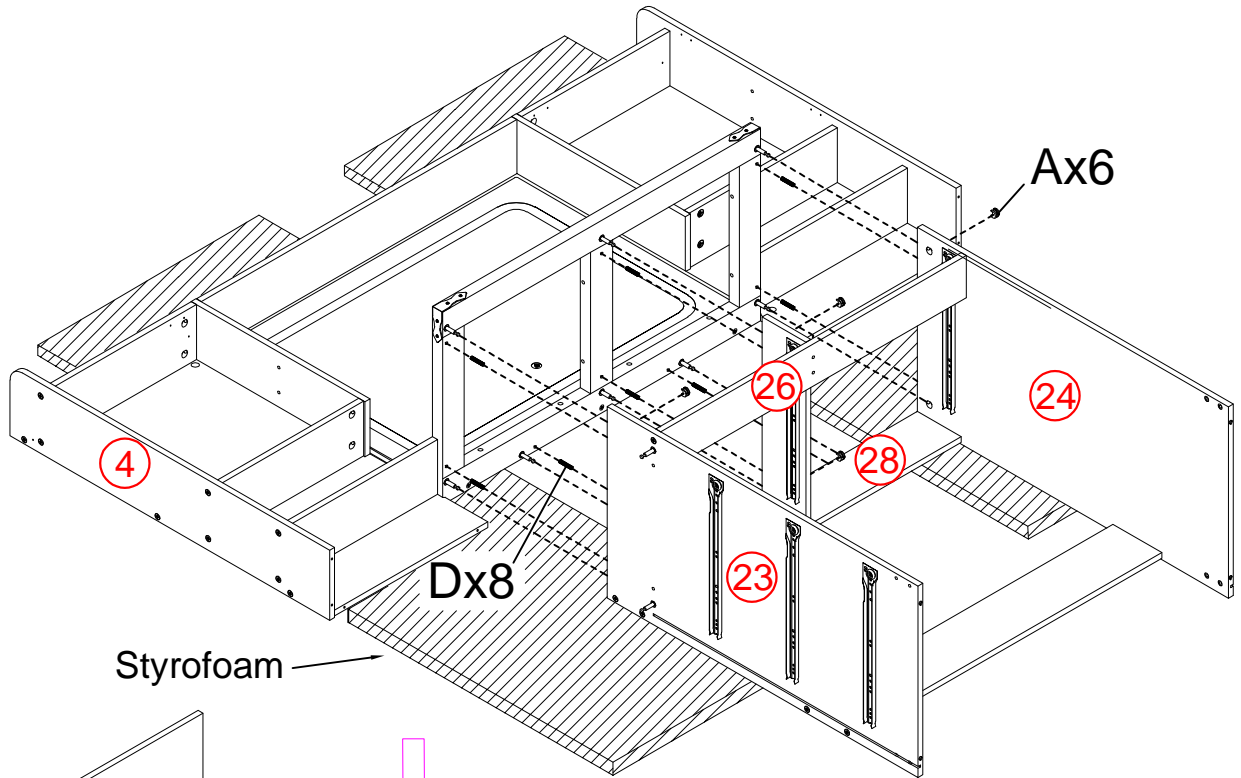
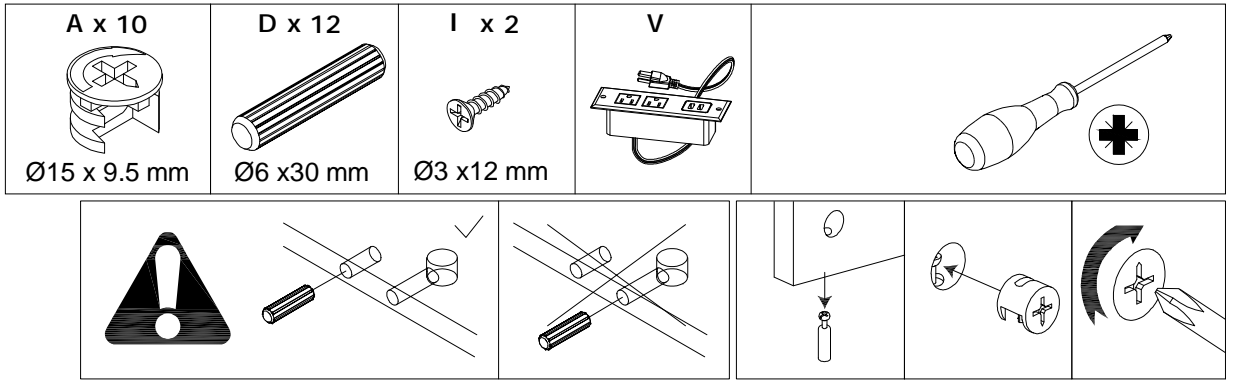
K x 4



M6 x22 mm

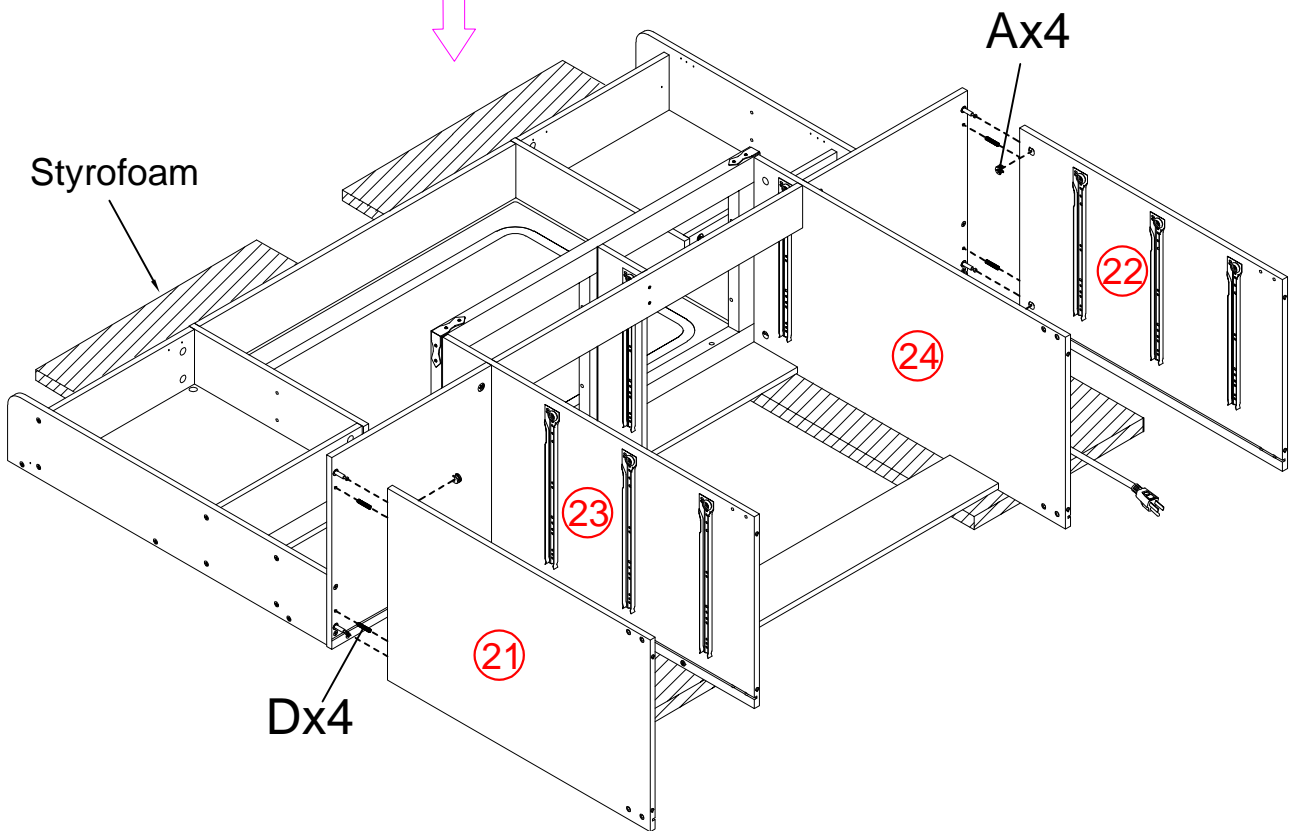
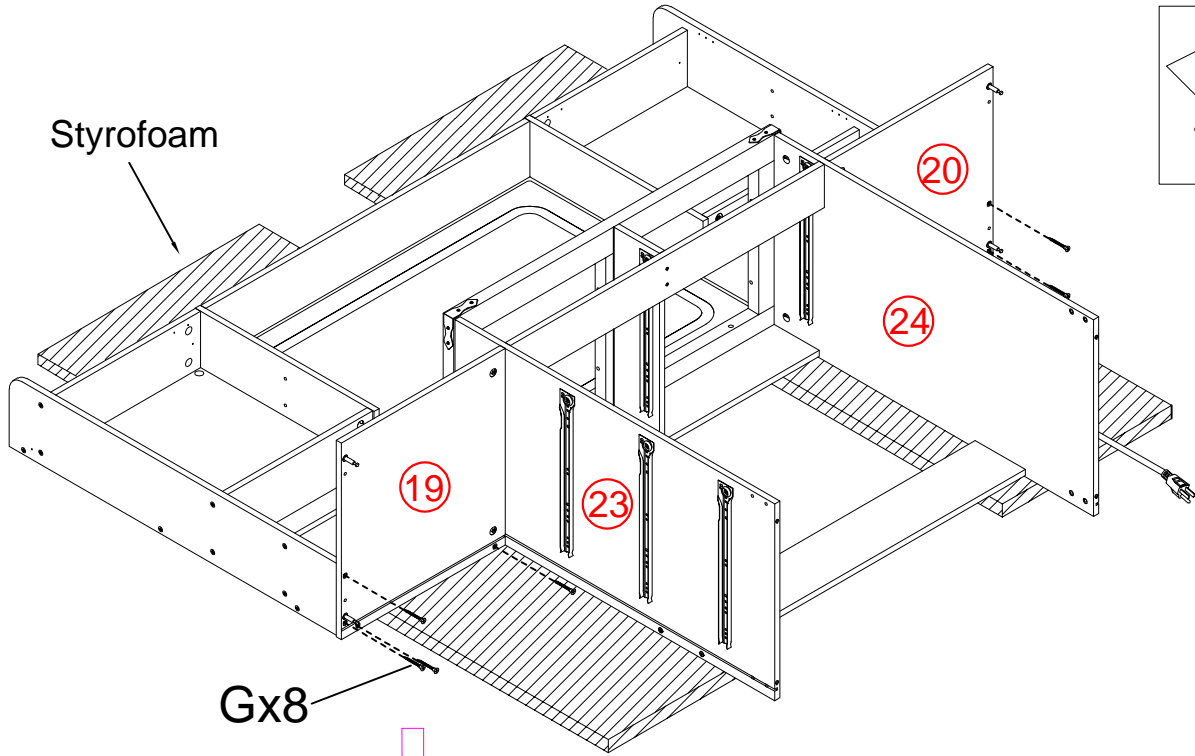
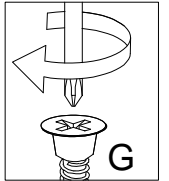
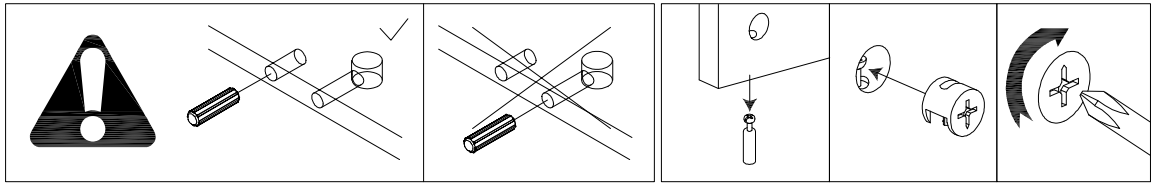


8

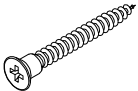

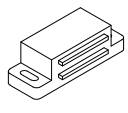
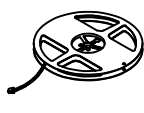

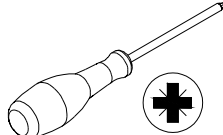



9

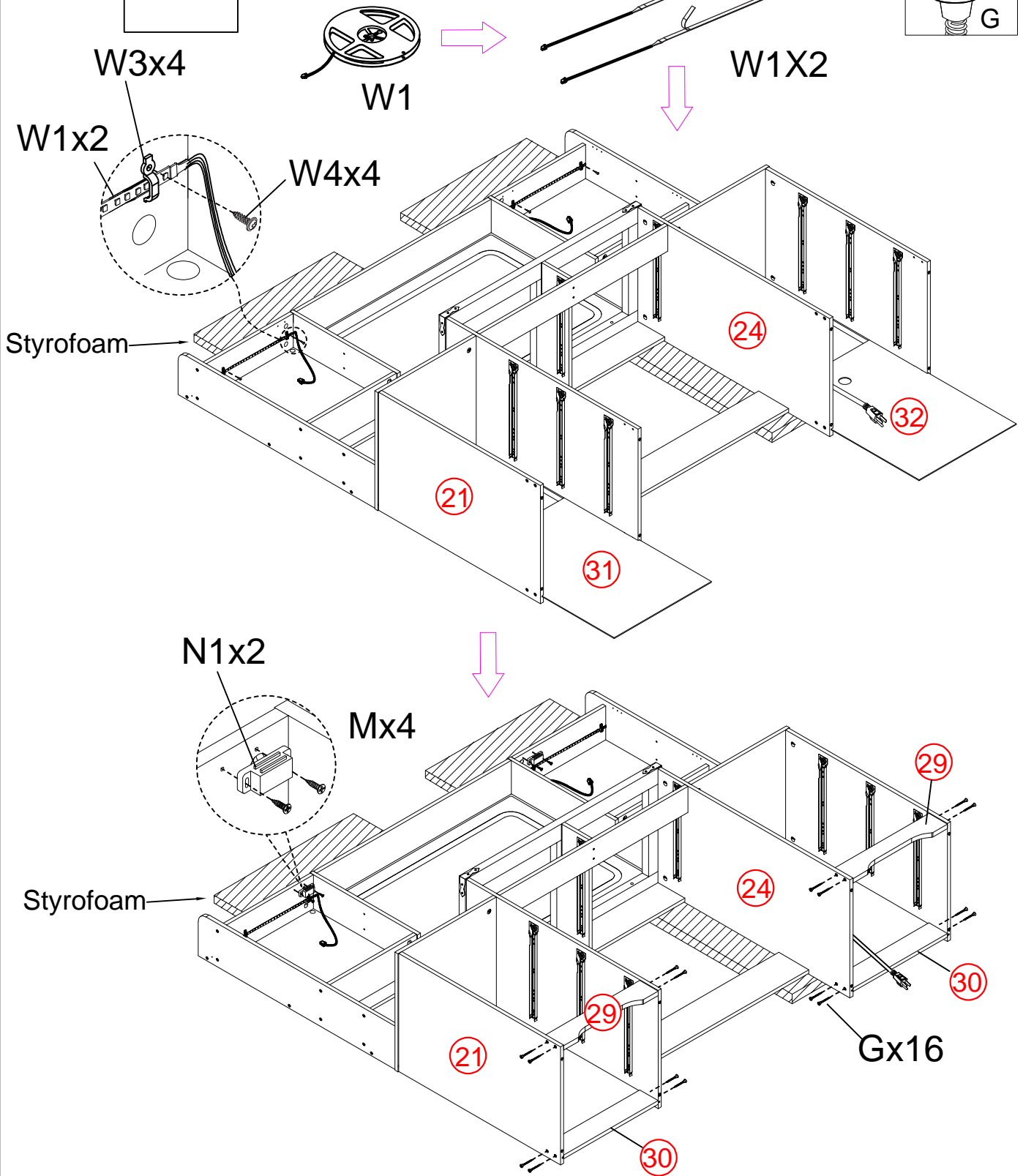
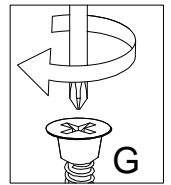
A x 4  Ø15 x 9.5 mm	D x 4  Ø6 x 30 mm	G x 8  Ø5 x 45 mm	
---	---	---	---



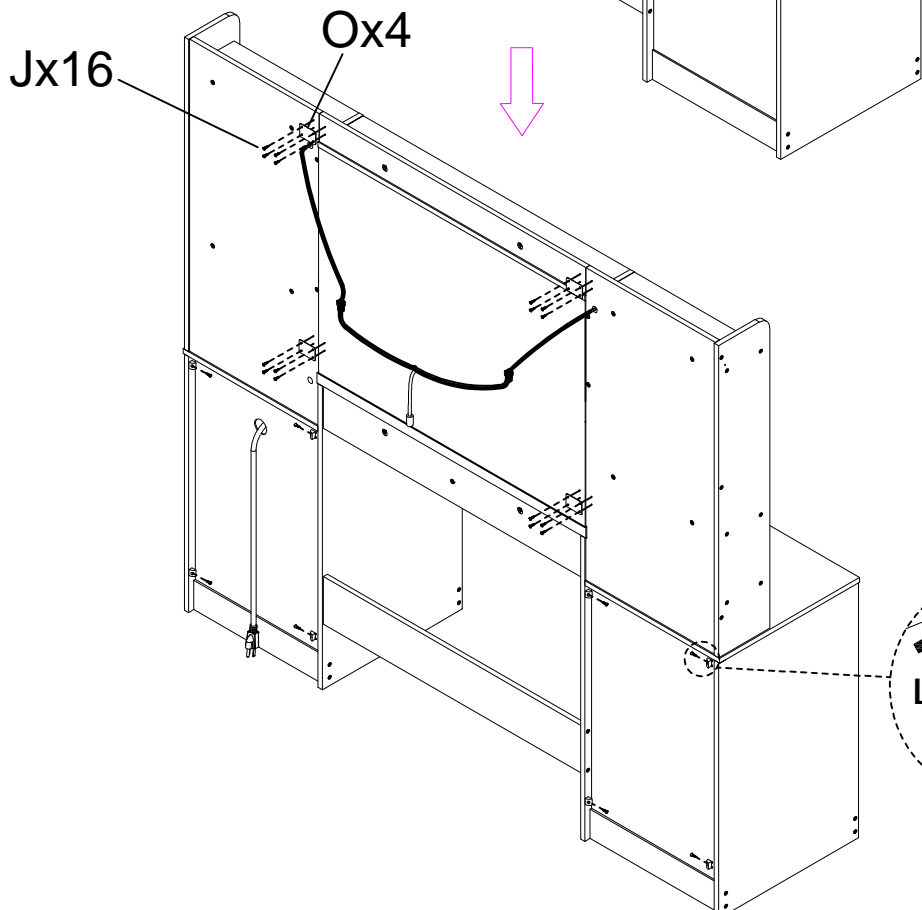
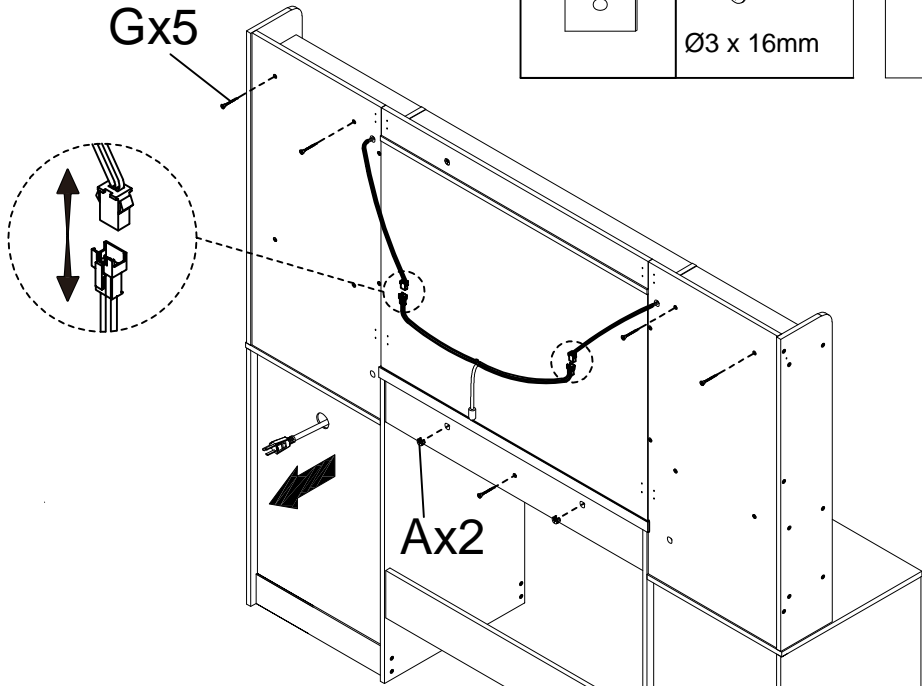
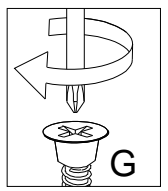
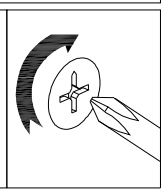
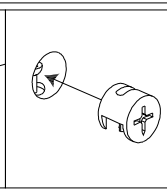
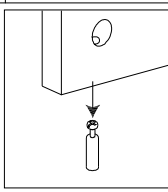
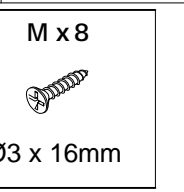
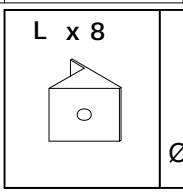
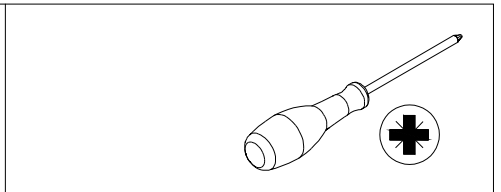
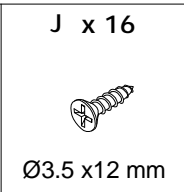
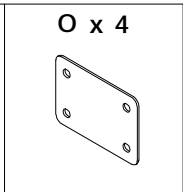
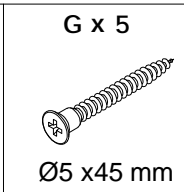
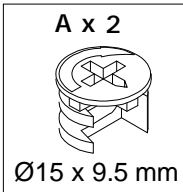
10

G x 16  Ø5 x45 mm	M x 4  Ø3 x 16mm	N1x2 	W1x 1 	W3 x 4 	
---	--	--	---	---	---

W4 x 4 
--

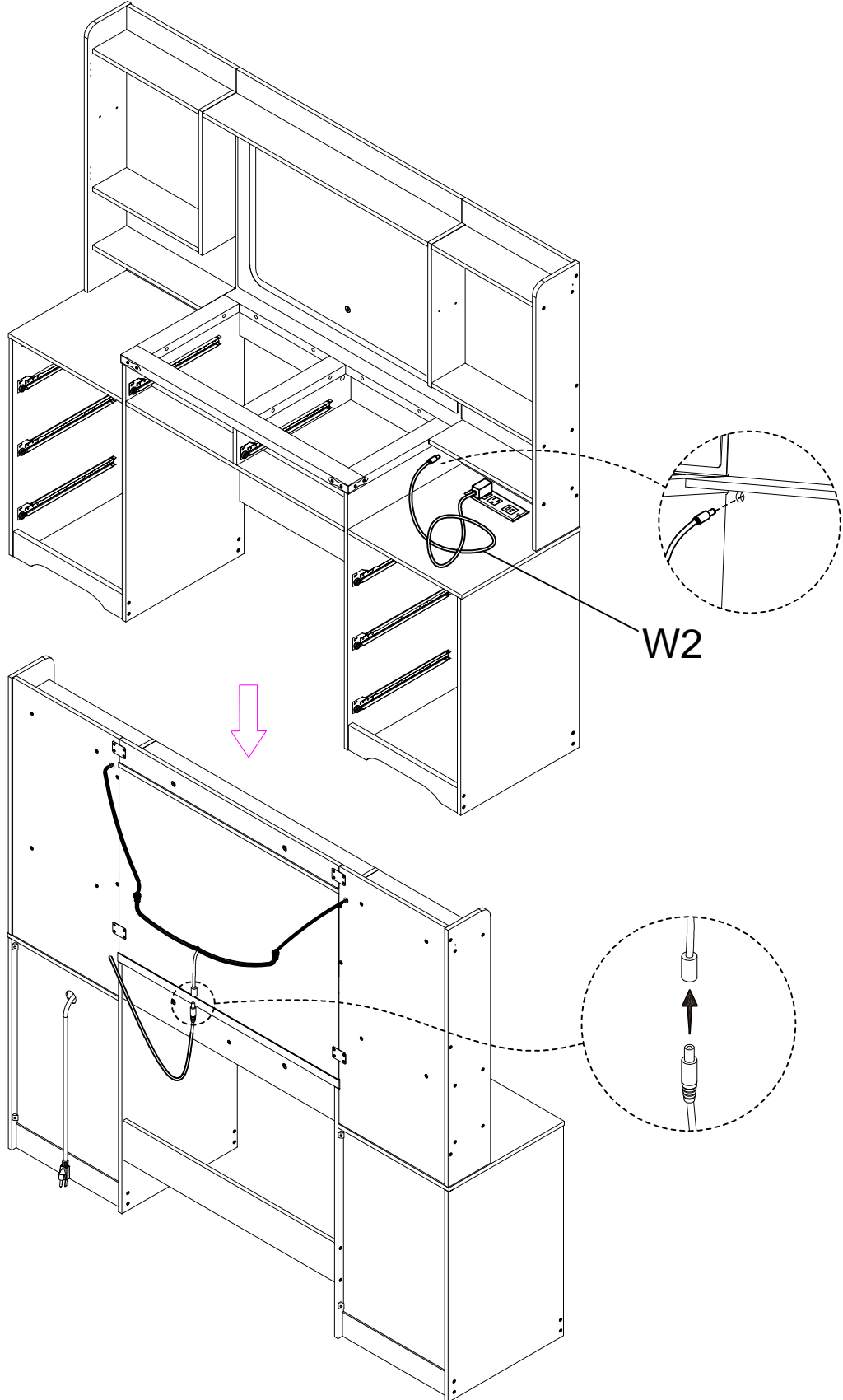
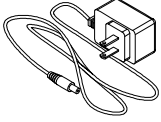


11



12

W2 x 1



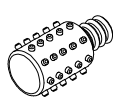
W2

13

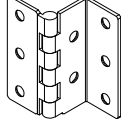
Q x 8



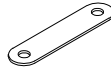
R x 16



P x 4



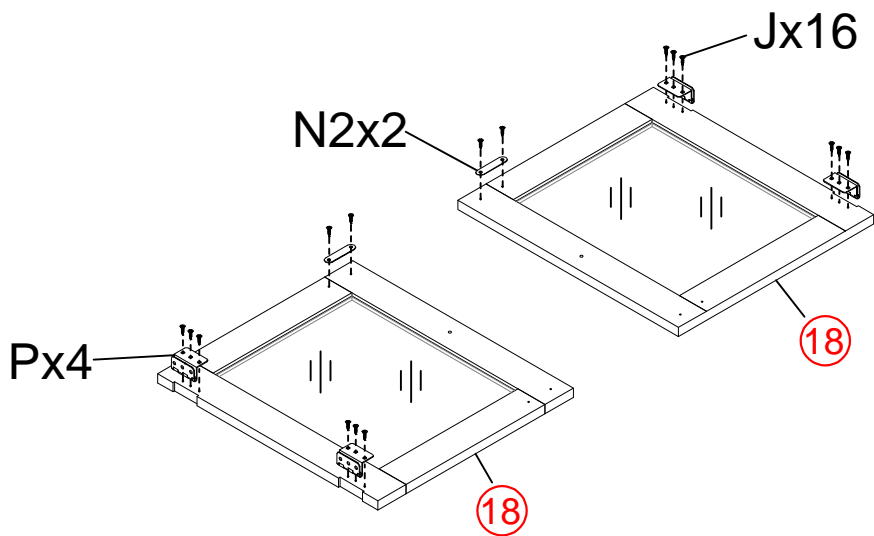
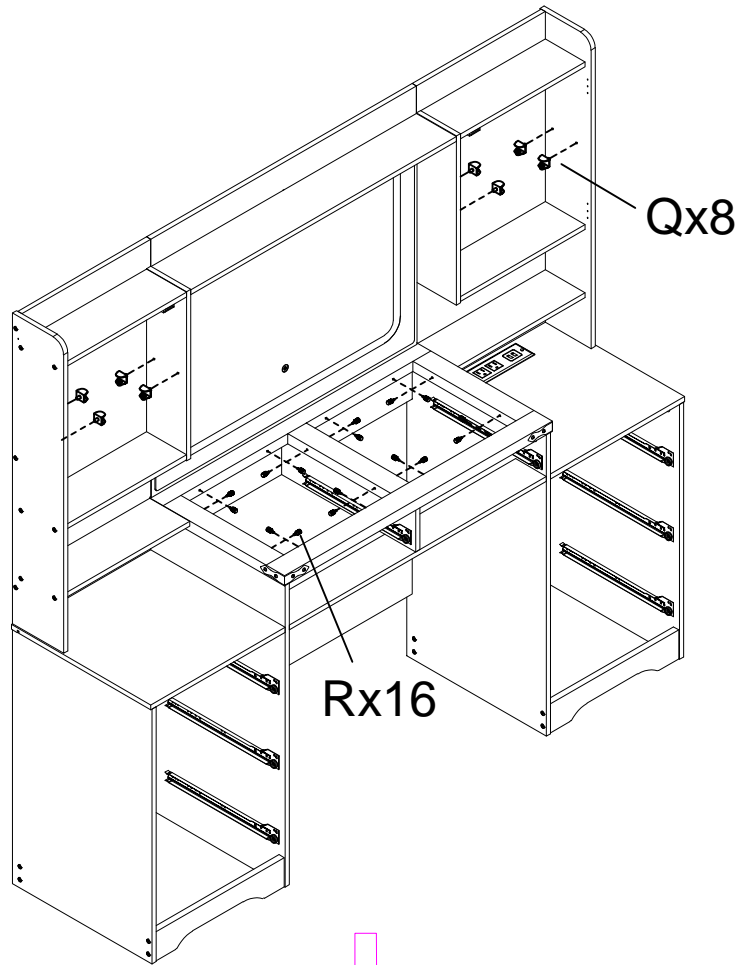
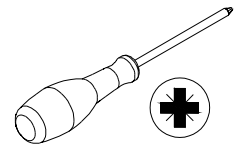
N2x2



J x 16



Ø3.5 x12 mm



14

J x 12



Ø3.5 x12 mm

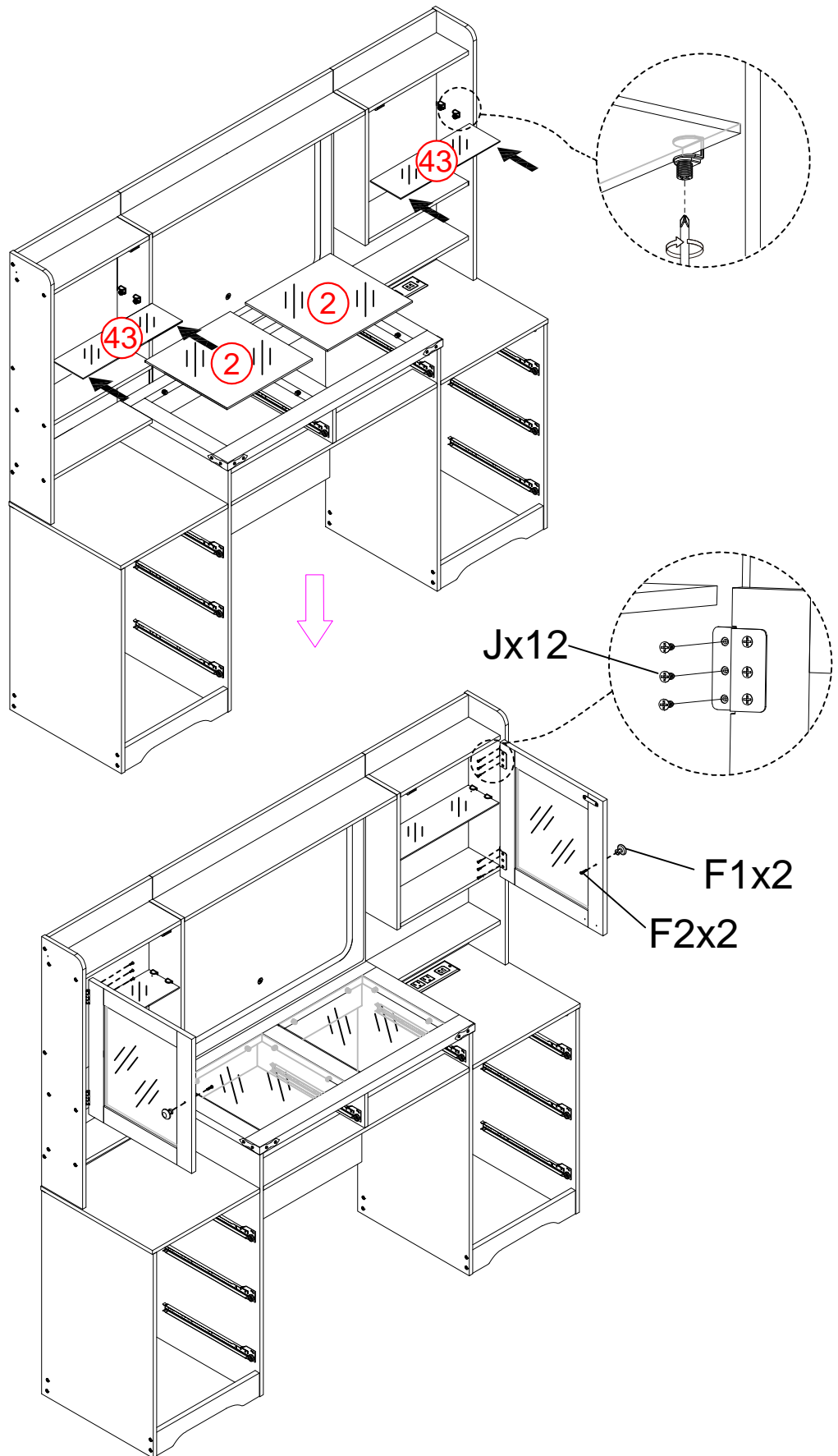
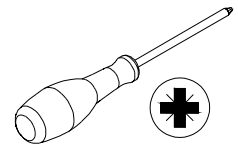
F



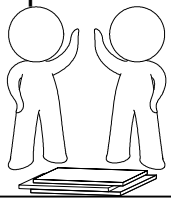
F 1x2



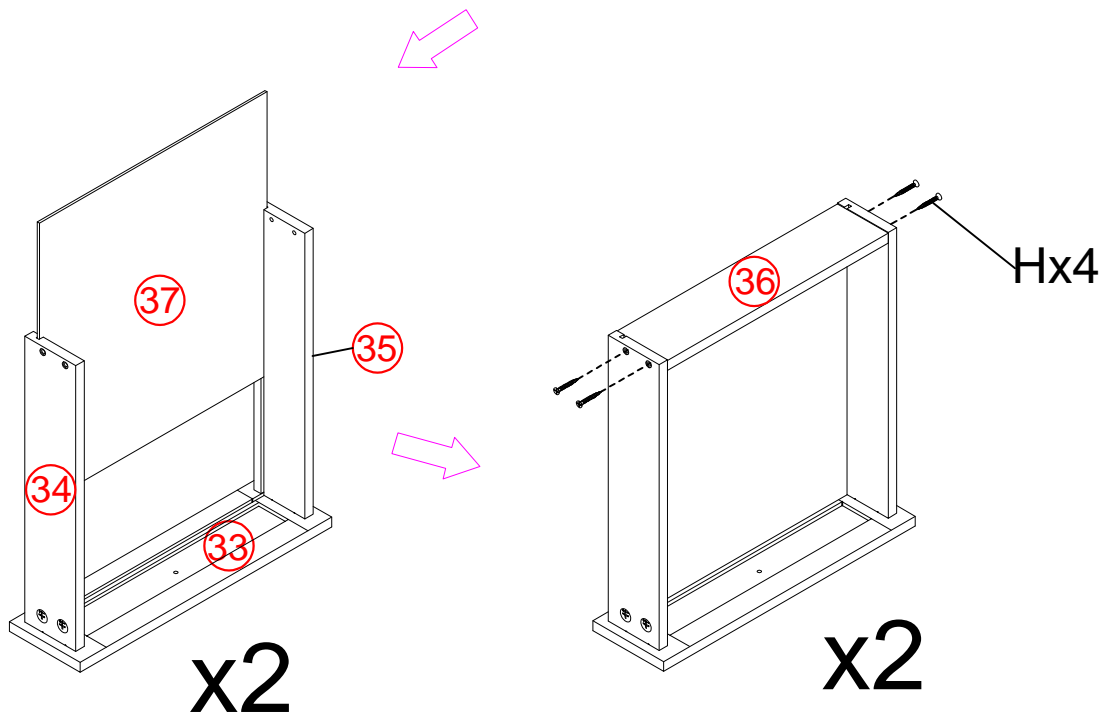
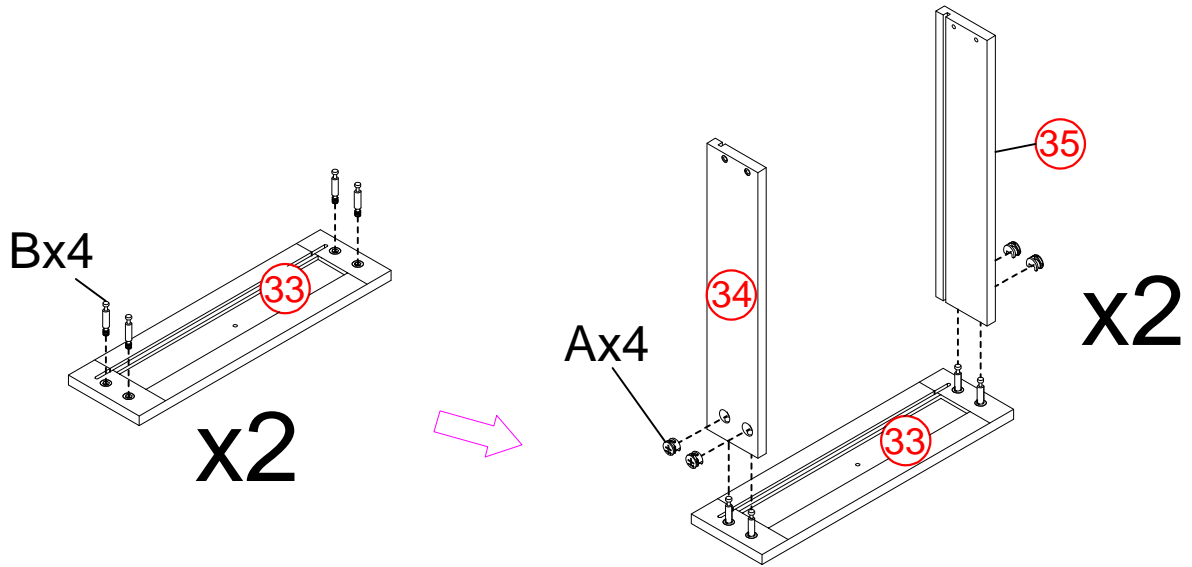
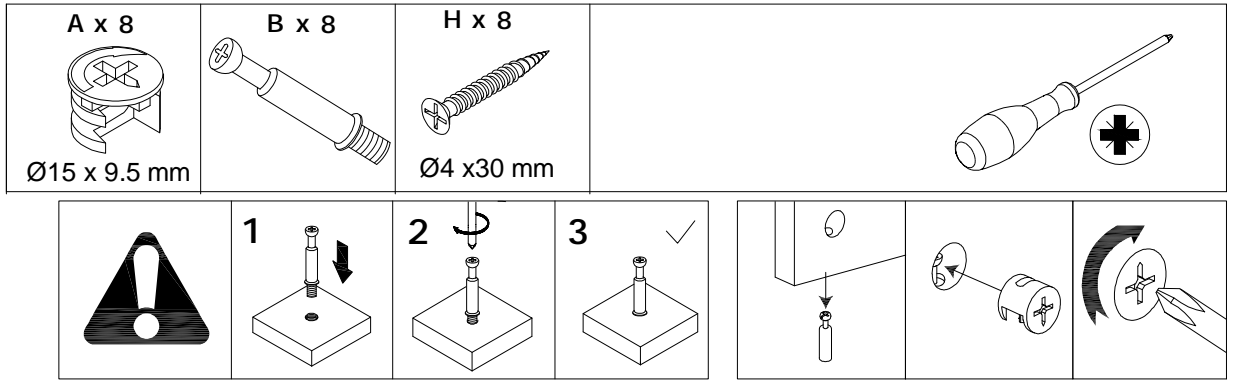
F 2x2




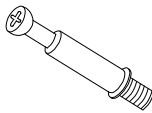
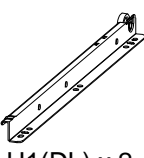
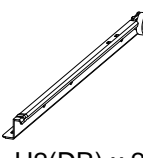

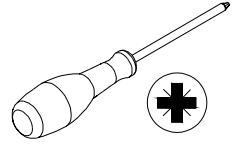
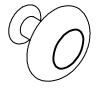


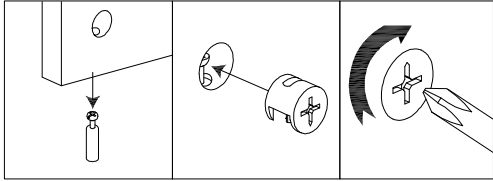
Recommend two adults to complete.

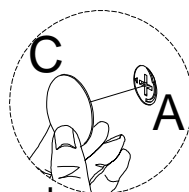
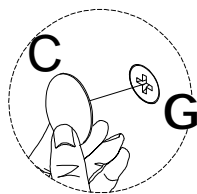
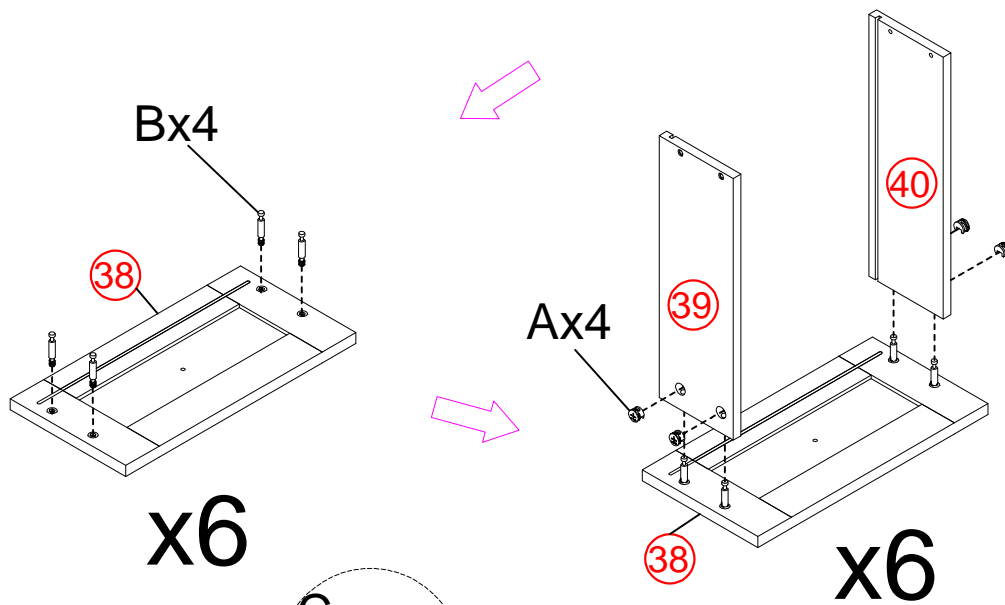
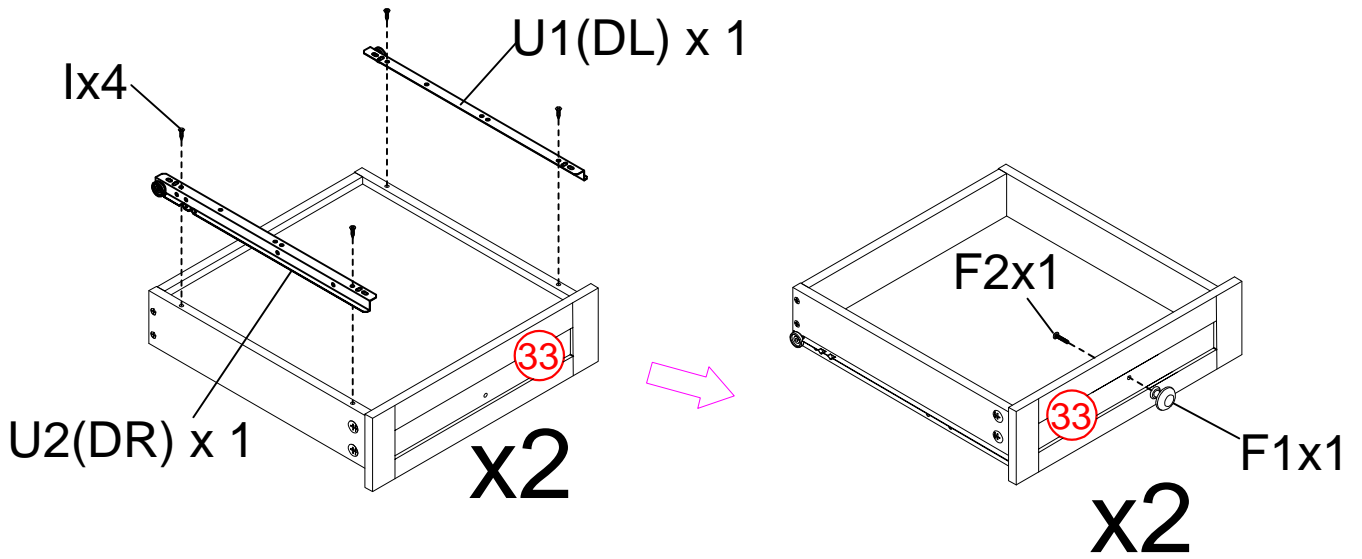


15



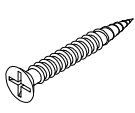
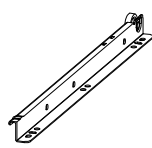
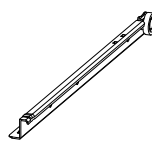

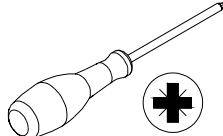
16



A x 24  Ø15 x 9.5 mm	B x 24 	U1(DL) x 2 	U2(DR) x 2 	I x 8  Ø3 x 12 mm	
F 1x2 	F 2x2 	C x 115 			

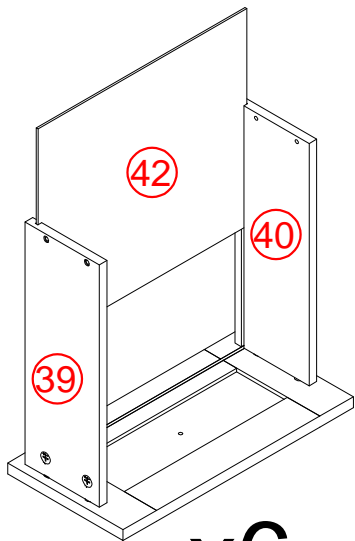


Tighten the three in one and apply the sticker (C) to the hole.

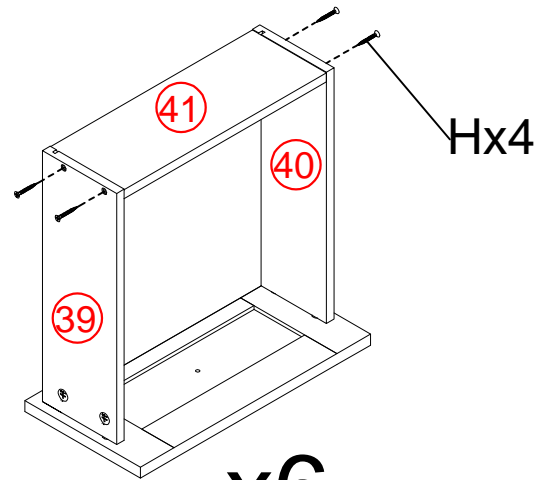
17

<p>H x 24</p>  <p>Ø4 x30 mm</p>	 <p>U1(DL) x 6</p>	 <p>U2(DR) x 6</p>	<p>I x 24</p>  <p>Ø3 x12 mm</p>	
--	---	---	--	---

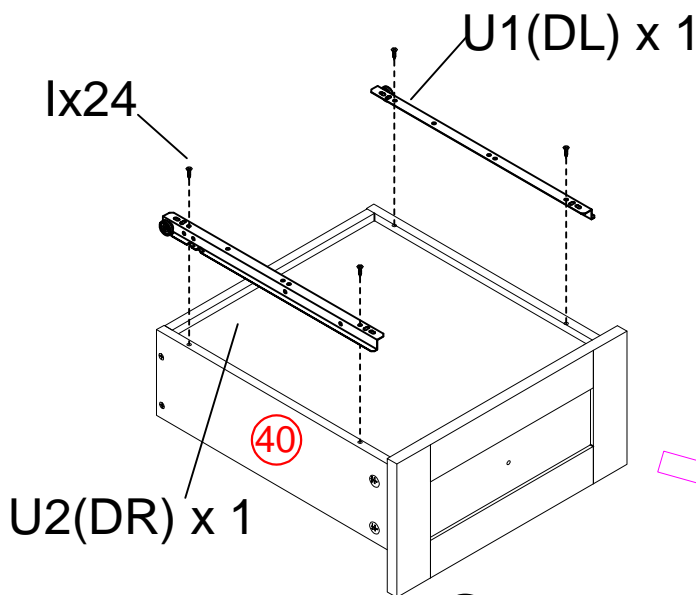
<p>F</p> 	
<p>F 1x6</p>	<p>F 2x6</p>



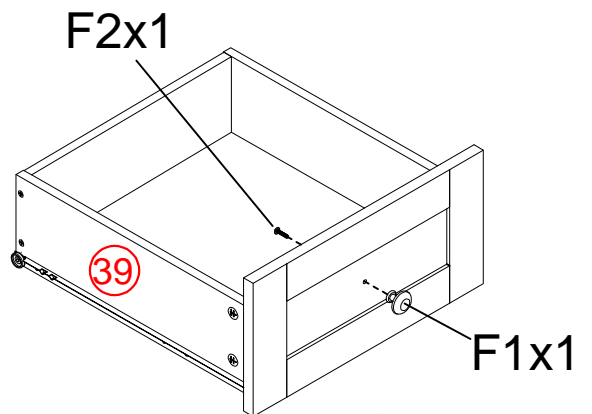
x6



x6

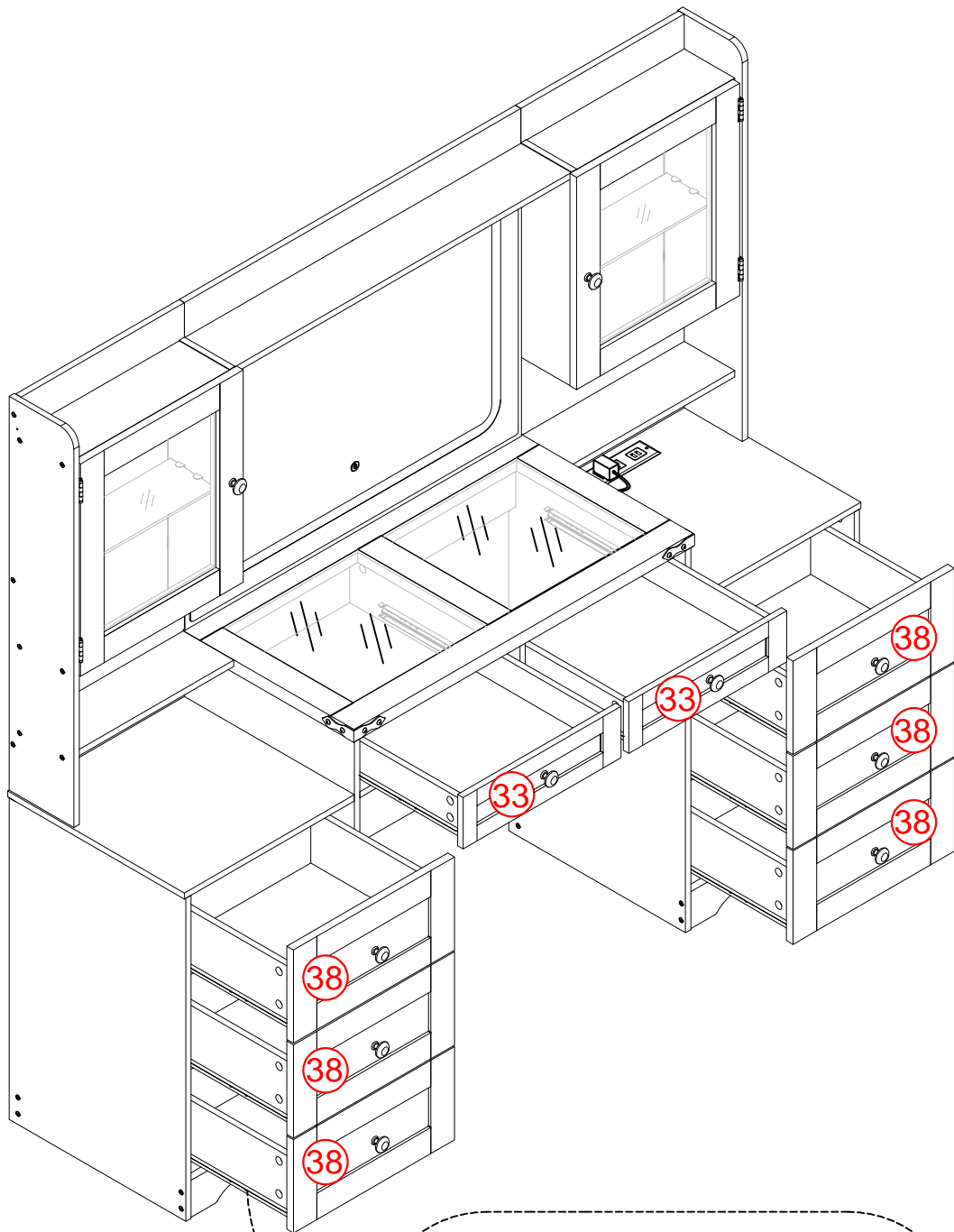


x6

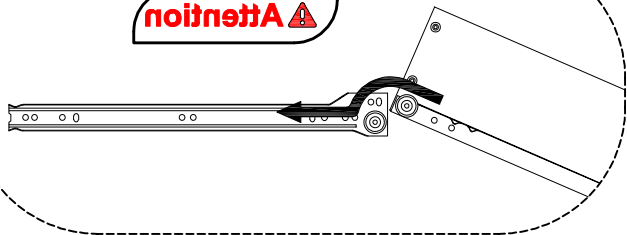


x6



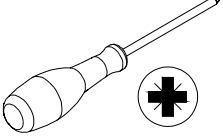
18

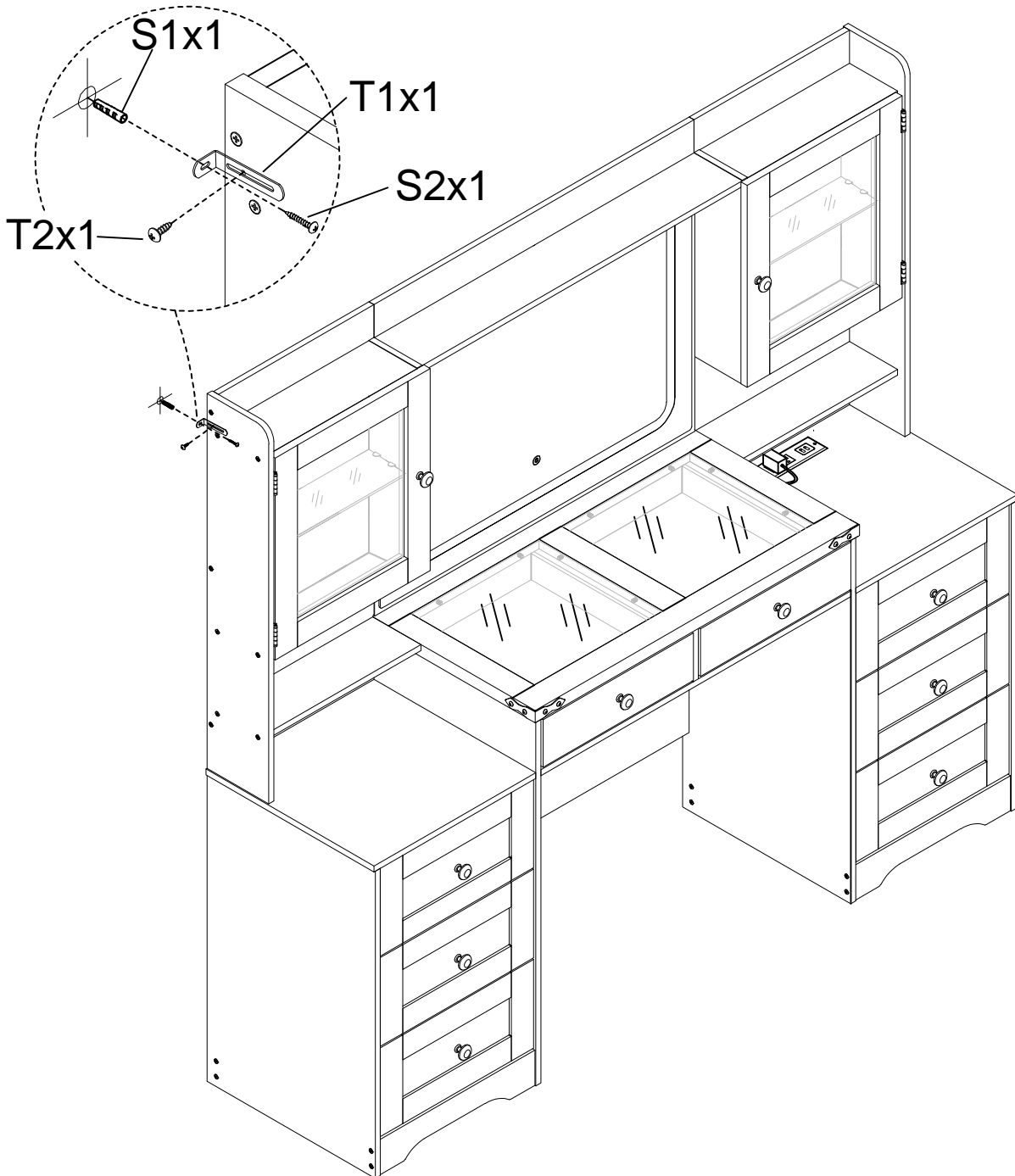
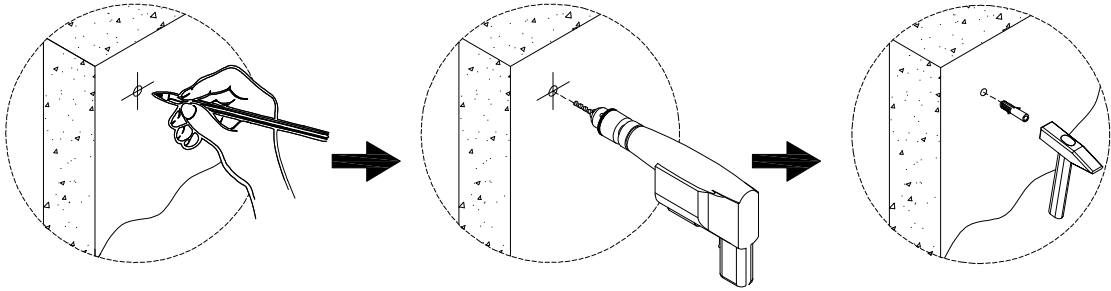


Attention ⚠


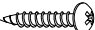
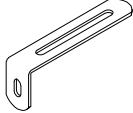
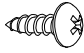
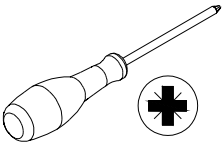



19

<p>S</p>  <p>S1 x 1</p>  <p>S2 x 1</p>	<p>T1 x 1</p> 	<p>T2 x 1</p> 	
--	---	---	---



20

<p>S</p>  <p>S1 x 1</p>  <p>S2 x 1</p>	<p>T1 x 1</p> 	<p>T2 x 1</p> 	 
--	---	---	---

