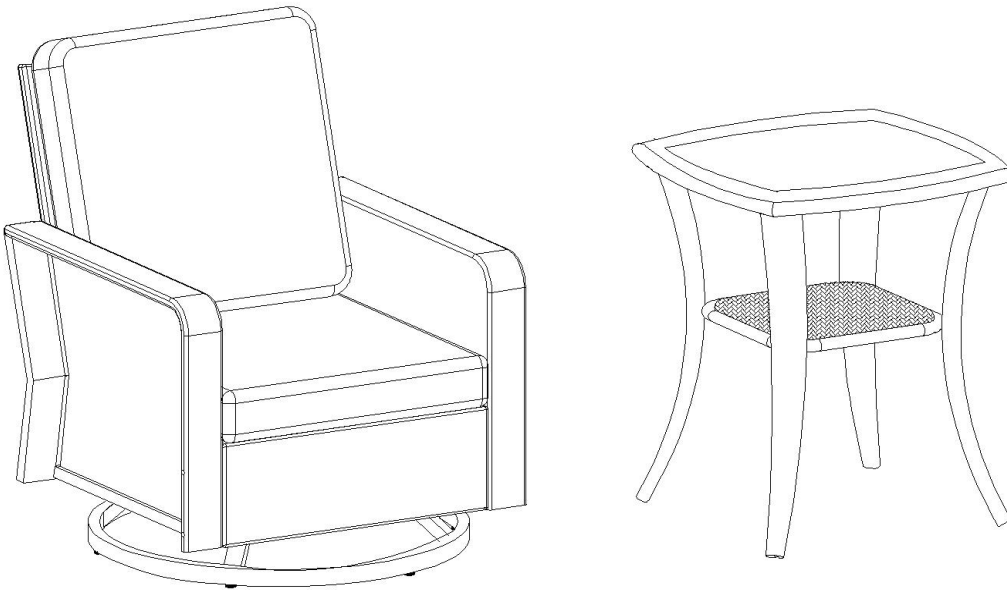


Assembly Guide

Single Swivel Chair+Side Table



Following these steps can save you up to 50% of your assembly time.

I ' m delighted to assist you.

Before starting assembly, please check the parts list to ensure all

components and accessories are complete.

If you find any missing parts or encounter any issues during assembly,

don ' t hesitate to contact me.

Please Read Carefully Before Installation

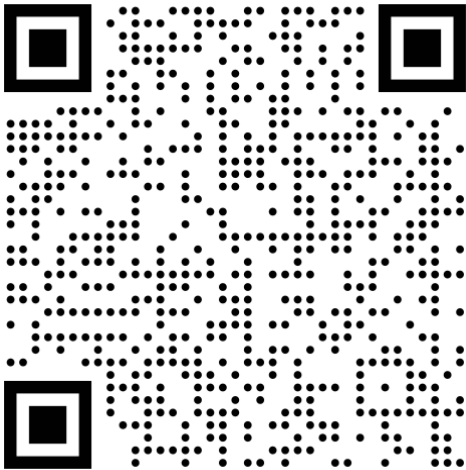
After-Sales Service Guidelines

Dear customer, thank you very much for your support!

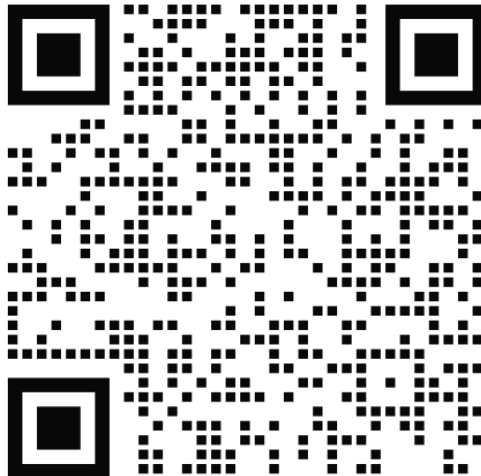


PLEASE DO NOT RETURN TO THE STORE!

If a part is lost or damaged, we will ship a replacement part free of charge, please leave your order number or order information.



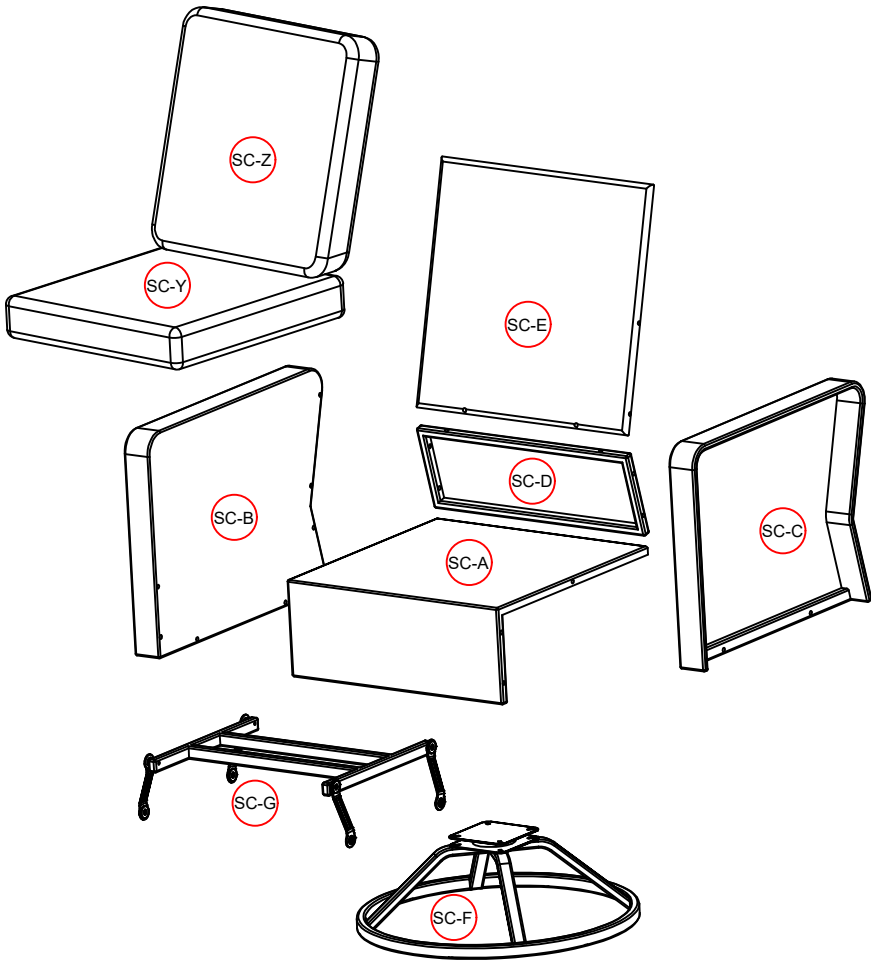
Swivel Chair Installation Video



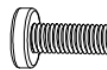
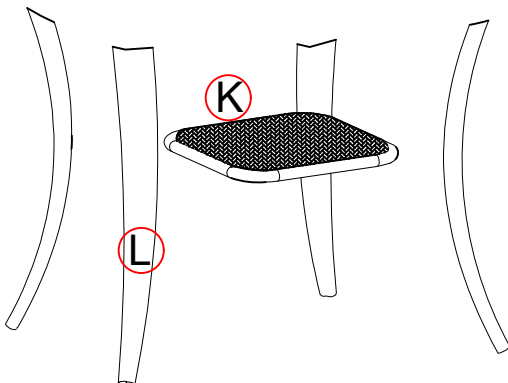
Side Table Installation Video

PARTS LIST

(Single Swivel Chair+Side Table)



- ⓈC-A **Seat Panel x1**
- ⓈC-B **Right Arm x1**
(when seated)
- ⓈC-C **Left Arm x1**
(when seated)
- ⓈC-D **Back Panel x1**
- ⓈC-E **Chair Back x1**
- ⓈC-F **Chair Base x1**
- ⓈC-G **U-shaped Fitting x1**
- ⓈC-Y **Seat Cushion x1**
- ⓈC-Z **Back Cushion x1**



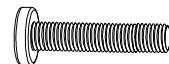
S3

Screw (M6x16mm)



S

Screw (M6x35mm)



S1

Screw (M6x40mm)



W

Washer



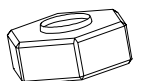
H

Allen Wrench



O

Open End Wrench



N

Screw Cover
(Self-locking nut)

Ⓢ **Table Top x1**

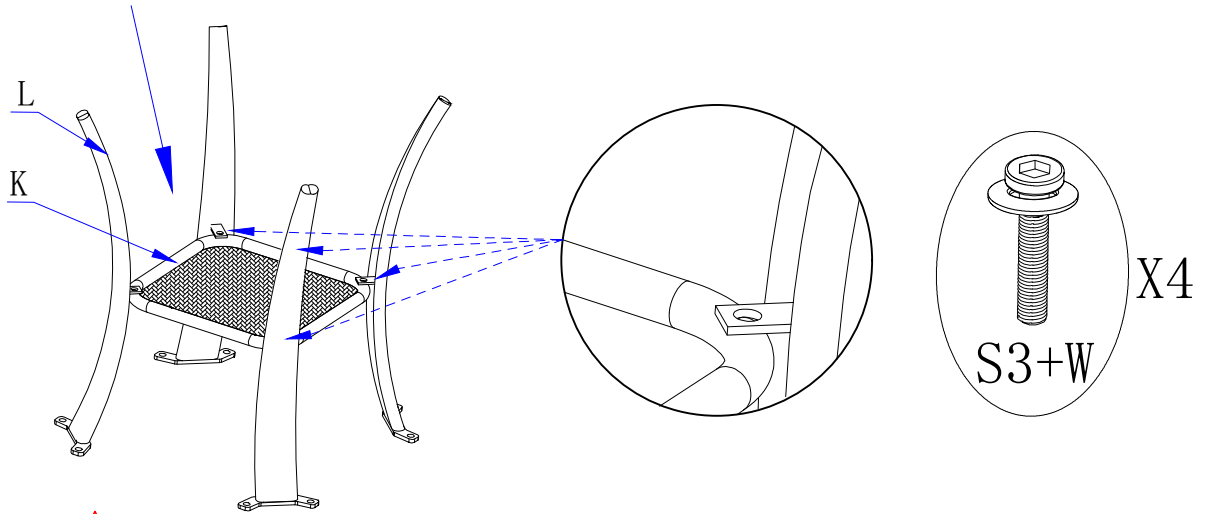
Ⓢ **Table Tray x1**

Ⓢ **Table Leg x4**

Assembly Instruction

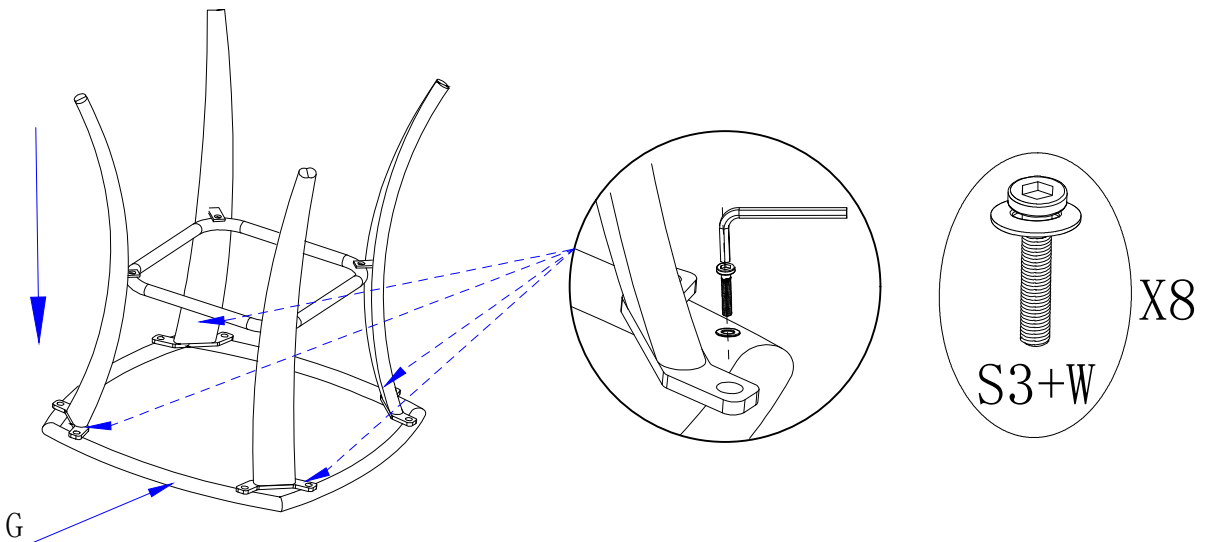
(Side Table)

STEP 1

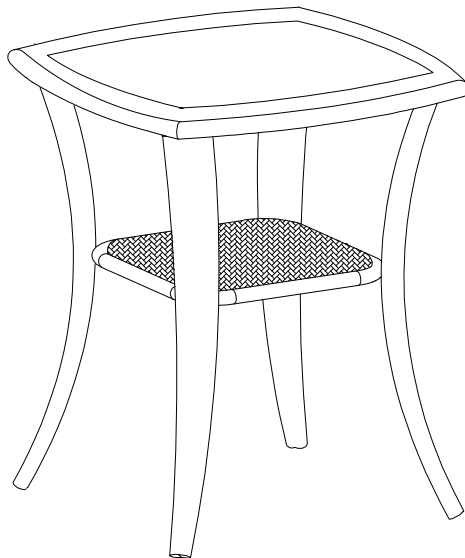


**Do not fully tighten the screws during initial assembly.
Fully tighten screws only once all pieces which are correctly assembled.**

STEP 2



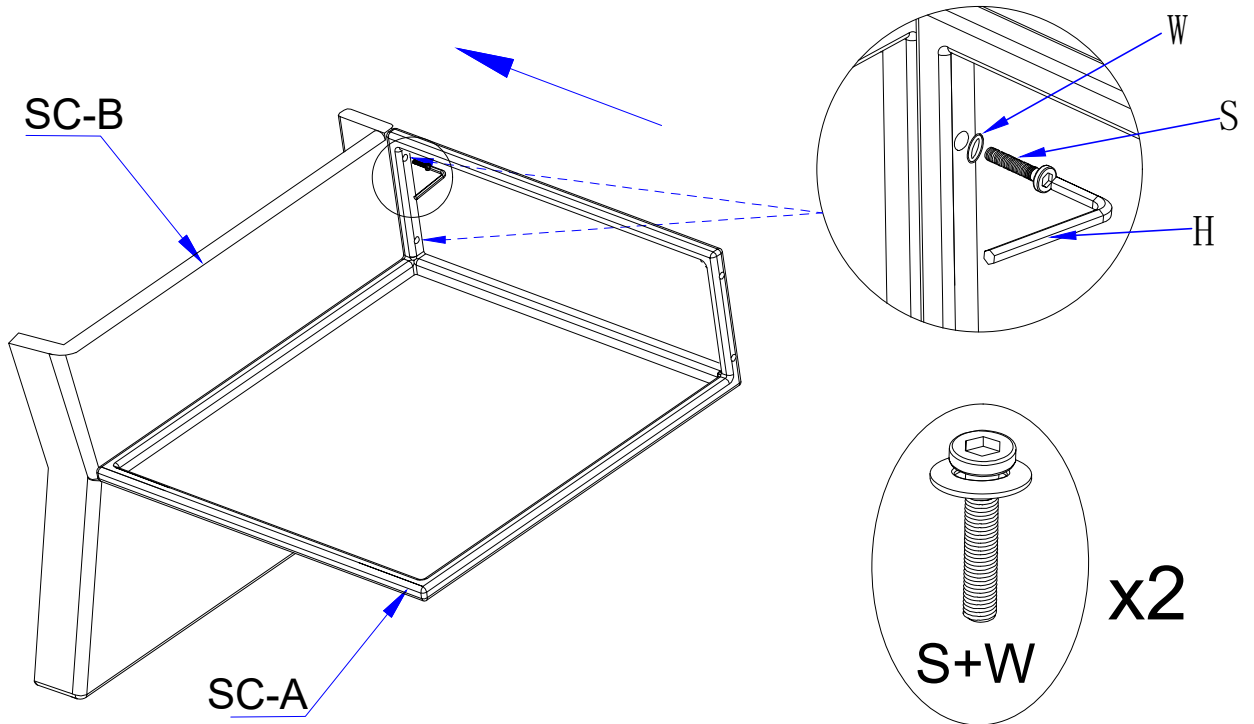
STEP 3



Assembly Instruction

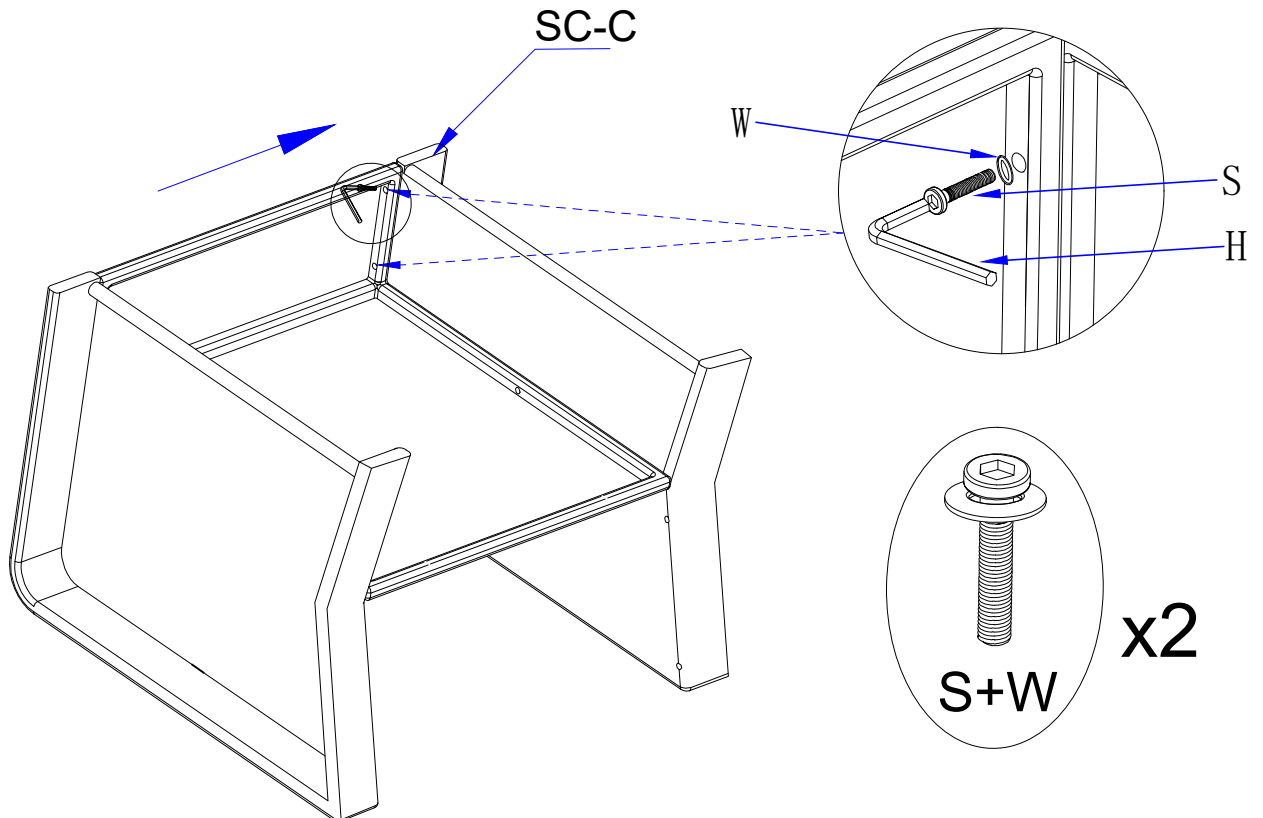
(Single Swivel Chair)

STEP 1



**Do not fully tighten the screws during initial assembly.
Fully tighten screws only once all pieces which are correctly assembled.**

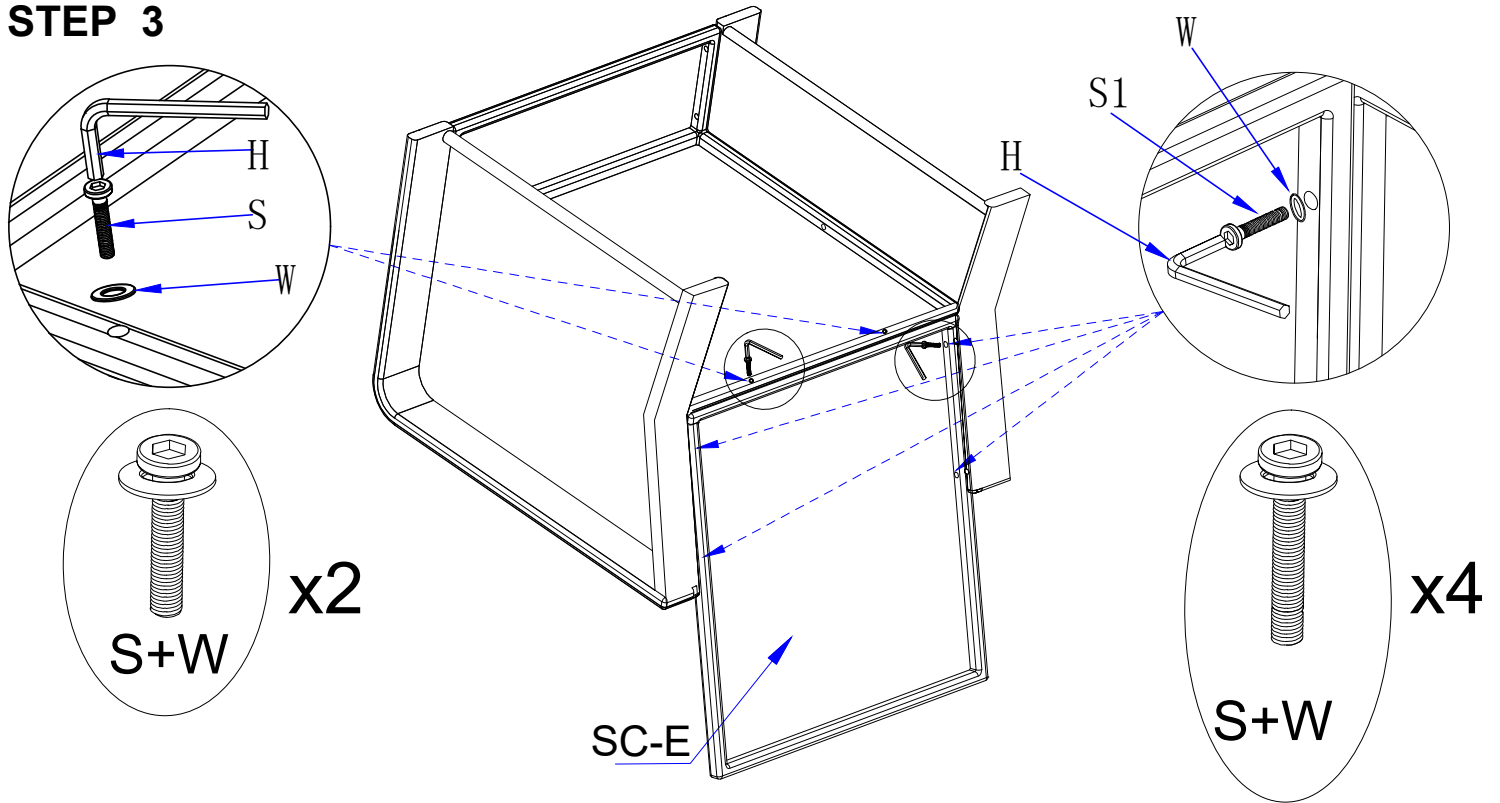
STEP 2



Assembly Instruction

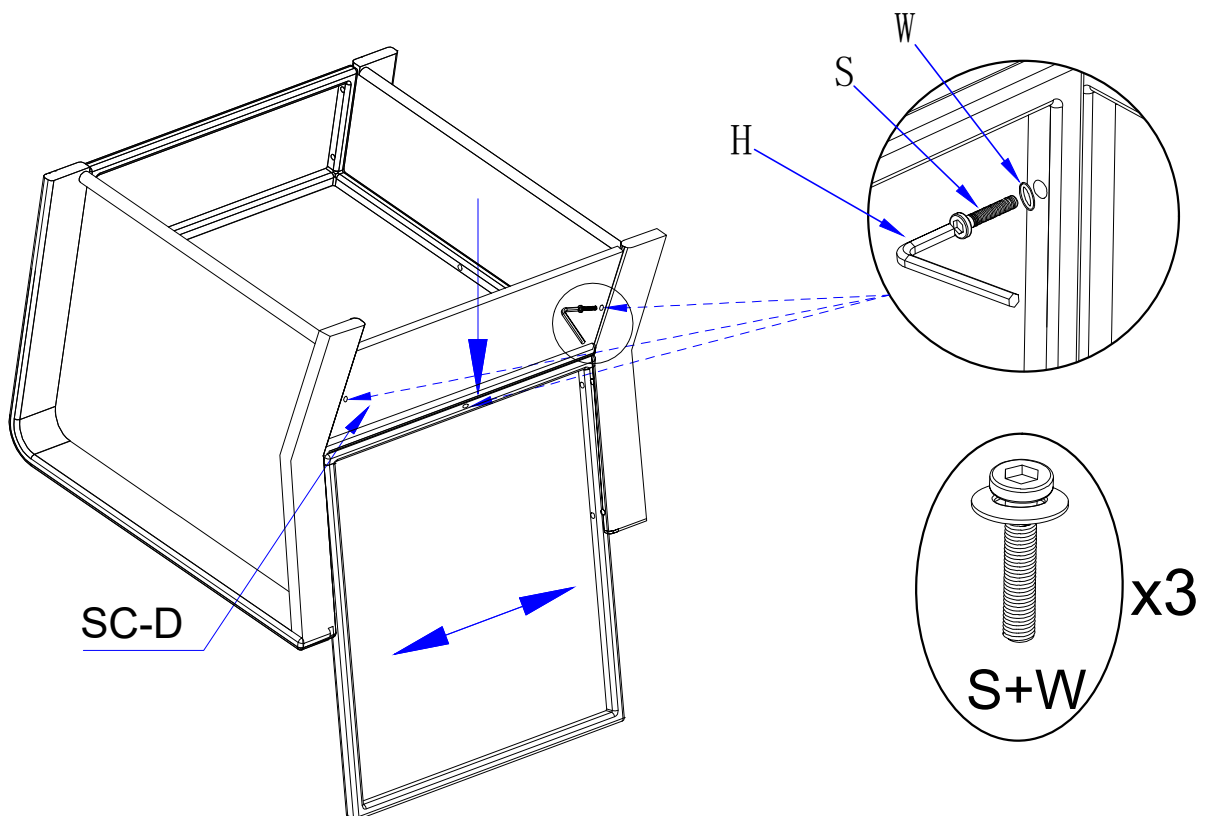
(Single Swivel Chair)

STEP 3



**Do not fully tighten the screws during initial assembly.
Fully tighten screws only once all pieces which are correctly assembled.**

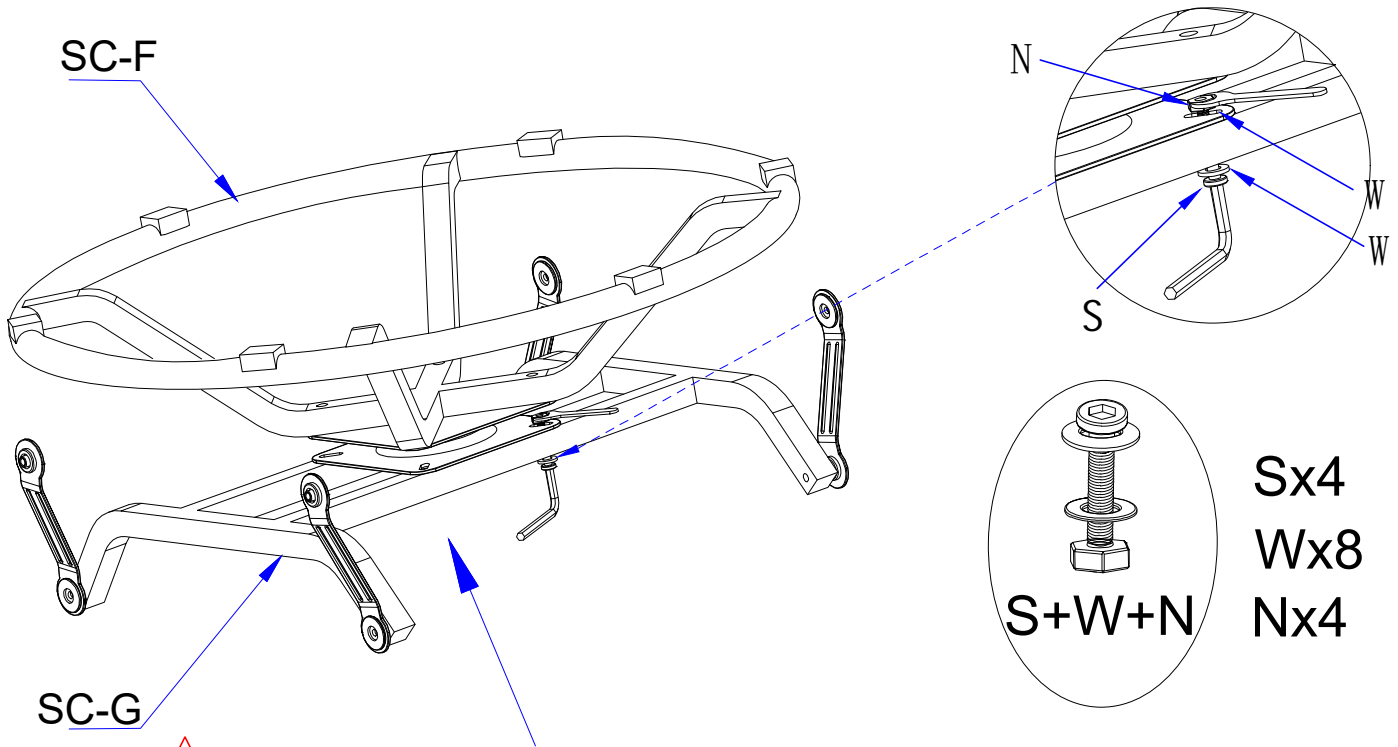
STEP 4



Assembly Instruction

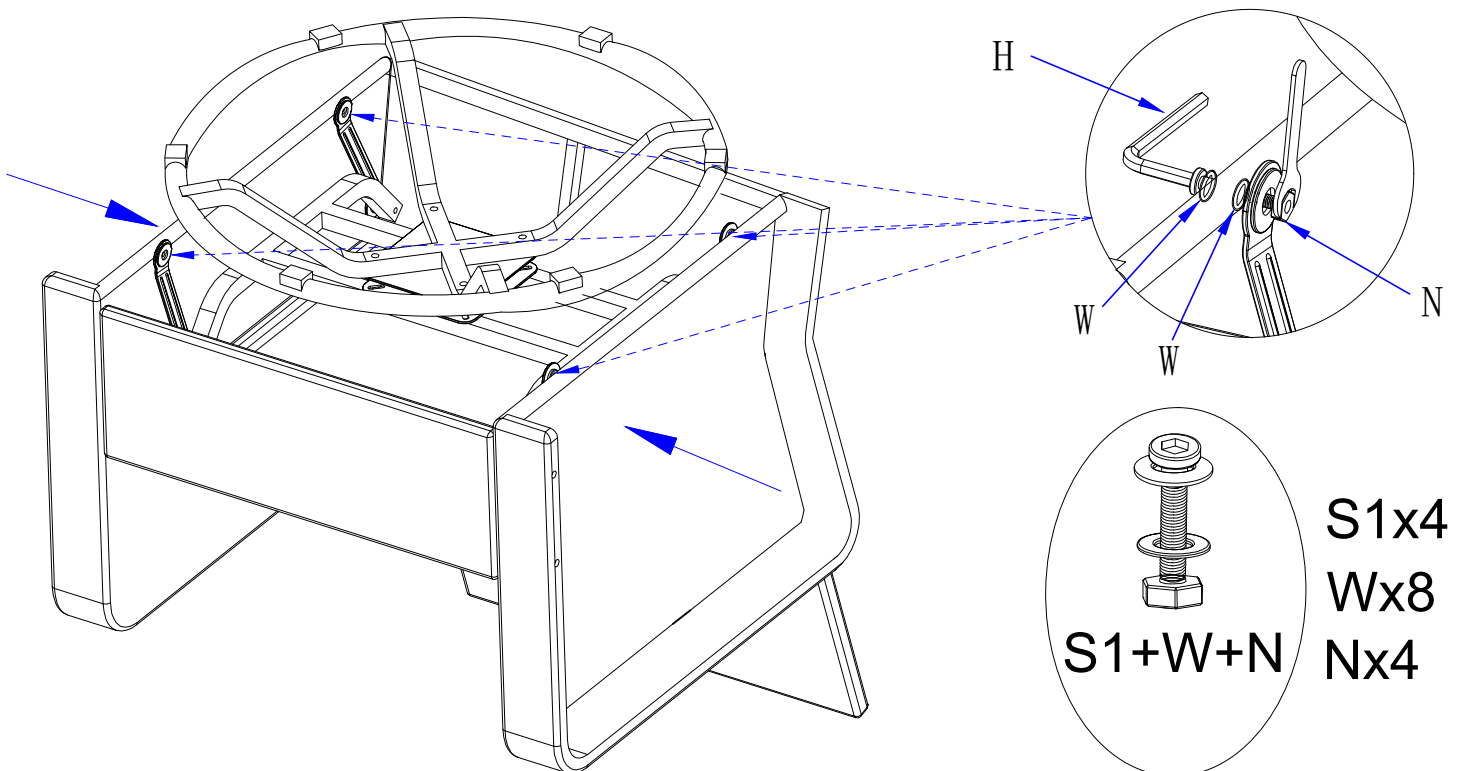
(Single Swivel Chair)

STEP 5



**Do not fully tighten the screws during initial assembly.
Fully tighten screws only once all pieces which are correctly assembled.**

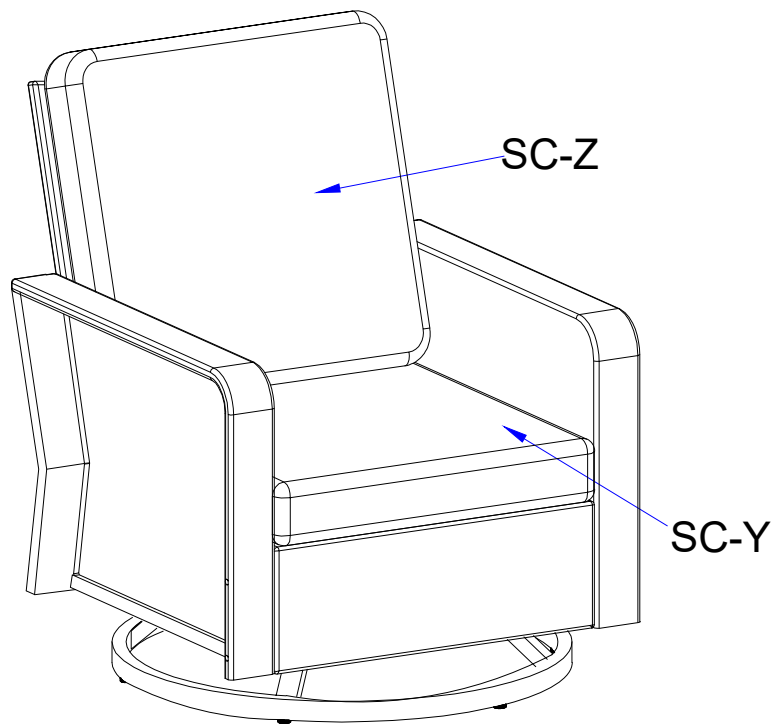
STEP 6



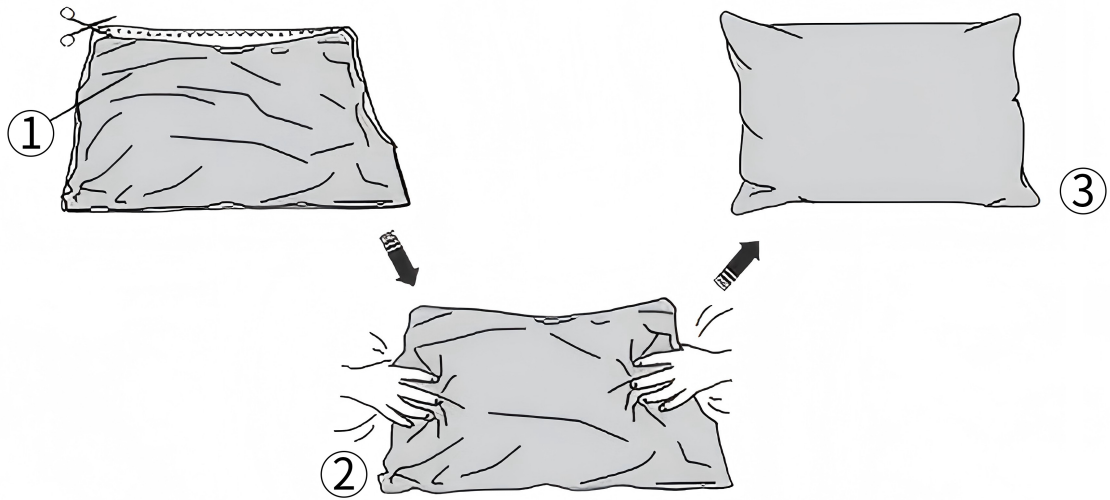
Assembly Instruction

(Single Swivel Chair)

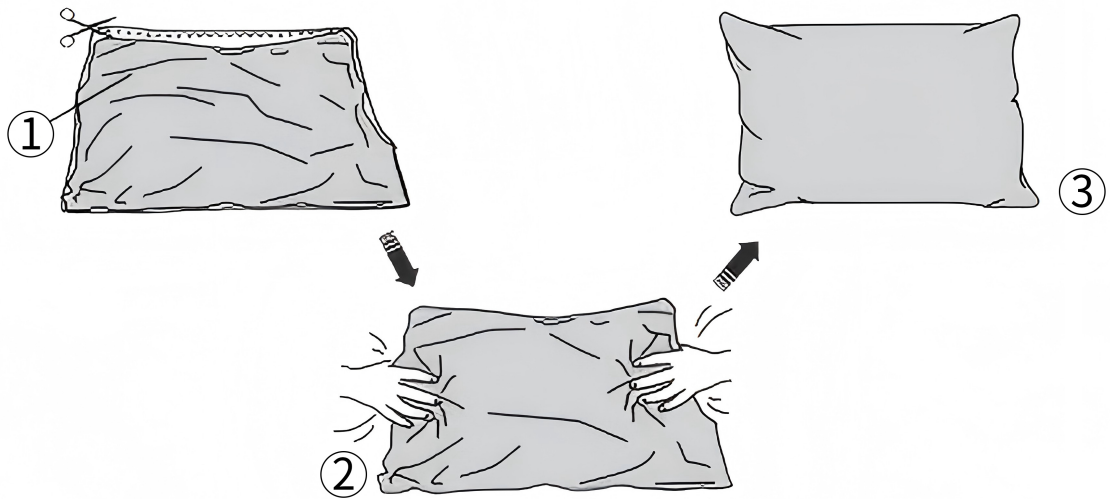
FINISH



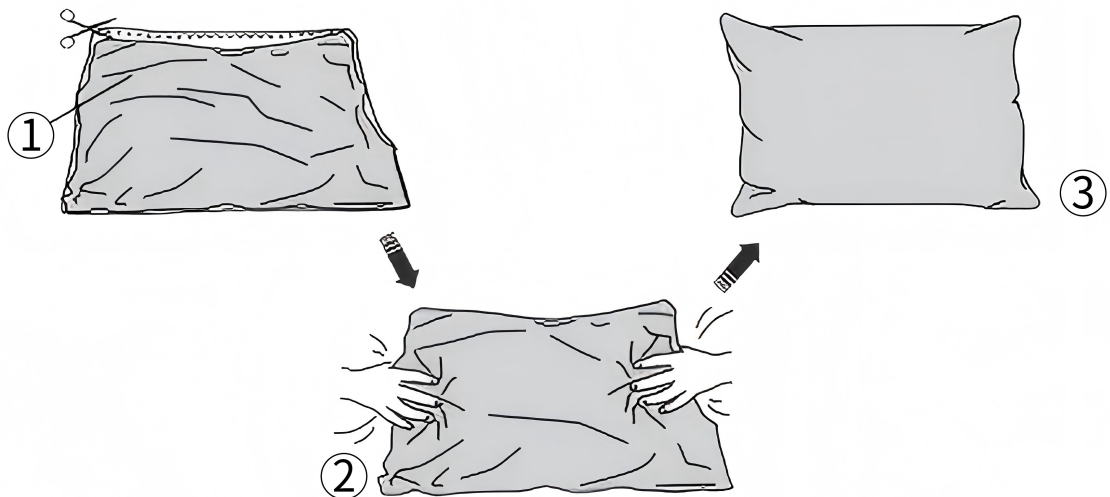
- ① Tighten all screws securely to complete the installation.
- ② Please tap the cushions and wait 48 hours to fully rebound.



Please tap the cushions and wait 48 hours to fully rebound.



Please tap the cushions and wait 48 hours to fully rebound.



Please tap the cushions and wait 48 hours to fully rebound.