

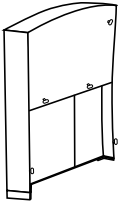
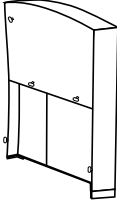
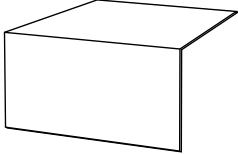
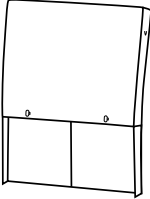
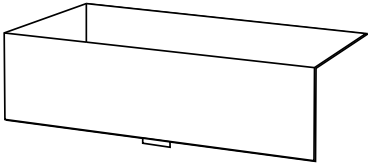
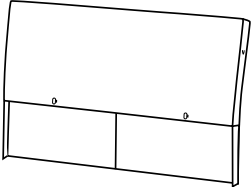
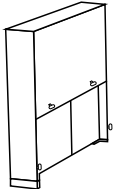
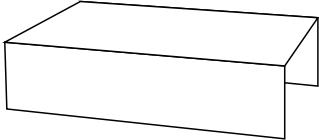

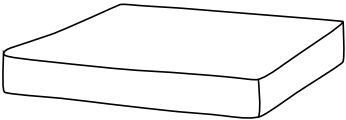
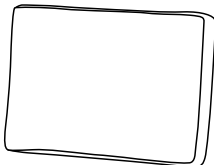
IMPORTANT:

Please read all the instructions and warnings before assembling. In order to make the whole product adjust to the best, please install all the screws on the product before full tightening!

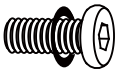

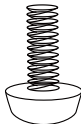

WARNING:

- _ Keep all children and pets away from assembly area. Children and pets should be supervised when they are in the area of the product construction.
- _ Keep assembly area at least 6 feet from any obstruction such as a fence, garage, house, overhanging branches, laundry line or electrical wires.
- _ Some parts may contain sharp edges. When assembling and using this product, basic safety precautions should always be followed to reduce the risk of personal injury and damage to the product. Please read all instructions before assembly and use.
- _ Check all bolts for tightness before use. **IMPORTANT** - check and tighten bolts often to keep them secure!
- _ The chairs are not to be used for standing purposes and will not function as a stool or step-ladder. Use on even surfaces only.

Parts List:

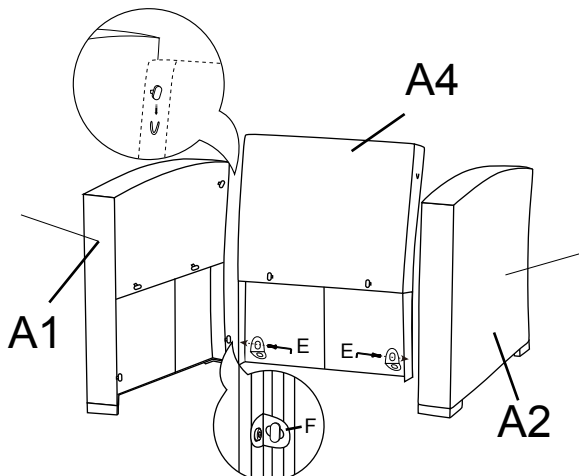
<p>A1: Left arm Qty: 3</p> 	<p>A2: Right arm Qty: 3</p> 	<p>A3: Seat panel Qty: 2</p> 
<p>A4: Back panel Qty: 2</p> 	<p>B1: Seat panel Qty: 1</p> 	<p>B2: Back panel Qty: 1</p> 
<p>C1: Side panel Qty: 2</p> 	<p>C2: Table shelf Qty: 1</p> 	<p>C3: Glass table top Qty: 1</p> 
<p>M: Seat cushion Qty: 4</p> 	<p>N: Back cushion Qty: 4</p> 	

Hardware List:

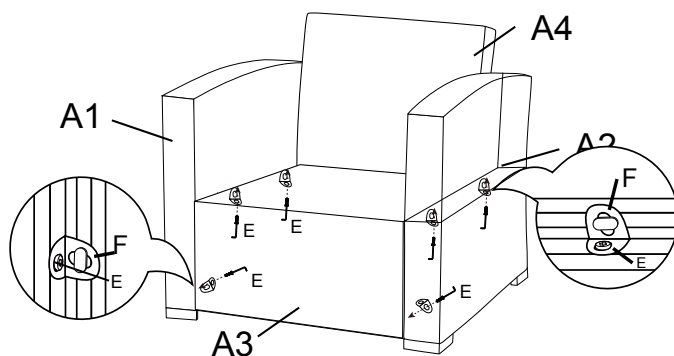
<p>E: Screw & Washer(6*16) Qty: 38</p> 	<p>F: Mounting Bracket Qty: 38</p> 	<p>G: Adjusting Screw Qty: 17</p> 
<p>I: Hexagonal wrench Qty: 1</p> 		

To Assemble:

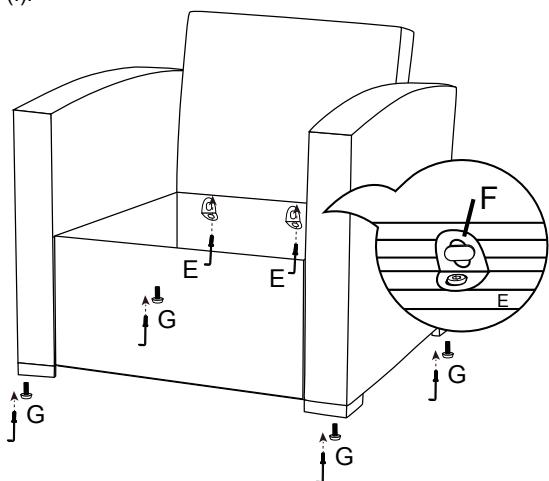
Step 1: Using the plug on the top right corner of the back panel (A4) to connect the right arm (A2). Fully install the right arm (A2) to the back panel (A4) with 1 screw, washer, and mounting bracket (F) as shown below. Repeat same procedure to the other arm (A1).



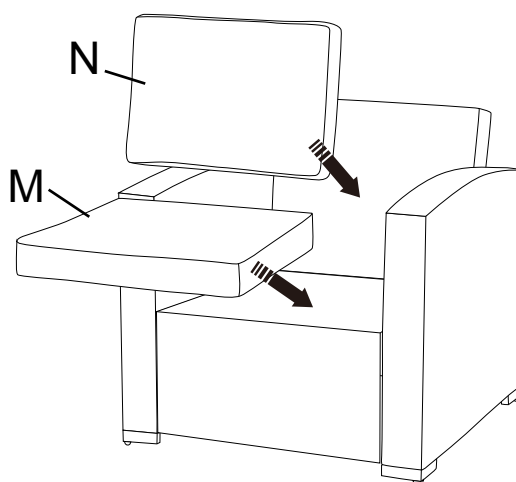
Step 2: Install the seat panel (A3) to the right arm (A2) with 3 pcs screws & washers and 3 pcs mounting brackets (F) as below diagram. Do not full tighten now and repeat the same procedure to the other arm (A1).



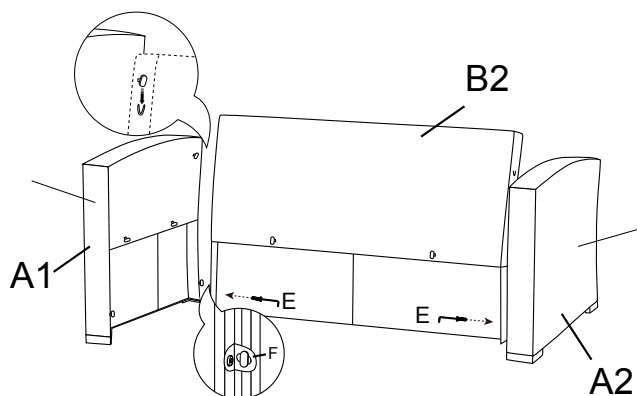
Step 3: Connect the seat panel (A3) to the back panel (A4) with two screws, washers, and mounting brackets (F), then using four adjusting screws (G) to attach the chair feet. Verify the alignment and adjust it if necessary and fully tighten all the screws by using the hexagonal wrench (I).



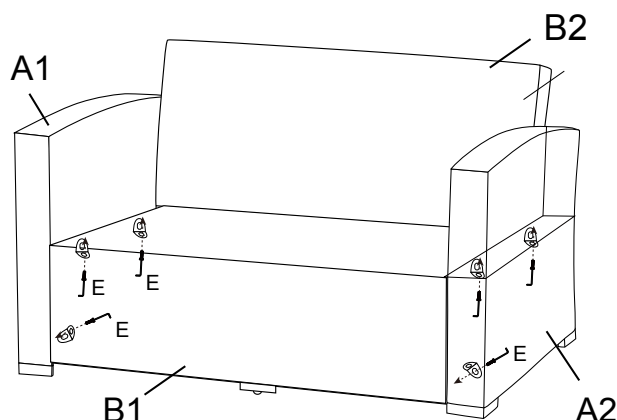
Step 4: Place the seat cushion (M) and back cushion (N) on the assembled chair.



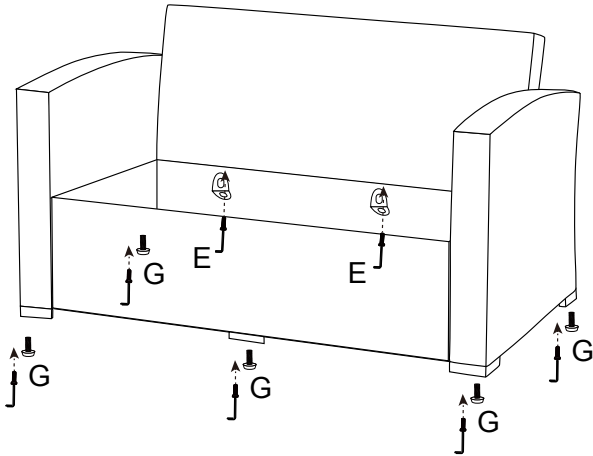
Step 5: Using the plug on the top right corner of the back panel (B2) to connect the right arm (A2). Fully install the right arm (A2) to the back panel (B2) with 1 screw, washer, and mounting bracket (F) as shown below. Repeat same procedure to the other arm (A1).



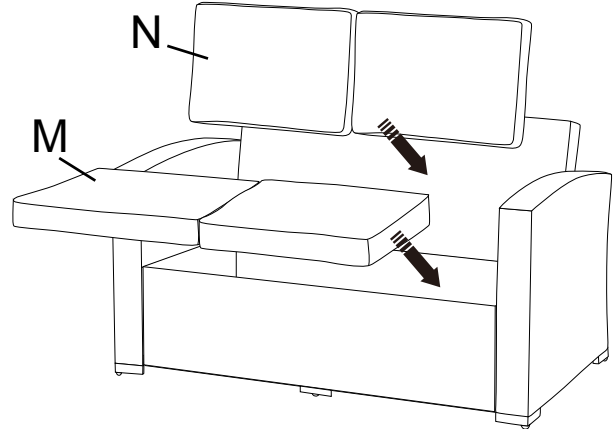
Step 6: Install the seat panel (B1) to the right arm (A2) with three screws, washers, and mounting brackets (F) as shown below. Do not fully tighten screws and repeat the same procedure to the other arm (A1).



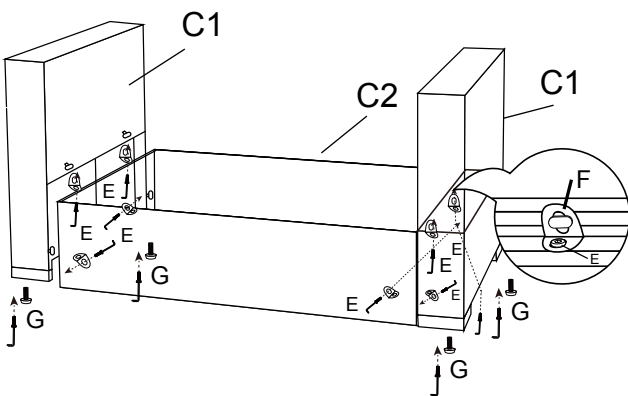
Step 7: Connect the seat panel (B1) to the back panel (B2) with two screws, washers, and mounting brackets (F), then using five adjusting screws (G) to attach the loveseat feet. Verify the alignment and adjust if necessary and fully tighten all the screws by using the hexagonal wrench (I).



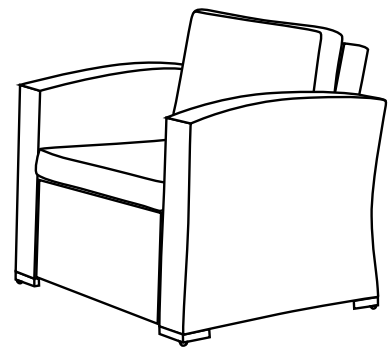
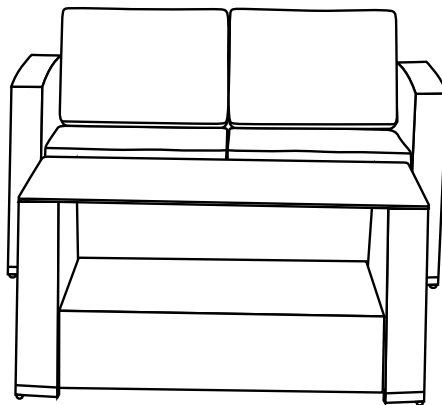
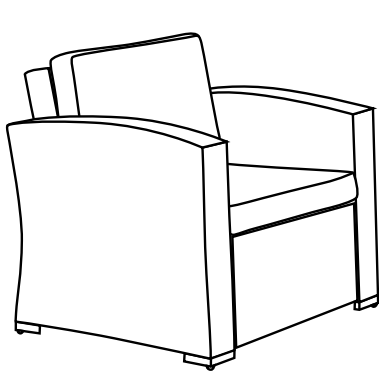
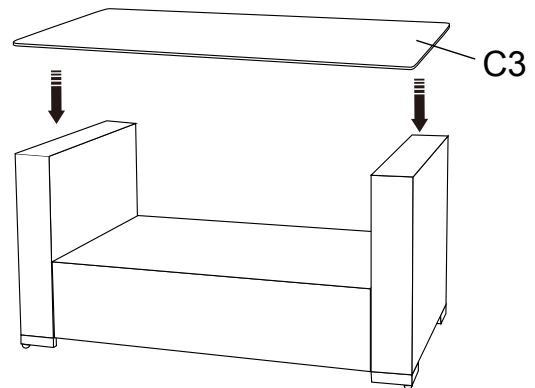
Step 8: Place the seat cushion (M) and back cushion (N) on the assembled loveseat.



Step 9: Install one table leg (C1) to the table shelf (C2) with four screws, washers, and mounting brackets (F), then using four adjusting screws (G) to attach the table feet. Follow the same procedure to install the other leg.



Step 10: Verify the alignment and adjust if necessary, fully tighten all the screws by using a hexagonal wrench (I). Place the glass table top (C3) on the frame.



Care & Maintenance:

SPILLS:

Immediately wipe up the spill using a white damp cloth. Repeat process if necessary until stain is gone. Allow cushion to air dry.

FABRIC CARE:

Hand wash cold, non-chlorine bleach when needed, lay flat to dry. Or remove cushion cover, wash with hands, non-chlorine bleach. Air dry. Cool iron if necessary. Do not dry clean.

RESIN WICKER PRODUCT CARE:

Before using, clean the product completely with a soft dry towel. When not in use, wipe free of any dirt or loose objects, wash with a mild solution of soap and water; rinse thoroughly and dry completely. Do not use strong detergent or abrasive cleaners. Over time nuts and bolts can loosen. Occasionally, check nuts and bolts on all chairs and table, re-tighten if necessary.