

L-Shape Desk

Users' Guide

Please read this guide carefully before installing and using furniture and keep it properly.

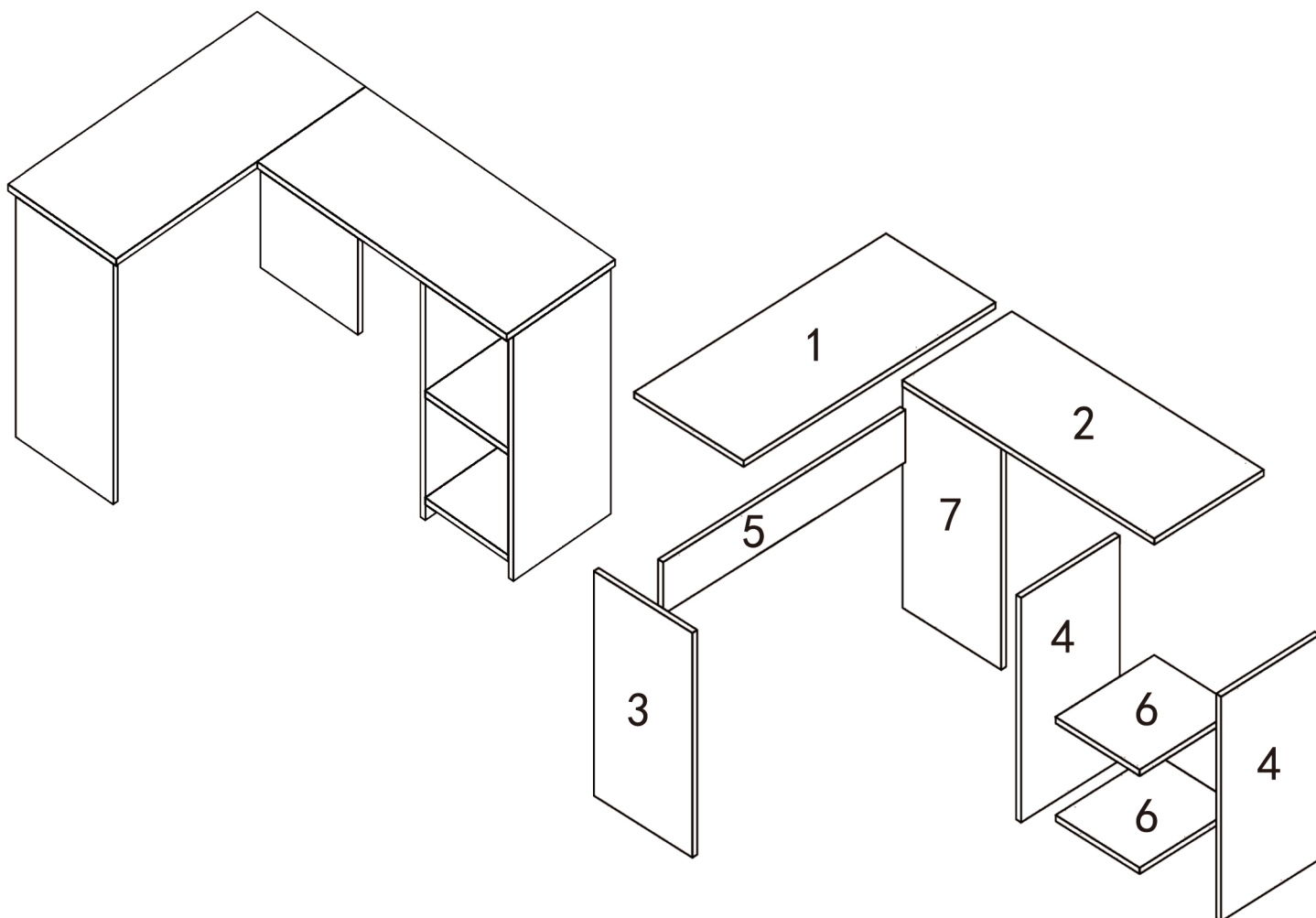
Thank you for purchasing products. Before you open the box, please check whether the product packaging is intact. After unpacking, please read this guide in detail and check the product parts and hardware accessories for missing conditions or quality problems. If there is a problem with the product, please take pictures from multiple angles that clearly reflect the defects of the product and contact the service team. Please keep this guide properly for future reference.

Introduction

- Product Name: L-Shape Desk
- Applications: Bedroom, Living Room, Office, School
- Product Dimension: W108 * D135 * H73.2cm
- Model Name: F1012CT20BK/F1012CT21WT
- Applicable Environment: In an ideal environment, the temperature is between 18°C - 28 °C / 64.4 ° F-82.4 °F, the humidity is between 35% -65%.

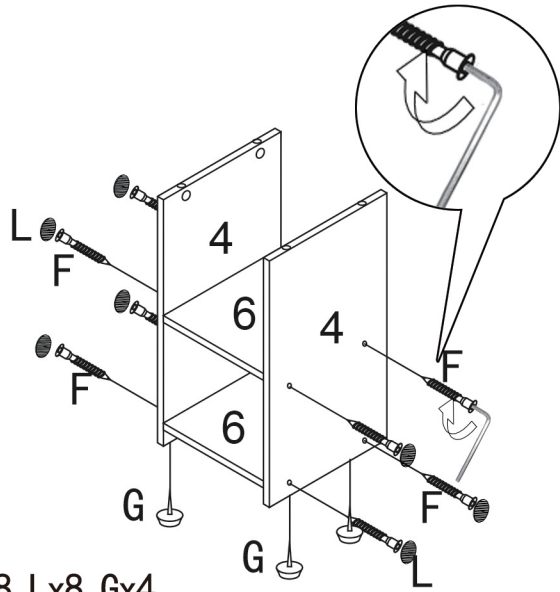
Product Picture and Usage Notice

- The product display and disassembled as shown below:



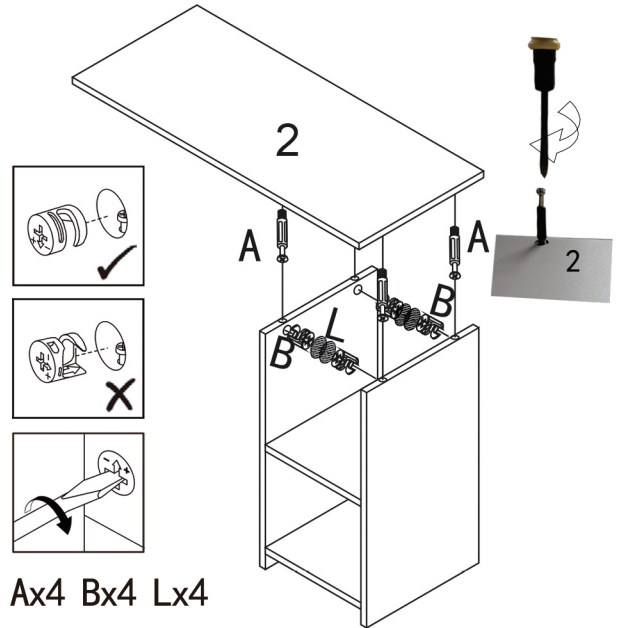
Installation Steps

1



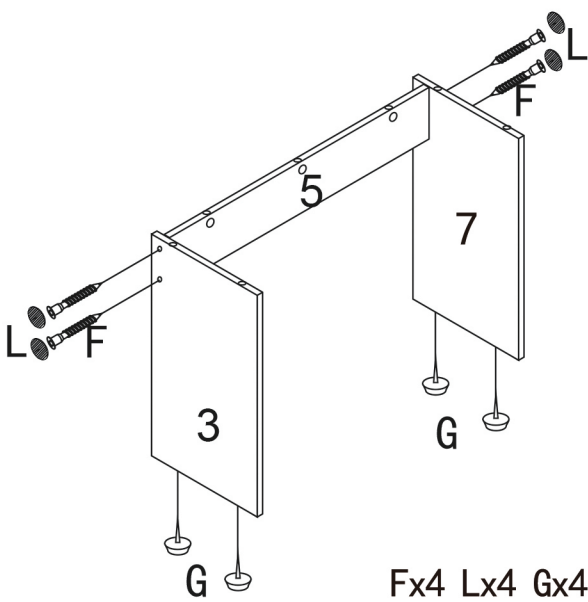
Fx8 Lx8 Gx4

2



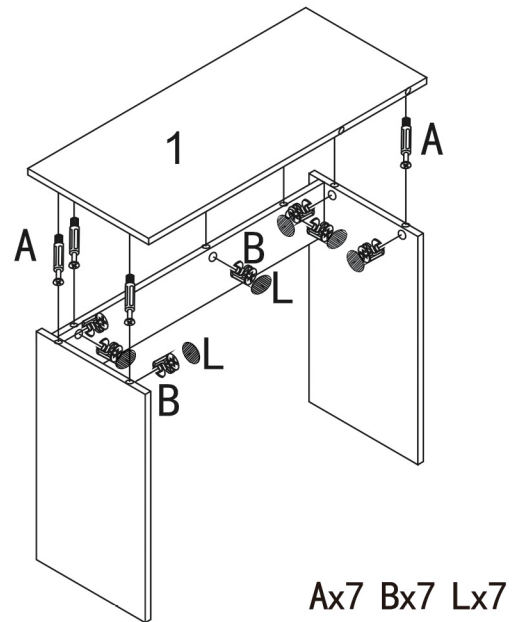
Ax4 Bx4 Lx4

3



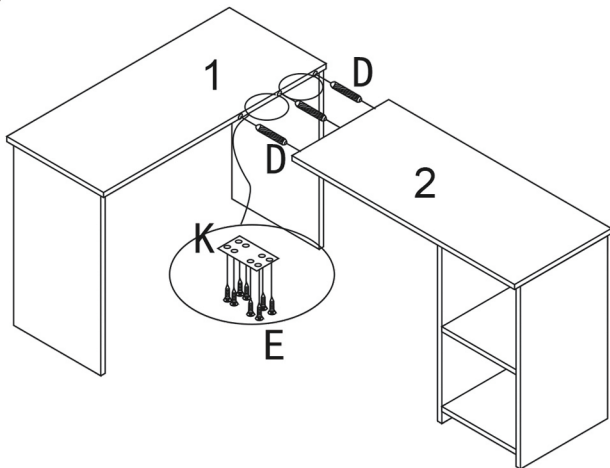
Fx4 Lx4 Gx4

4



Ax7 Bx7 Lx7

5



Dx3 Kx2 Ex16

6

