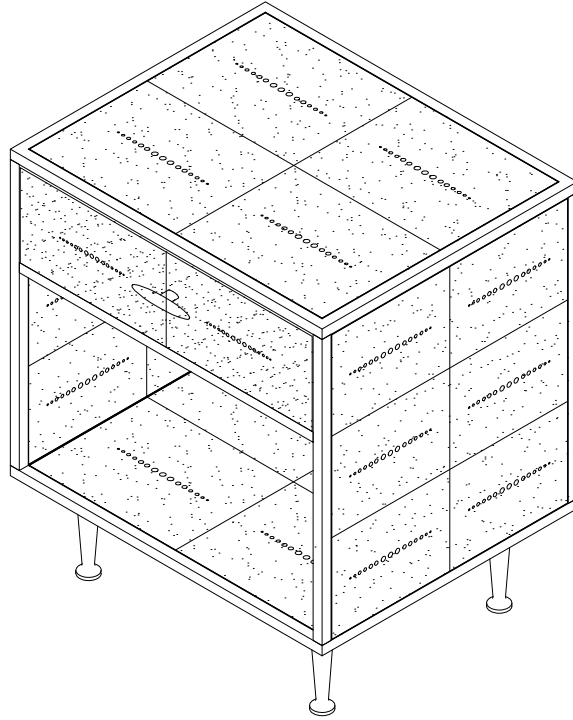


ASSEMBLY INSTRUCTION

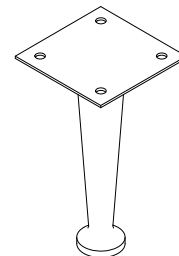
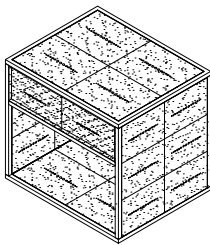
BEDSIDE TABLE

Thank you for purchasing this quality product. Be sure to check all packing material carefully for small parts which may have come loose inside the carton during shipment. Identify and count all parts and compare with the parts list below.



PRODUCT SIZE: 560Wx458Dx660H

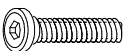


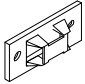
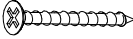
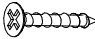



PART LIST



Part 1 (1 pc)

Part 2 (4 pcs)

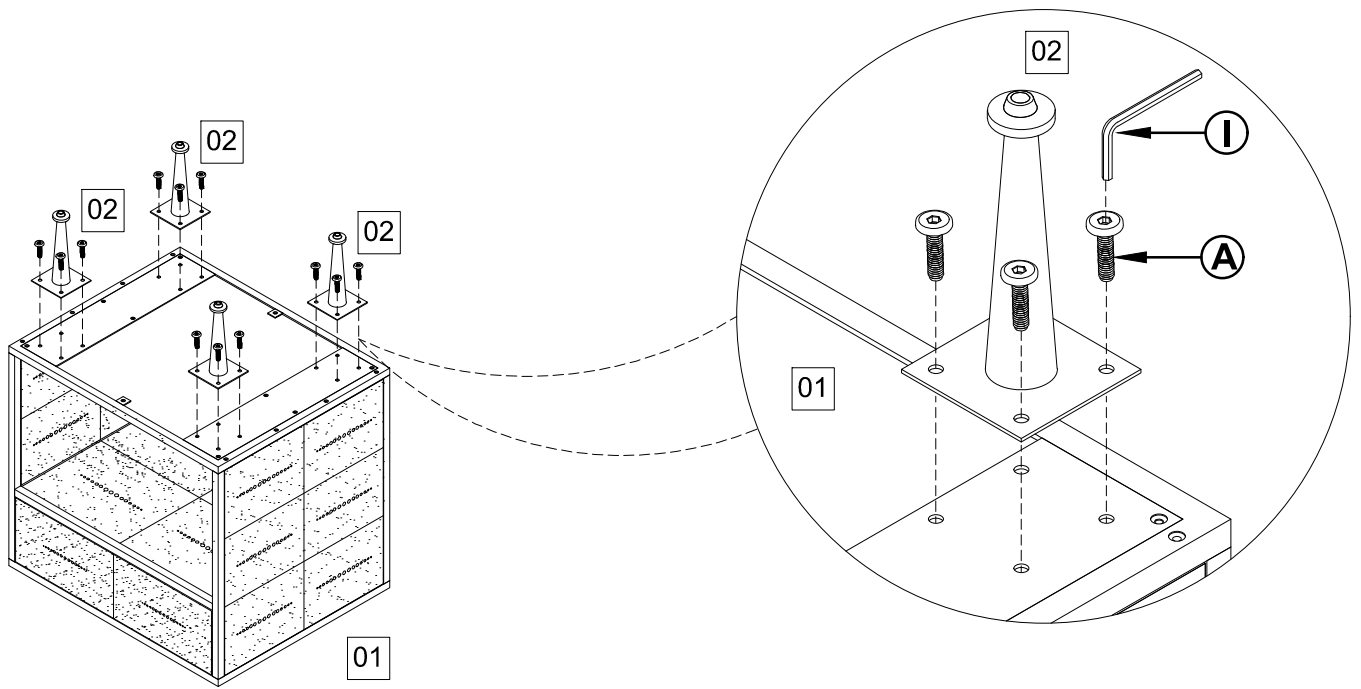
HARDWARE LIST

								
A. Bolt M6x10 (16 pcs)	B. Handles (1 pc)	C. Bolt M4x40 (2 pcs)	D. Mounting bracket (4 pcs)	E. Screws M4x40 (4 pcs)	F. Screws M4x15 (4 pcs)	G. Plastic anchor M4x40 (4 pcs)	H. Cable ties (2 pcs)	I. Allen key M4 (1 pc)

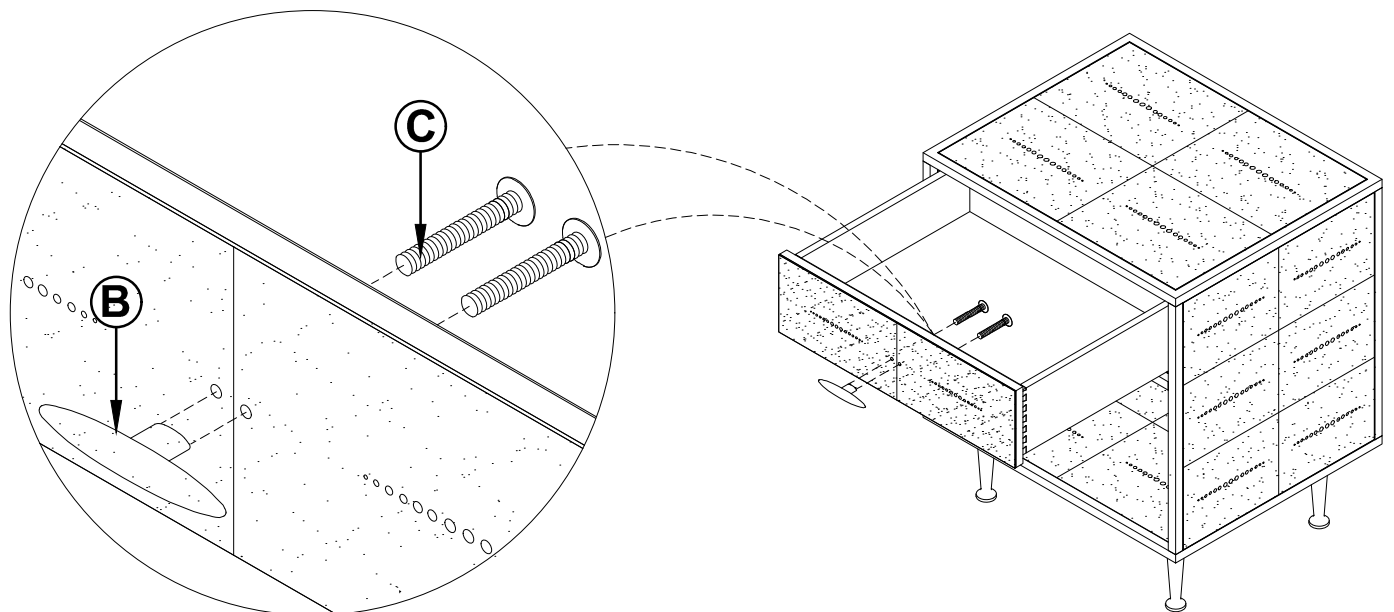
MADE IN VIETNAM

PAGE 1

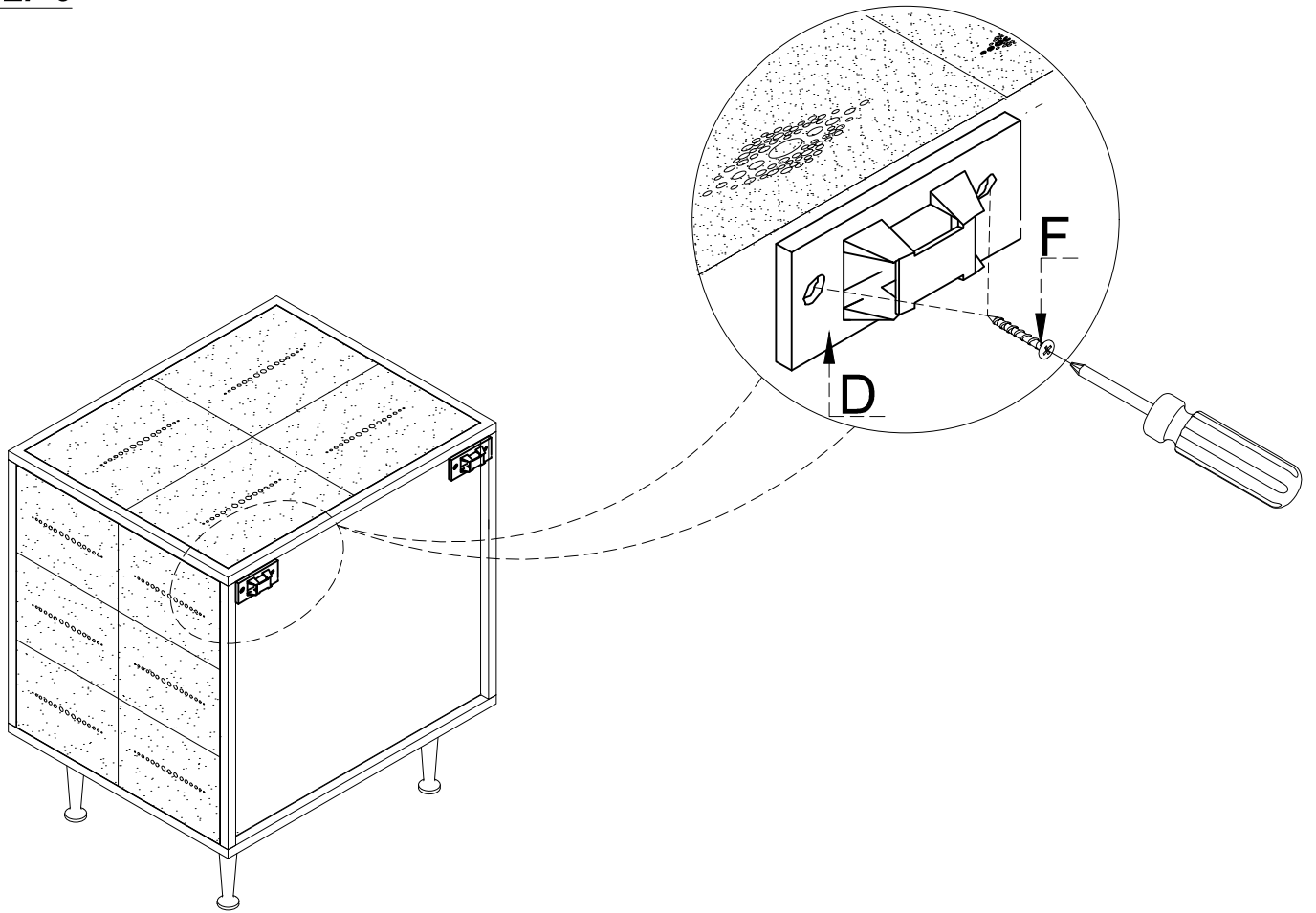
STEP 1



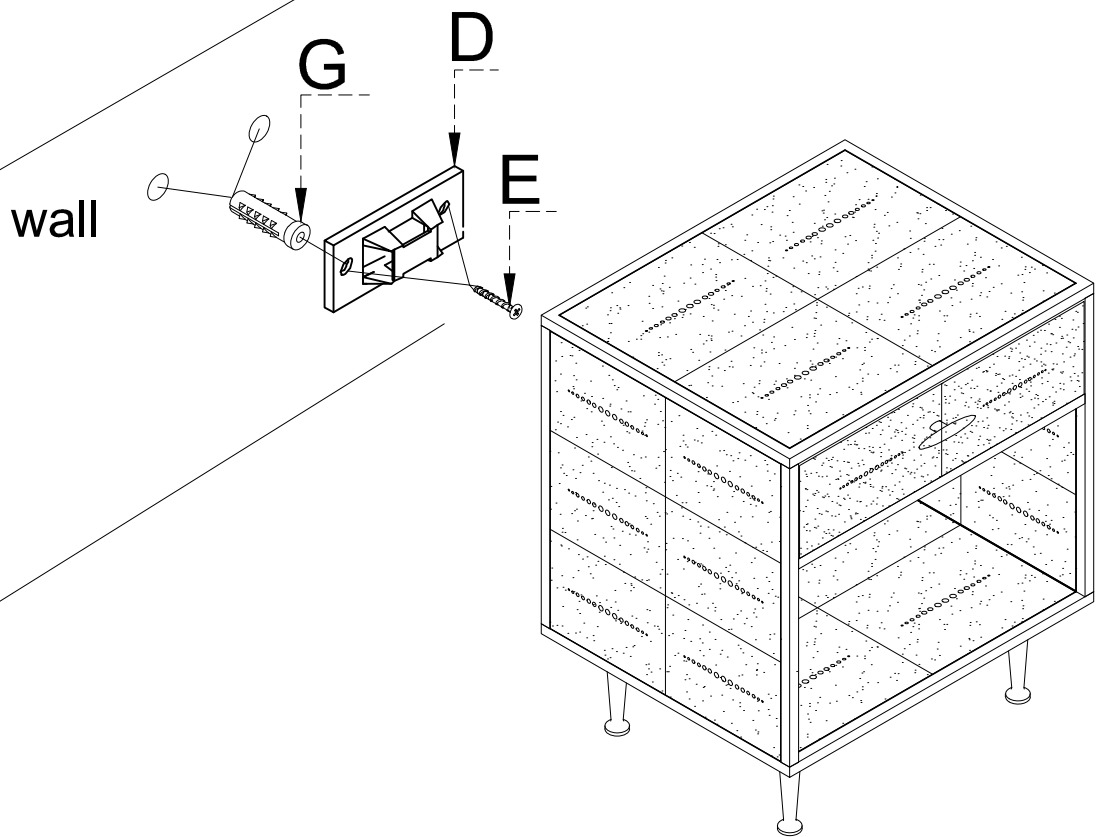
STEP 2



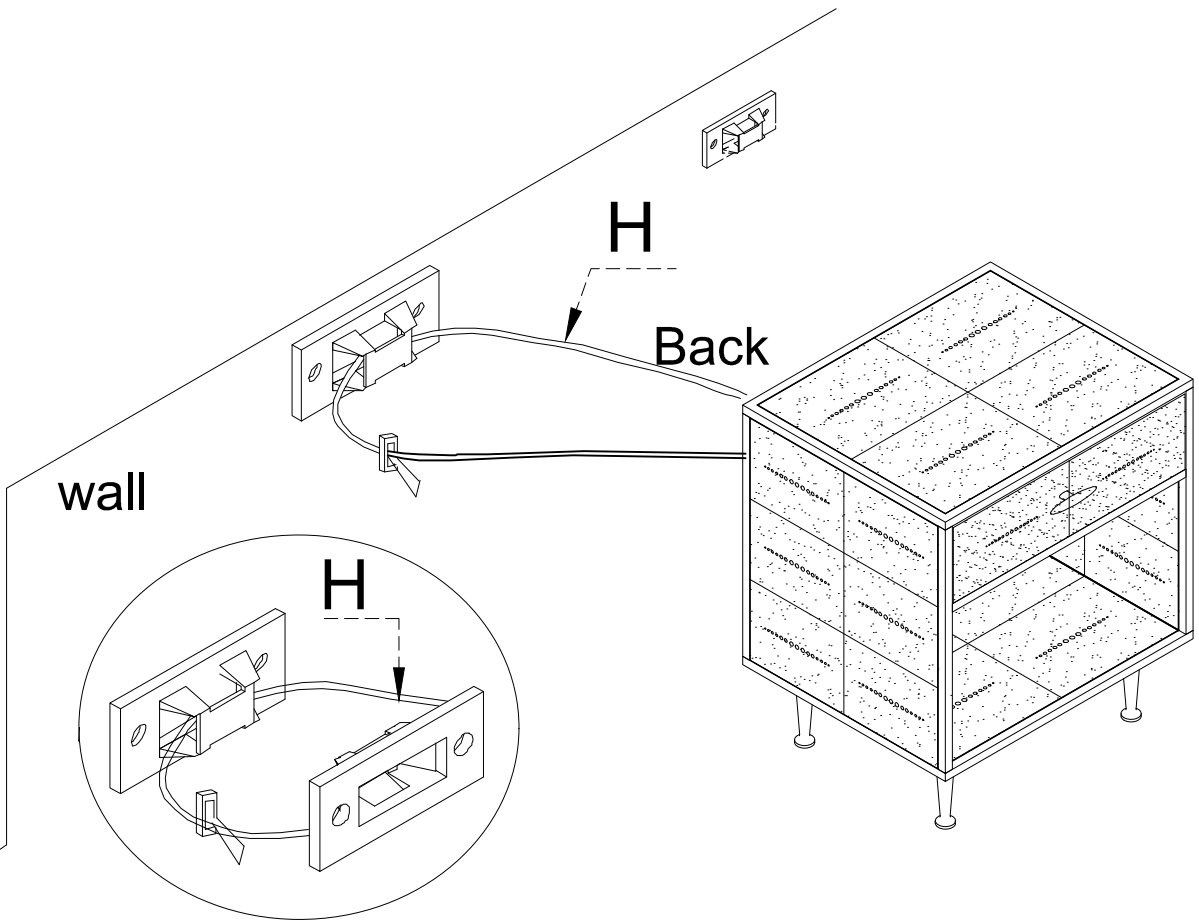
STEP 3



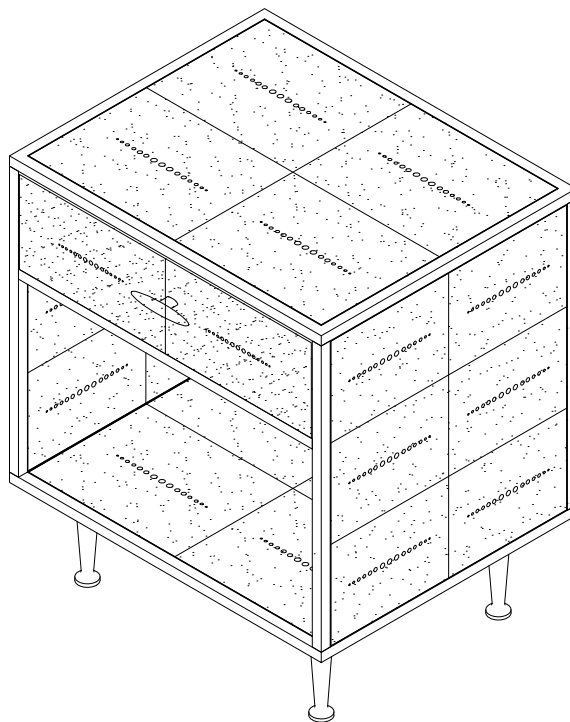
STEP 4



STEP 5



FINAL



Adjusting Floor Levelers

Your furniture has been expertly crafted and pre-adjusted by professionals. However, slight shifts can occur during transportation. If you notice that the furniture wobbles, a quick adjustment can help ensure stability and a seamless look.

Adjust the Floor Levelers

Check for Stability - Place the furniture in its final position on a level surface. If it wobbles or doesn't sit evenly, the floor levelers need adjusting.

Locate the Levelers - These are small adjustable feet found at the bottom corners of your furniture.

Adjust as Needed - Using your hand or a wrench, turn the levelers clockwise to raise or counterclockwise to lower the furniture. Make small adjustments and check stability after each turn.

