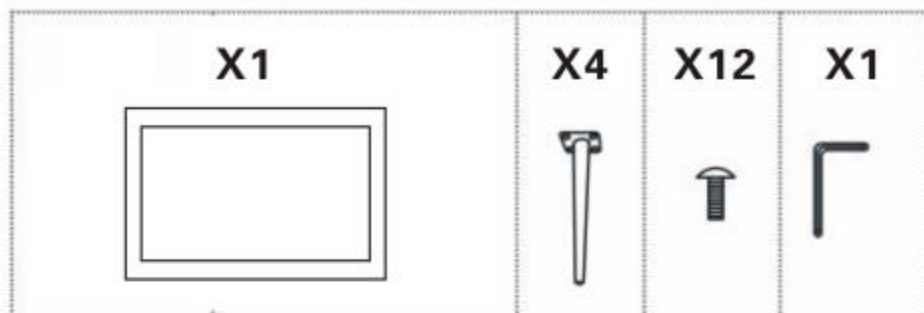
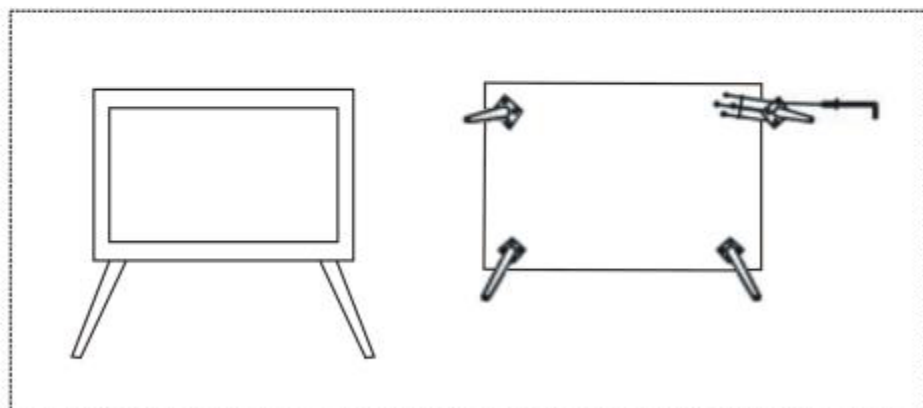


INSTALLATION INSTRUCTION



Note: Put all the screws into the hole site, and then tighten them, do not tighten one by one



Notice: After you used it .please takeoff the protection cover