

# ASSEMBLY INSTRUCTION

Thank you for purchasing this quality product. Be sure to check all packing material carefully for small parts which may have come loose inside the carton during shipment. Separate, identify and count all parts and hardware. Compare with the parts list to be sure all parts are present.

**IMPORTANT : PLEASE READ INSTRUCTION BEFORE STARTING THE ASSEMBLY.**

**"DO NOT TIGHTEN SCREWS UNTIL COMPLETELY ASSEMBLED"**

**"DO NOT OVERTIGHT ANY HARDWARE"**

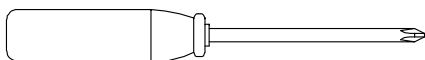
**WARNING : SMALL PARTS AND HARDWARE NOT FOR CHILDREN UNDER 3 YEARS. ADULT ASSEMBLY REQUIRED.**

## TABLE OF CONTENTS

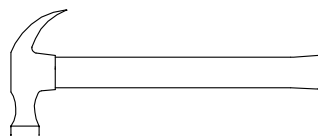
HARDWARES LIST	PAGE 2
PARTS LIST	PAGE 3 - 4
PARTS' LOCATION	PAGE 5
ASSEMBLY STEPS	PAGE 6 - 19
ASSEMBLY COMPLETED	PAGE 19

## ASSEMBLY TOOLS REQUIRED

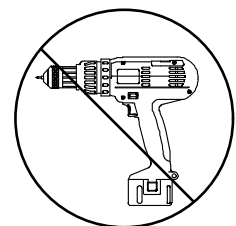
### 1. Screwdriver (not provide)



### 2. Hammer (not provide)


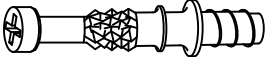


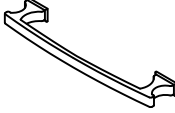
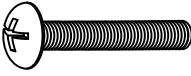
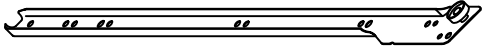
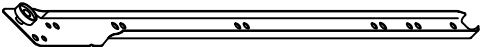



Skip the power trip this time.



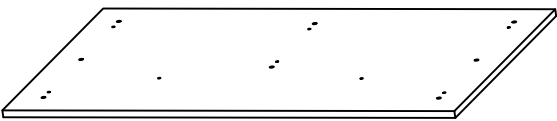
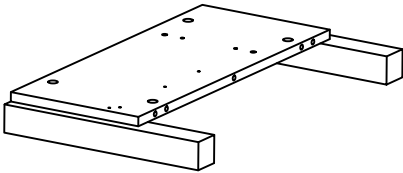
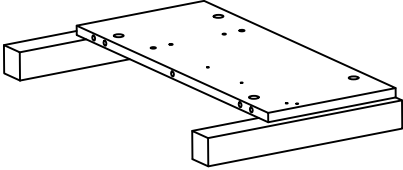
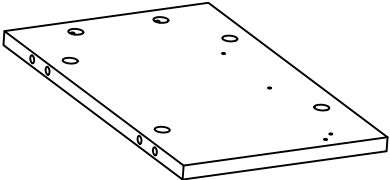
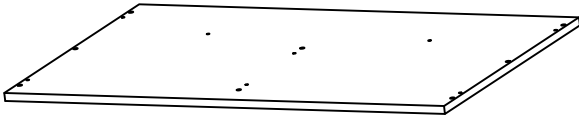

# ASSEMBLY INSTRUCTION

## HARDWARES LIST

ITEM	DESCRIPTION	DRAWING	QTY
A	MINIFIX CAM LOCK		34 PCS
B	MINIFIX CAM BOLT		34 PCS
C	WOOD DOWEL (M8 x 25MM)		22 PCS
D	WOOD DOWEL (M6 x 25MM)		16 PCS
E	HANDLE		2 PCS
F	TRUSS M-SCREW (28MM)		4 PCS
M	LEFT DRAWER SLIDE		2 PCS
N	RIGHT DRAWER SLIDE		2 PCS
O	CSK SCREW M3 x 10mm		16 PCS

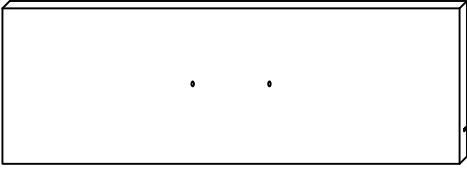
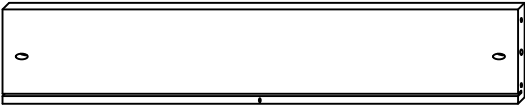

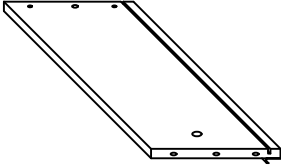
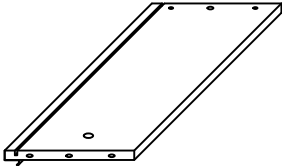
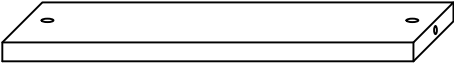
# ASSEMBLY INSTRUCTION

## PARTS LIST

ITEM	DESCRIPTION	DRAWING	QTY
1	TOP PANEL		1 PC
2	LEFT PANEL		1 PC
3	RIGHT PANEL		1 PC
4	CENTRE PANEL		1 PC
5	BOTTOM PANEL		1 PC
6	BACK PANEL		1 PC

# ASSEMBLY INSTRUCTION

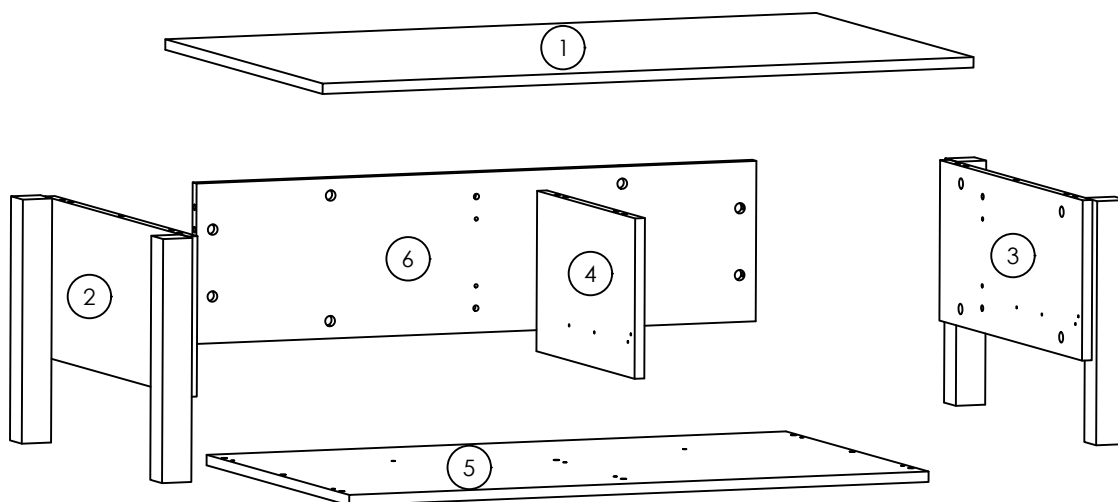
## PARTS LIST

ITEM	DESCRIPTION	DRAWING	QTY
10	DRAWER HEAD		2 PCS
11	DRAWER BACK PANEL		2 PCS
12	DRAWER BOTTOM PANEL		2 PCS
19	DRAWER LEFT PANEL		2 PCS
20	DRAWER RIGHT PANEL		2 PCS
21	DRAWER BOTTOM SUPPORT RAIL		2 PCS

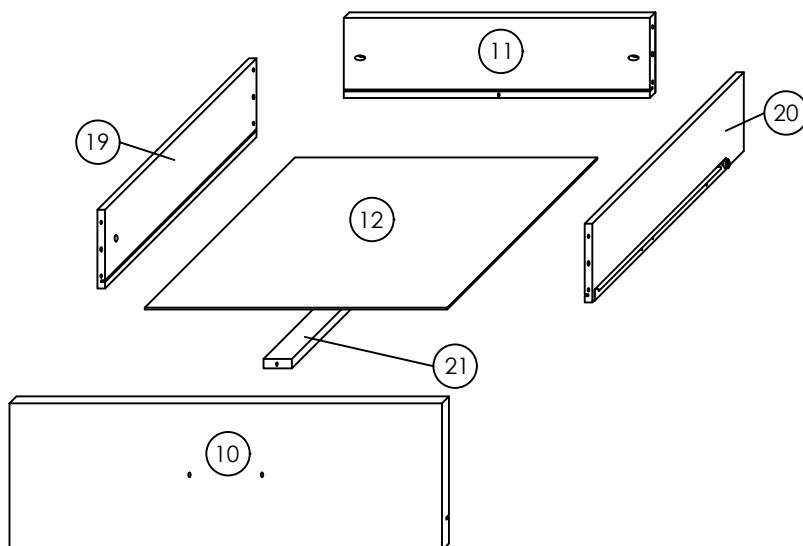
# ASSEMBLY INSTRUCTION

## PARTS ' LOCATION

### COFFEE TABLE x 1 PC



### DRAWER x 2 PCS

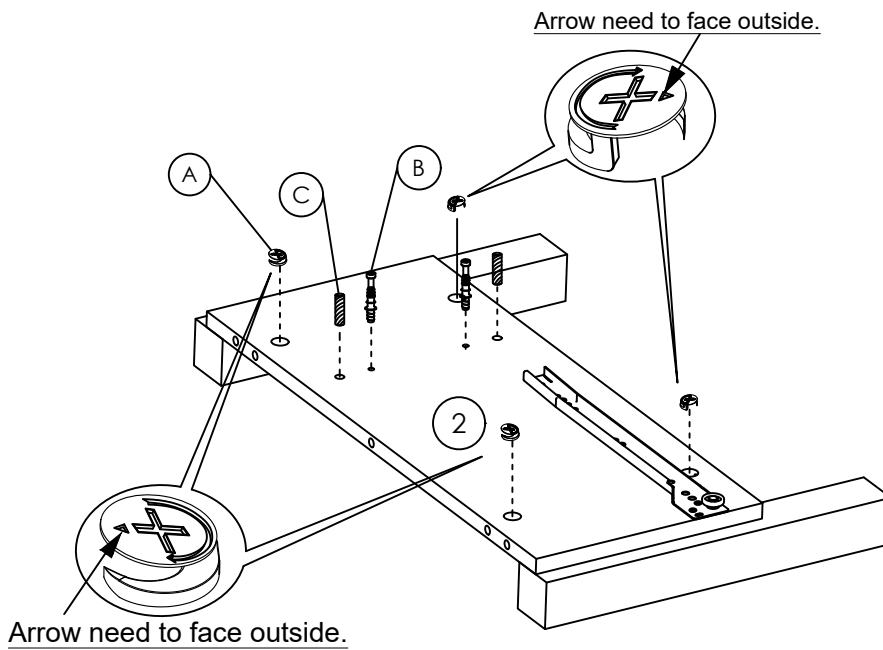
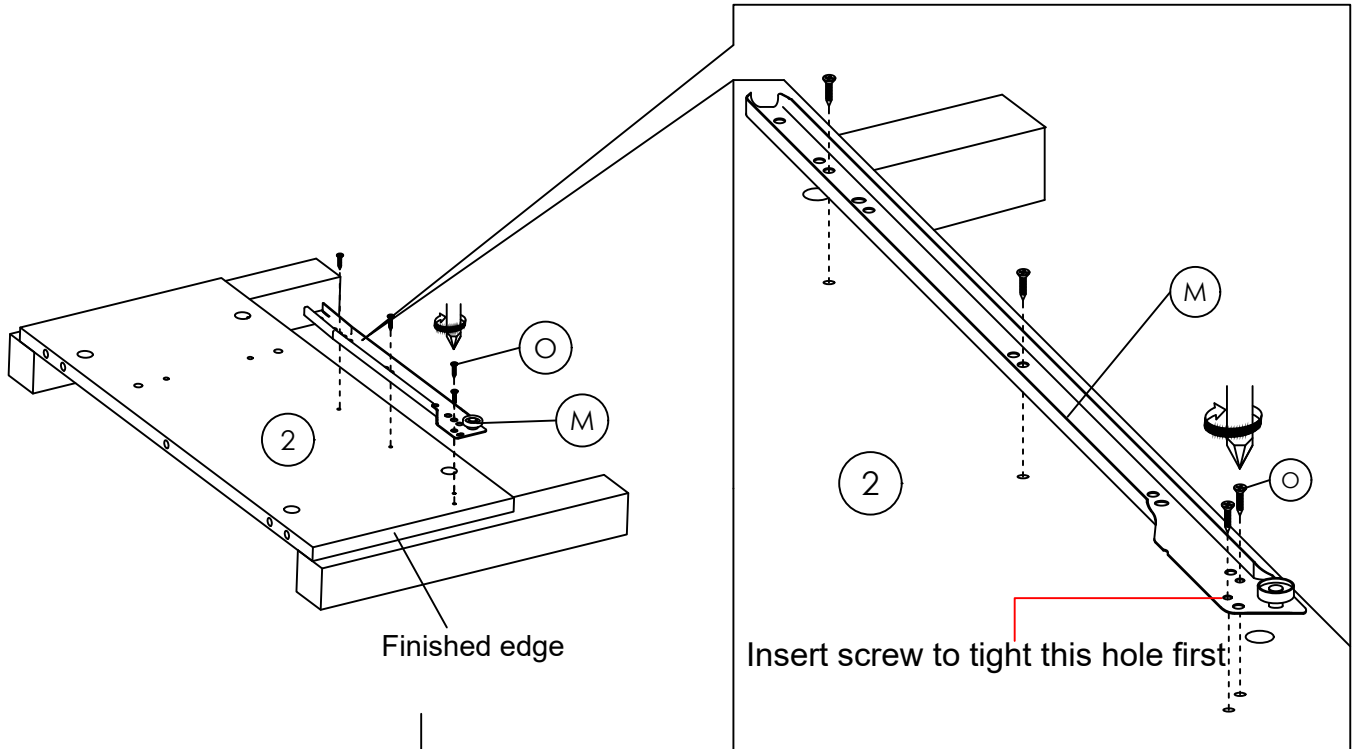


# ASSEMBLY INSTRUCTION

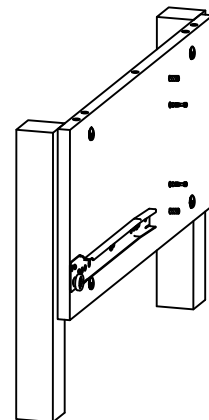
## ASSEMBLY STEPS

### STEP 1

Fix 1 piece (M) to the (2) by using 4 pieces (O). Then insert 4 pieces (A), 2 pieces (B) and (C) as shown.



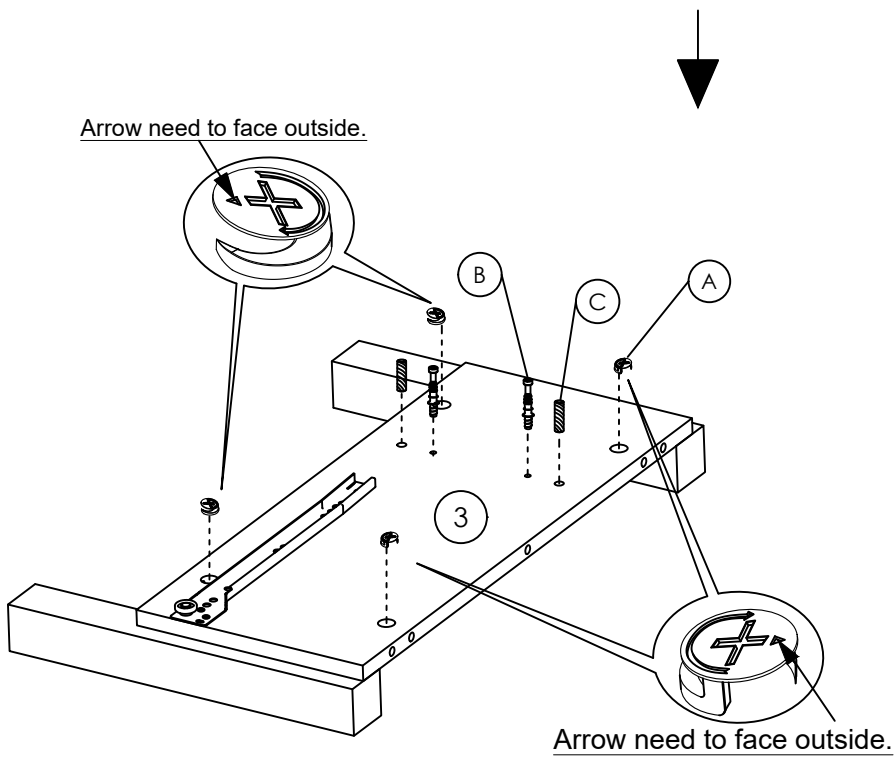
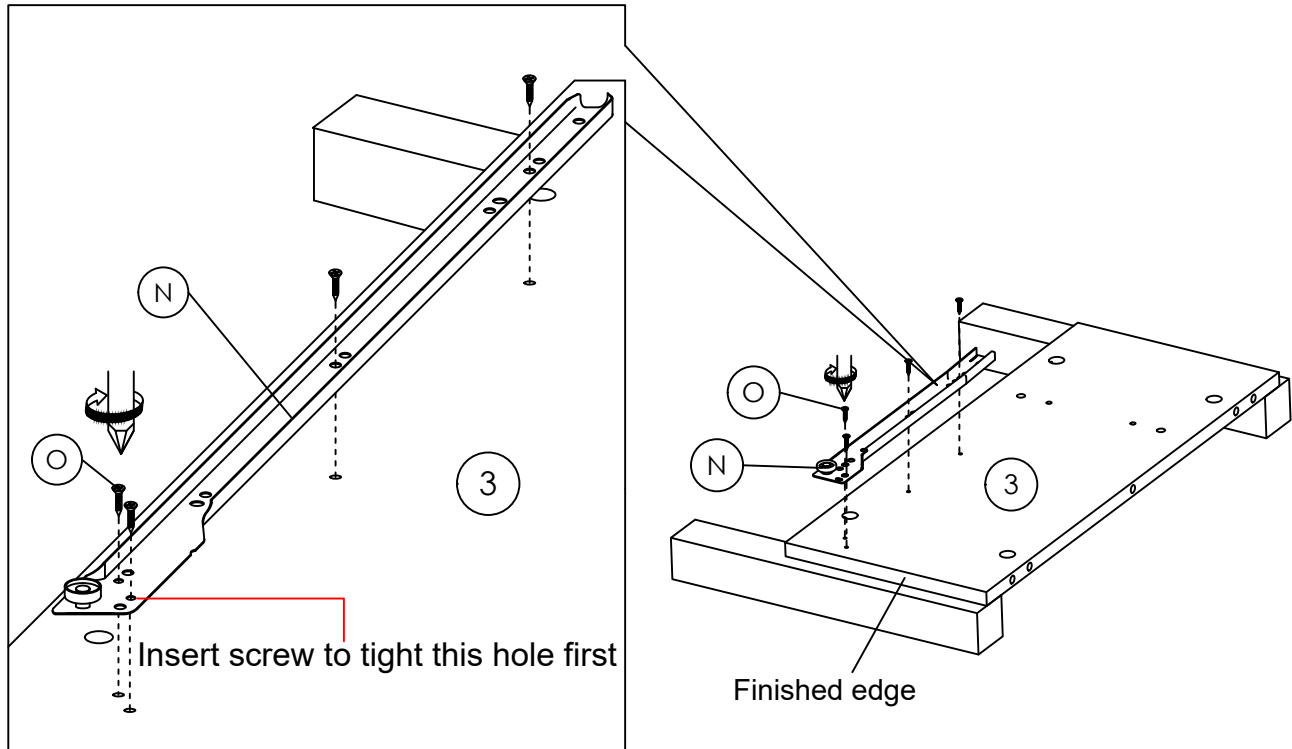
### Assembled looks



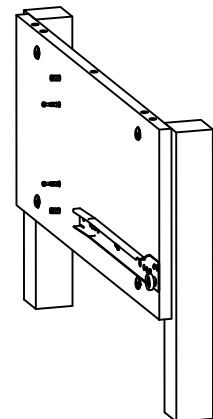
# ASSEMBLY INSTRUCTION

## STEP 2

Fix the 1 piece (N) to the (3) by using 4 pieces (O). Then insert 4 pieces (A), 2 pieces (B) and (C) as shown.



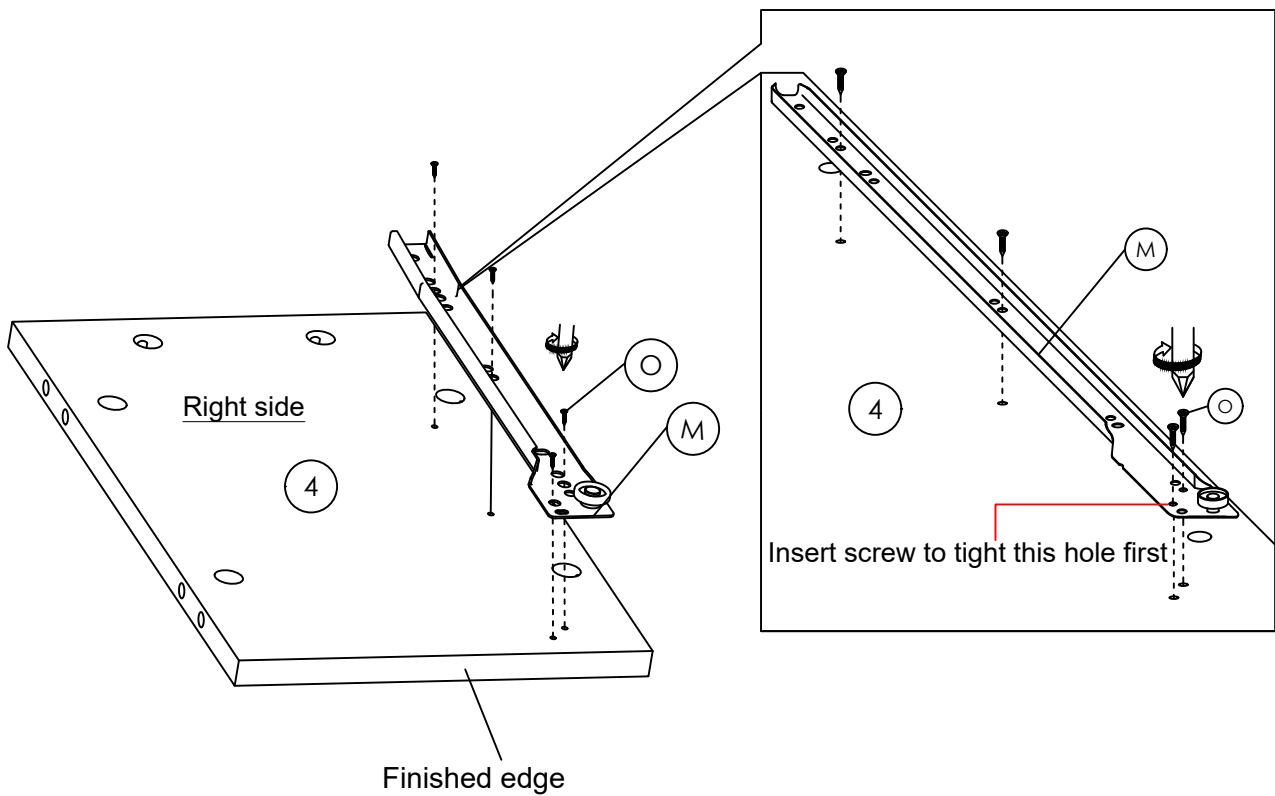
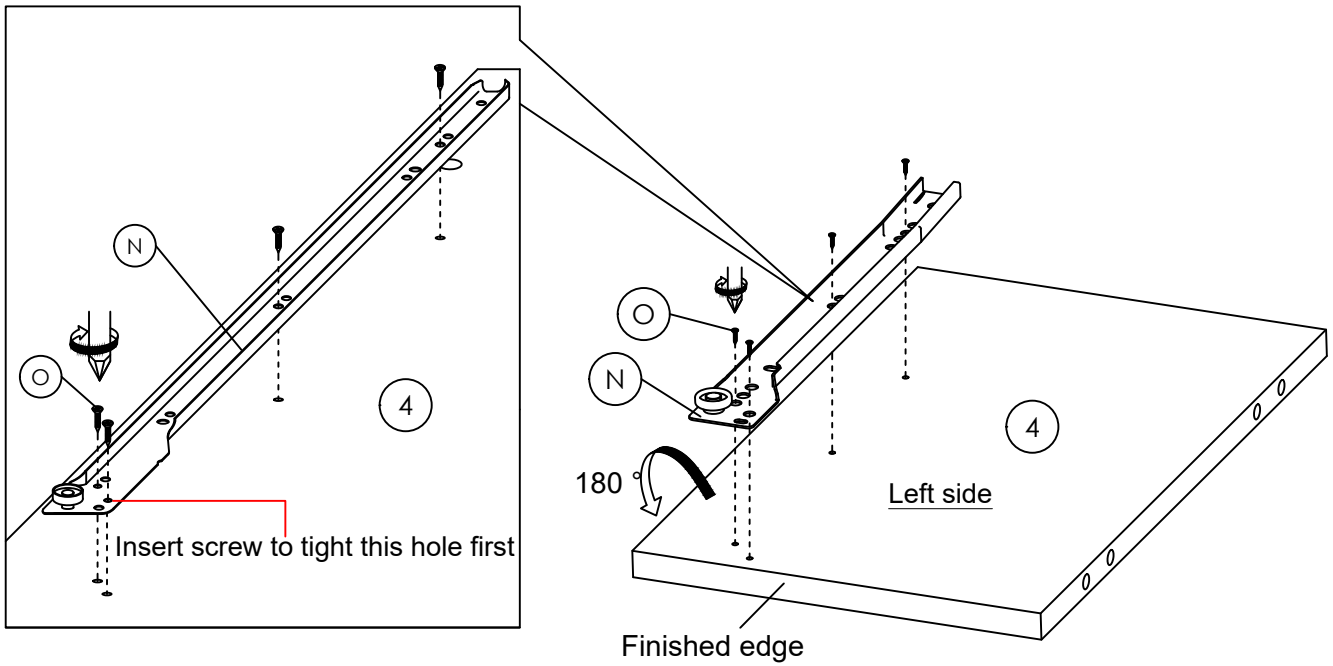
Assembled looks



# ASSEMBLY INSTRUCTION

## STEP 3

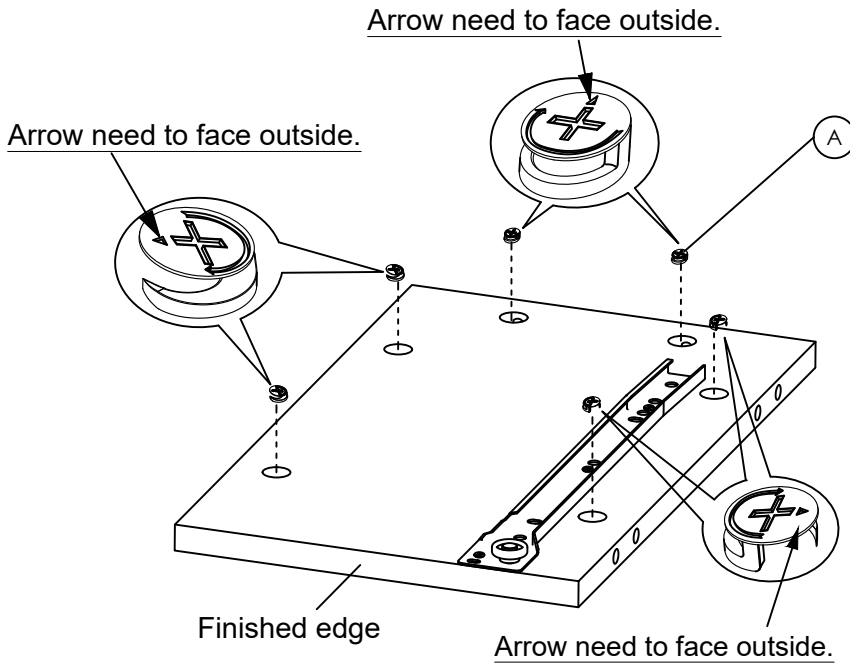
Fix the 1 piece (N) to the left side of (4) by using 4 pieces (O), and then fix the 1 piece (M) to the right side of (4) by using 4 pieces (O) as shown.



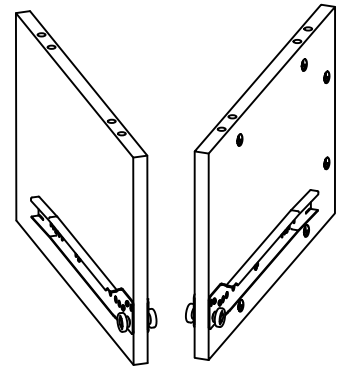
# ASSEMBLY INSTRUCTION

## STEP 4

Insert 6 pieces (A) to the right side of (4) as shown.

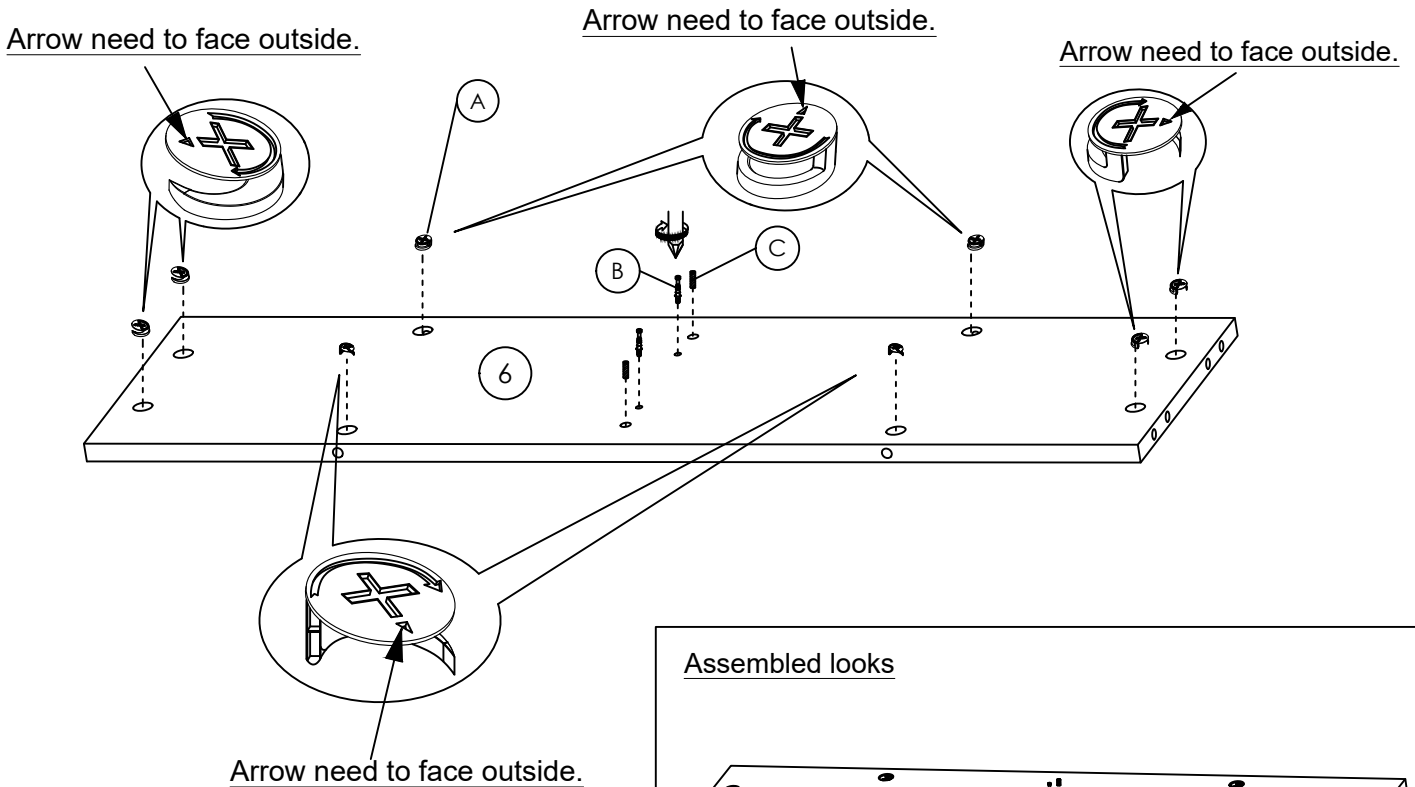


Assembled looks

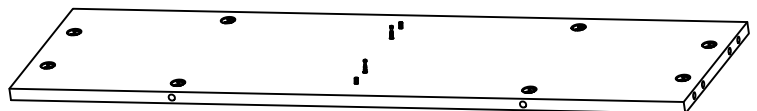


## STEP 5

Insert 8 pieces (A) to the (6) , and then insert 2 pieces (B) and (C) as shown.



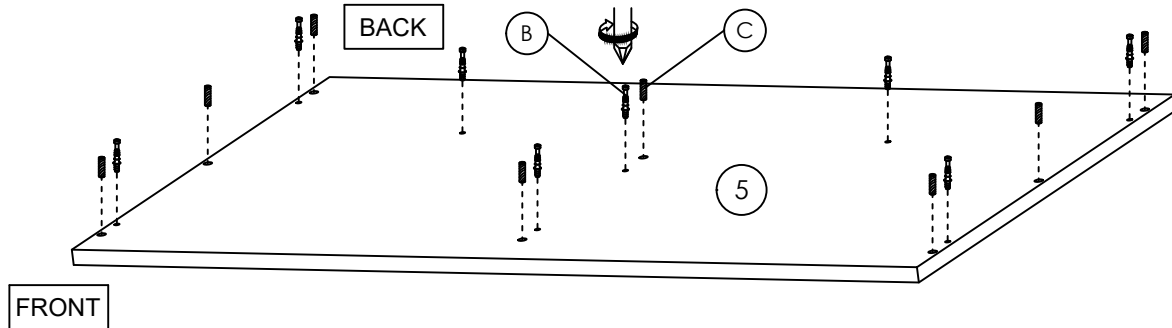
Assembled looks



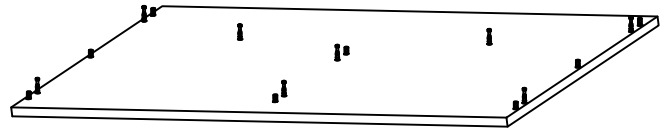
# ASSEMBLY INSTRUCTION

## STEP 6

Insert 8 pieces (B) and (C) to the (5) and as shown.

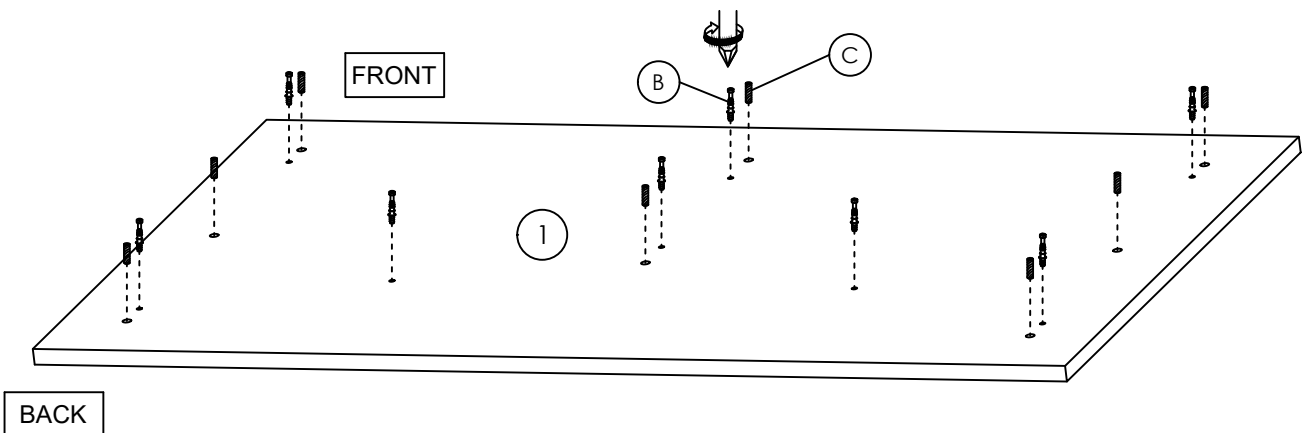


Assembled looks

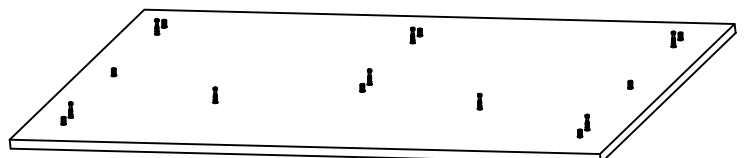


## STEP 7

Insert 8 pieces (B) and (C) to the (1) and as shown.



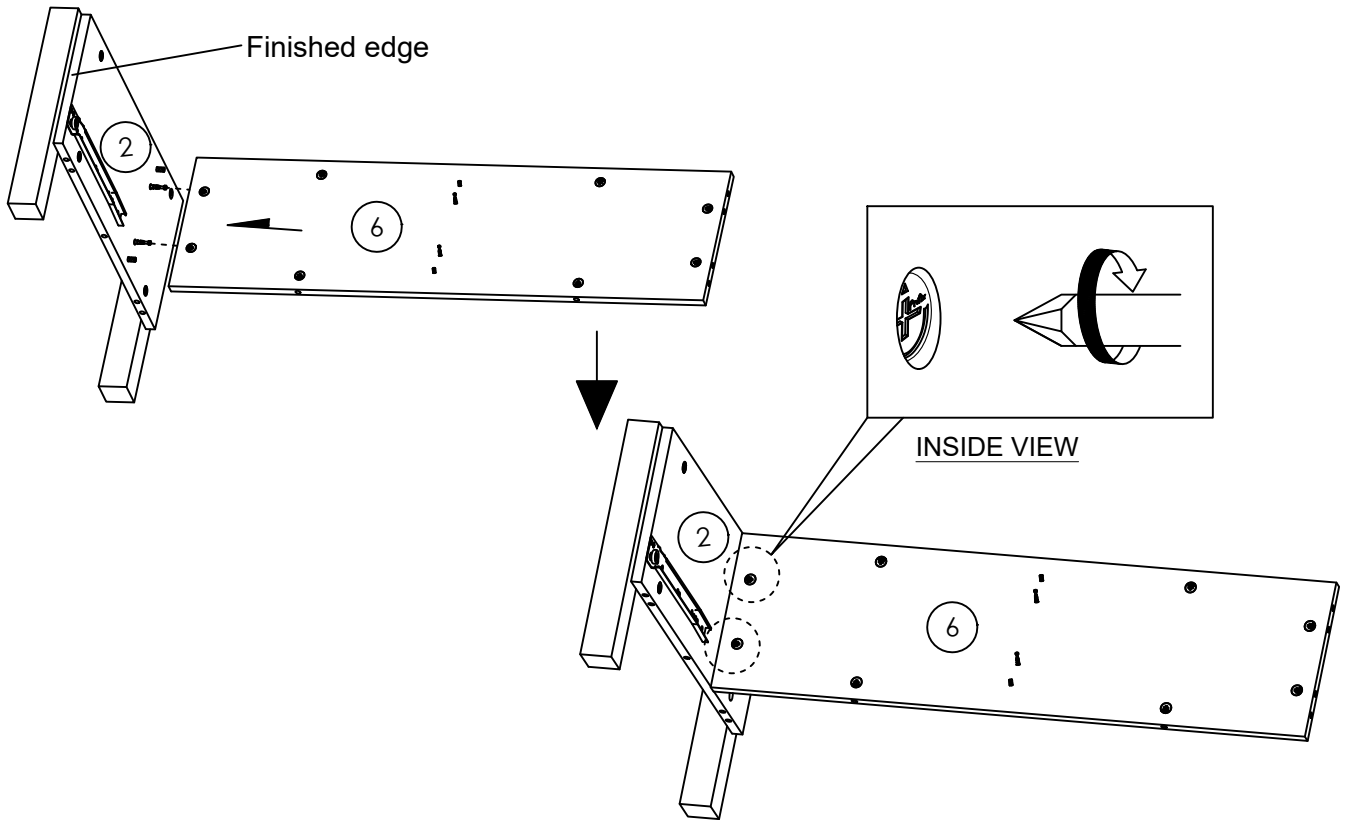
Assembled looks



# ASSEMBLY INSTRUCTION

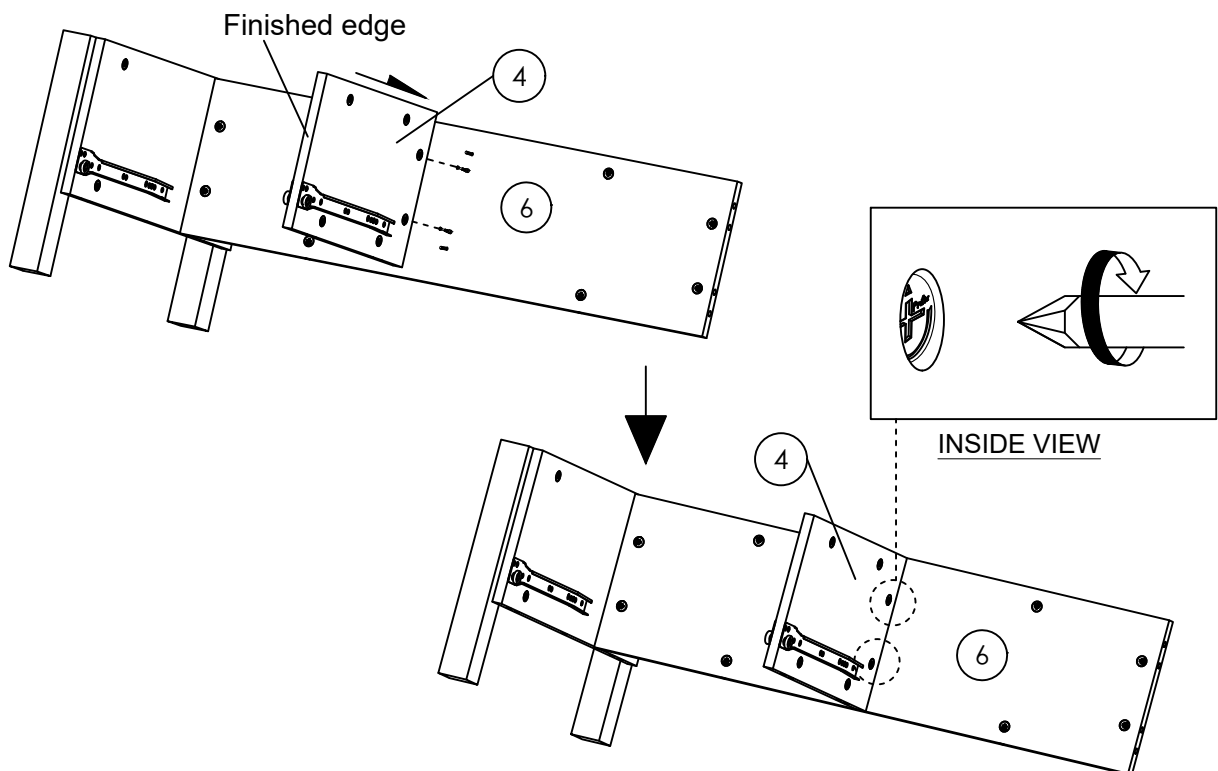
## STEP 8

Combine the (2) and (6) then tighten the 2 pieces (A)-(pre insert in step 5) as shown.



## STEP 9

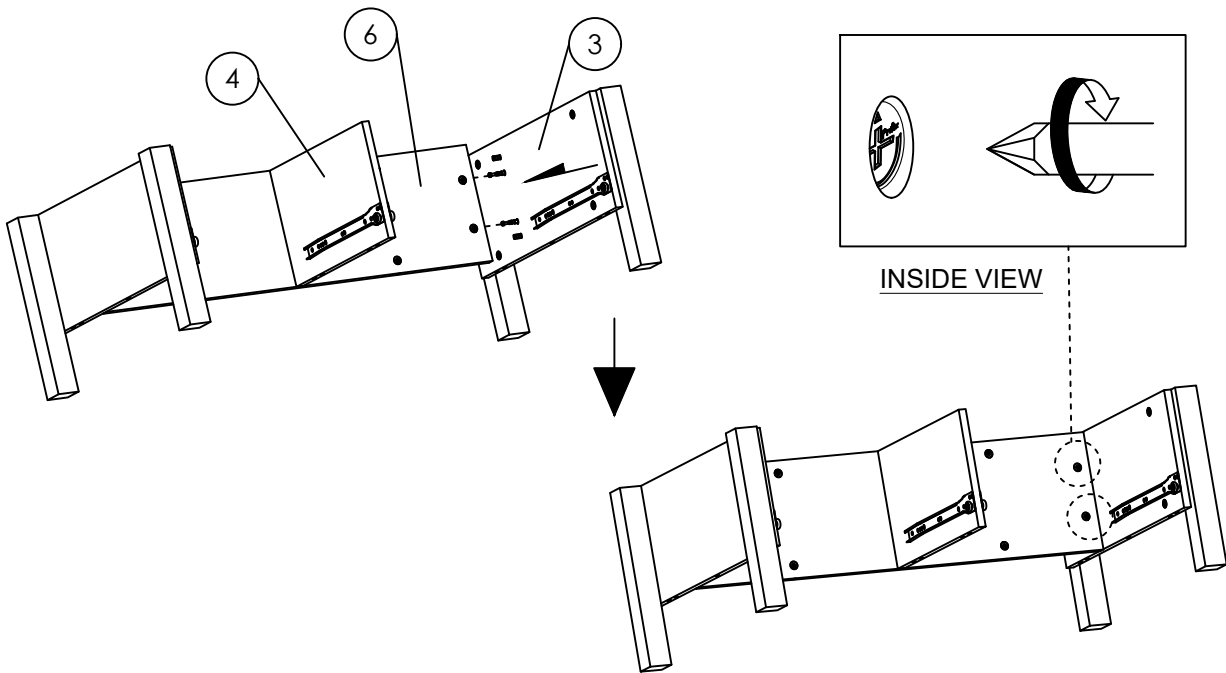
Combine the (4) to the (6) then tighten the another 2 pieces (A)-(pre insert in step 4) as shown.



# ASSEMBLY INSTRUCTION

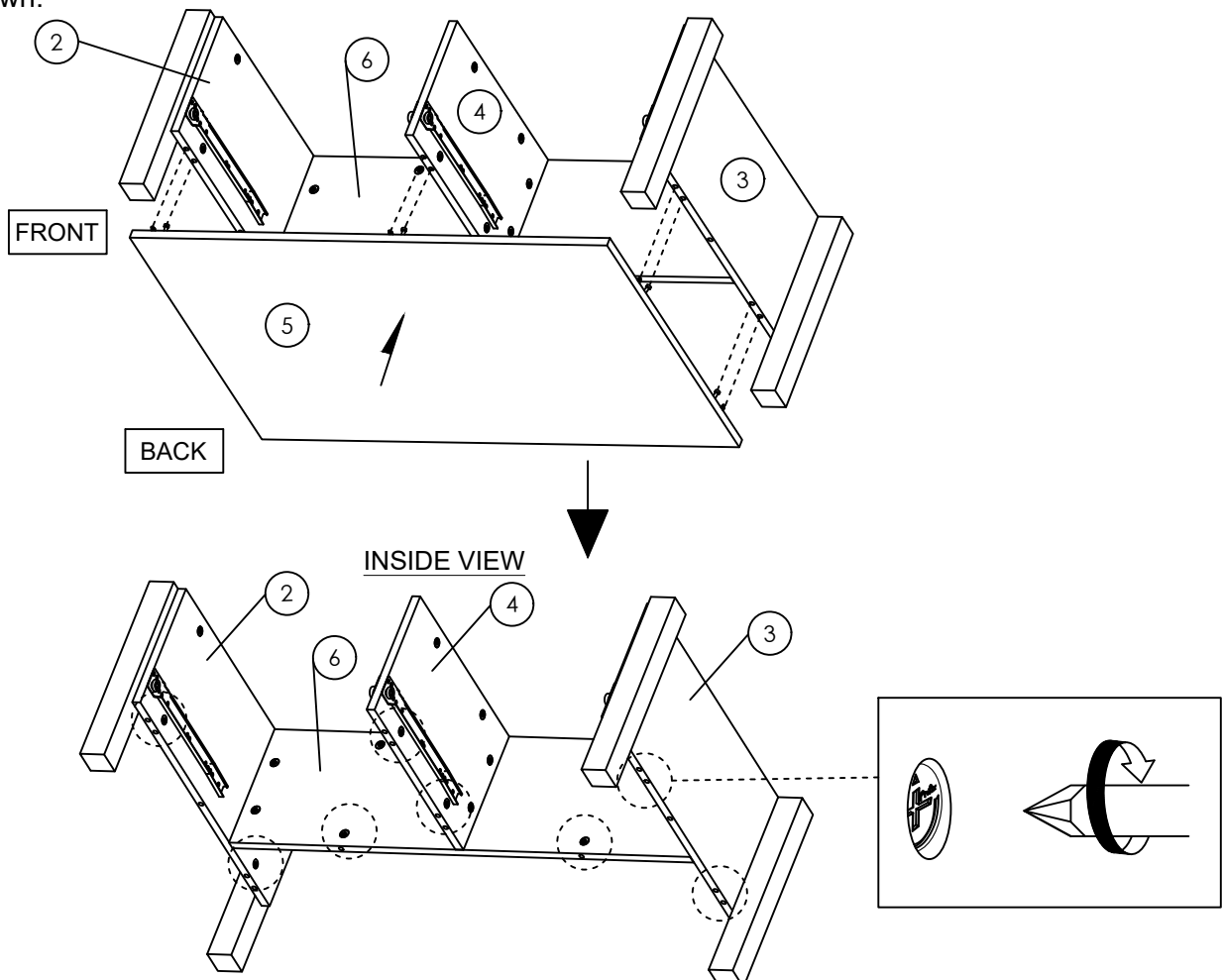
## STEP 10

Combine the (3) to the (6) then tighten the remaining 2 pieces (A)-(pre insert in step 5) as shown.



## STEP 11

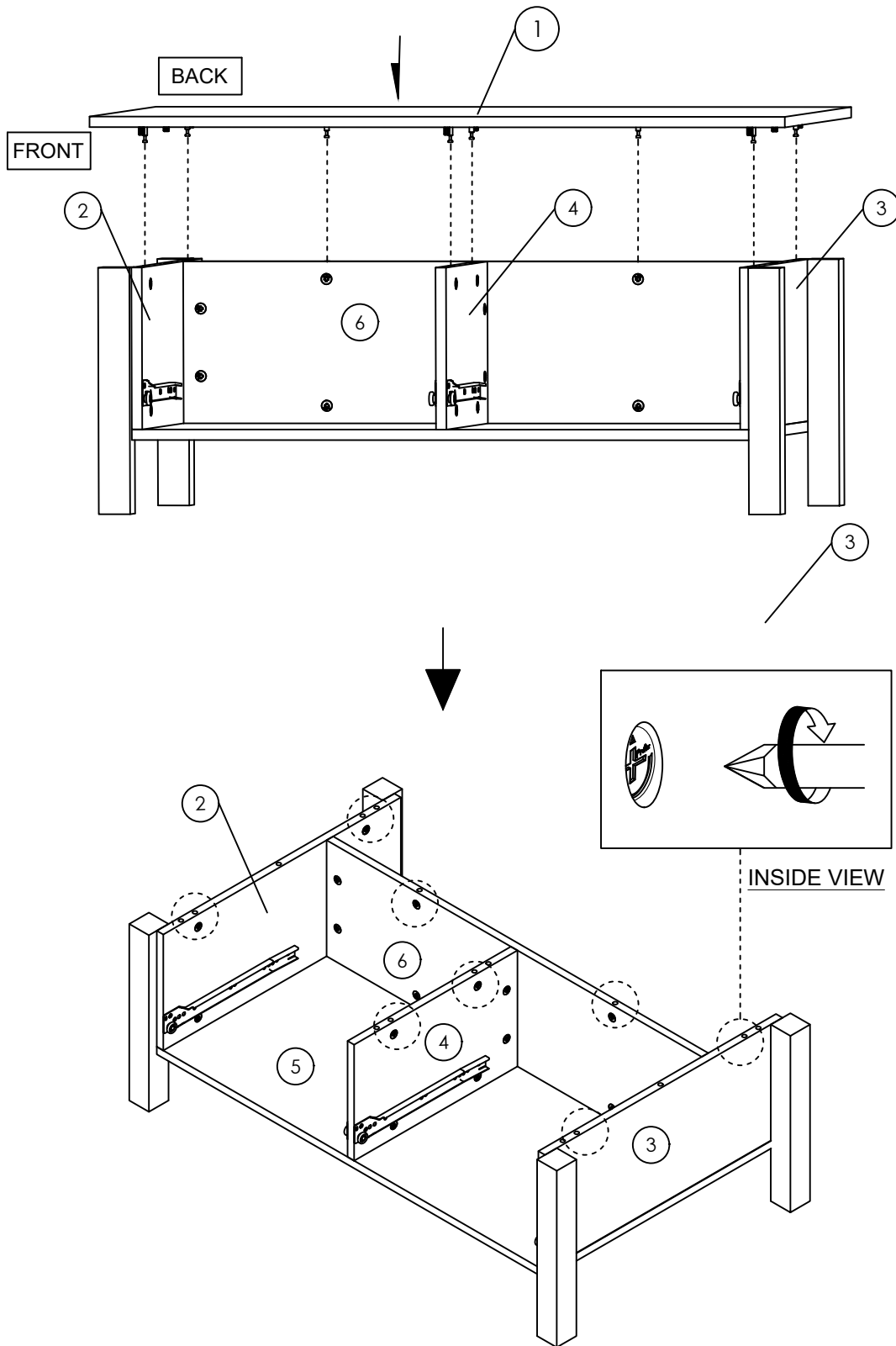
Combine the (5) to the (2),(3),(4) and (6) then tighten the 8 pieces (A)-(pre insert in step 1 , 2 ,4 and 5 ) as shown.



# ASSEMBLY INSTRUCTION

## STEP 12

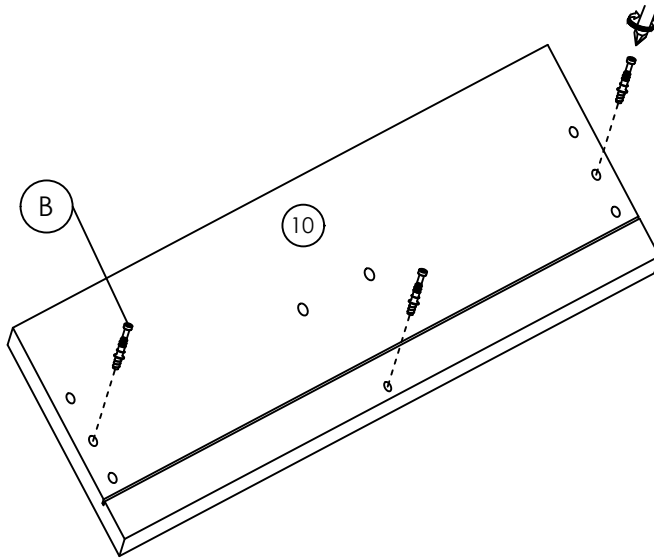
Combine the (1) to the (2),(3),(4) and (6) then tighten the remaining 8 pieces (A)-(pre insert in step 1,2,4,and 5) as shown.



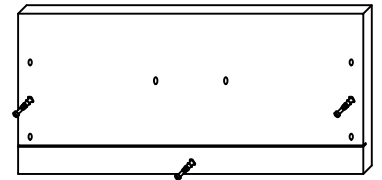
# ASSEMBLY INSTRUCTION

## STEP 13

Insert 3 pieces (B) to the (10) as shown. This step needs to be **done twice**.

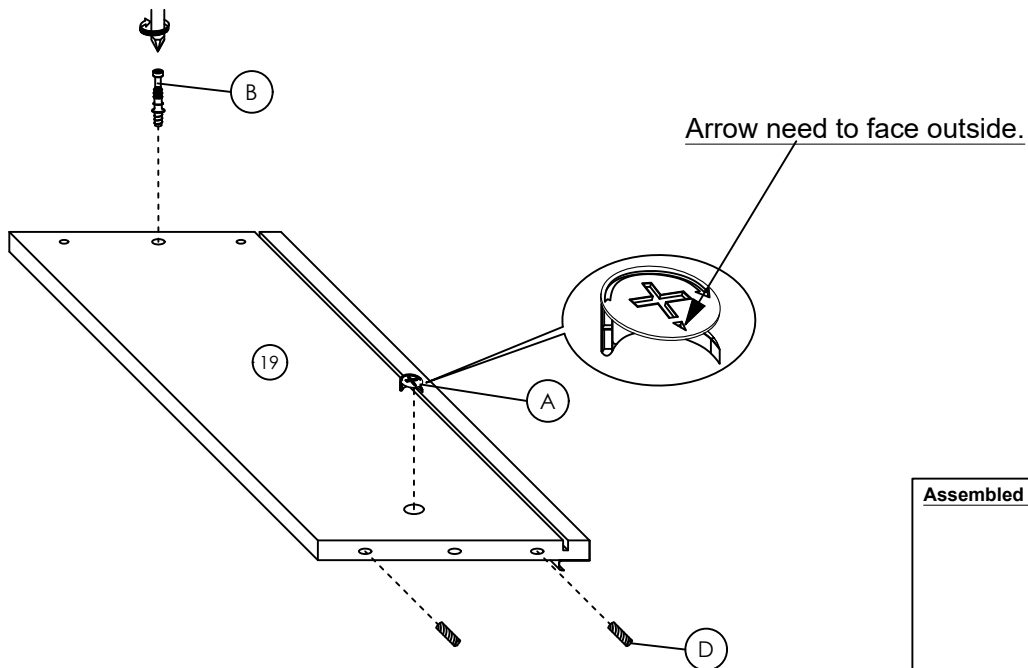


Assembled looks

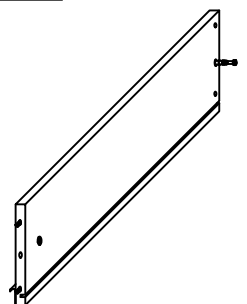


## STEP 14

Insert 1 piece (A), (B) and 2 pieces (D) to (19) as shown. This step needs to be **done twice**.



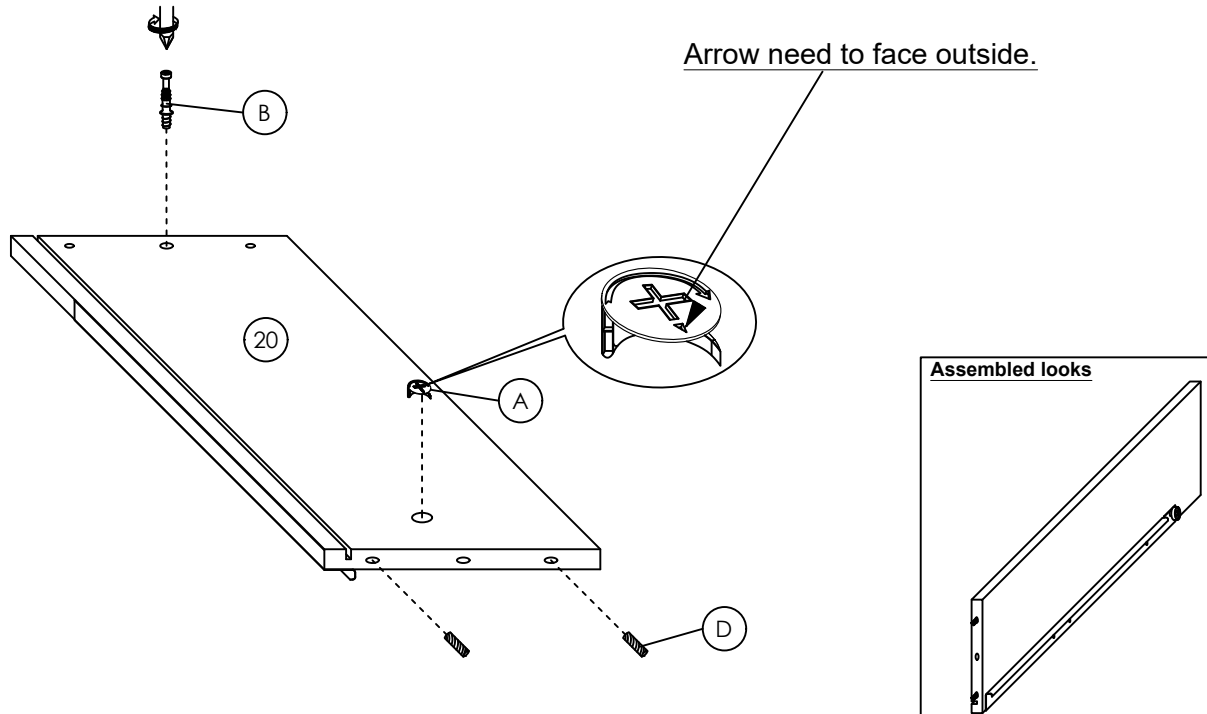
Assembled looks



# ASSEMBLY INSTRUCTION

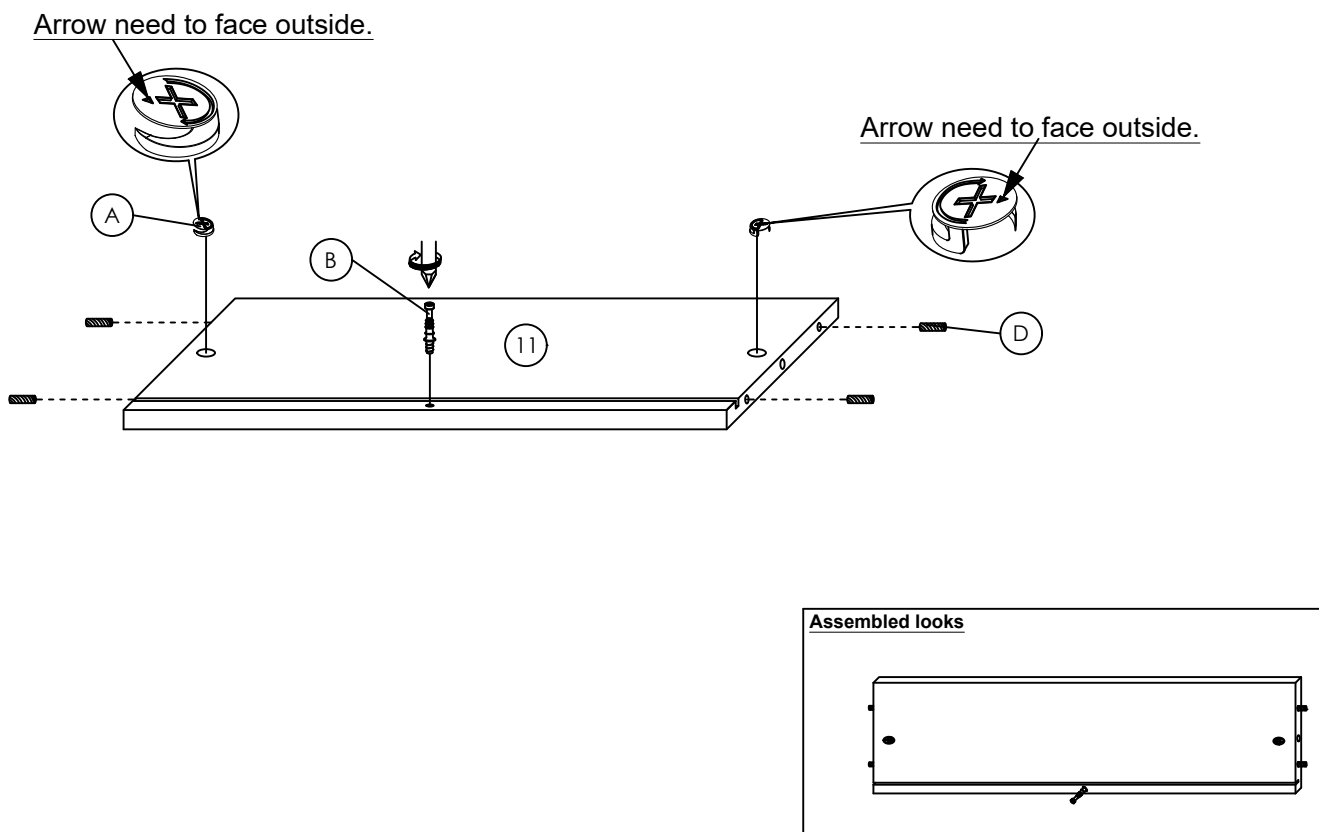
## STEP 15

Insert 1 piece (A),(B) and 2 pieces (D) to (20) as shown. This step needs to be **done twice**.



## STEP 16

Insert 2 pieces (A) , 1 piece (B) and 4 pieces (D) to (11) as shown. This step needs to be **done twice**.

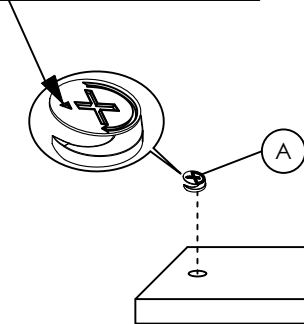


# ASSEMBLY INSTRUCTION

## STEP 17

Insert 2 pieces (A) to (21) as shown. This step needs to be **done twice**.

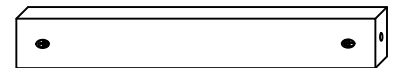
Arrow need to face outside.



Arrow need to face outside.

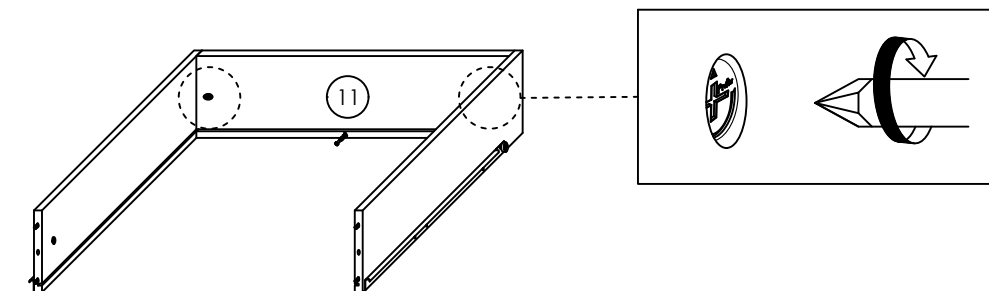
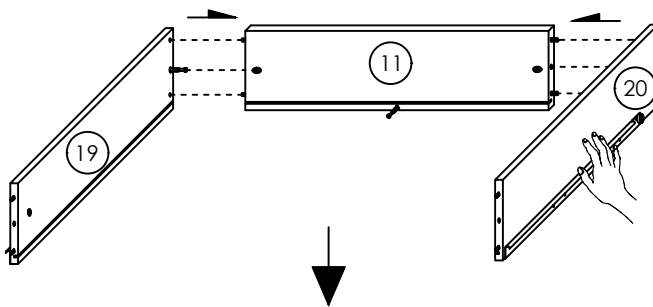


**Assembled looks**



## STEP 18

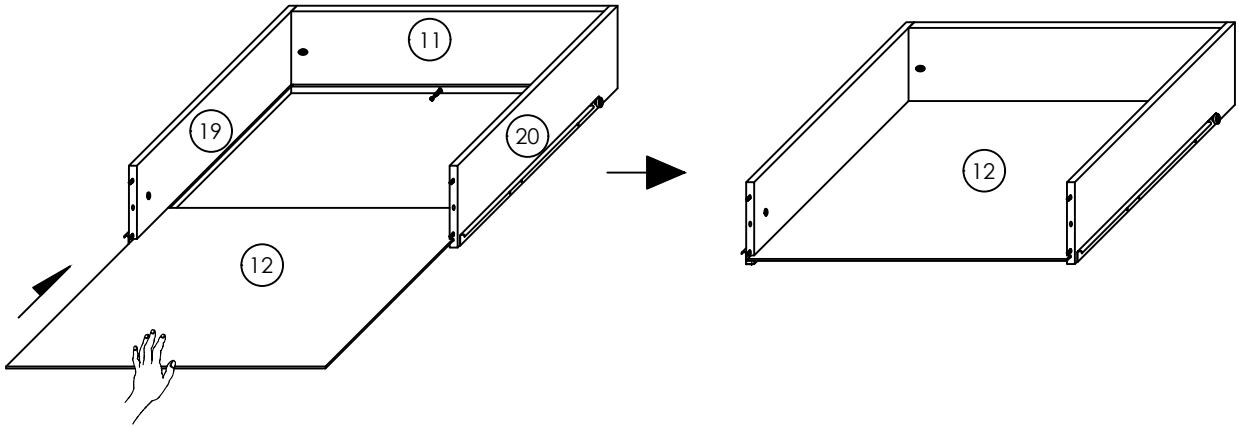
Combine the (19) and (20) to the (11). Then tighten the 2 pieces (A)-(pre-insert in step 16) as shown. This step needs to be **done twice**.



# ASSEMBLY INSTRUCTION

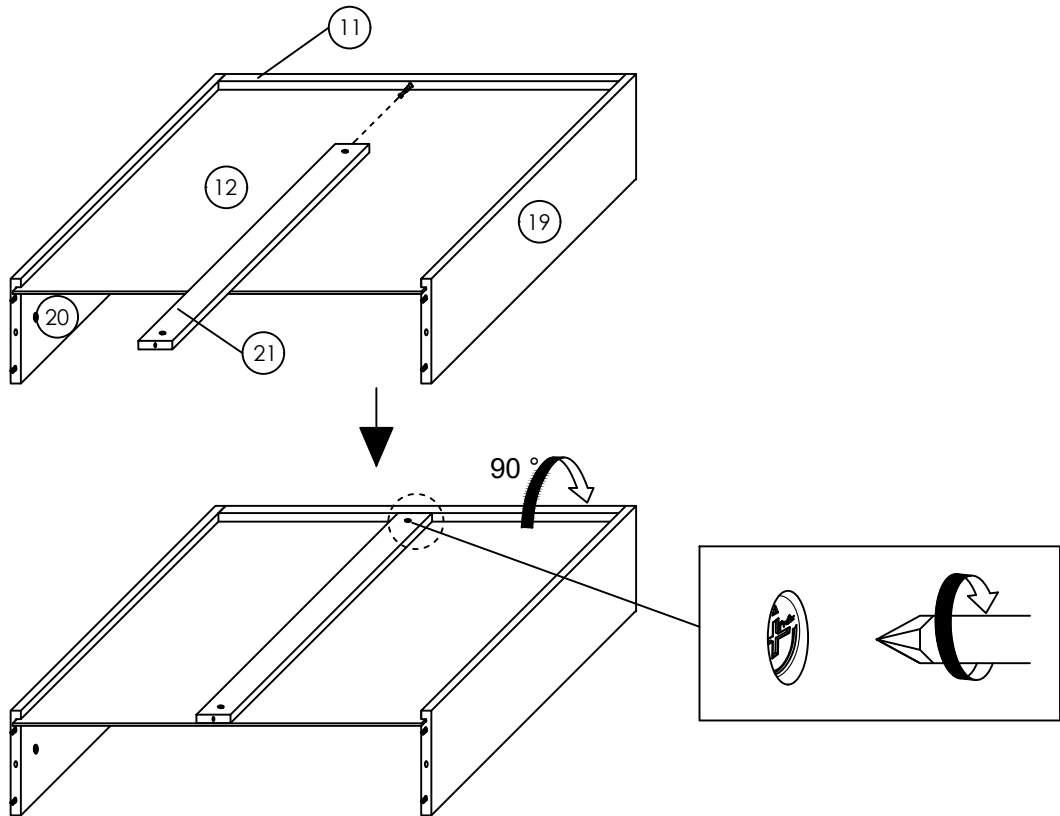
## STEP 19

Put the (12) into the gap of (19),(20) and (11) as shown. This step needs to be **done twice**.



## STEP 20

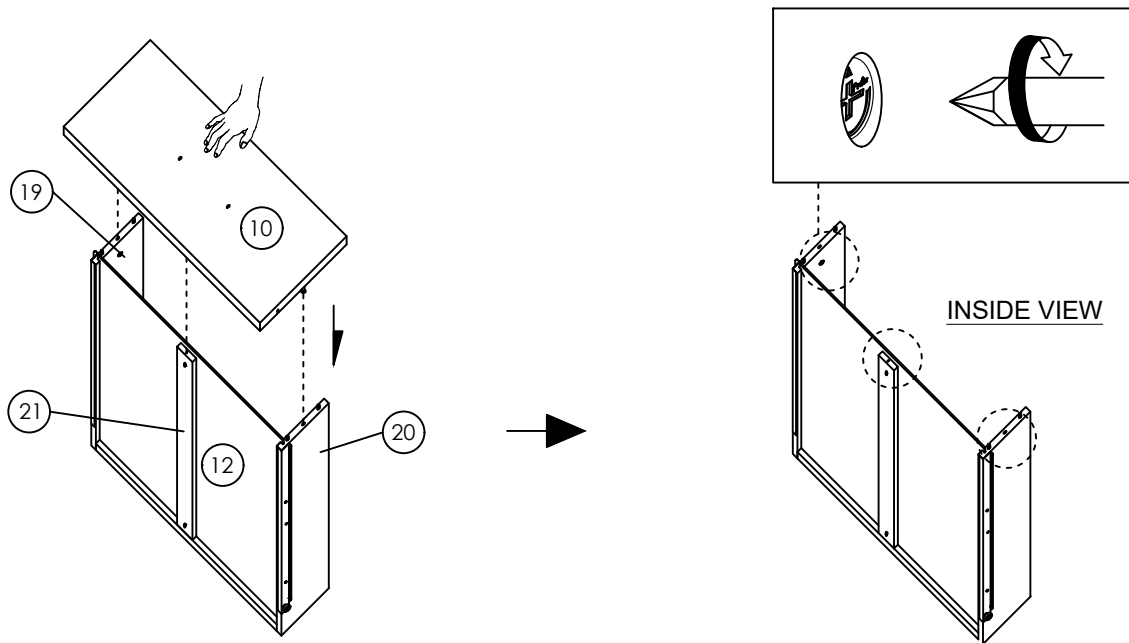
Combine the (21) to the (11) then tighten the 1 piece (A)-(pre-insert in step 17) as shown. This step needs to be **done twice**.



# ASSEMBLY INSTRUCTION

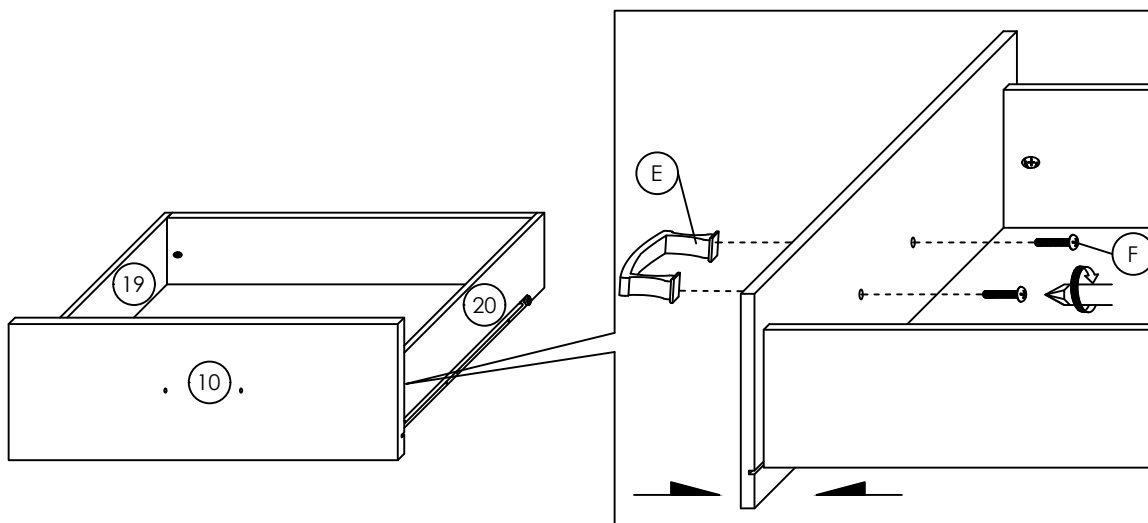
## STEP 21

Combine the (10) to the drawer frame. Then tighten the 3 pieces (A)-(pre-insert in step 14,15 and 17) as shown. This step needs to be **done twice**.



## STEP 22

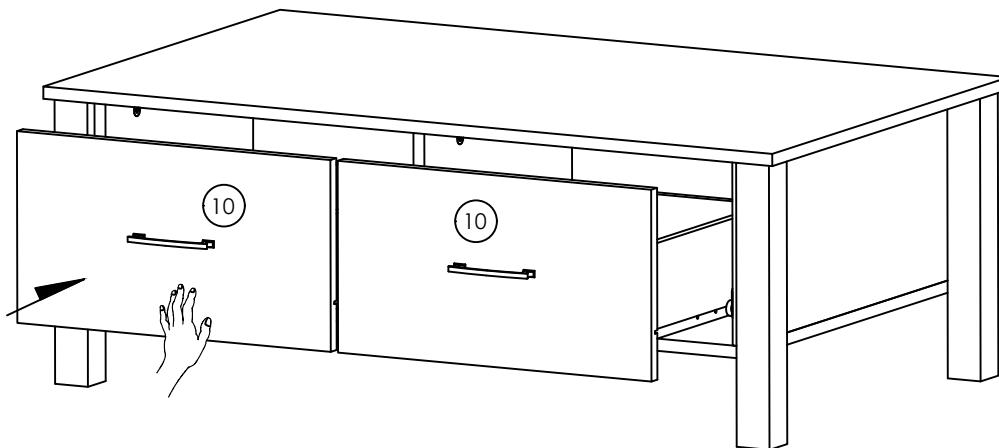
Insert 2 pieces (F) fix the (E) as shown. This step needs to be **done twice**.



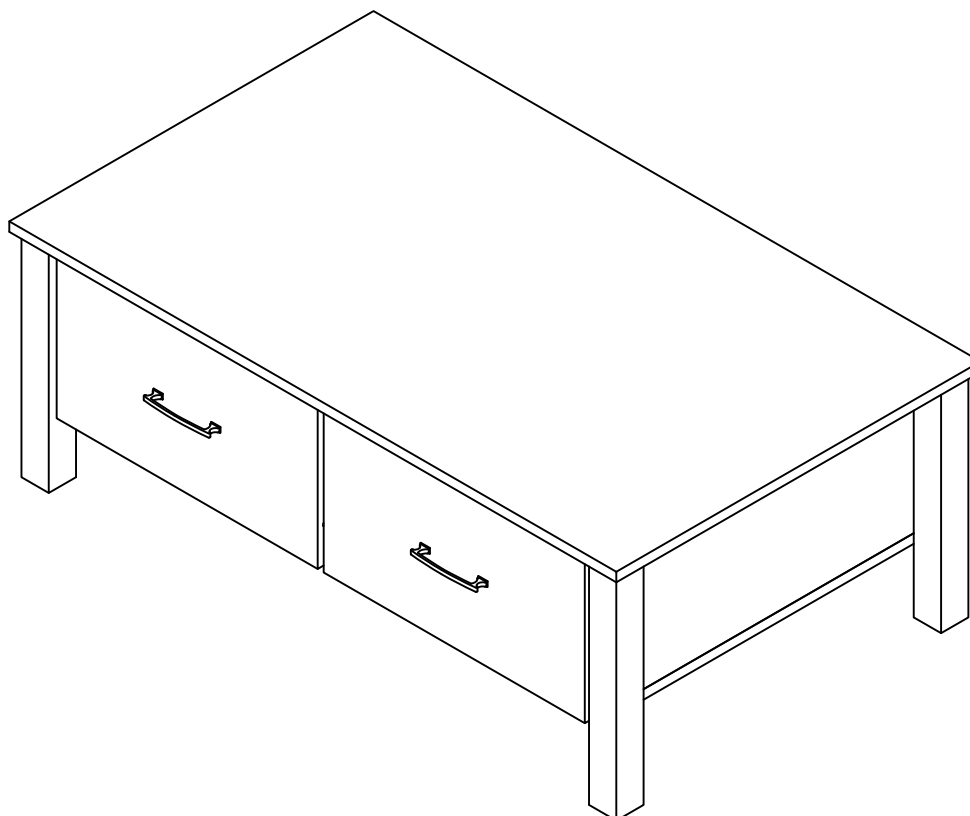
# ASSEMBLY INSTRUCTION

## STEP 23

Align the position then push the 2 pieces drawer to inside exactly as shown.



## STEP 24



**ASSEMBLY COMPLETED**