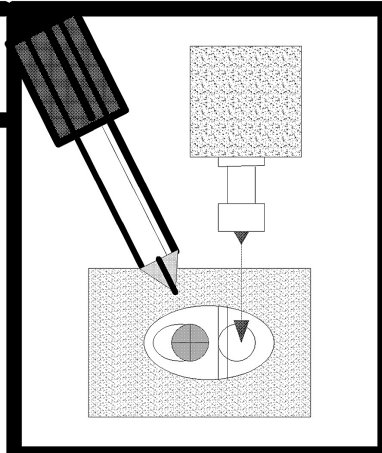


1

Tools Required:
1x
Crosshead screwdriver

Note:
Ensure peg is fully located in hole before tightening the screw.



2

Whats in the box: Lay out all panels from the box.

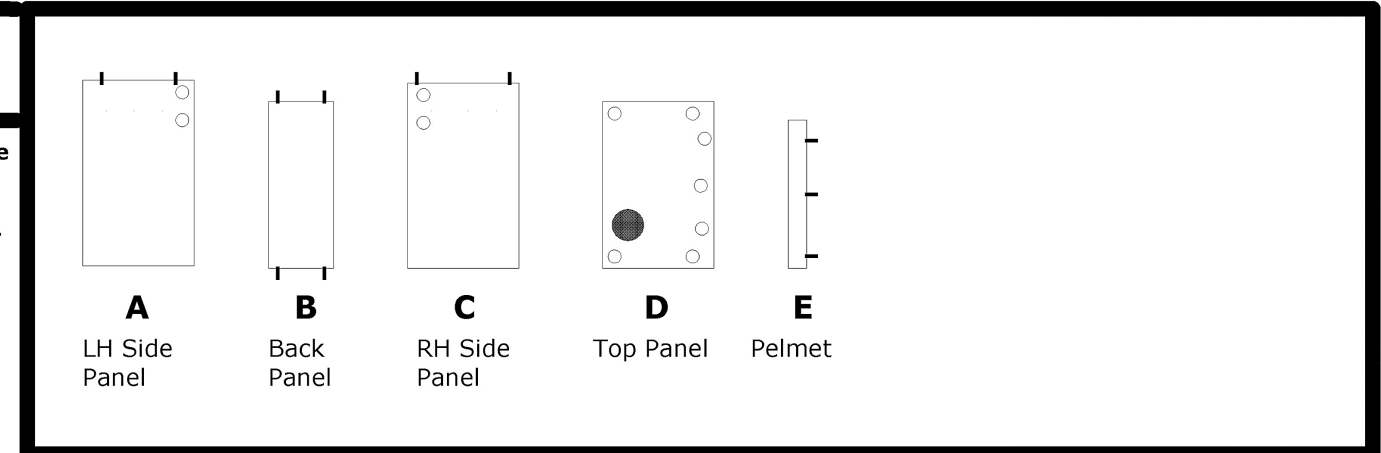
A LH Side Panel

B Back Panel

C RH Side Panel

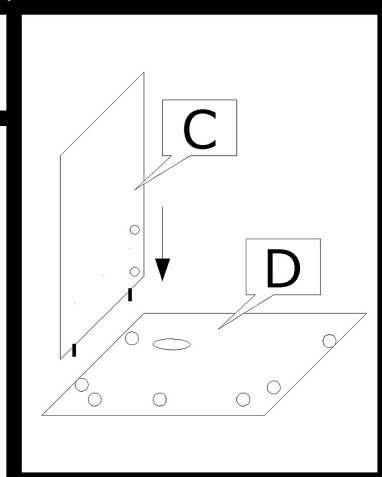
D Top Panel

E Pelmet

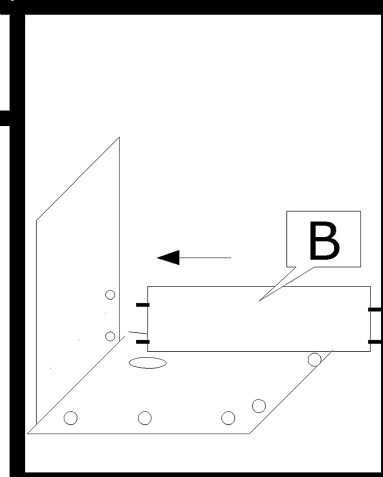


3

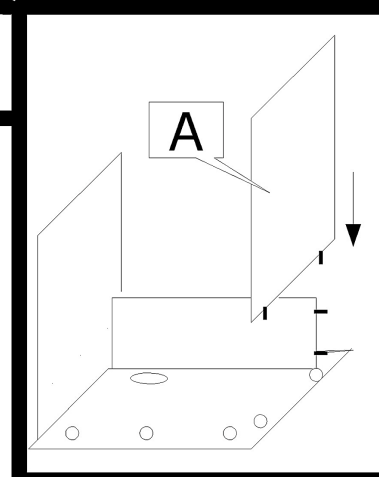
Important:
Tighten all fixing points as you assemble each panel.



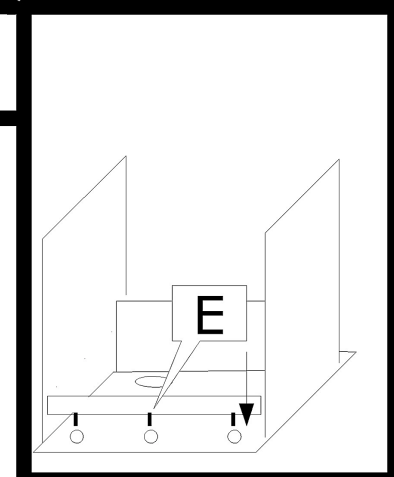
4



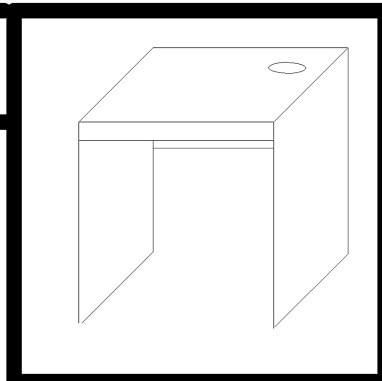
5



6



7



If you have any comments regarding the clarity of this guide please email:
info@rwhitecabinets.com.