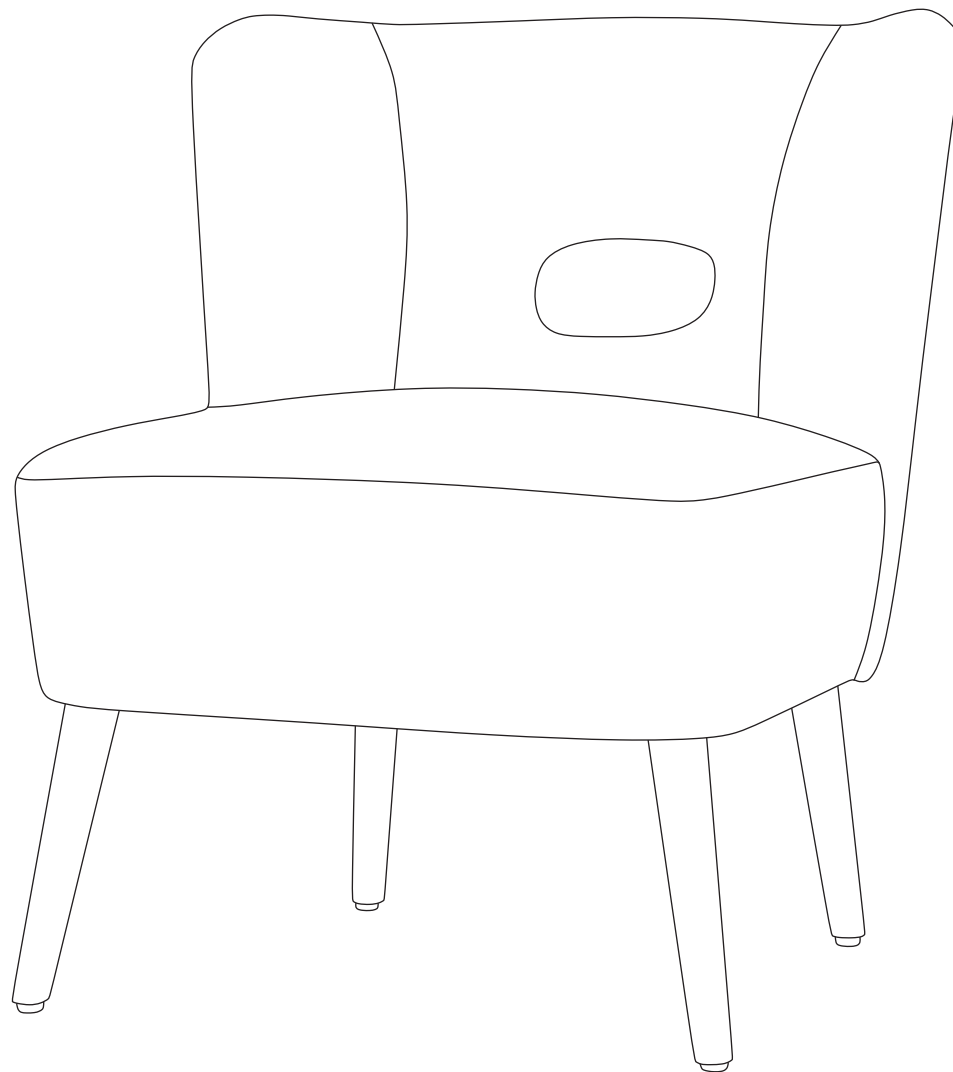


# Instruction Manual

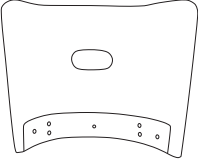
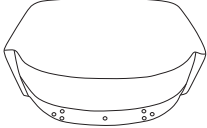
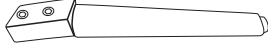
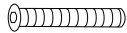



## User Guide

### Make life better

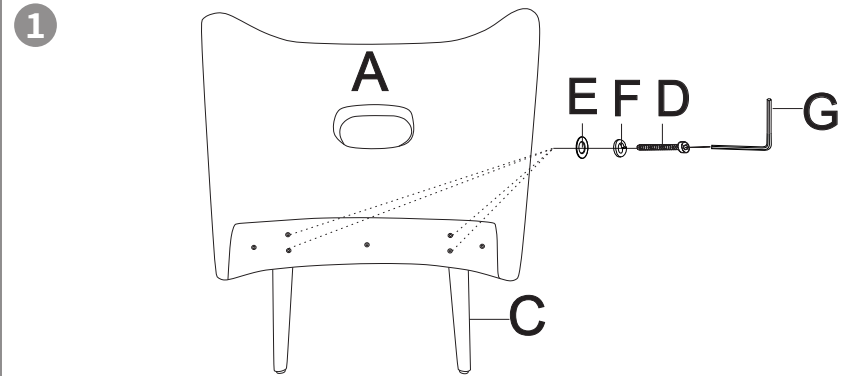
Warm tips: We are proud of high-quality products and satisfactory service, but the goods may encounter special circumstances during transportation, if you receive the goods with missing or damaged parts, please take photos and contact our customer service before returning the goods , we will customize a solution that satisfies you, thank you.



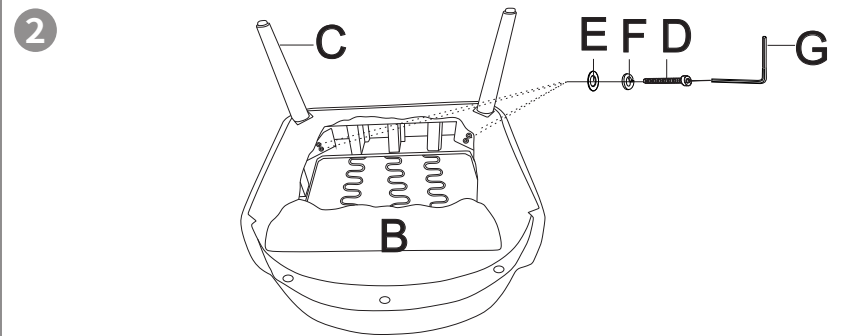
# Instruction

NO	DESCRIPTION		QTY
A	Backrest		1
B	Seat cushion		1
C	Solid wood legs		4
D	Screw	$\Phi$ 5/16"*2L 	11
E	Flat Washer	$\Phi$ 5/16"*22mm 	11
F	Lock Washer	$\Phi$ 5/16" 	11
G	Allen Wrench	$\Phi$ 5mm 	1

## Installation Method



Take out 2 wooden legs(C) and insert them into the holes of the Backrest(A). After all are aligned, tighten them with screws.



Take out another 2 wooden legs(C) and insert them into the holes at the bottom of the Seatrest(B). After all are aligned, tighten them with screws.

