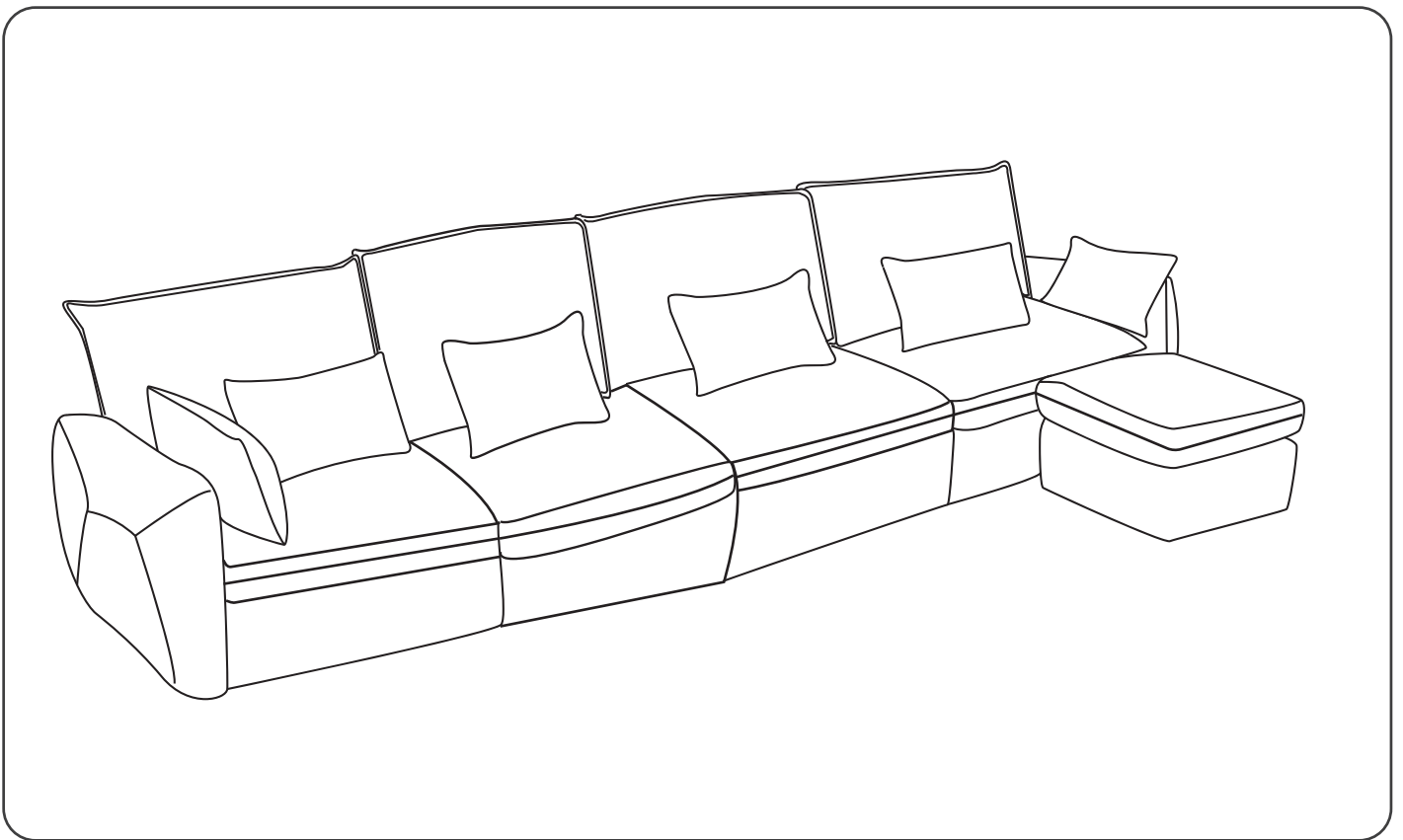


N625P197665A











N625P197666A

EN: Installation Instructions

MONTAGEANLEITUNG



EN:Our product will be delivered to you in 3/4 packages.The delivery times of these 4 packages may differ,please be patient and thank you for your understanding

 2PERS	 30 MIN	<u>Tool Required Not Provided</u>	
			
			



[EN]

Warning: Please read these instructions fully before starting assembly. Check you have all the components and tools listed on pages. Keep the instructions for later reference. Parts of the assembly will be easier with 2 people. Seek professional assistance if necessary.

Warning: Please place all parts on a flat surface. Place a soft blanket or similar underneath to protect against scratches or stains. Avoid dragging or sliding components across the floor.

Warning: Regularly check all fittings and fastenings to ensure they are secure and to prevent accidents. If any parts are missing, broken, damaged, or worn, discontinue use of the product until repairs have been made using factory authorized parts.

Warning: Do not place furniture close to fire sources or high-temperature objects to avoid the risk of fire. Do not place furniture in damp environments to prevent material damage.

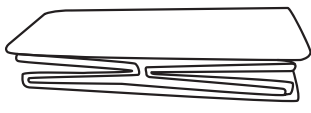
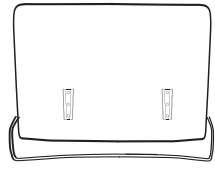

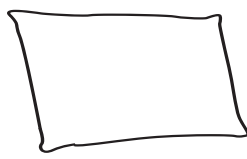
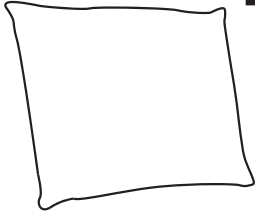

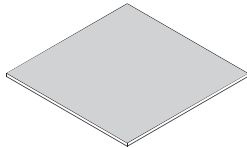
Warning: Clean furniture with a damp cloth or alcohol, avoid using cleaning agents containing corrosive chemicals.

Warning: Do not allow children to climb on the furniture as this may result in tipping and serious personal injury. Assemble the furniture away from the reach of children.



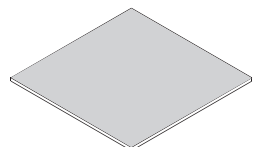







Warning: The sponge and cloth may be squeezed and deformed during transportation, please don't worry, after you take it out of the bag, you can gently pat the sponge to speed up the recovery of elasticity, or leave it for a few days, it can recover to its original elasticity.

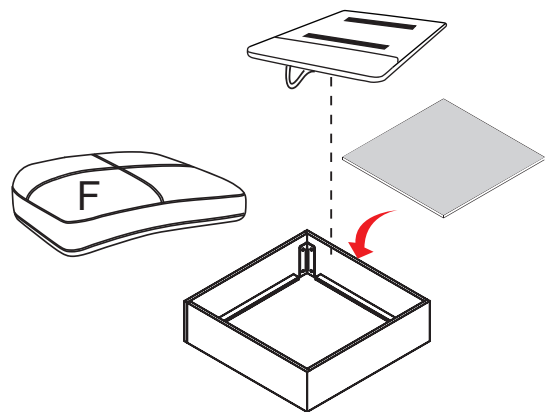
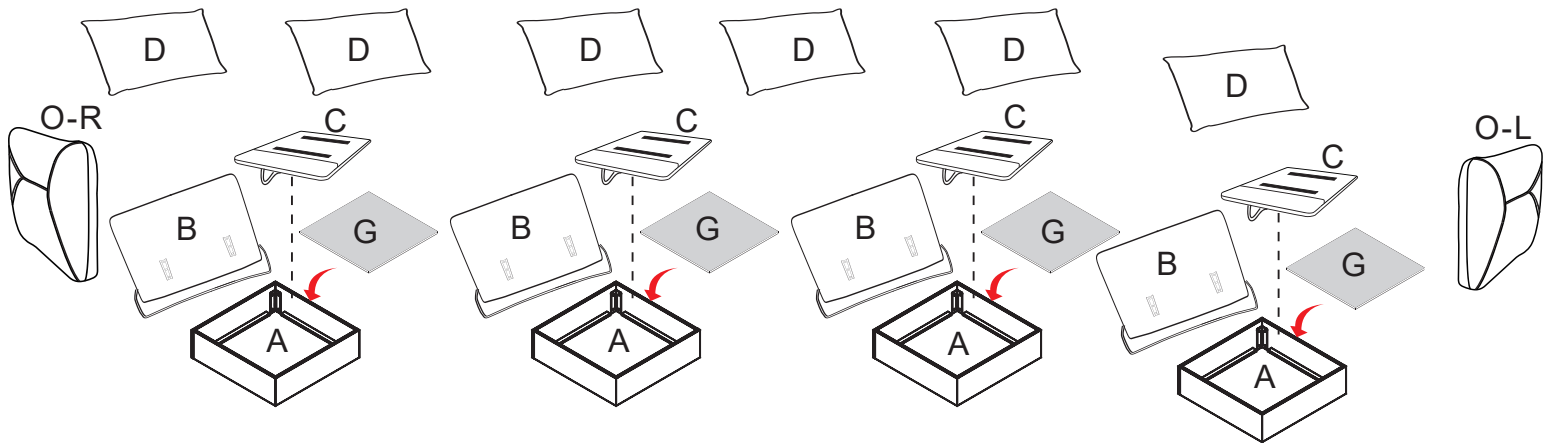
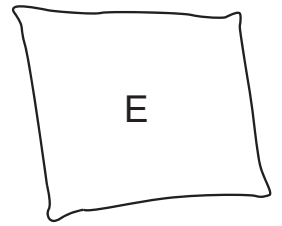
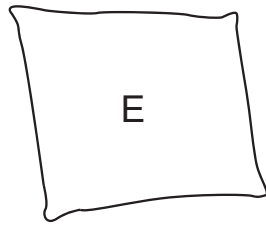
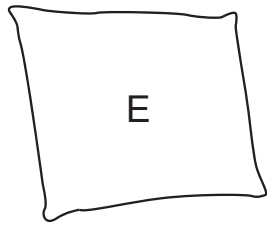
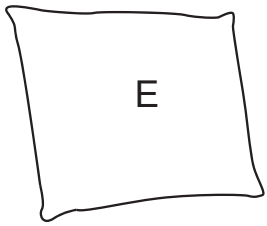
Warning: Fabrics can fade or change color in direct sunlight. Minimize direct sunlight exposure to extend the life of your furniture.

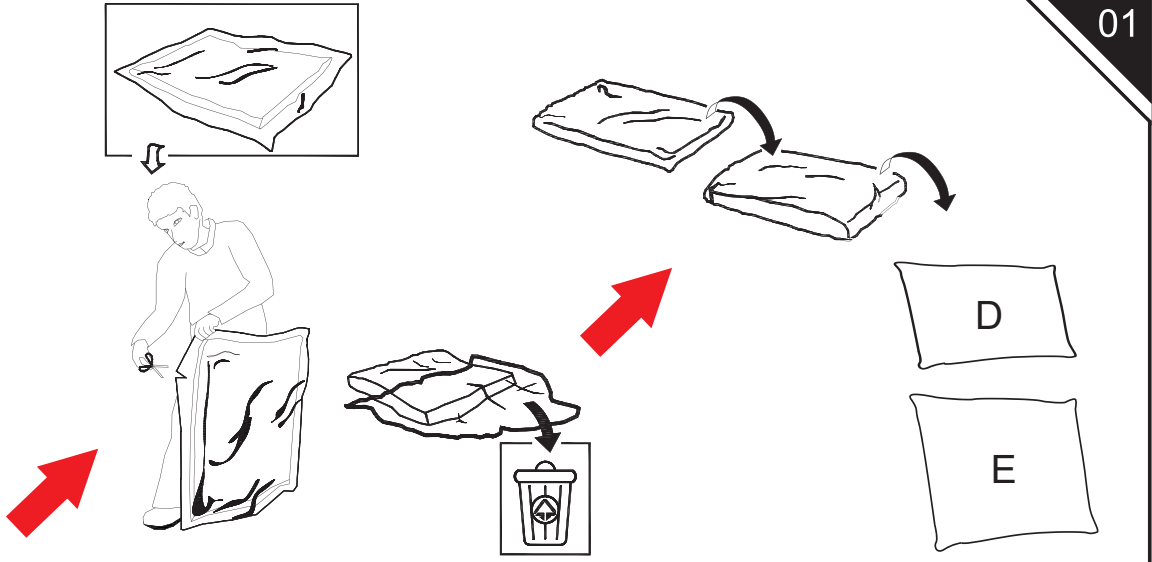
SEAT X4

<p>A x1</p> 	<p>B x1</p> 	<p>C x1</p> 
<p>D x1</p> 	<p>E x1</p> 	<p>F x1</p> 
<p>G x1</p> 		

ARM X1 FOOTRESTX1

<p>L x1</p> 		<p>M x1</p> 	<p>N x1</p> 
<p>O-R</p> 	<p>O-L</p> 	<p>I x1</p> 	<p>K x4</p> 
<p>H x1</p> 	<p>J x8</p>  M6X16 mm		<p>D x2</p> 

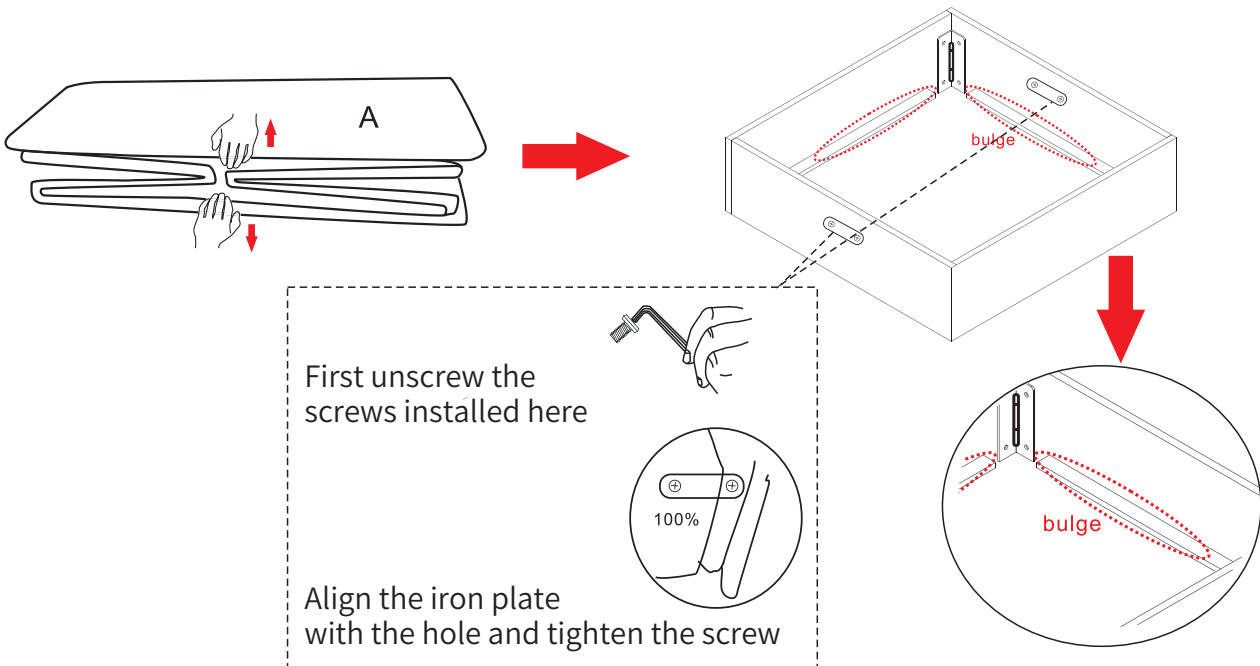




Open the vacuum bags for D, E, F, and I, and let them sit for 20 minutes to allow them to return to their natural shape. If there are wrinkles on the surface of the product, please use an iron to smooth them out.

Note: When using a knife or scissors to open the packaging, be careful not to damage the product.

Open the seat frame with both hands Open as shown in the picture



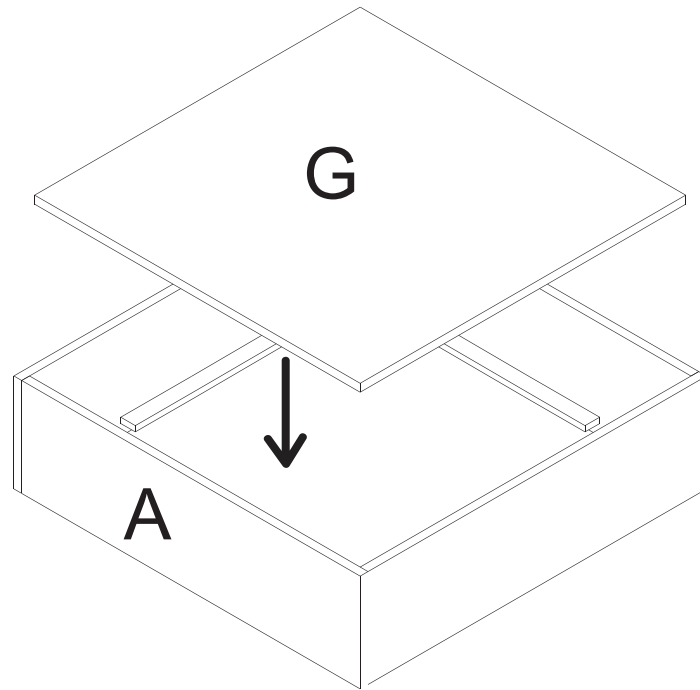
First unscrew the screws installed here

Align the iron plate with the hole and tighten the screw

100%

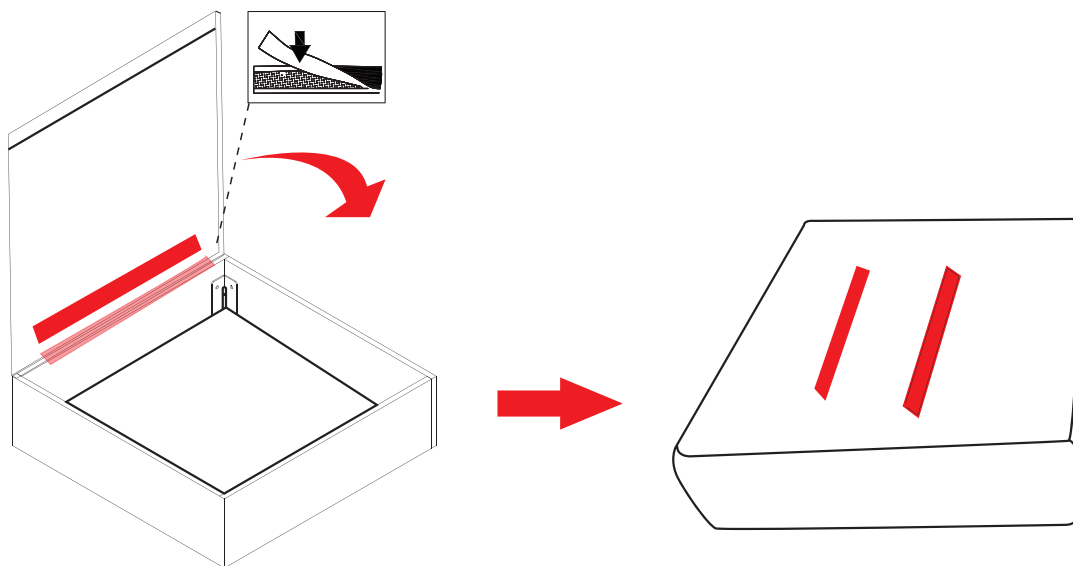
G x3
A x3

03



C x3
M x1

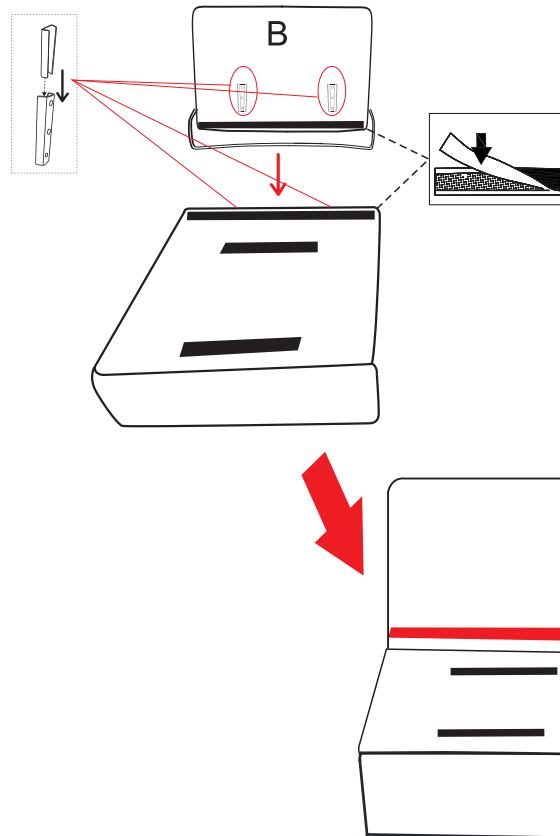
04



B x3

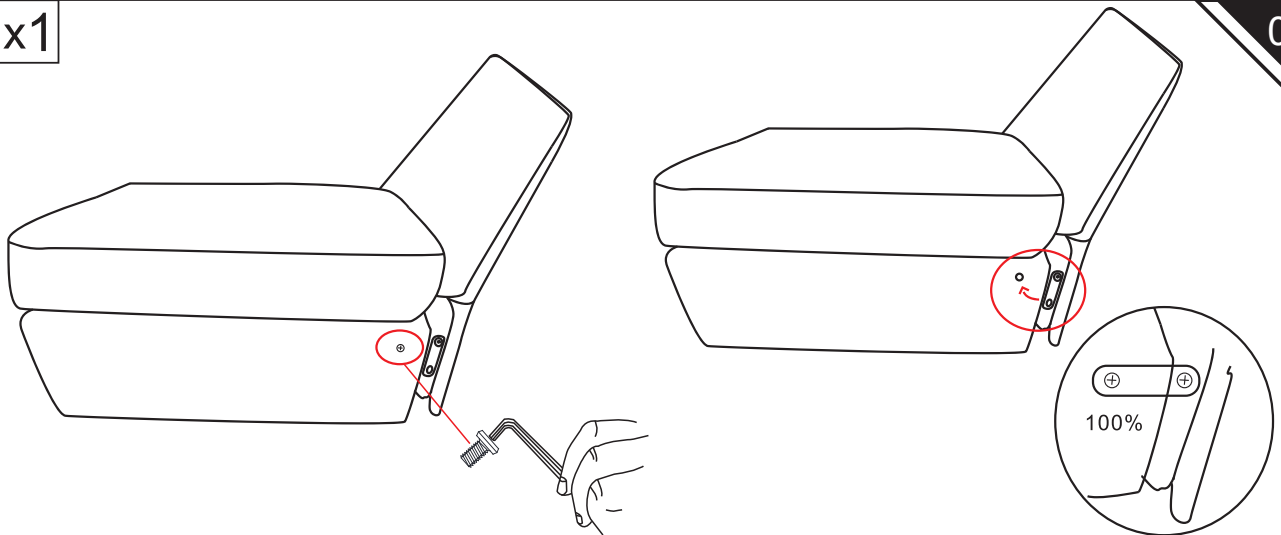
Insert the backrest into the seat cushion

05



H x1

06



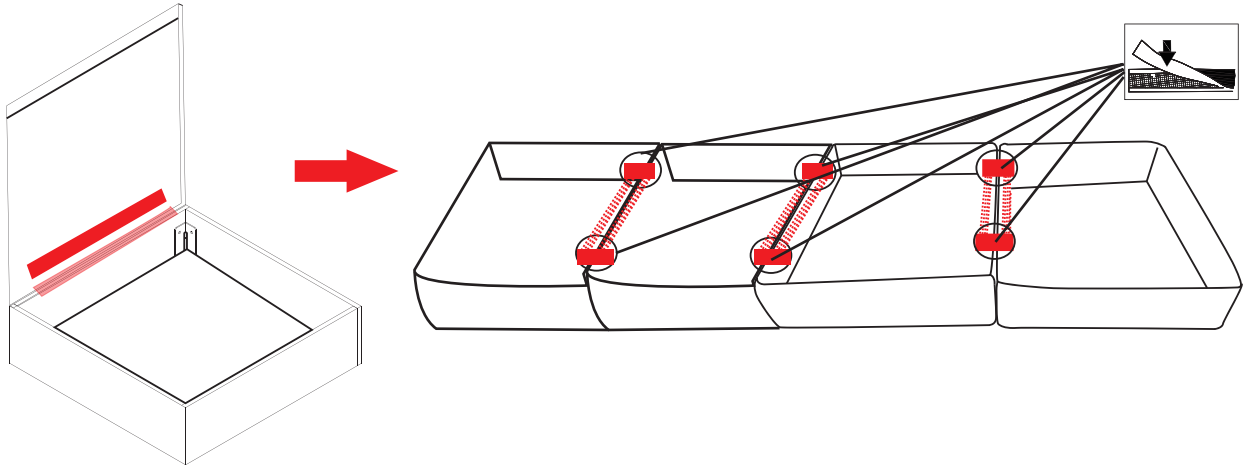
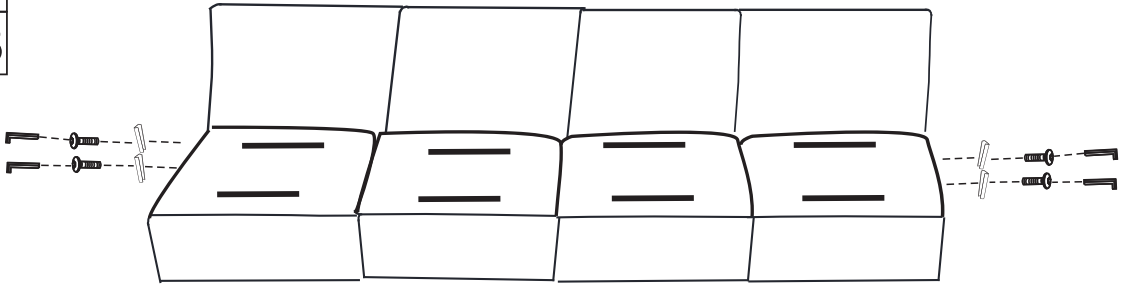
First screw the screws installed here

Align the iron plate with the hole and tighten the screw

En:
Rotate the metal plate to align with the hole, and use screws to connect. Once connected, fully tighten both screws.

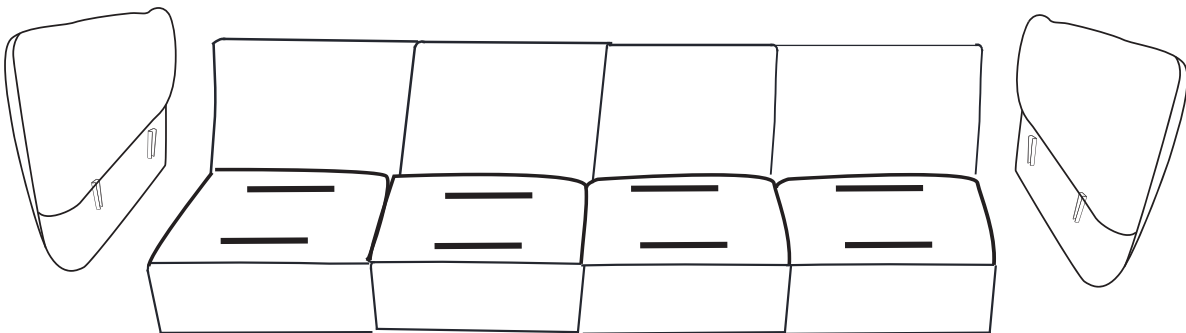
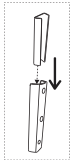
K x4
J x8

07



O-R x1
O-L x1

08



Place the pedals and cushions as shown in the picture

