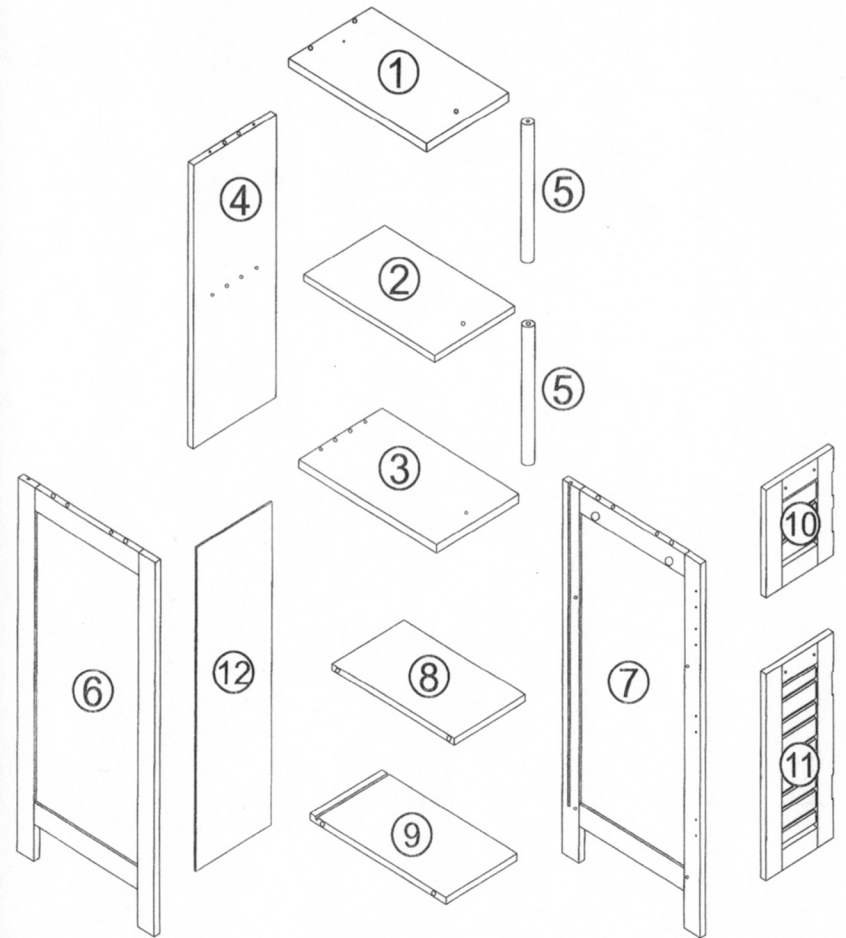
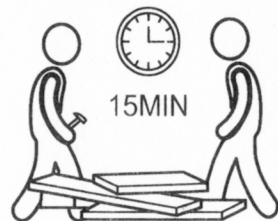
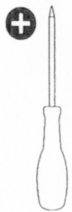
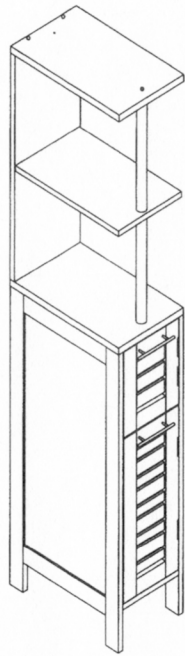

















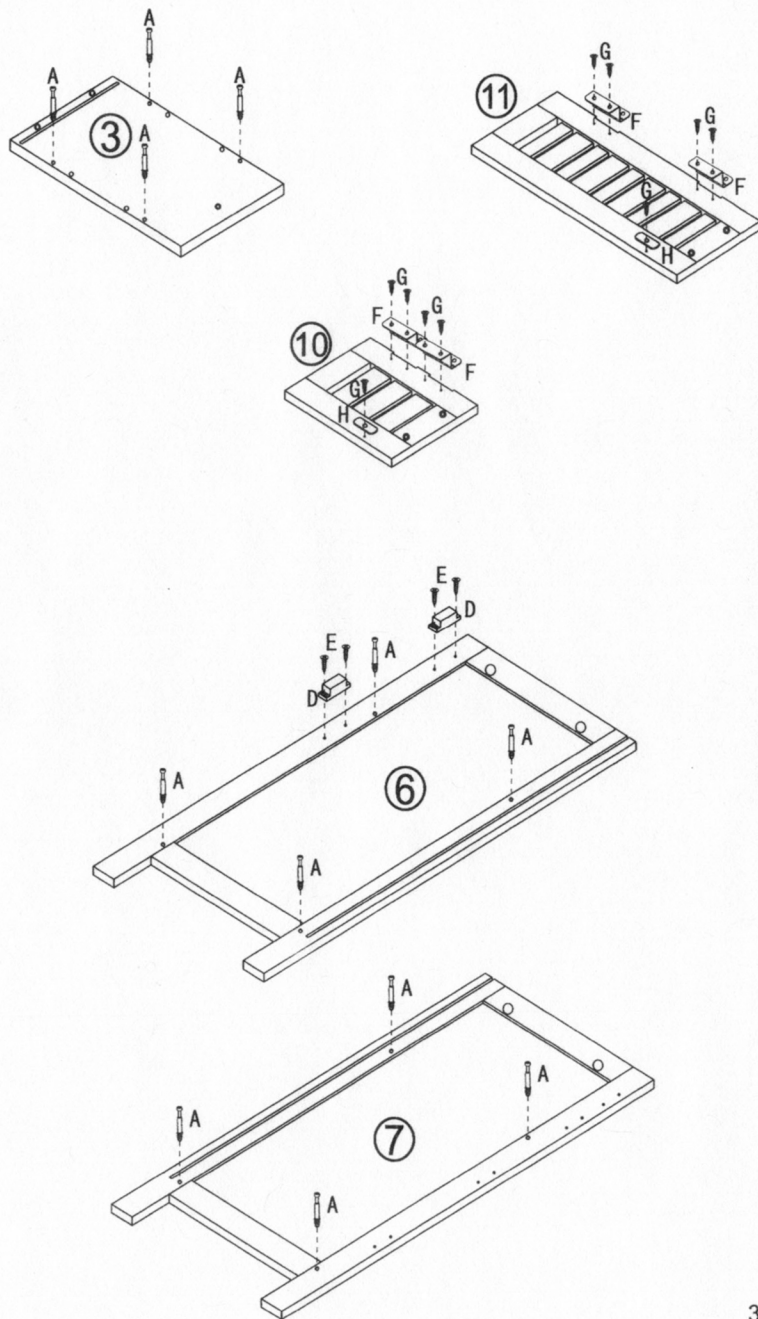


9931-306



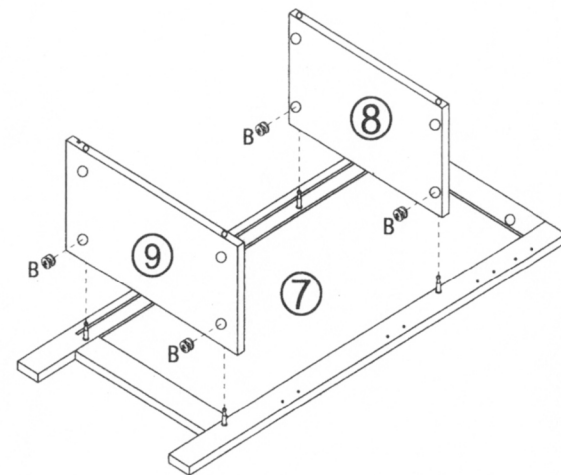
Ax12  6x35mm	Bx12  15x10mm	Cx10  6x30mm	Dx2  6x35mm	Ex8  3x14mm	Fx4 
Gx18  3x12mm	Hx2 	Ix4 	Jx9  4x35mm	Kx1 	Lx1  4x12mm
Mx1 	Nx4 	Ox1 	Px4 	Qx2 	

1



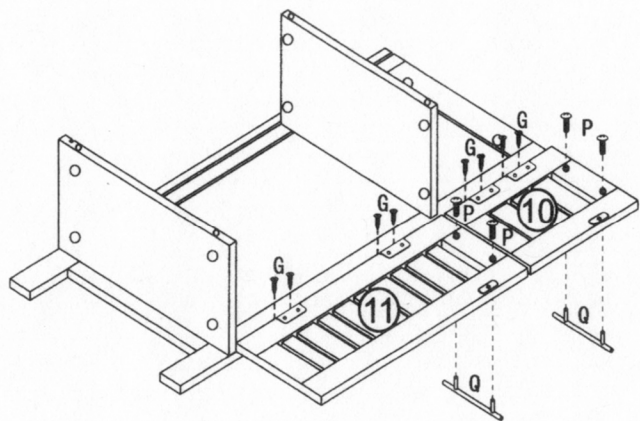
3/12

2



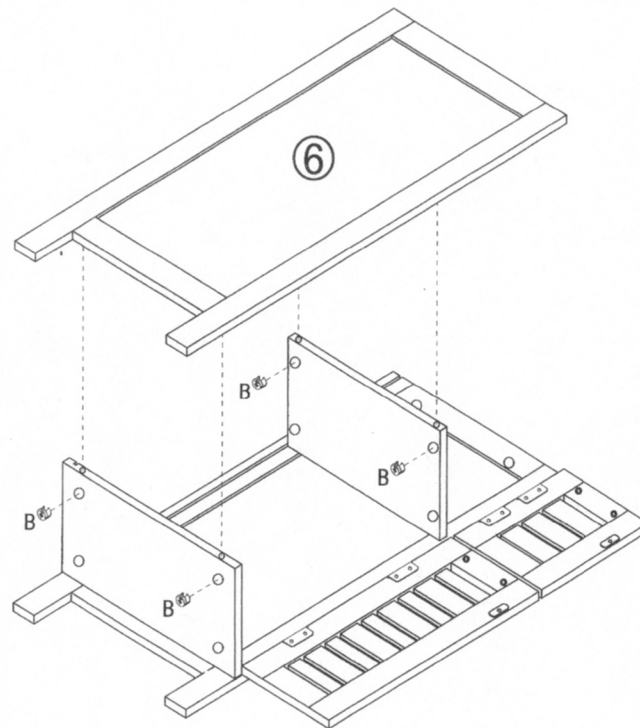
4/12

3



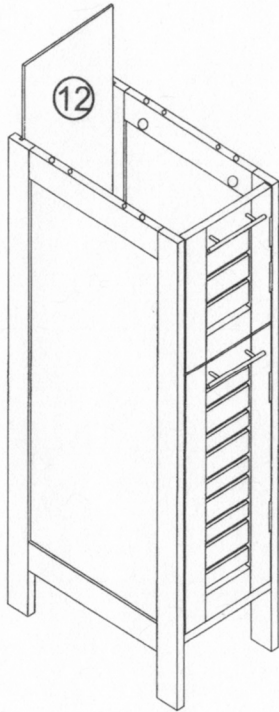
5/12

4



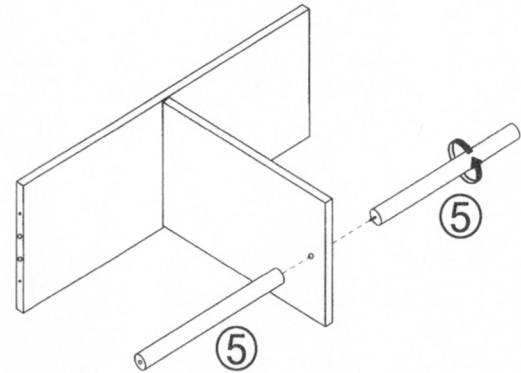
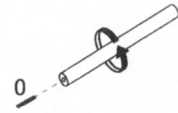
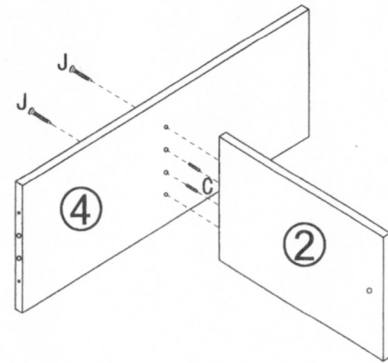
6/12

5



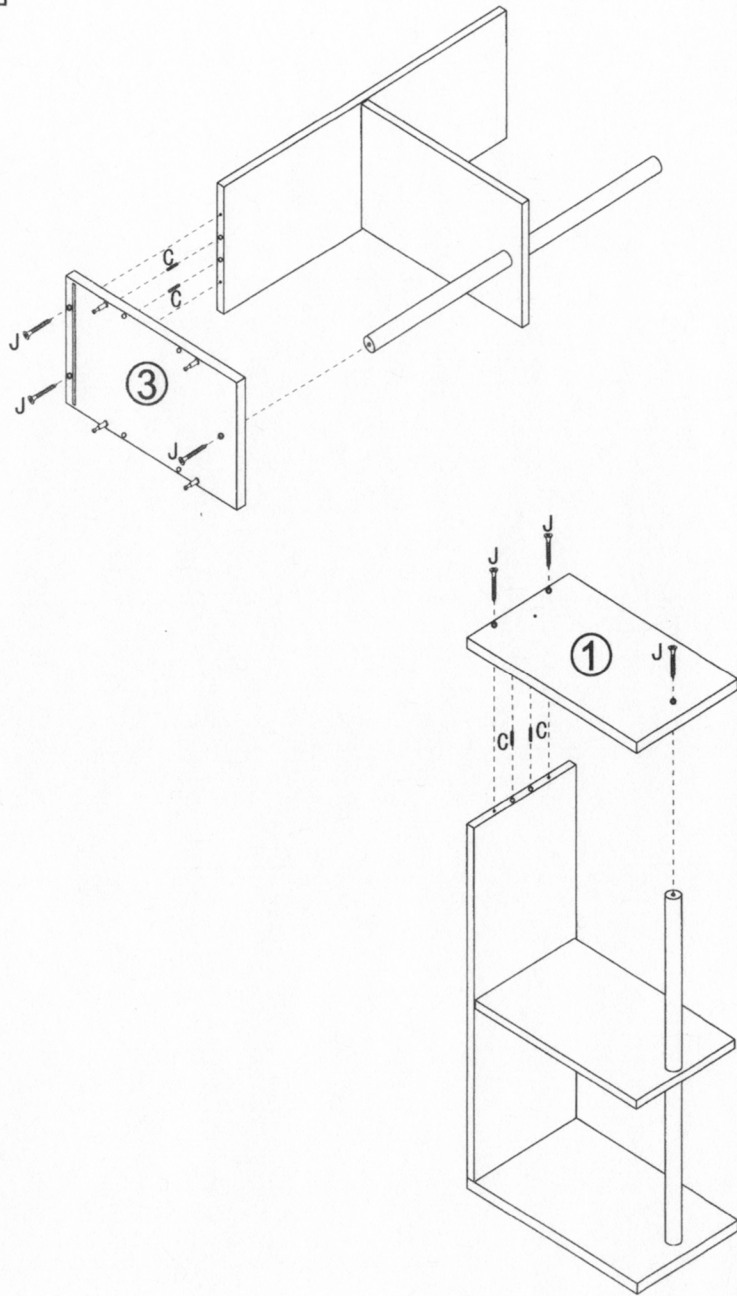
7/12

6



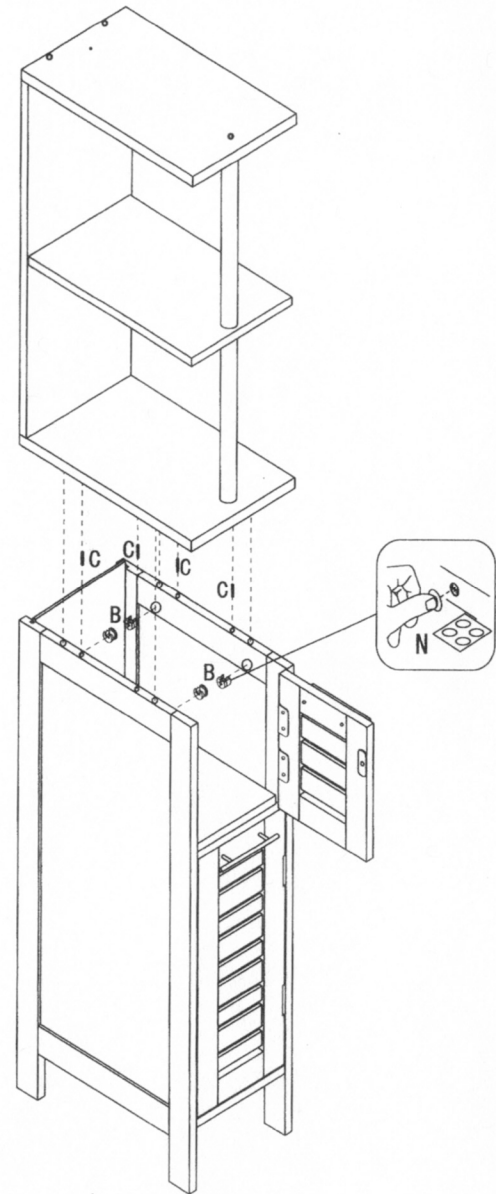
8/12

7



9/12

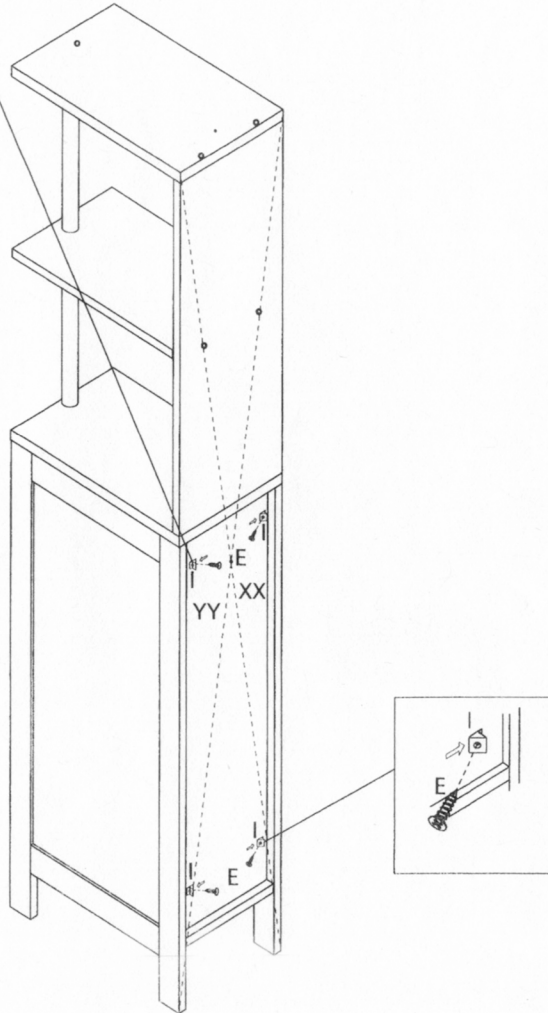
8



10/12

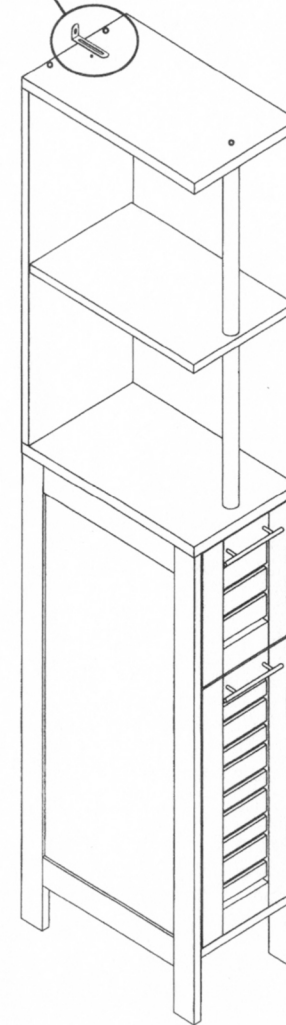
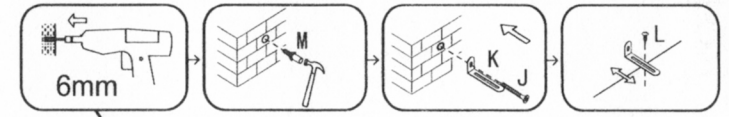
9

Avant de fixer "I", s'assurer que la dimension "XX=YY".
 Before fix "I", please make sure size "XX=YY".



11/12

10



12/12