



INLIGHT is registered trademarks of Inlight Co. Ltd. All Rights Reserved.

Installation Guide

Low Voltage LED Puck Light Kit



Model #
IN-0113-3-XX-XX

✉ Questions, problems, missing parts?

Contact the customer service department at info@getinlight.com

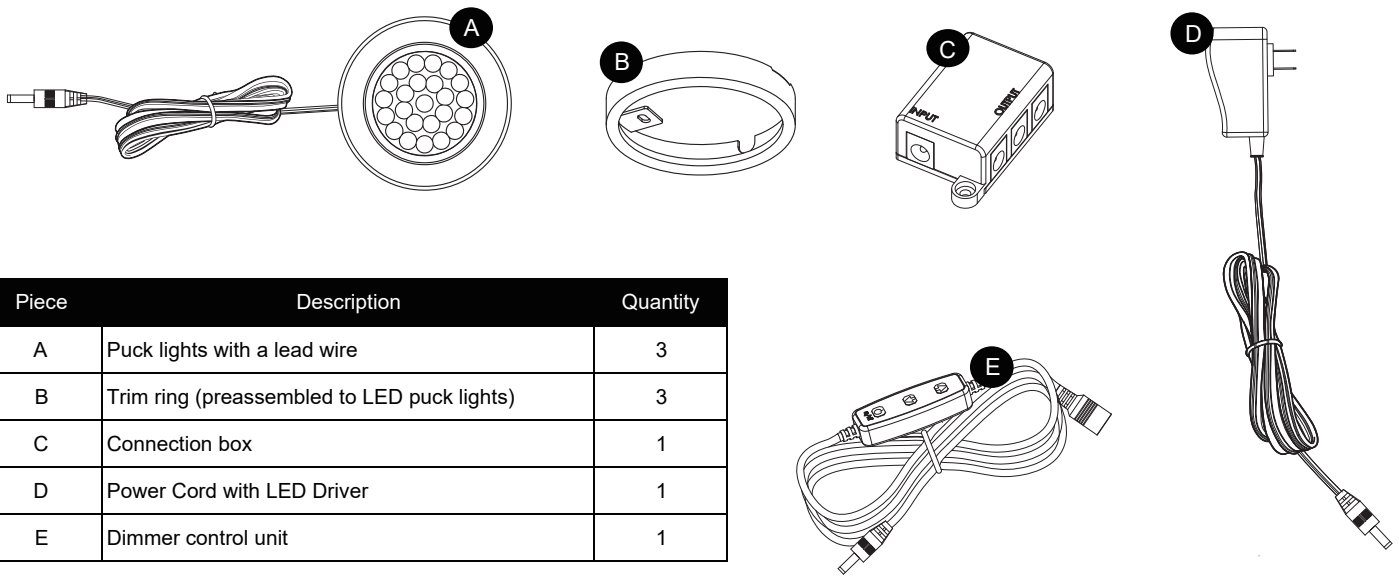
We commit to respond to emails within 24 hours - and sooner, if possible!
We are devoted to solving problems and offering the best service to our customers.

⚠ PLEASE READ THESE INSTRUCTIONS BEFORE COMMENCING INSTALLATION AND RETAIN FOR FUTURE REFERENCE.

ATTACH YOUR RECEIPT HERE

Purchase Date _____

Package Contents



| Piece | Description | Quantity |
|-------|---|----------|
| A | Puck lights with a lead wire | 3 |
| B | Trim ring (preassembled to LED puck lights) | 3 |
| C | Connection box | 1 |
| D | Power Cord with LED Driver | 1 |
| E | Dimmer control unit | 1 |

Hardware Contents



Warranty

5-YEAR LIMITED WARRANTY

The manufacturer warrants this product to be free from defects in materials and workmanship for a period of Five (5) years from date of purchase. This warranty applies only to the original consumer purchaser and only to products used in normal use and service. If this product is found to be defective, the manufacturer's only obligation, and your exclusive remedy, is the repair or replacement of the product at the manufacturer's discretion, provided that the product has not been damaged through misuse, abuse, accident, modifications, alterations, neglect, or mishandling. This warranty shall not apply to any product that is found to have been improperly installed, set-up, or used in any way not in accordance with the instructions supplied with the product. This warranty shall not apply to a failure of the product as a result of an accident, misuse, abuse, negligence, alteration, or faulty installation, or any other failure not relating to faulty material workmanship. The manufacturer specifically disclaims any liability and shall not be liable for any consequential or incidental loss or damage, including labor/expense costs involved in the replacement or repair of said product.

Contact the Customer Service Team at info@getinlight.com or visit www.getinlight.com

⚠ WARNING AND CAUTIONS

WARNING To reduce the risk of FIRE, ELECTRIC SHOCK, OR INJURY TO PERSONS:

-For **INDOOR USE ONLY**.

-Do **NOT** touch LEDs. Do **NOT** remove the protective LED lens. Do **NOT** look directly at lighted LEDs for any length of time.

-Do **NOT** touch, operate, or install fixture while in contact with water. Not intended for illumination of aquariums. Do **NOT** mount over sinks or stoves.

-Not intended for recessed installation in ceilings or soffits. Do **NOT** mount the light to cabinets having a material thickness less than 1/4 in.

-The low voltage portable cabinet light may be installed inside or under a kitchen cabinet or other built-in furniture when the low voltage Class 2 power supply is located **OUTSIDE** the cabinet and is not concealed and when the line voltage power supply cord is not concealed or run through openings in the cabinet, walls, ceilings or floors. This requirement does not apply to the wiring between the cabinet light and the power unit.

-Do **NOT** attempt to install while plugged in.

-Use only insulated staples or plastic ties to secure cords, route and secure cords so that they will **NOT** be pinched or damaged when the cabinet is pushed to the wall.

-To reduce the risk of fire, do not install in a compartment smaller than 12 inches by 12 inches by 12 inches.

CAUTIONS

-Read and understand all instructions and illustrations completely before proceeding with assembly and installation of this fixture.

-All parts must be used as indicated in these instructions. Do not substitute any parts, leave parts out, or use any parts that are worn out or broken. Failure to obey this instruction could invalidate the UL listing, C.S.A. certification, and/or ETL listing of this fixture.

-This fixture is intended for installation in accordance with the National Electric Code (NEC) and all local code specifications.

-Use **ONLY** the supplied LED driver to power fixture.

-LEDs can be damaged by electro static discharge (ESD) shock. Before installation, discharge yourself by touching a grounded bare metal surface to remove this hazard. To avoid damage, do not remove the clear lens over the LED module.

-**DO NOT USE THIS FIXTURE A DIMMING CIRCUIT.** If dimmer controls are present, remove them and replace them with regular electrical switches. If a three-way dimmer is present, replace it with a regular three-way switch. If unfamiliar with electrical installations, it is recommended a qualified electrician do the installation.

-The light sources are non-changeable light emitting diodes (LED). Do not disassemble this product.

-Included LED driver accommodates a maximum of 6 wattage only. Beware not to exceed the wattage of the LED driver, this is displayed on the driver.

Pre-Installation

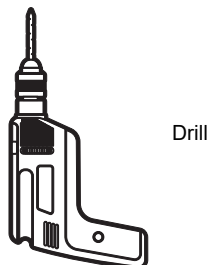
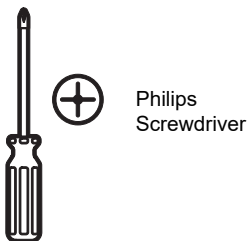
PLANNING INSTALLATION

Compare all parts with the parts listed in the hardware included and pack contents sections. If any part appears missing or damaged, do not install and use this light. Contact customer service.

*****CONSULT A LOCAL LICENSED ELECTRICIAN OR ELECTRICAL CONTRACTOR IF YOU ARE NOT SURE ABOUT THE INSTALLATION.*****

ESTIMATED ASSEMBLY TIME: 20 minutes.

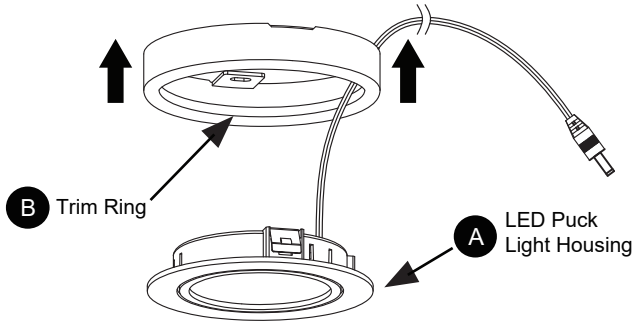
HELPFUL TOOLS:



Installation (Section A) - Surface Mounting (Wires under a shelf or cabinet)

1 Prepare for installation

- Separate the trim ring (B) that is attached to the LED puck light housing (A) by pushing on the back of the LED puck light.
- Repeat this step for the remaining LED puck lights.



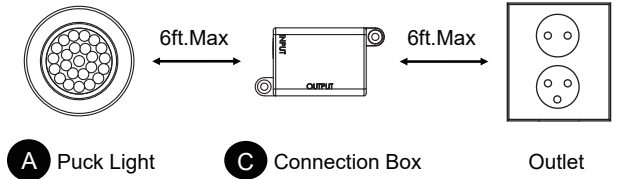
2 Locate the desired positions for all units

- Locate the desired positions where the LED puck lights (A) and connection box (C) are to be mounted.

Note:

Ensure the connection box (C) is within 6 ft. of an electrical outlet and the puck lights (A) are located within 6 ft. of the connection box (C).

- Measure and mark the corresponding placement on the

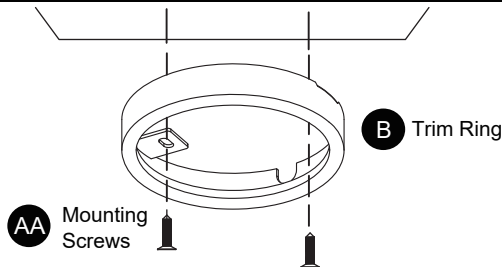


3 Install the trim rings

- Install the trim ring (B) to the bottom side of the cabinet by inserting two mounting screws (AA) into the mounting holes on the bottom of each trim ring (B).

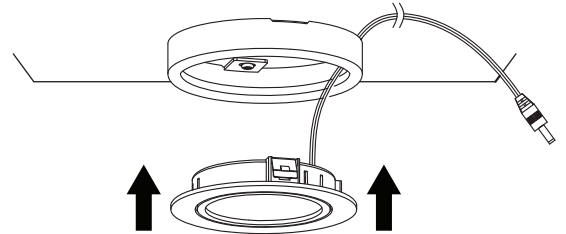
Note:

Do not fully tighten the screws into the trim ring as the cords from the LED puck housing will need to be pulled through the hotches on the trim ring before securing.



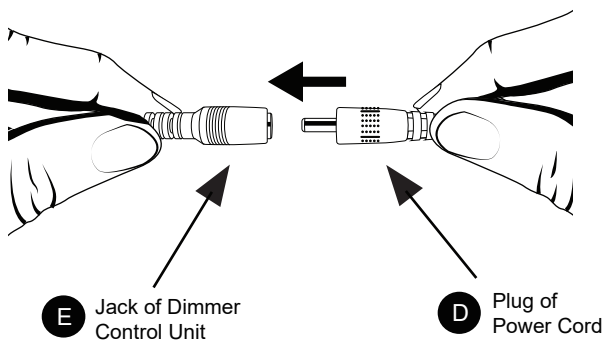
4 Install the LED puck lights

- Take the cord from the LED puck housing (A) and feed the cord through the outlet hole of the trim ring (B). Do not pull the cord tight just yet, as you need to leave space to screw in the trim ring (B).
- Tighten the screws (AA) and push the LED puck housing (A) into the trim ring (B) while pulling the cord tight.
- Repeat steps 1 to 3 to install the remaining two LED puck lights (A).



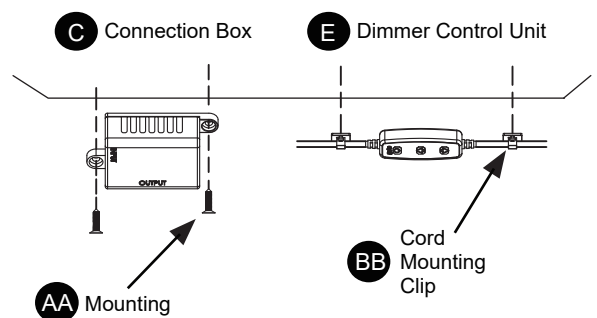
5 Connect the dimmer control unit and power cord

- Insert the plug from the power cord (D) into the jack of the dimmer control unit (E).



6 Install the connection box and dimmer control unit

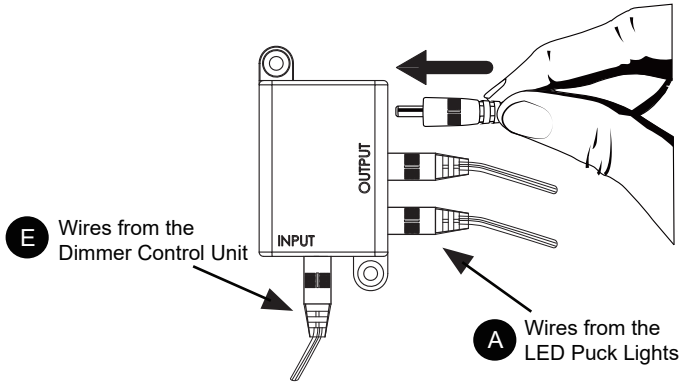
- Attach the connection box (C) to the bottom of the cabinet using two mounting screws (AA).
- Attach the dimmer control unit to the bottom of the cabinet using two cord mounting clips (BB).



Installation (Section A) - Surface Mounting (Wires under a shelf or cabinet)

7 Connect the cords

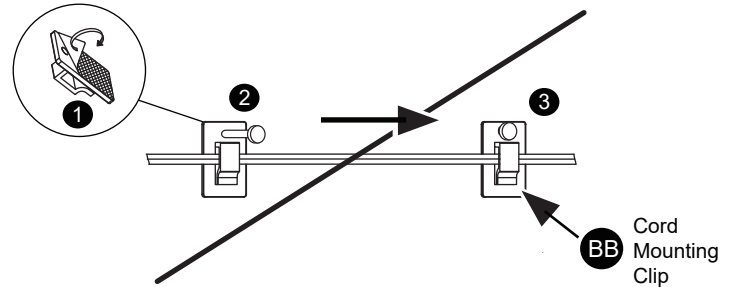
- Connect the wires from all 3 of the LED puck lights (A) to the hole which marked as "output" in the connection box (C).
- Connect the wire from the dimmer control unit (E) to the hole which marked as "input" in the connection box (C).



8 Secure the cords

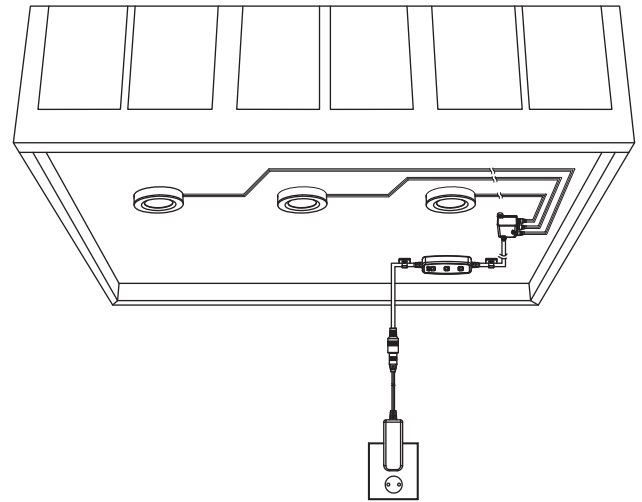
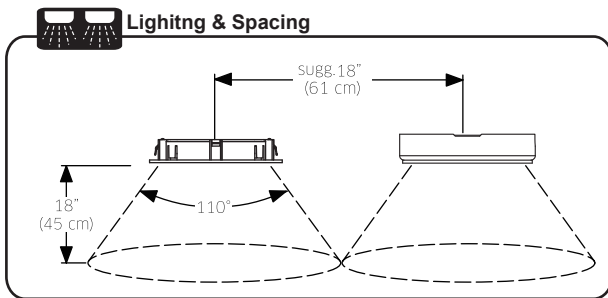
- Excess puck light cords and power cord can be secured using the cord mounting clips (BB)

Note:
Proceed with caution when attaching the cord clips to the cabinet, make sure the metal nail does not pierce through the cord.



9 Connect the plug to an electrical outlet

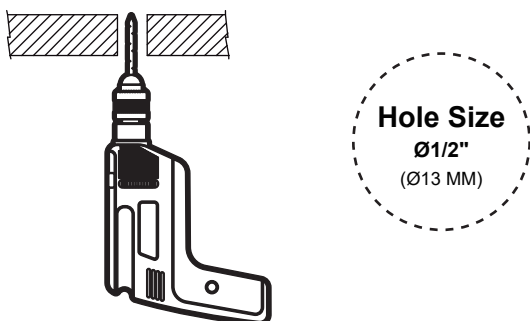
- Insert the power plug (D) into an electrical outlet and installation is now complete.



Installation (Section B) - Surface Mounting (Wires on top of a shelf or cabinet)

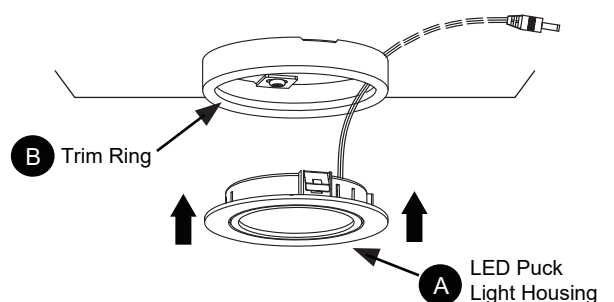
1 Prepare for installation

- Locate positions where LED puck lights are to be mounted by following step 2 in Section A - Surface Mounting (Wires under a shelf or cabinet)
- Use the enclosed template to drill 1/2" hole to pass the LED puck light cord through the shelf.



2 Install the trim rings

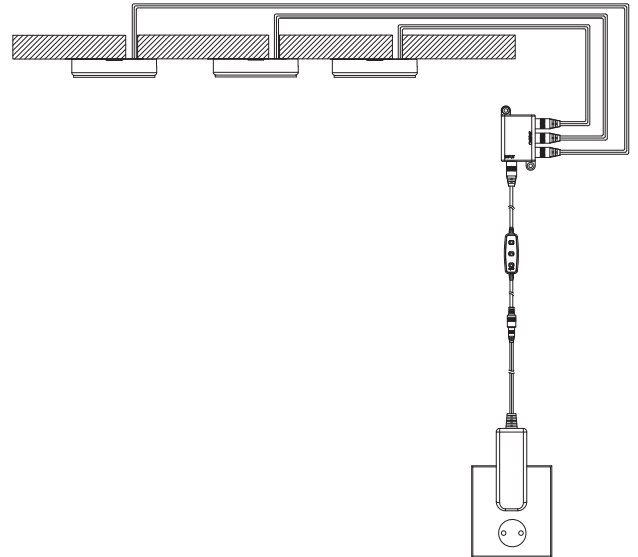
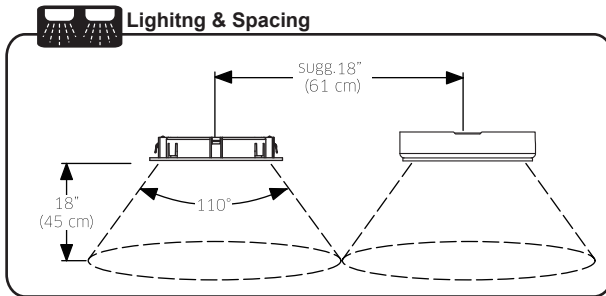
- Install the trim rings as described in step 3 of Section A - Surface Mounting (Wires under a shelf or cabinet)
- Thread the cord from the LED puck housing through the hole, compress the springs and push the LED puck housing (A) into the trim ring (B).
- Repeat steps 1 to 2 to install the remaining LED puck lights.



Installation (Section B) - Surface Mounting (Wires on top of a shelf or cabinet)

3 Connect the LED puck lights and connection box

- Install the connection box and dimmer control unit as described in step 5 to 6 of Section A - Surface Mounting (Wires under a shelf or cabinet).
- Connect and secure the cords, then connect the plug to the electrical outlet as described in steps 7 to 9 of Section A - Surface Mounting (Wires under a shelf or cabinet)



Installation (Section C) - Recessed Mounting

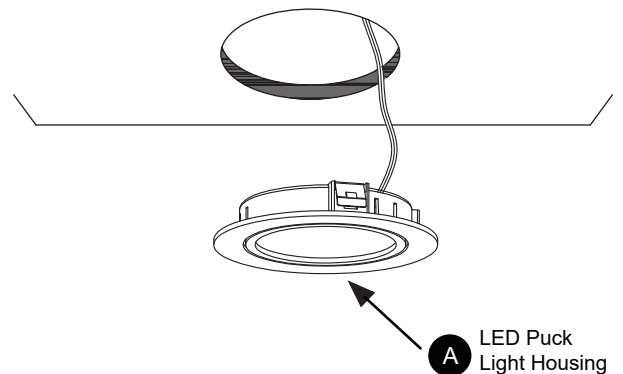
1 Prepare for installation

- Separate the trim ring (B) by pushing on the back of the LED puck housing (A).
- Locate positions where LED puck lights are to be mounted by following step 2 in Section A - Surface Mounting (Wires under a shelf or cabinet)
- Use the enclosed template to drill a 2-3/8" hole.



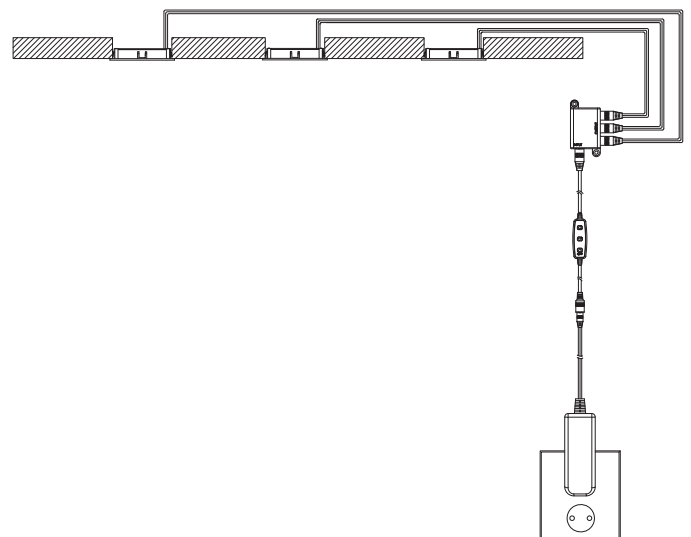
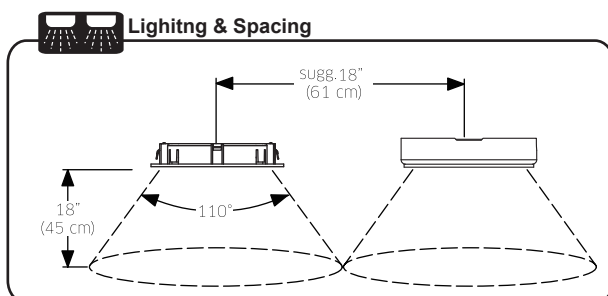
2 Insert the LED puck lights

- Thread the wires from the LED puck housing (B) through the hole and insert the fixture into the hole. Repeat the steps for the remaining two LED puck lights (A).



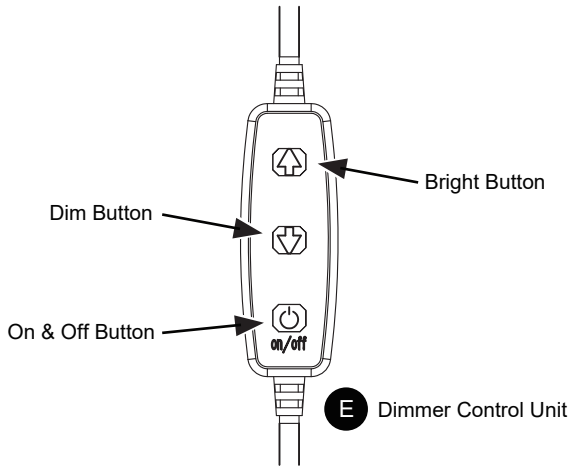
3 Connect the LED puck lights and connection box

- Install the connection box and dimmer control unit as described in step 5 to 6 of Section A - Surface Mounting (Wires under a shelf or cabinet).
- Connect and secure the cords, then connect the plug to the electrical outlet as described in steps 7 to 9 of Section A - Surface Mounting (Wires under a shelf or cabinet)



Dimming Control

Press the on/off button to switch on the light and use the dim/bright button to adjust the brightness of the puck lights.



Troubleshooting

| Problem | Possible Cause | Corrective Action |
|--|--|--|
| Fixture doesn't light. | 1. Power is off. | 1. Check if power supply is on. |
| | 2. Faulty Switch. | 2. Replace switch. |
| | 3. Faulty wire connection. | 3. Check wiring. |
| | 4. Damaged or defect LED driver. | 4. Replace the LED driver |
| Fuse blows or circuit breaker trips when light is turned on. | 1. Overloaded circuit 2. Short circuit. | Discontinue use and call customer service. |

Maintenance

These lights use light emitting diodes (LEDs) to provide light. LEDs do not have a filament to burn out like a traditional light bulb. LEDs gradually emit less light over their lifetime, but will typically last 50,000 hours in a residential environment.

Periodically clean the fixture and diffuser using a mild, non-abrasive cleaner and soft cloth. When cleaning the fixture, make sure the power is turned off. Do not spray cleaner directly onto any part of the fixture or LEDs.



Questions, problems, missing parts? Before returning to the store, contact Inlight Customer Service

info@getinlight.com

Retain this manual for future use.

 is a trademark of Inlight Co. Ltd.