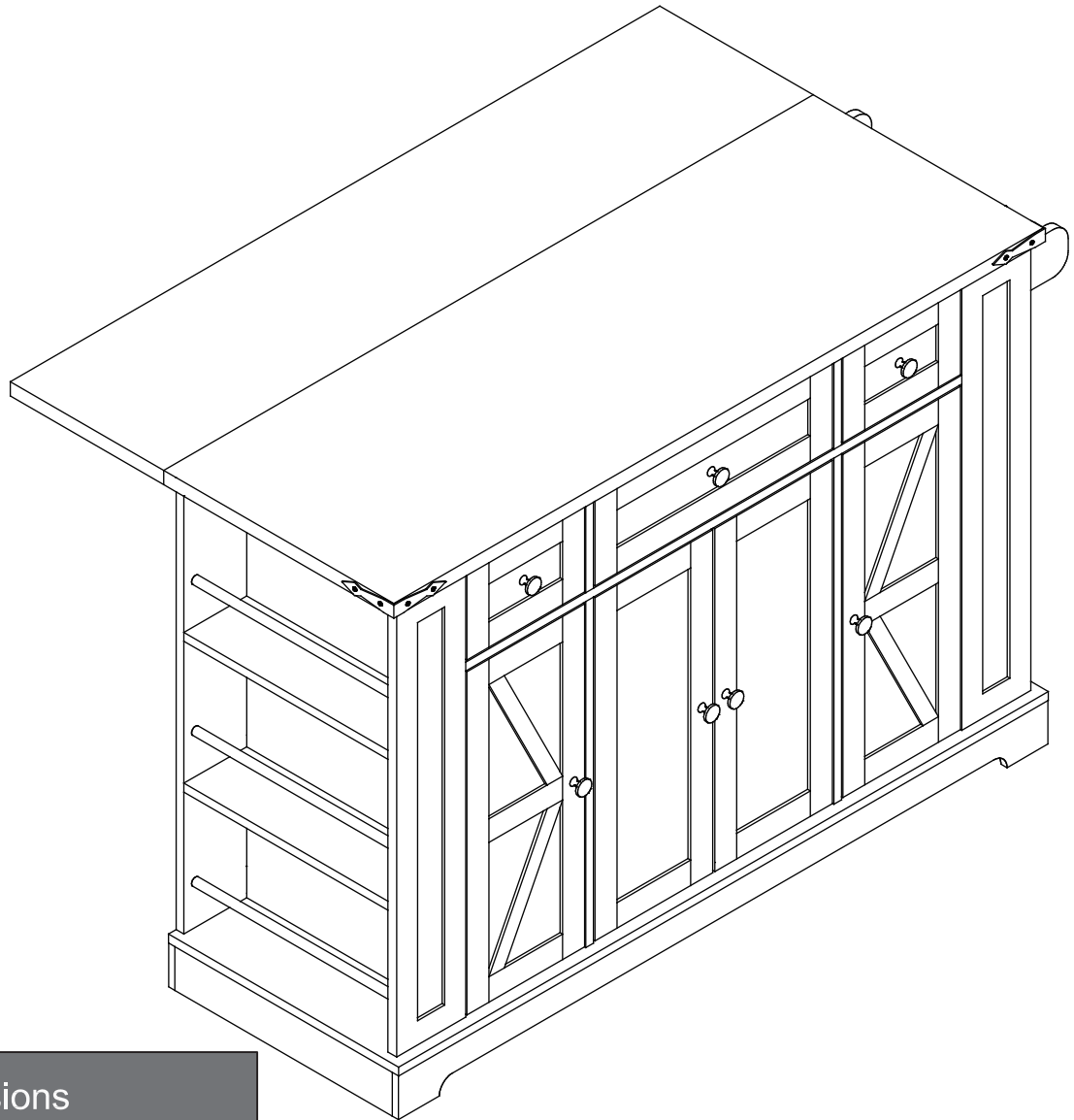


Kitchen Island Carts



Dimensions

Width-50inch

Depth-17.75inch+29.5inch

Height-36inch

Important – Please read these instructions fully before starting assembly



Safety and Care Advice

Important – Please read these instructions fully before starting assembly

- Check you have all the components and tools listed on the following pages.
- Remove all fittings from the plastic bags and separate them into their groups.
- Keep children and animals away from the work area, small parts could choke if swallowed.
- Make sure you have enough space to layout the parts before starting.

- During assembly do not stand or put weight on the product, this could cause damage.
- Assemble the item as close to its final position (in the same room) as possible.
- Assemble on a soft level surface to avoid damaging the unit or your floor.
- Parts of the assembly will be easier with 2 people.



- To reduce the likelihood of damaging your product please ensure that your power drill is set on a low torque setting.

Care and maintenance

- Only clean using a damp cloth and mild detergent, do not use bleach or abrasive cleaners.
- From time to time check that there are no loose screws on this unit.
- This product should not be discarded with household waste. Take to your local authority waste disposal centre.

Handy Hints

- Assemble all parts and bolts loosely during assembly, only once the product is complete should you fully tighten the bolts
- Regularly check and ensure that all bolts and fittings are tightened properly.

WARNING In order to help prevent overturning – please follow these instructions

To help prevent product toppling over please follow the below steps:-

Use the anti tip strap or wall fixing method provided (if applicable)
Do not allow children to climb or hang on the furniture
Do not open more than one drawer at a time
Do not place heavy items in the top drawers
Do not place heavy items on top of the furniture, unless the furniture has been designed for this purpose

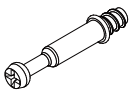


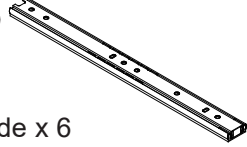


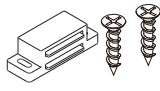
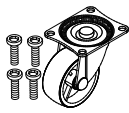
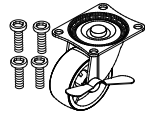
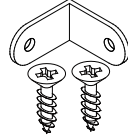
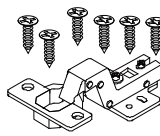
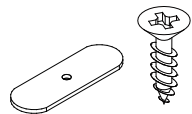
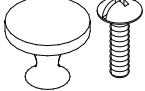

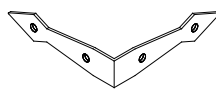

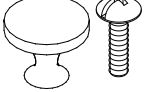
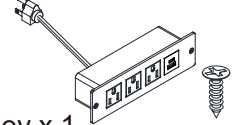
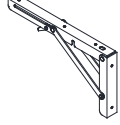
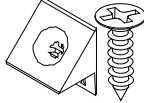
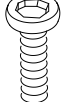
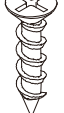

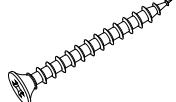
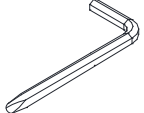
Please note that only the anti tip strap is provided.

You will need to provide wall plugs and screws applicable for your wall type

Components - Fittings

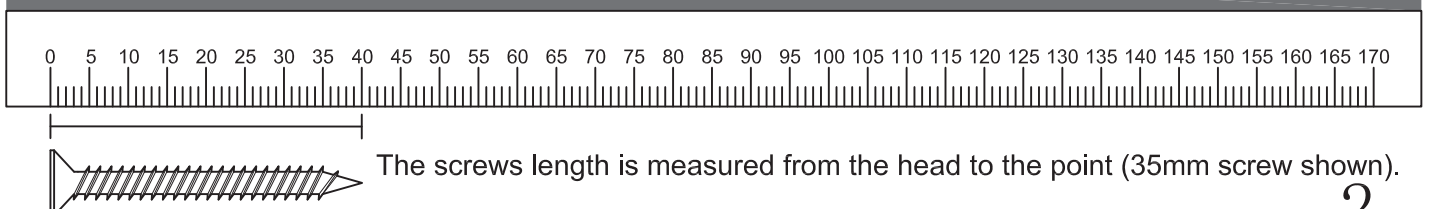
Please check you have all the panels listed below

Note: The quantities below are the correct amount to complete the assembly. In some cases more fittings may be supplied than are required.

<p>A</p>  <p>Cam Bolt x 92+2</p>	<p>B</p>  <p>Cam lock x 92+2</p>	<p>C</p>  <p>6*30mm Dowel x 38+2</p>	<p>D</p>  <p>Slide x 6</p>
<p>E</p>  <p>3*12mm Screw x 24+2</p>	<p>F</p>  <p>4*40mm Screw x 18+2</p>	<p>G</p>  <p>Magnetic impact x 3</p>	<p>H</p>  <p>Caster x 3</p>
<p>I</p>  <p>Locking caster x 2</p>	<p>J</p>  <p>x 2</p>	<p>K</p>  <p>x 8set</p>	<p>L</p>  <p>Suction sheet x 4</p>
<p>M</p>  <p>4*20mm Handle x 4set</p>	<p>N</p>  <p>Laminate support x 12</p>	<p>O</p>  <p>x 2</p>	<p>P</p>  <p>4*12mm Screw x 8</p>
<p>Q</p>  <p>4*8mm Handle x 3set</p>	<p>R</p>  <p>Pulley x 1</p>	<p>S</p>  <p>x 2set</p>	<p>T</p>  <p>Plastic Nail x 10</p>
<p>U</p>  <p>6*15mm Screw x 4</p>	<p>V</p>  <p>4*20mm Screw x 6</p>	<p>W</p>  <p>Perfect fit x26</p>	<p>X</p>  <p>4*30mm Screw x 32+2</p>
<p>Y</p>  <p>Allen key x 1</p>			

Tools required

Ruler - Use this ruler to help correctly identify the screws



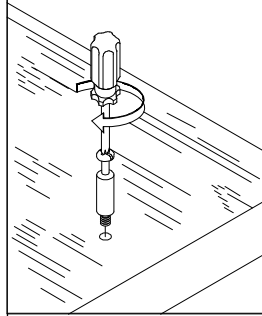
Using Camlocks

Step 1

Connect the male camlock as directed in the assembly instructions using a screwdriver.

1

DO NOT OVER TIGHTEN.
NE PAS SERRER EXCESSIVEMENT.



Step 2

Push the male camlock into the entry hole.

2

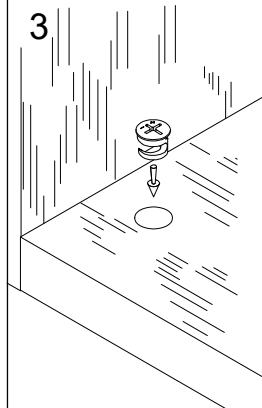


Step 3

Insert the female camlock as shown in the instruction.

Note: ensure that the arrow on the top of the camlock points towards the entry hole for the male camlock.

3



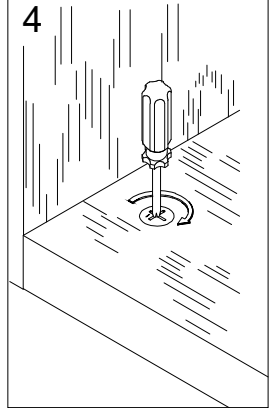
Step 4

Turn the female camlock clockwise with a screwdriver.

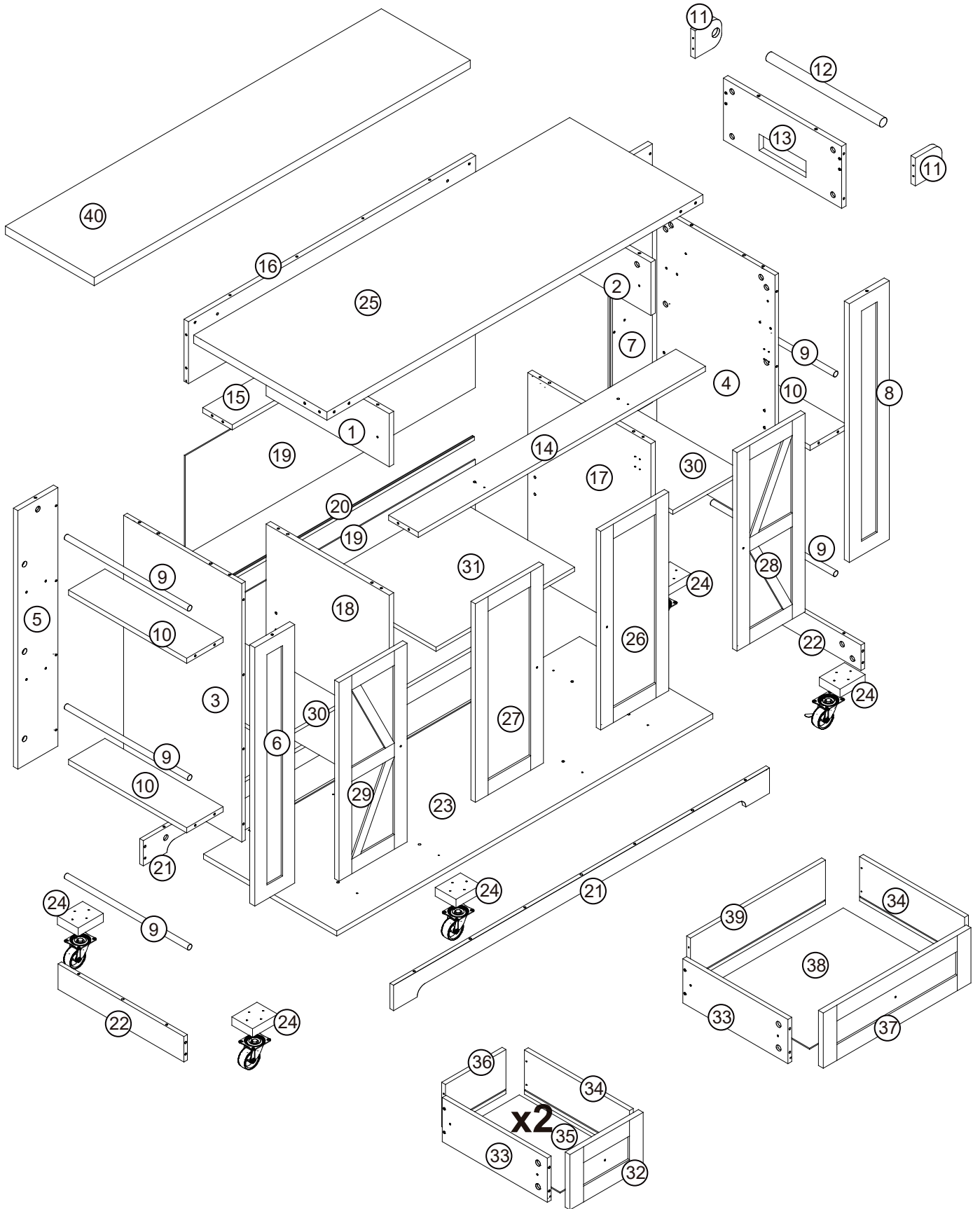
You should feel a click when the camlock is locked in place.

The joint is now secure.

4



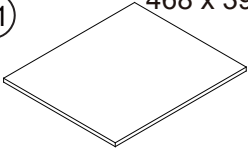
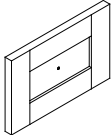
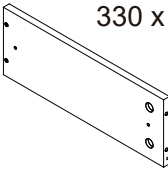
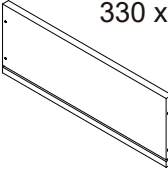
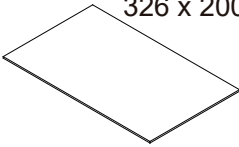
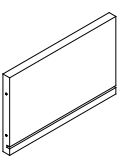
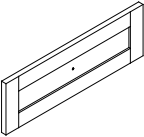
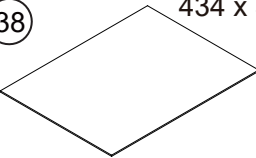
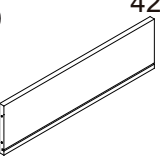
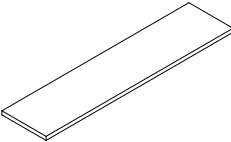
Assembly Instructions



Assembly Instructions

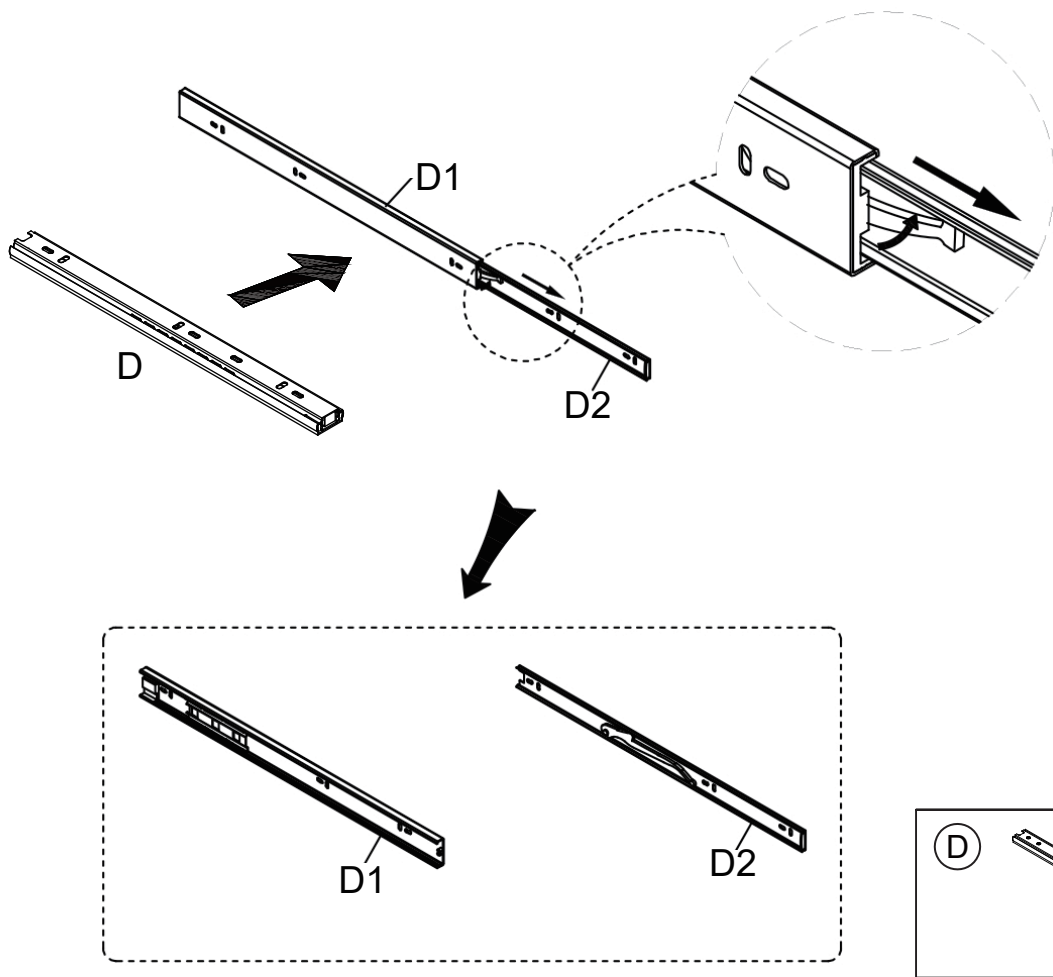
<p>① 415 x 156 x 15 mm</p> <p>1</p>	<p>⑪ 90 x 81 x 15 mm</p> <p>2</p>	<p>⑳ 1270 x 74 x 12 mm</p> <p>2</p>
<p>② 415 x 156 x 15 mm</p> <p>1</p>	<p>⑫ 385 x 25 x 25 mm</p> <p>1</p>	<p>㉒ 425 x 74 x 12 mm</p> <p>2</p>
<p>③ 755 x 399 x 12 mm</p> <p>1</p>	<p>⑬ 399 x 181 x 15 mm</p> <p>1</p>	<p>㉓ 1270 x 450 x 15 mm</p> <p>1</p>
<p>④ 755 x 399 x 12 mm</p> <p>1</p>	<p>⑭ 970 x 100 x 15 mm</p> <p>1</p>	<p>㉔ 85 x 70 x 25 mm</p> <p>5</p>
<p>⑤ 755 x 135 x 15 mm</p> <p>1</p>	<p>⑮ 970 x 100 x 15 mm</p> <p>1</p>	<p>㉕ 1270 x 450 x 24 mm</p> <p>1</p>
<p>⑥ 755 x 135 x 17 mm</p> <p>1</p>	<p>⑯ 970 x 181 x 15 mm</p> <p>1</p>	<p>㉖ 580 x 230 x 15 mm</p> <p>1</p>
<p>⑦ 755 x 135 x 15 mm</p> <p>1</p>	<p>⑰ 586 x 415 x 15 mm</p> <p>1</p>	<p>㉗ 580 x 230 x 15 mm</p> <p>1</p>
<p>⑧ 755 x 135 x 17 mm</p> <p>1</p>	<p>⑱ 586 x 415 x 15 mm</p> <p>1</p>	<p>㉘ 580 x 230 x 15 mm</p> <p>1</p>
<p>⑨ 416 x 15 x 15 mm</p> <p>5</p>	<p>⑲ 979 x 292 x 3 mm</p> <p>2</p>	<p>㉙ 580 x 230 x 15 mm</p> <p>1</p>
<p>⑩ 399 x 122 x 15 mm</p> <p>3</p>	<p>㉚ 964 mm</p> <p>1</p>	<p>㉛ 399 x 233 x 12 mm</p> <p>2</p>

Assembly Instructions

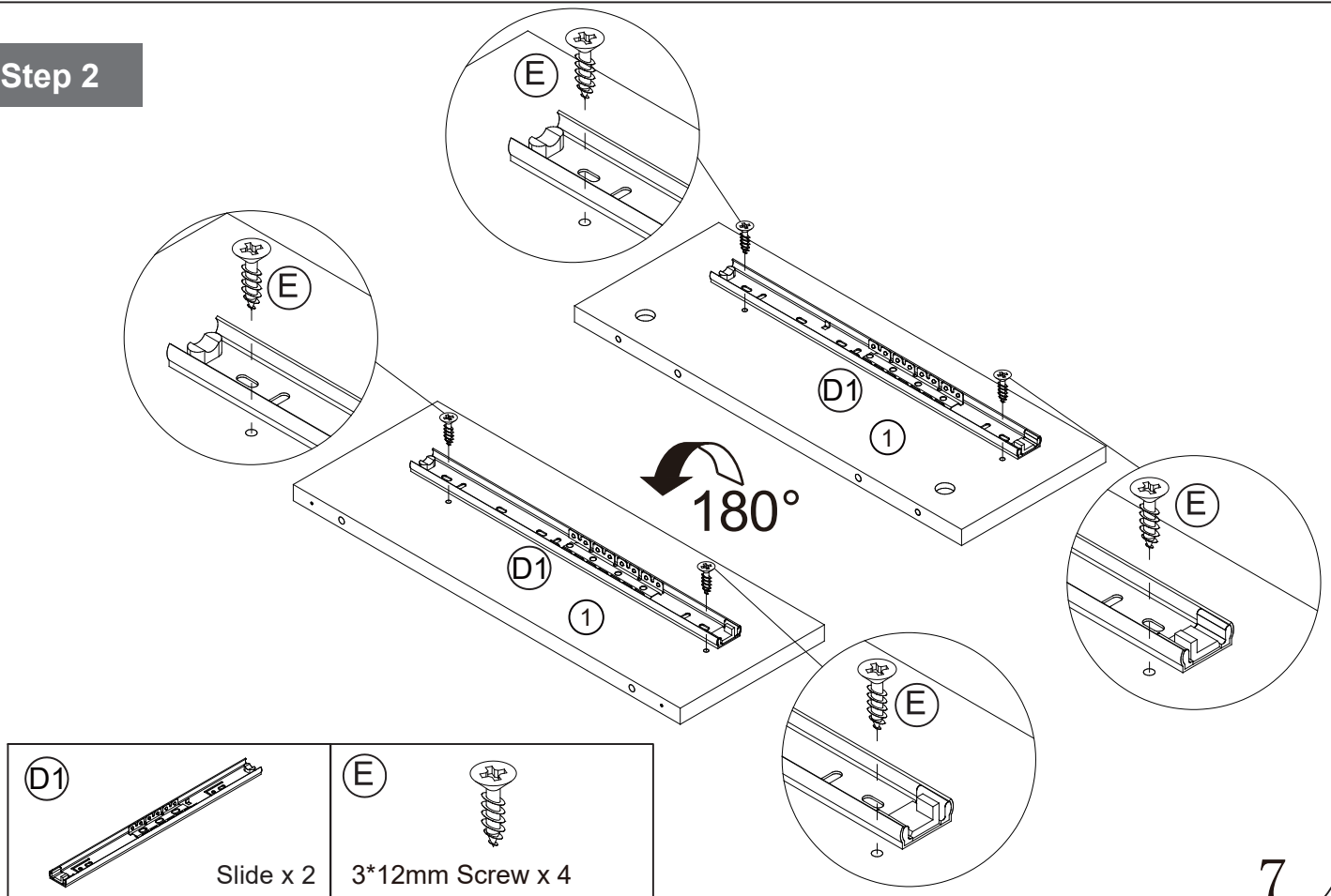
31	468 x 399 x 12 mm		1
32	230 x 150 x 15 mm		2
33	330 x 120 x 12 mm		3
34	330 x 120 x 12 mm		3
35	326 x 200 x 3 mm		2
36	190 x 120 x 12 mm		2
37	464 x 150 x 15 mm		1
38	434 x 326 x 3 mm		1
39	425 x 120 x 12 mm		1
40	1270 x 300 x 24 mm		1

Assembly Instructions

Step 1

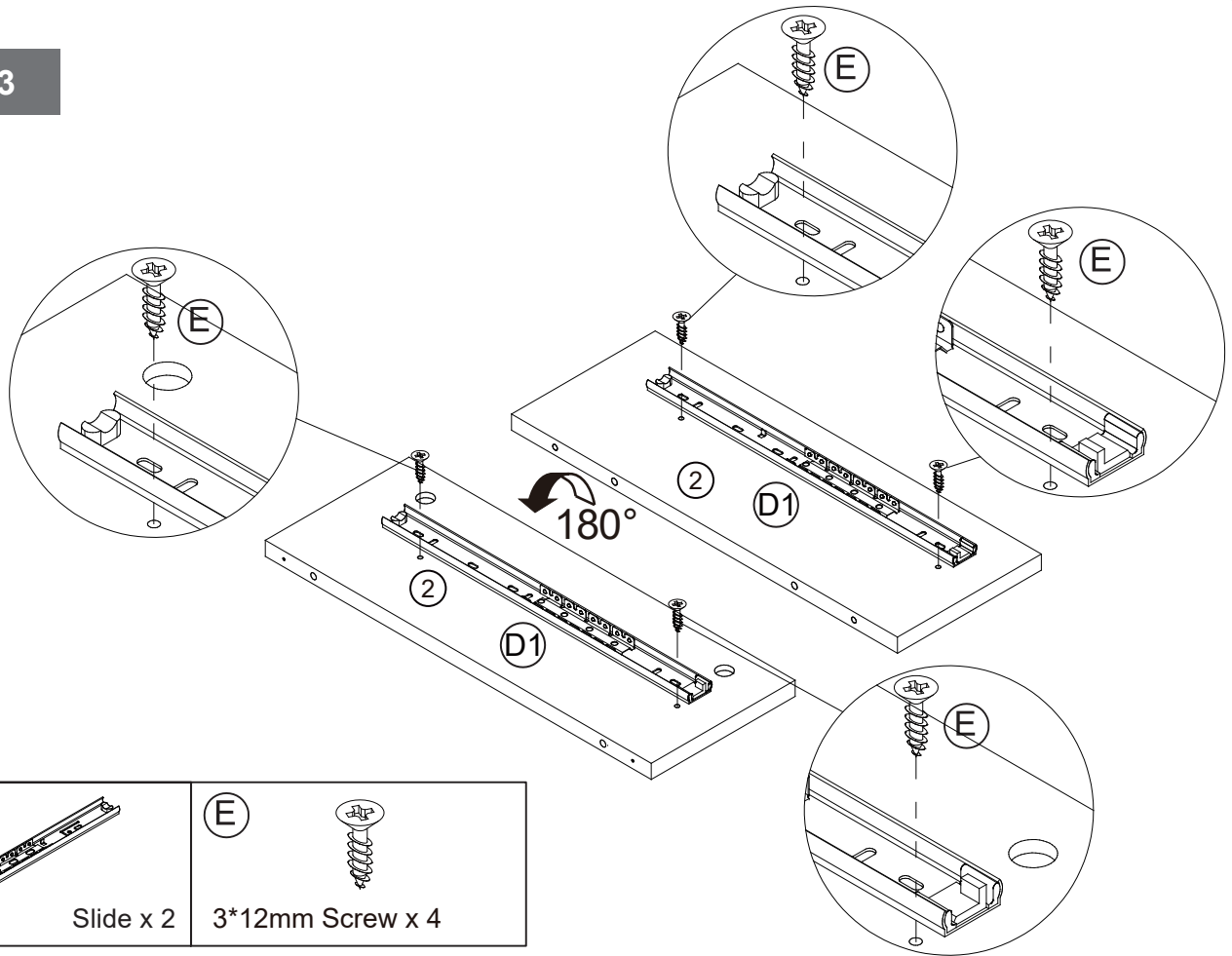


Step 2

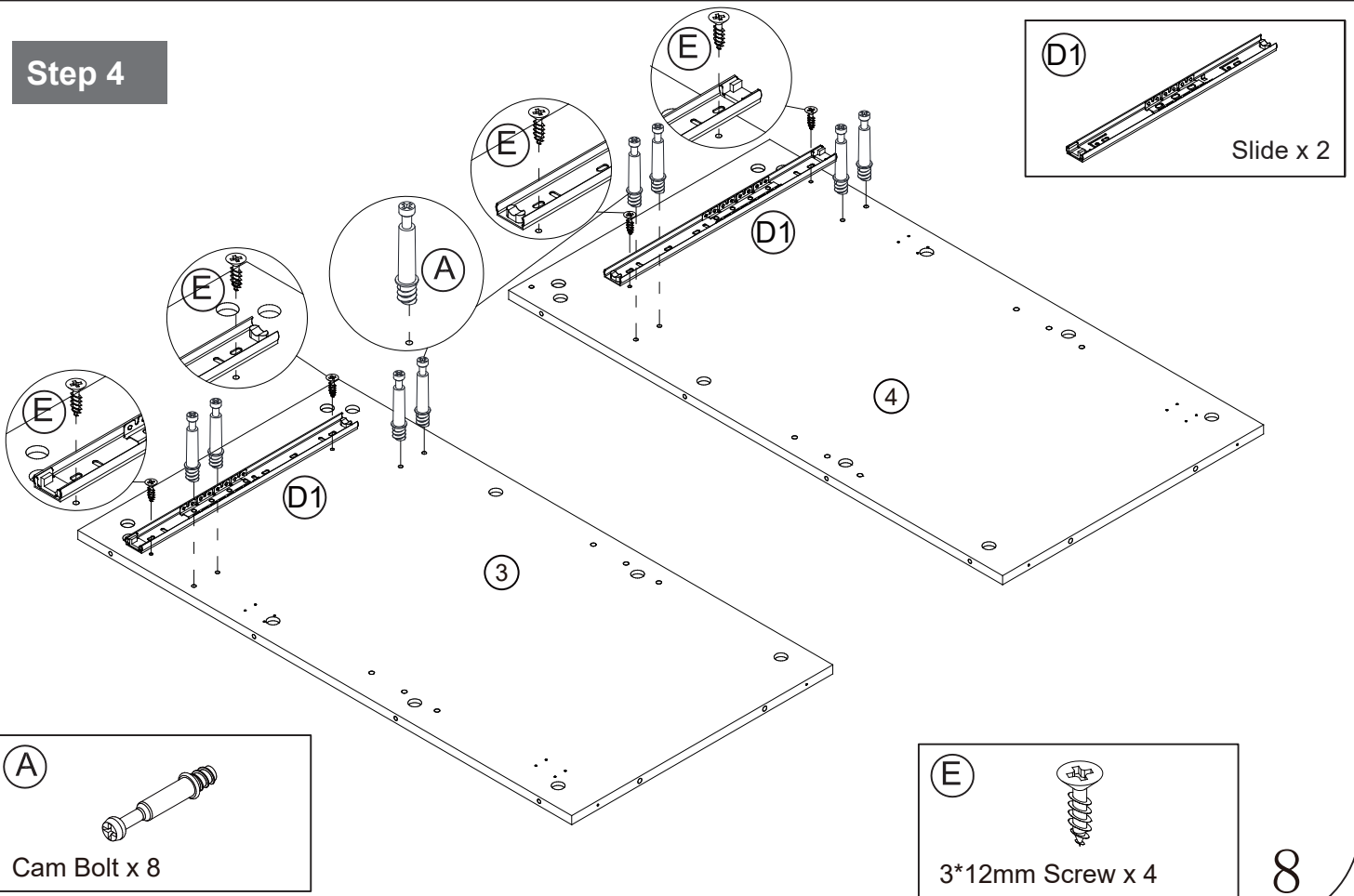


Assembly Instructions

Step 3

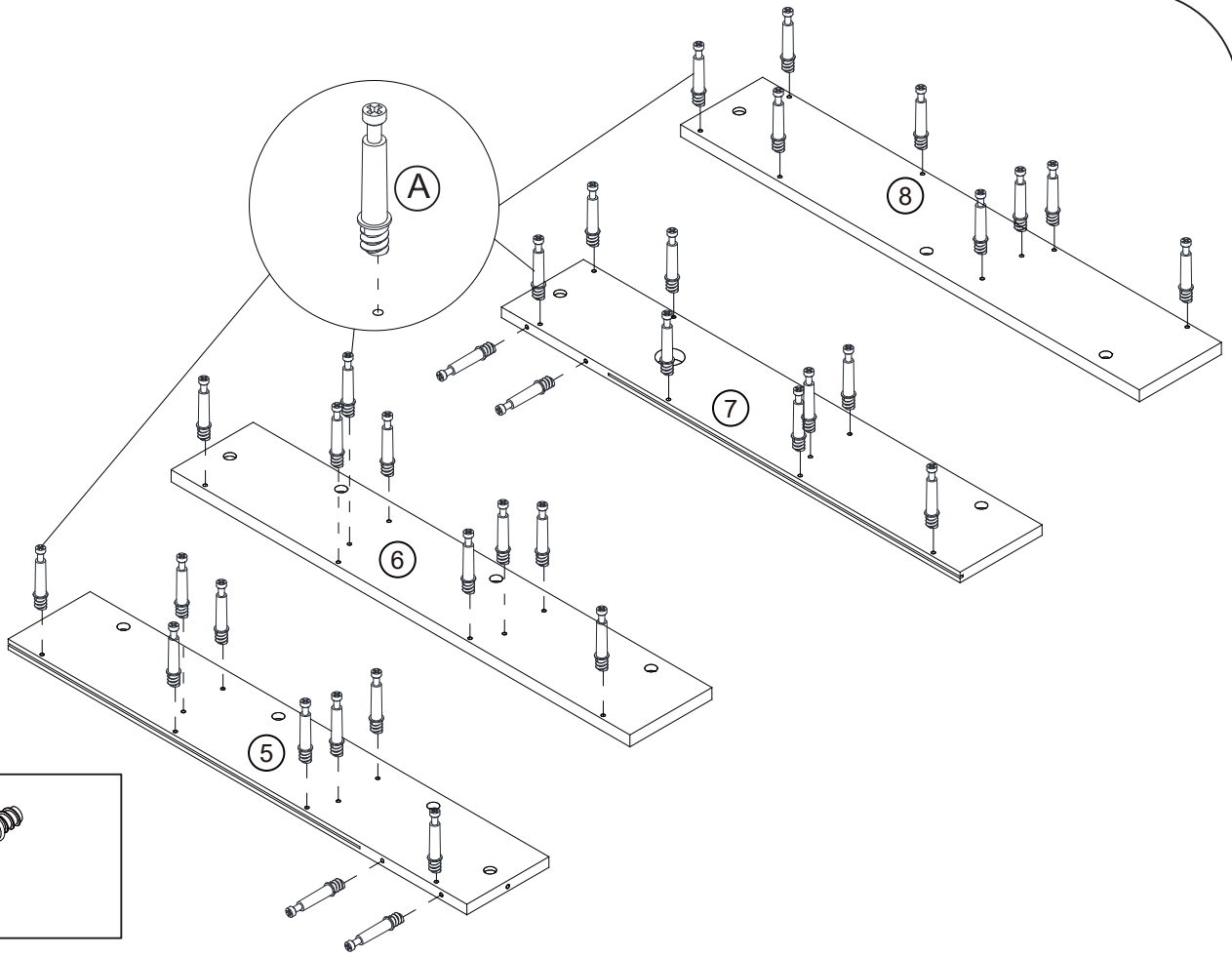


Step 4

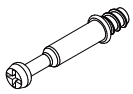


Assembly Instructions

Step 5

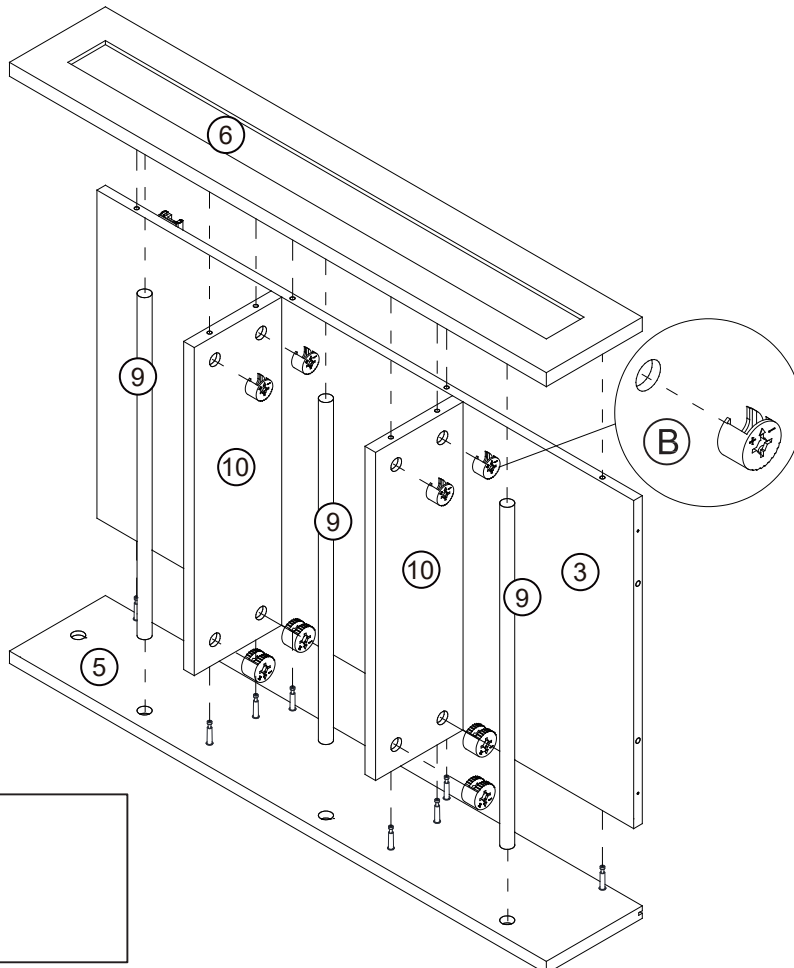


A



Cam Bolt x 36

Step 6



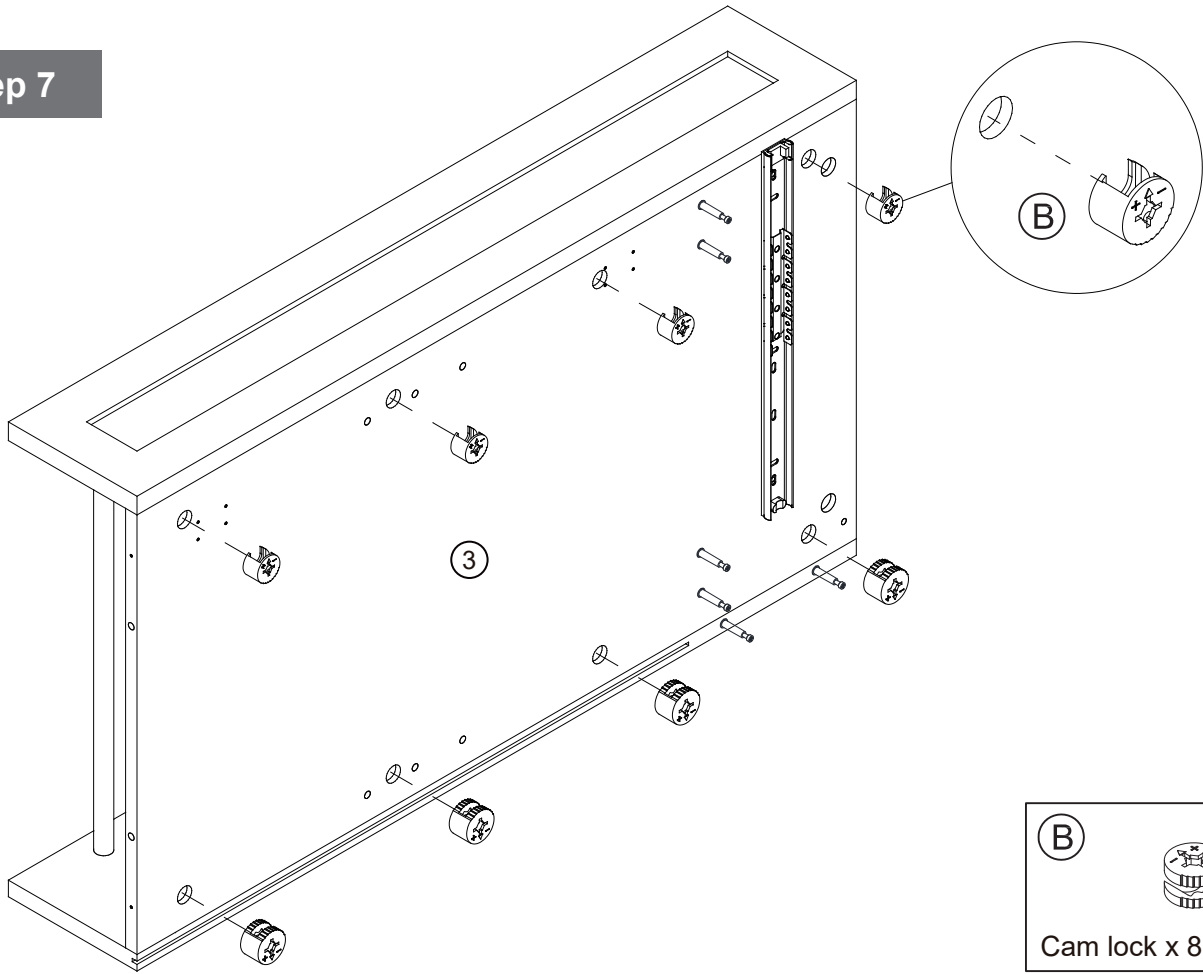
B



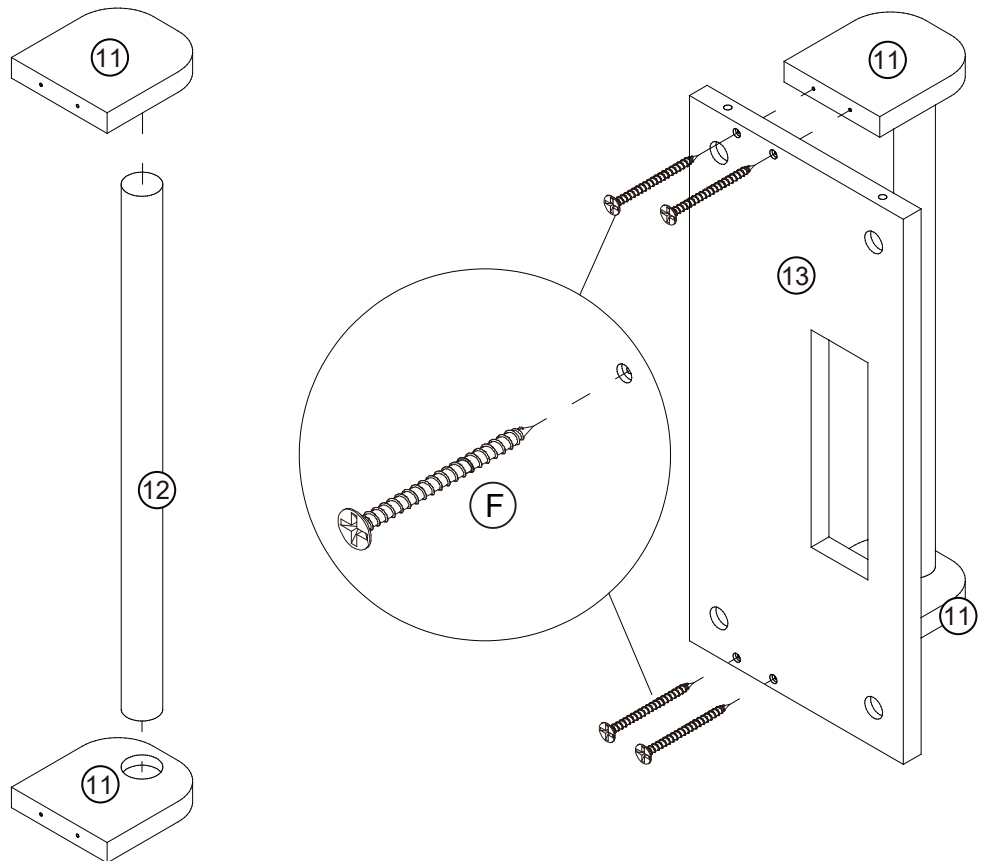
Cam lock x 8

Assembly Instructions

Step 7



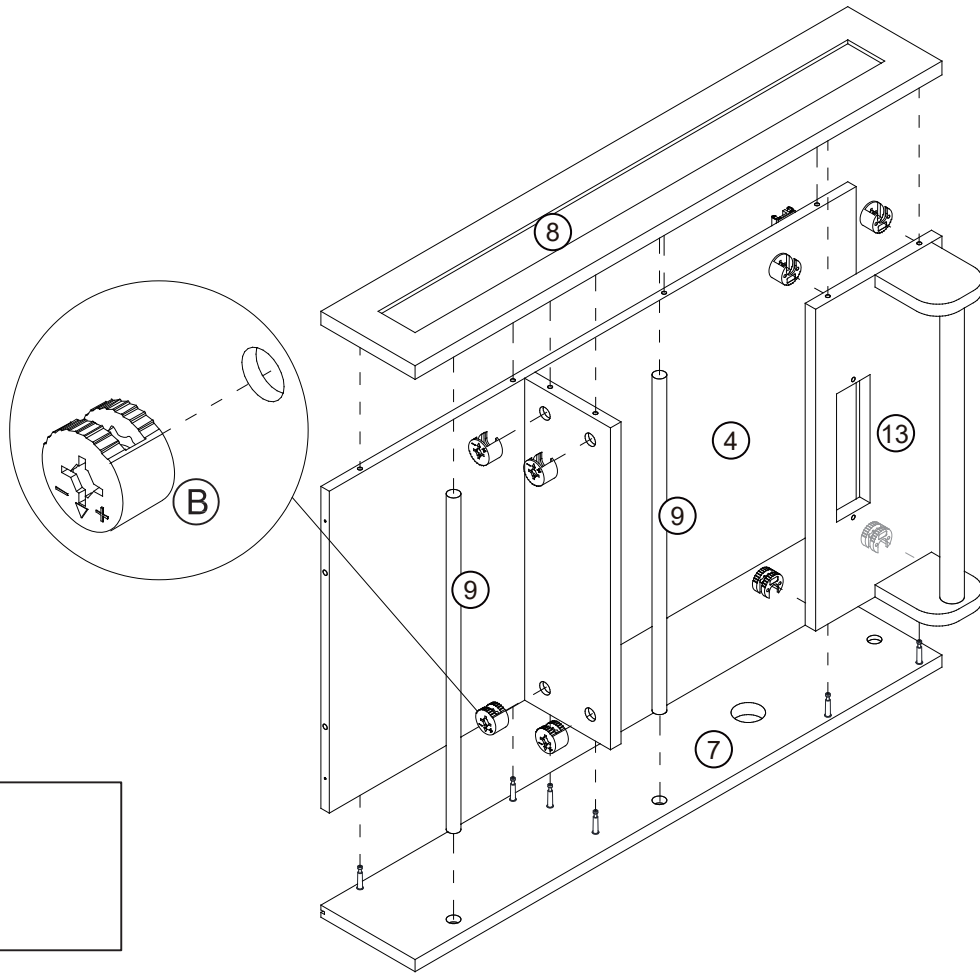
Step 8



(F)
4*40mm Screw x 4

Assembly Instructions

Step 9

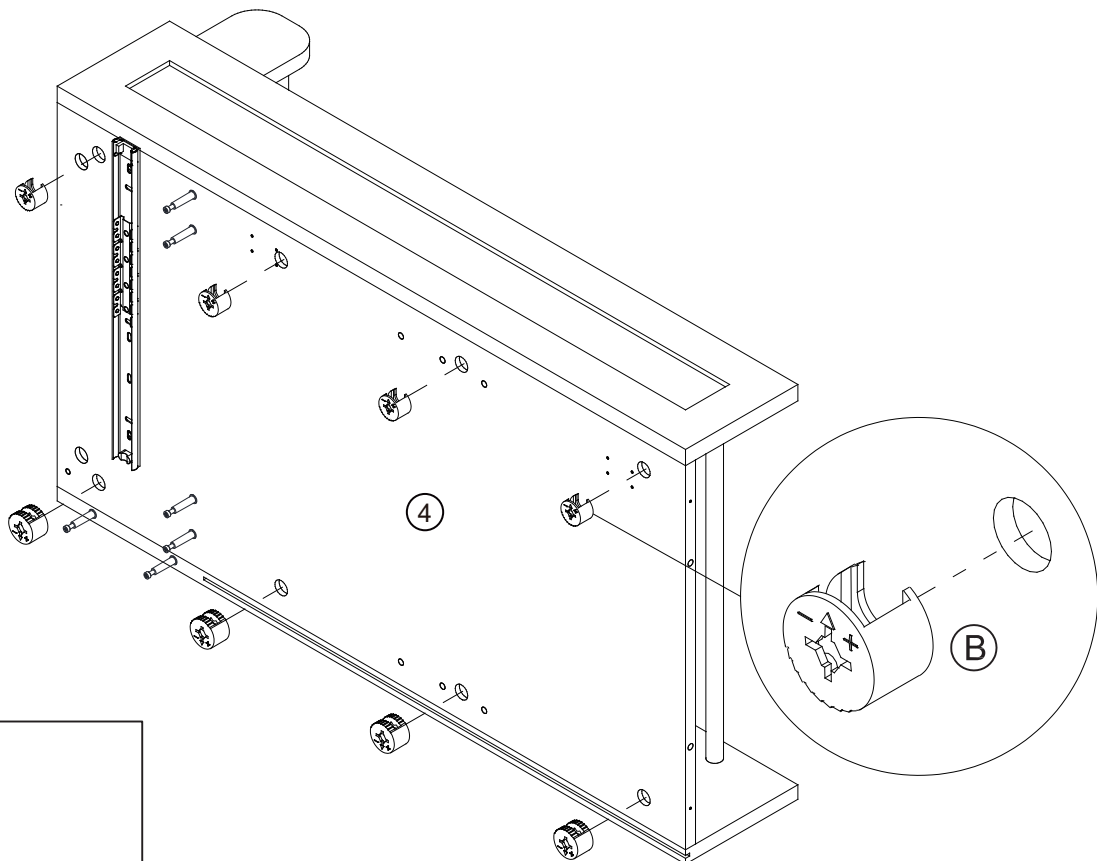


(B)



Cam lock x 8

Step 10



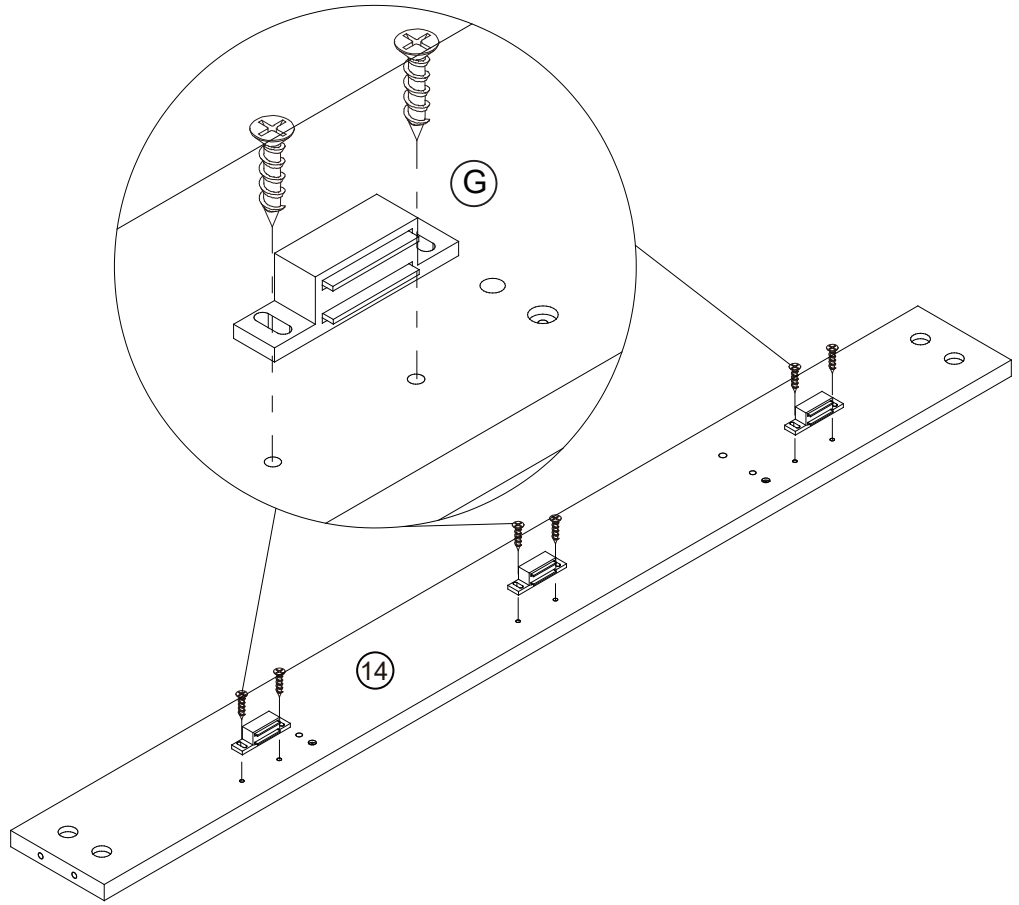
(B)



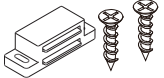
Cam lock x 8

Assembly Instructions

Step 11

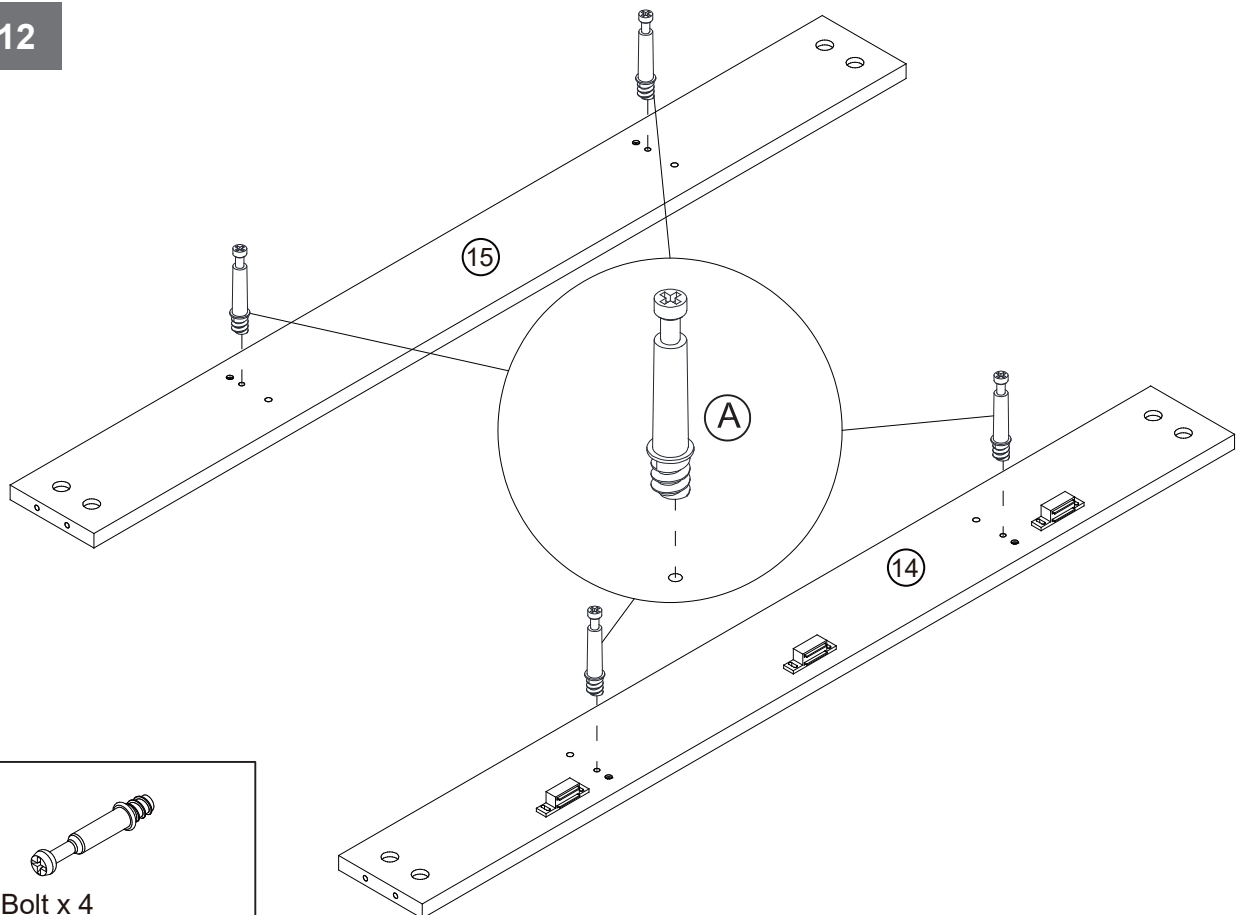


G

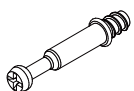


Magnetic impact x 3

Step 12



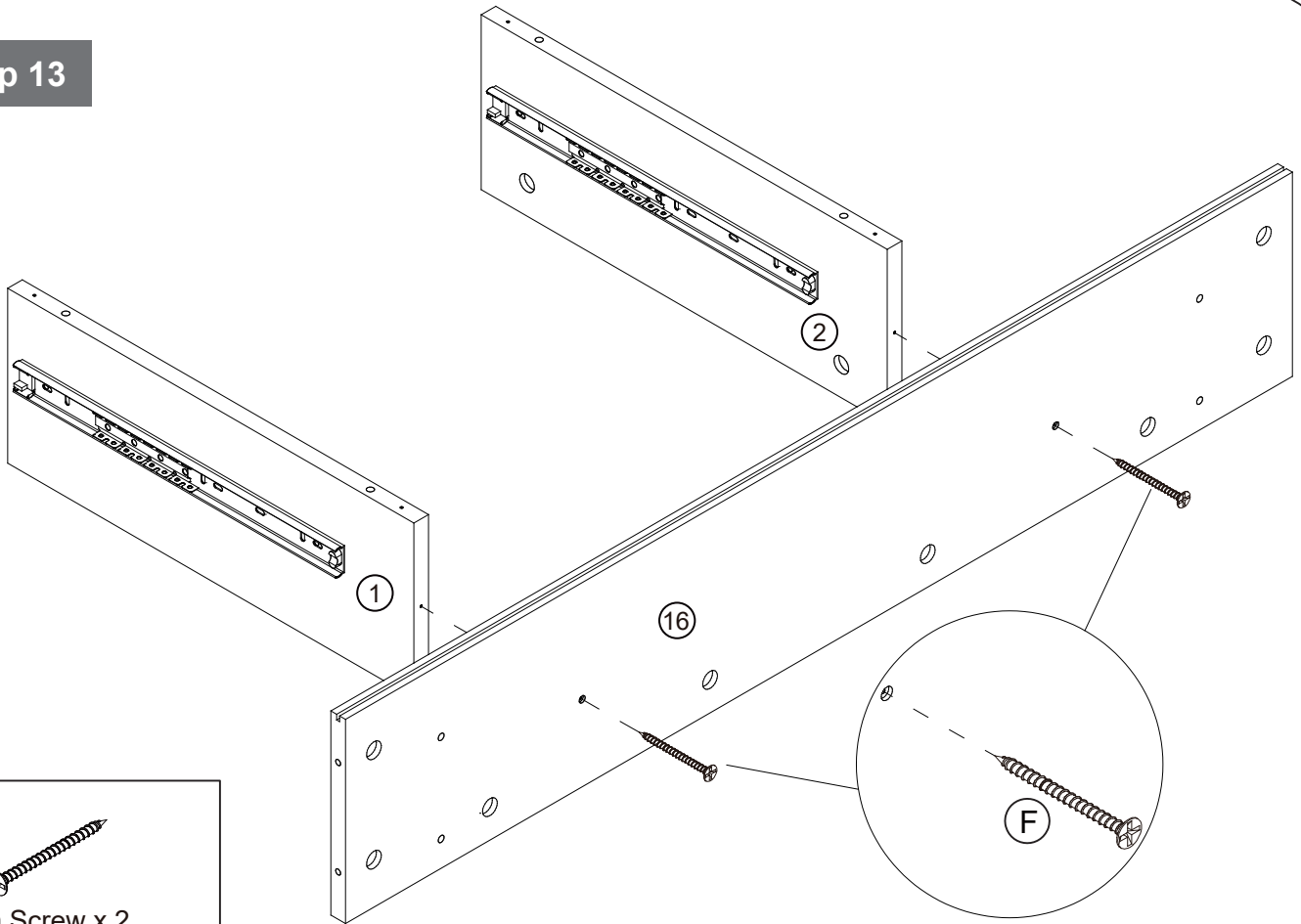
A



Cam Bolt x 4

Assembly Instructions

Step 13

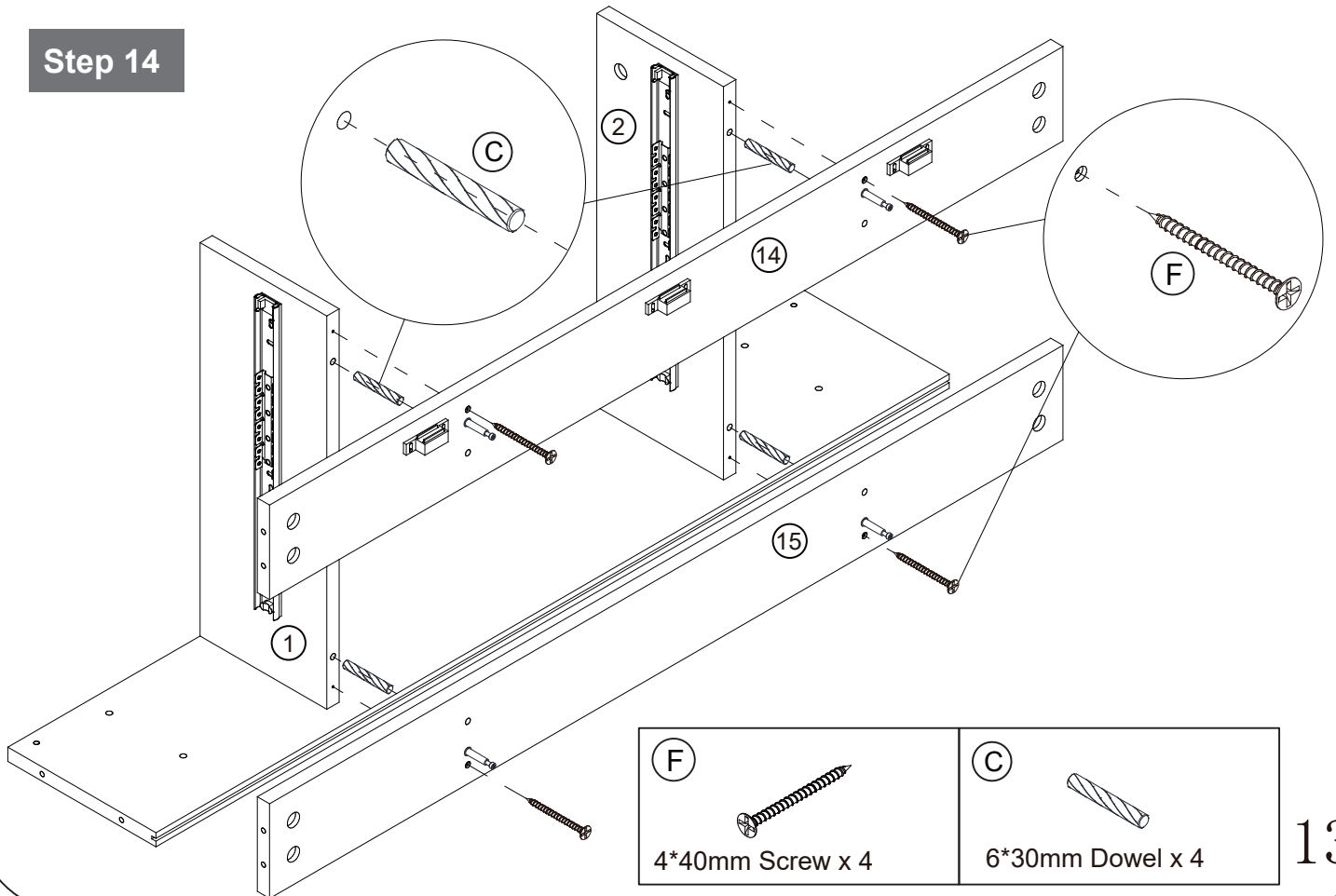


(F)



4*40mm Screw x 2

Step 14



(F)



4*40mm Screw x 4

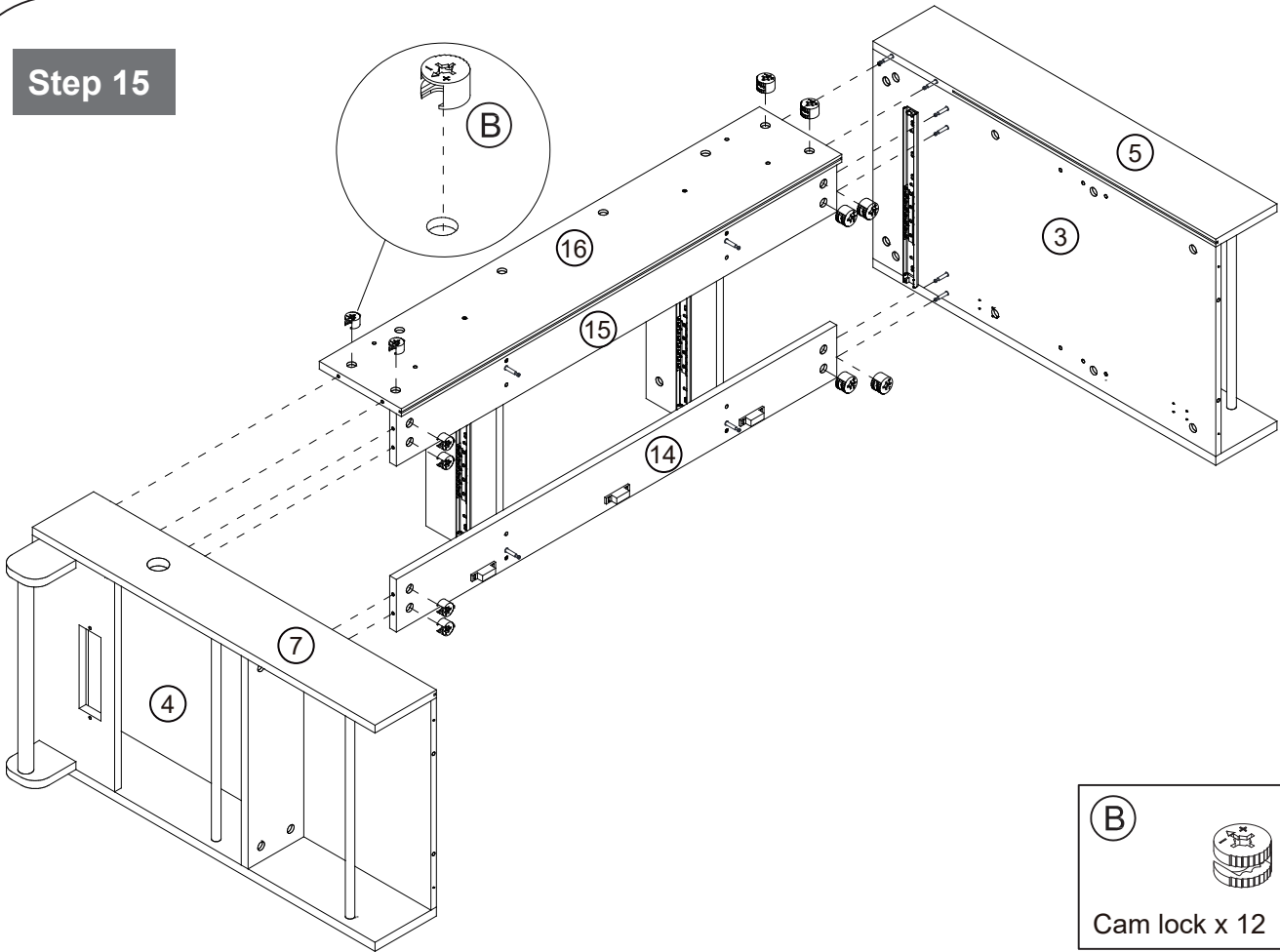
(C)



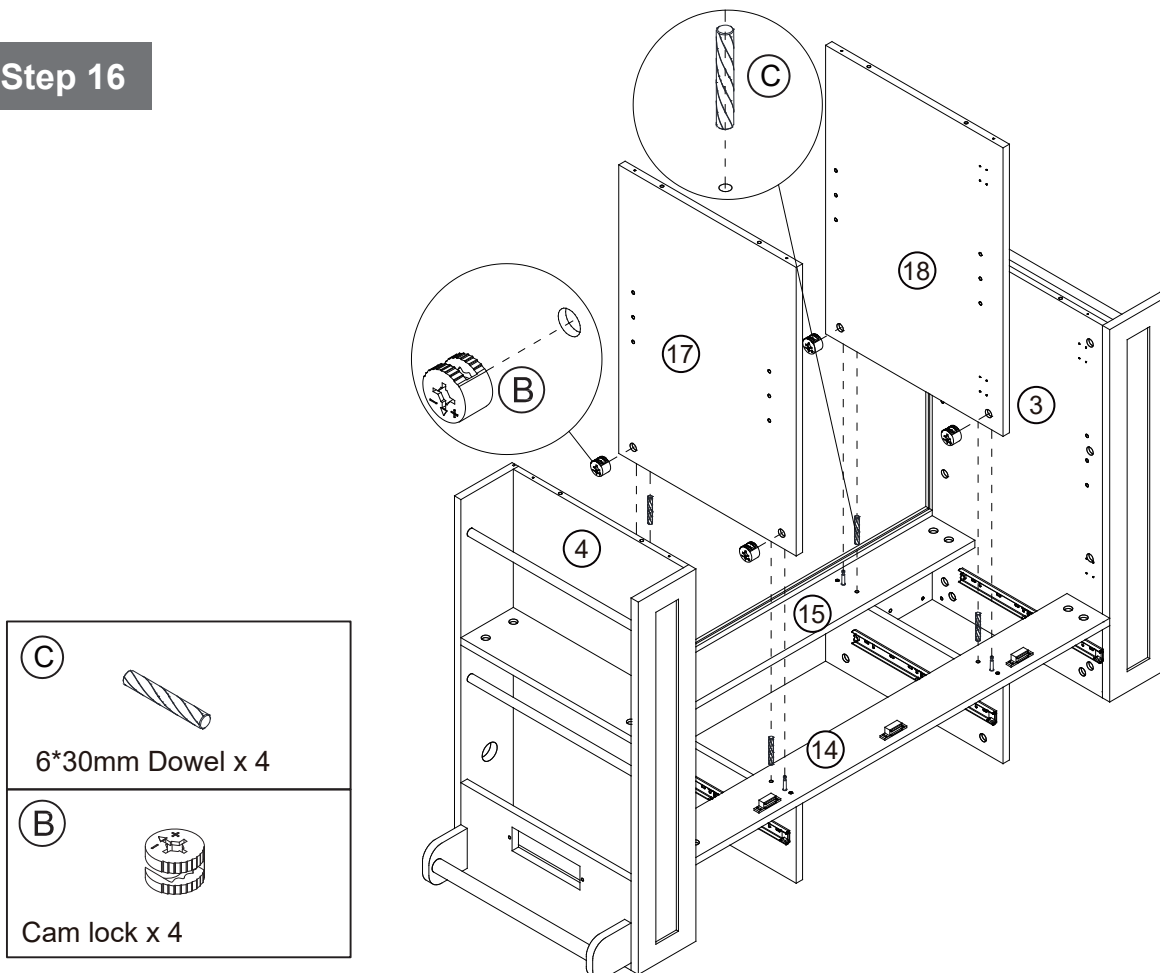
6*30mm Dowel x 4

Assembly Instructions

Step 15

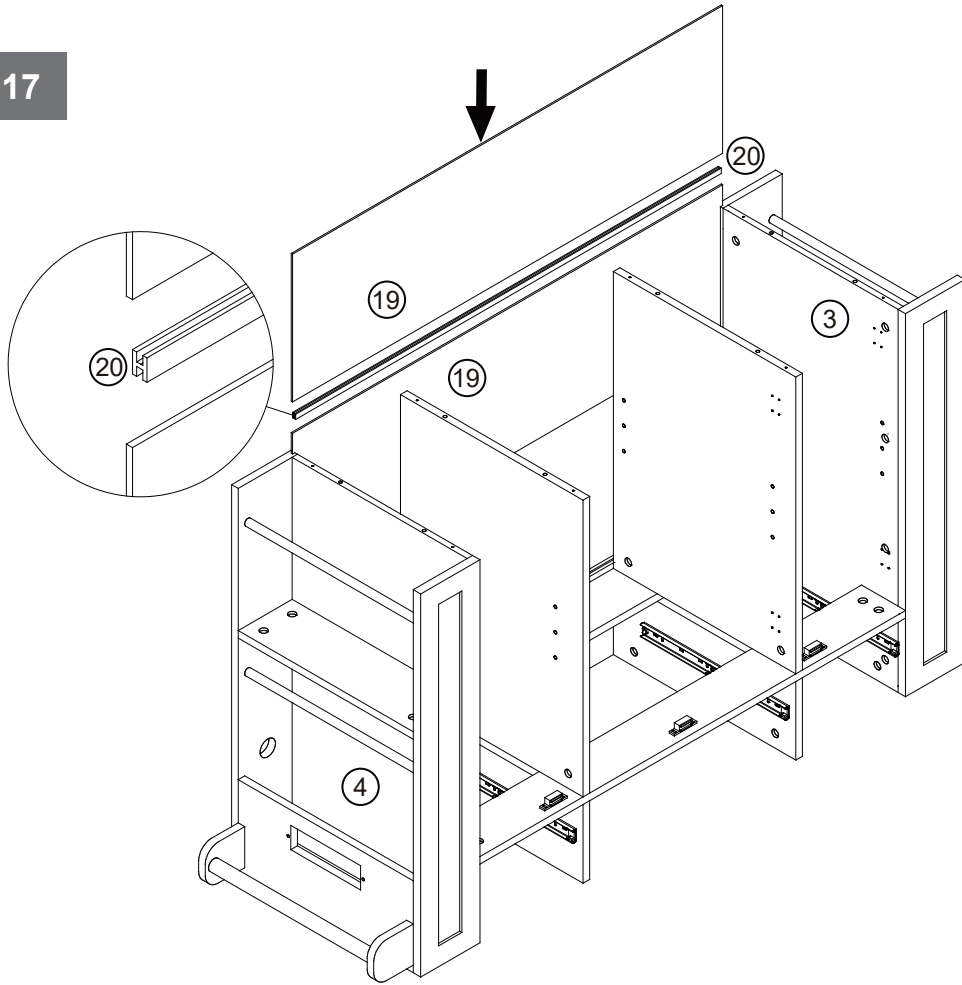


Step 16

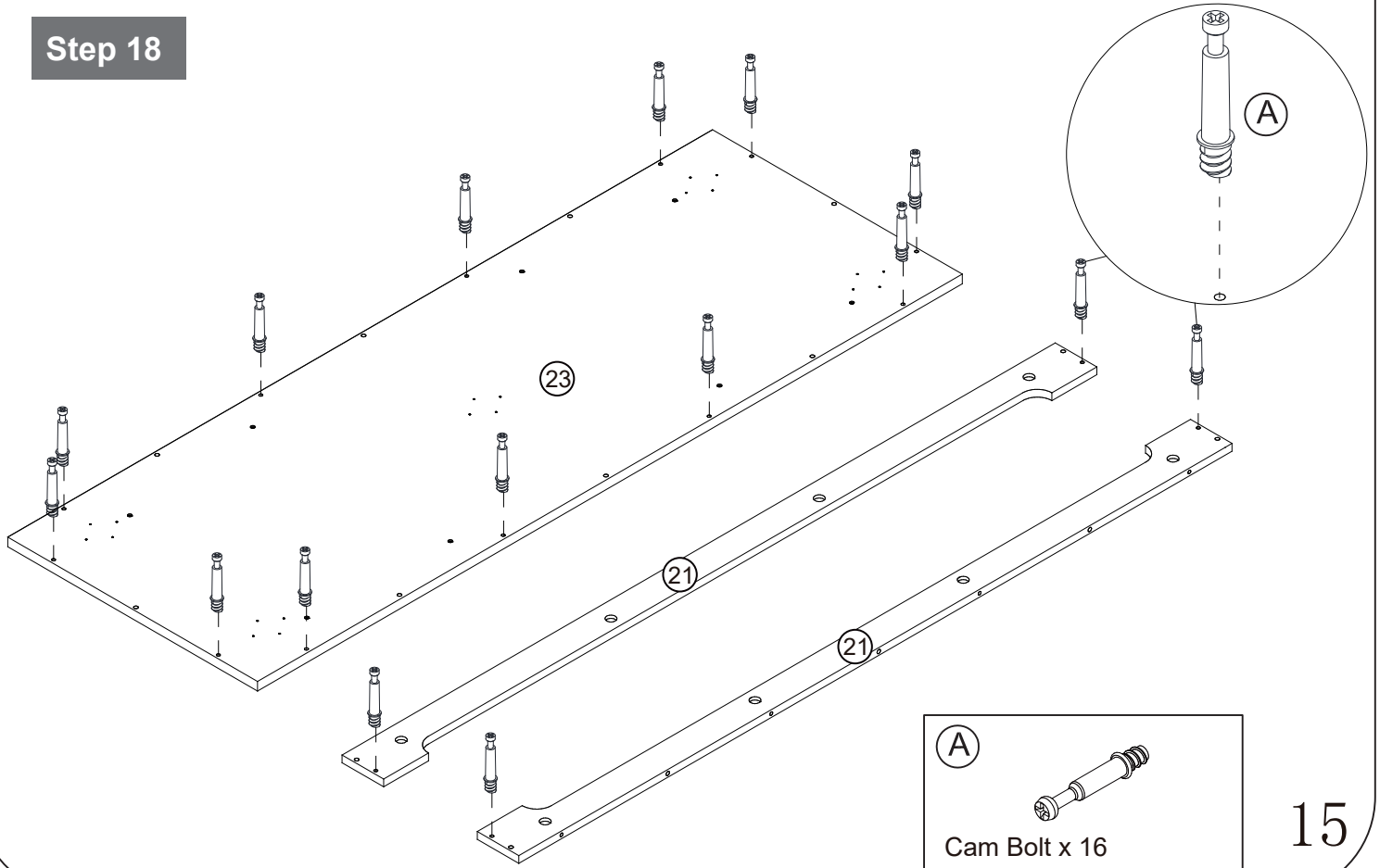


Assembly Instructions

Step 17

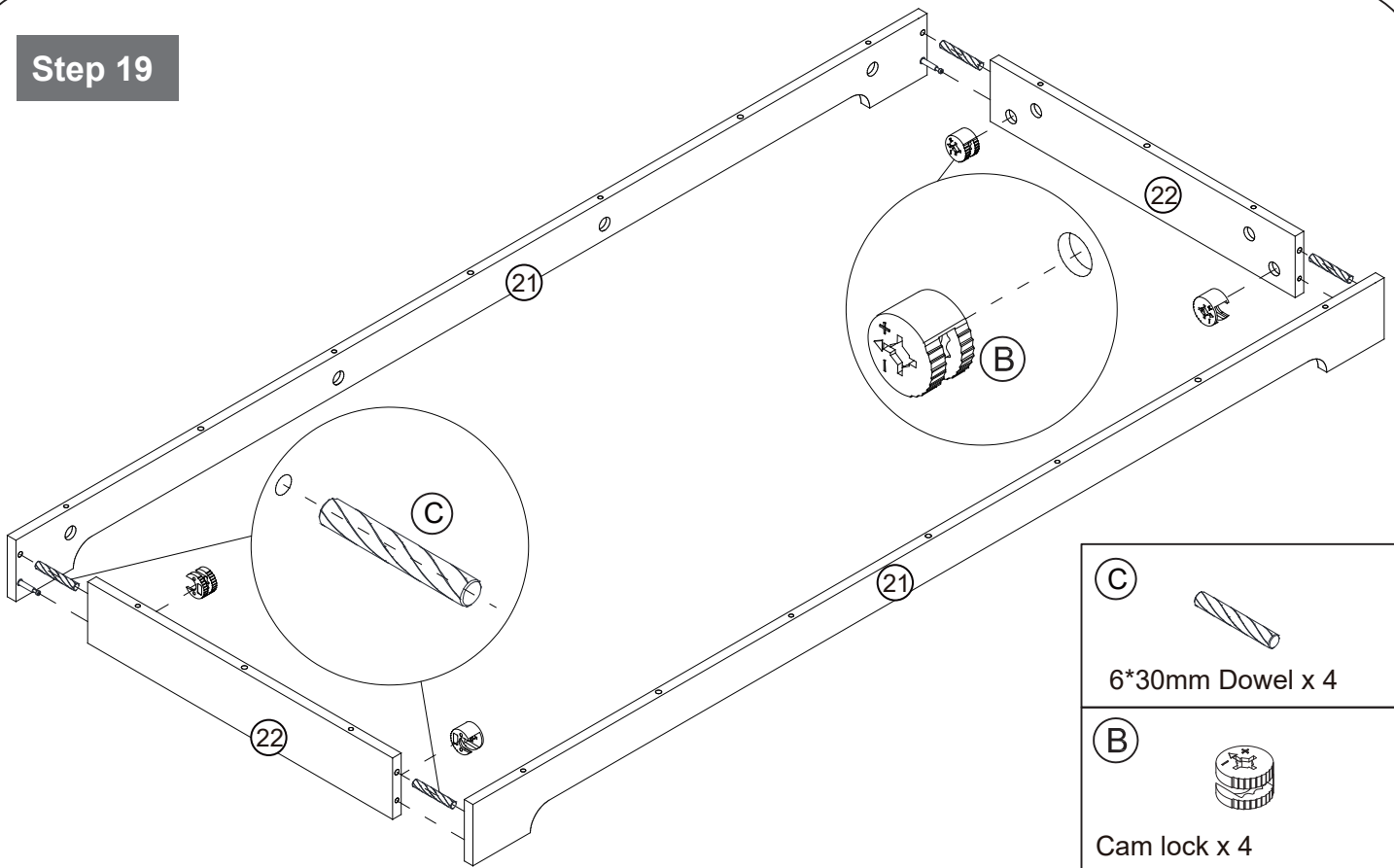


Step 18

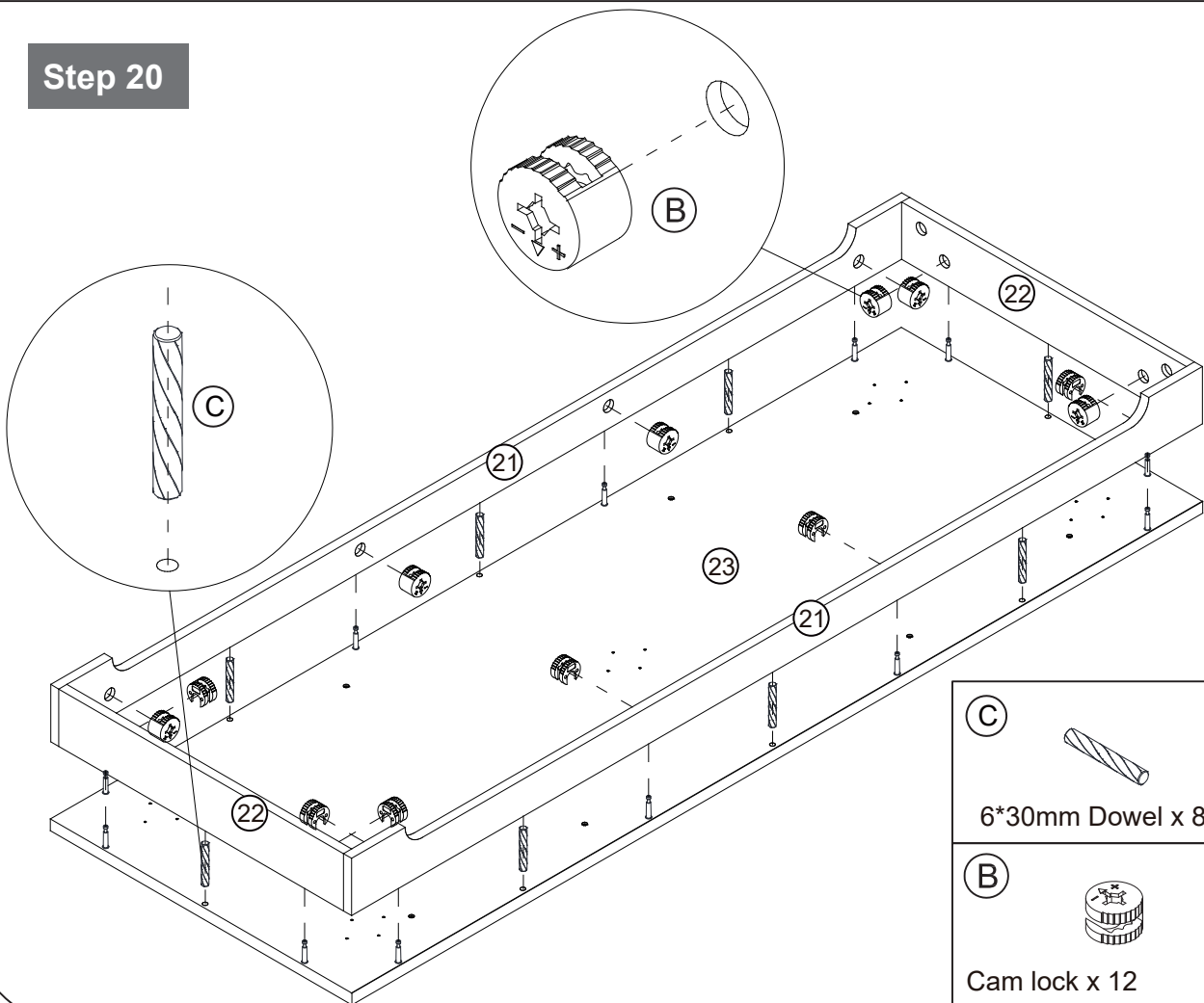


Assembly Instructions

Step 19

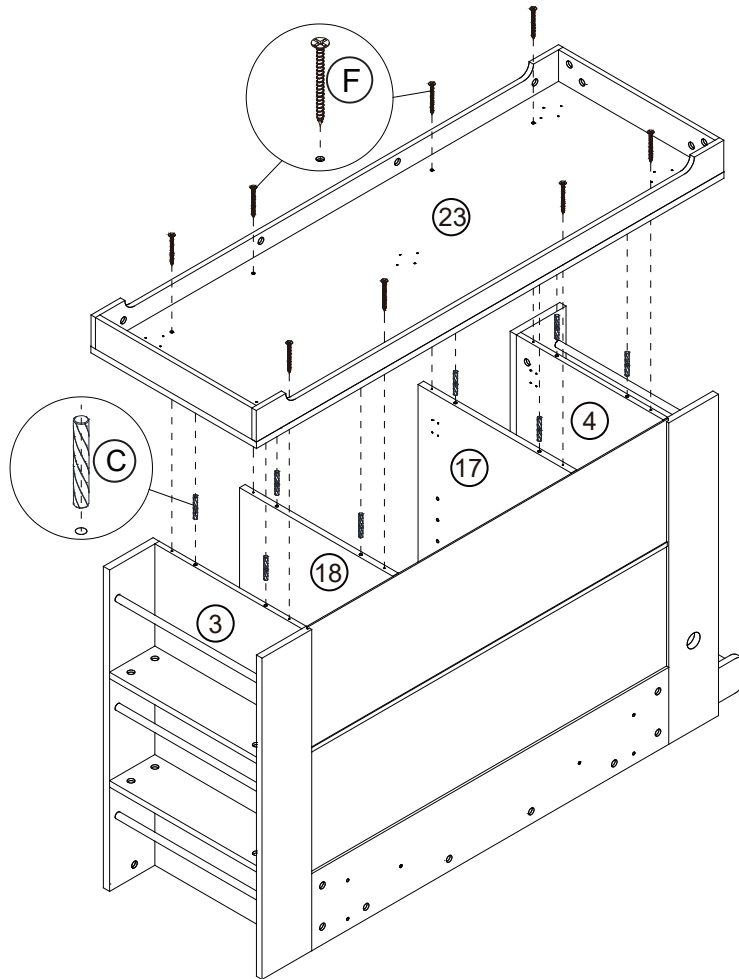


Step 20



Assembly Instructions

Step 21



F



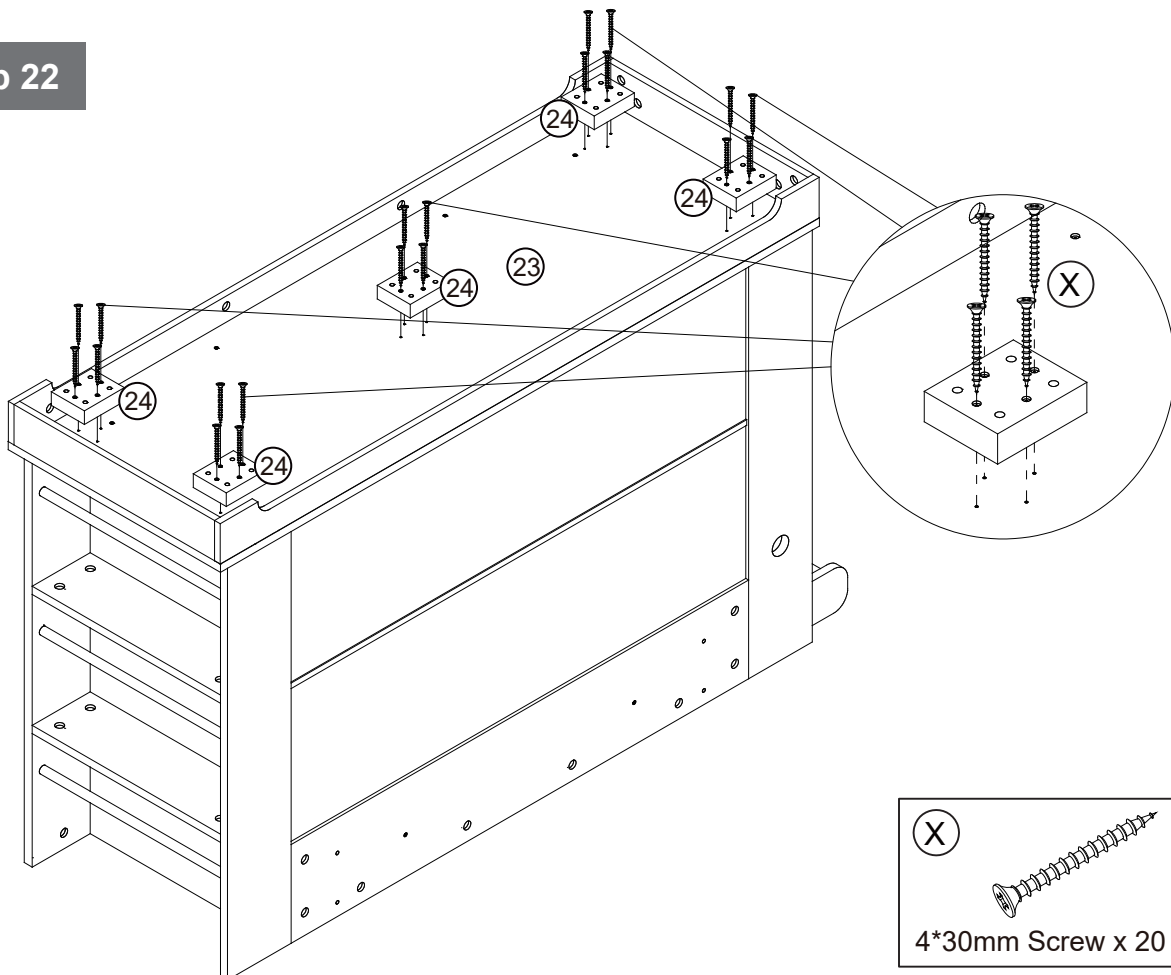
4*40mm Screw x 8

C

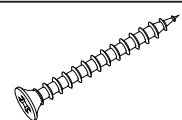


6*30mm Dowel x 8

Step 22



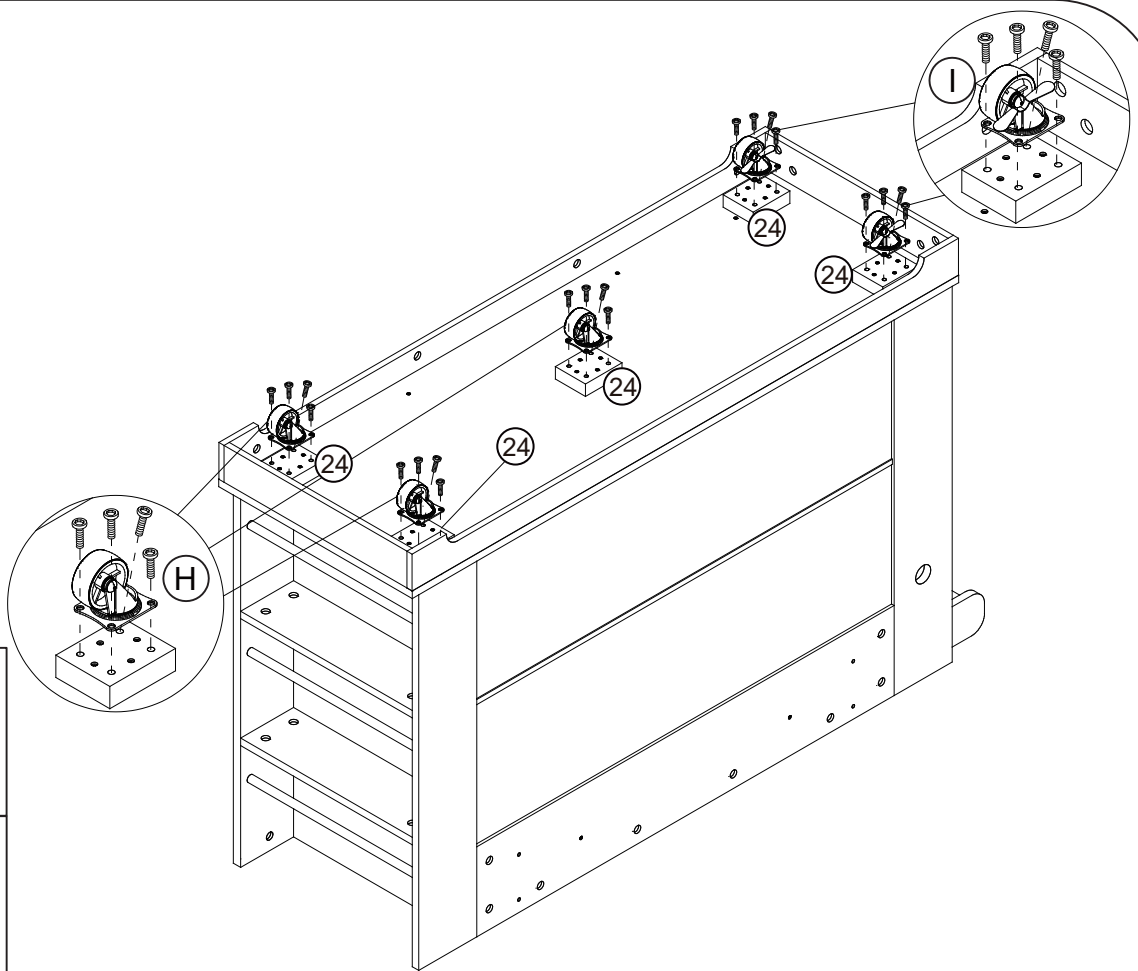
X



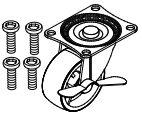
4*30mm Screw x 20

Assembly Instructions

Step 23



I



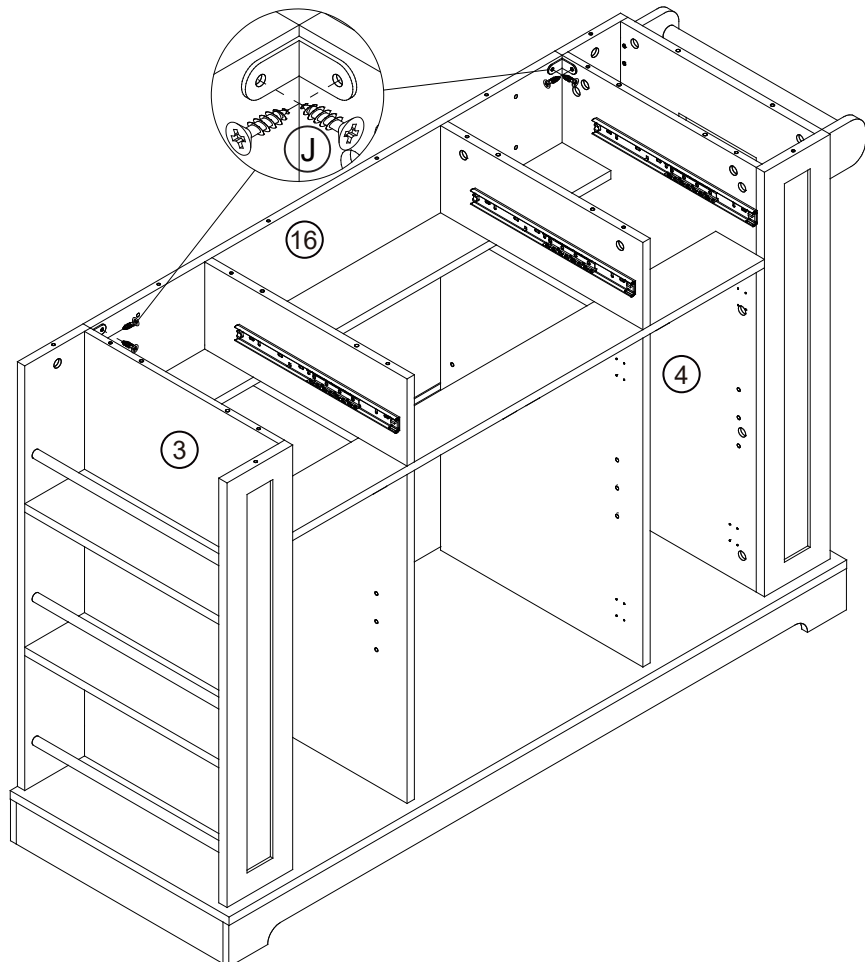
Locking caster x 2

H

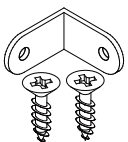


Caster x 3

Step 24



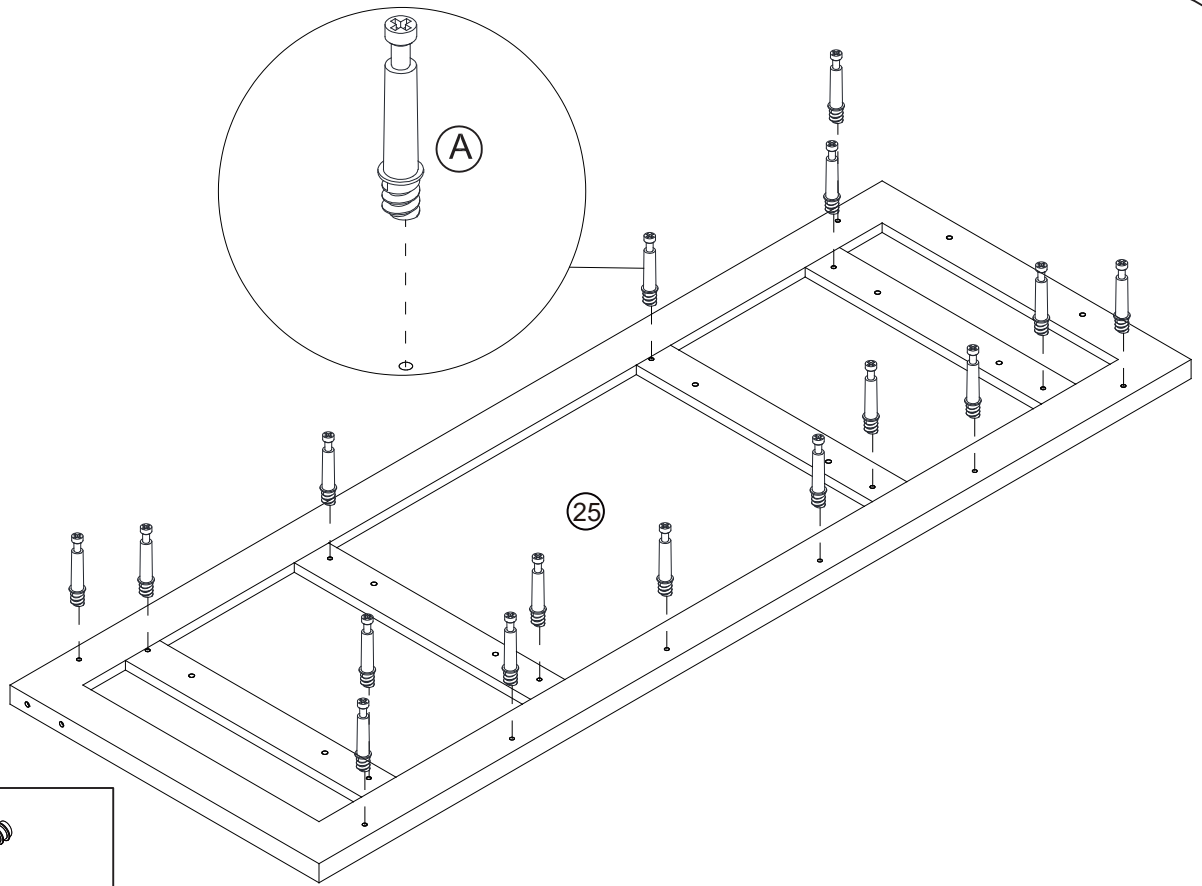
J



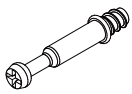
x 2

Assembly Instructions

Step 25

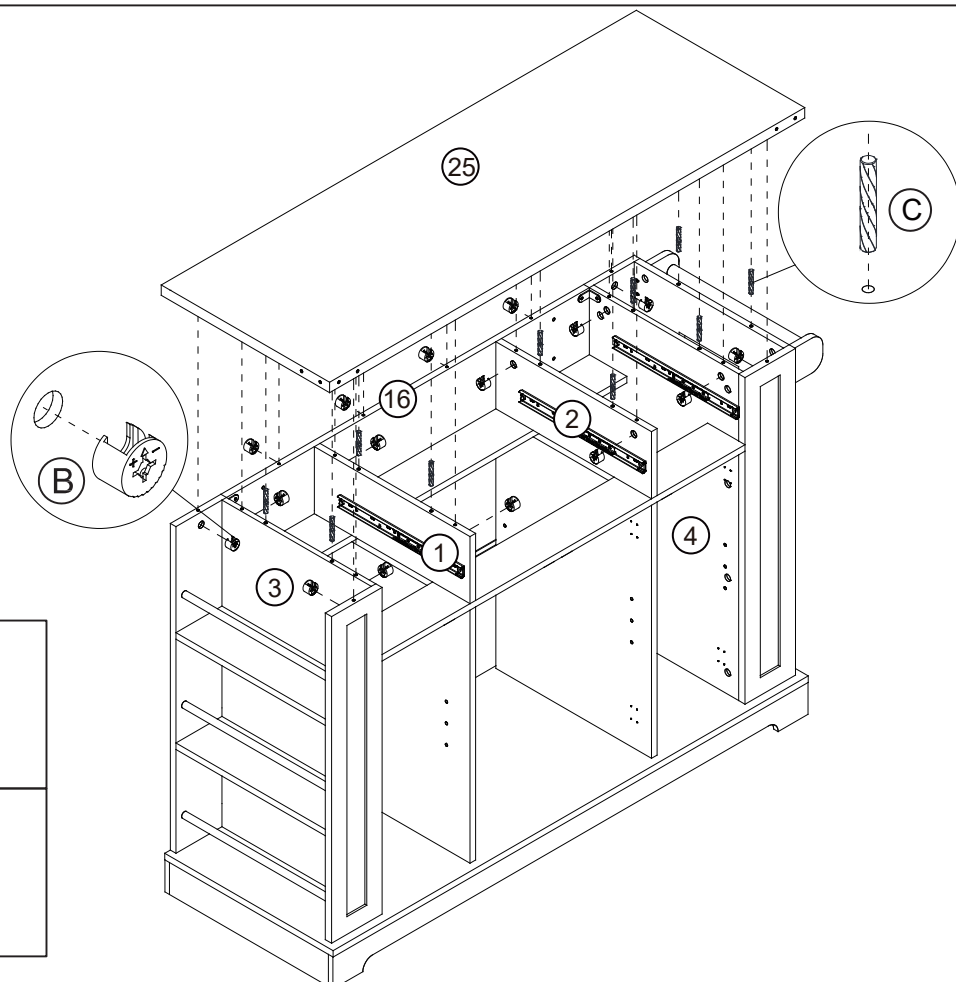


A



Cam Bolt x 16

Step 26



C



6*30mm Dowel x 10

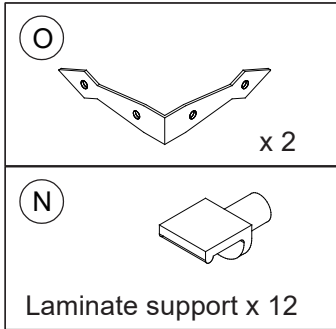
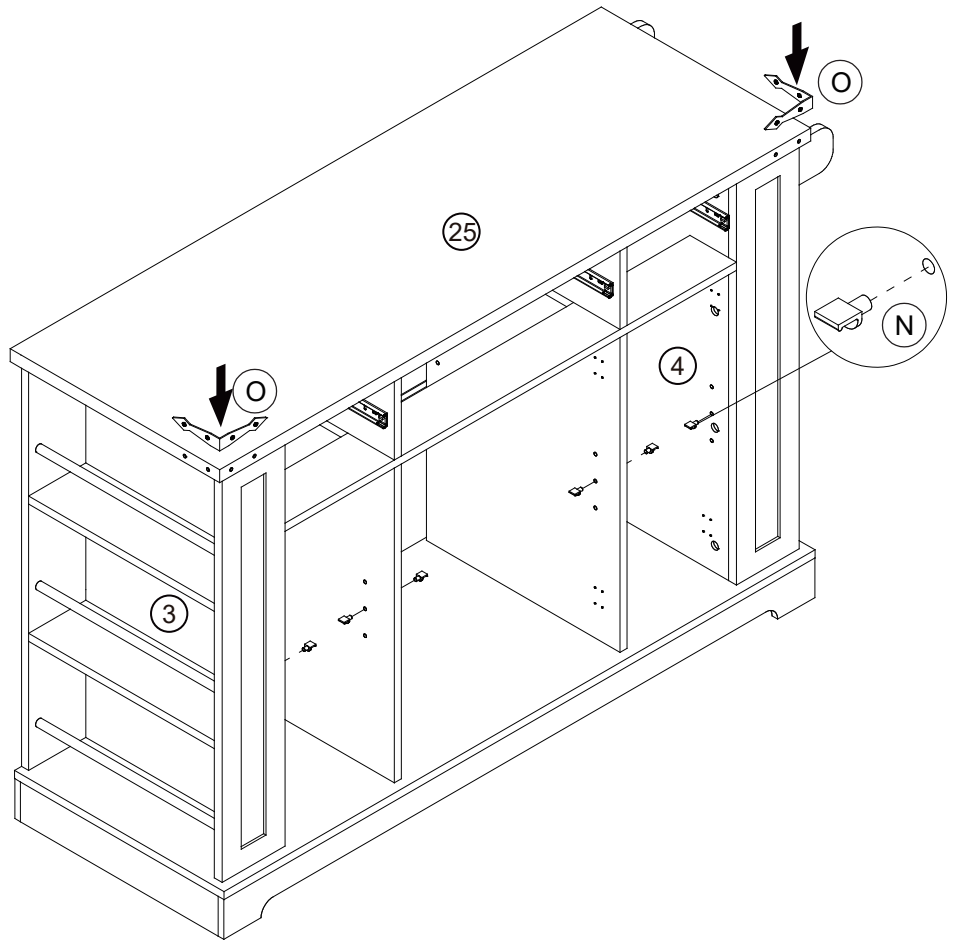
B



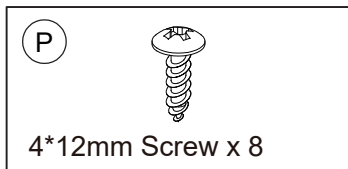
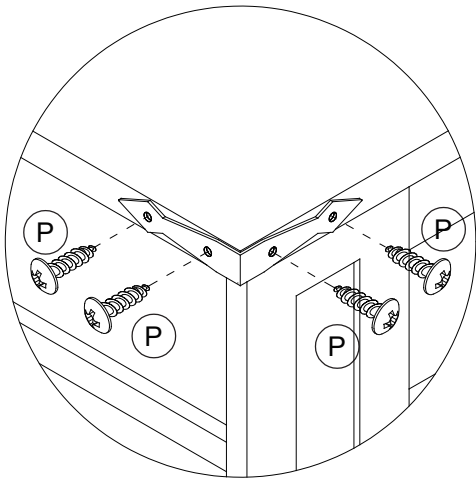
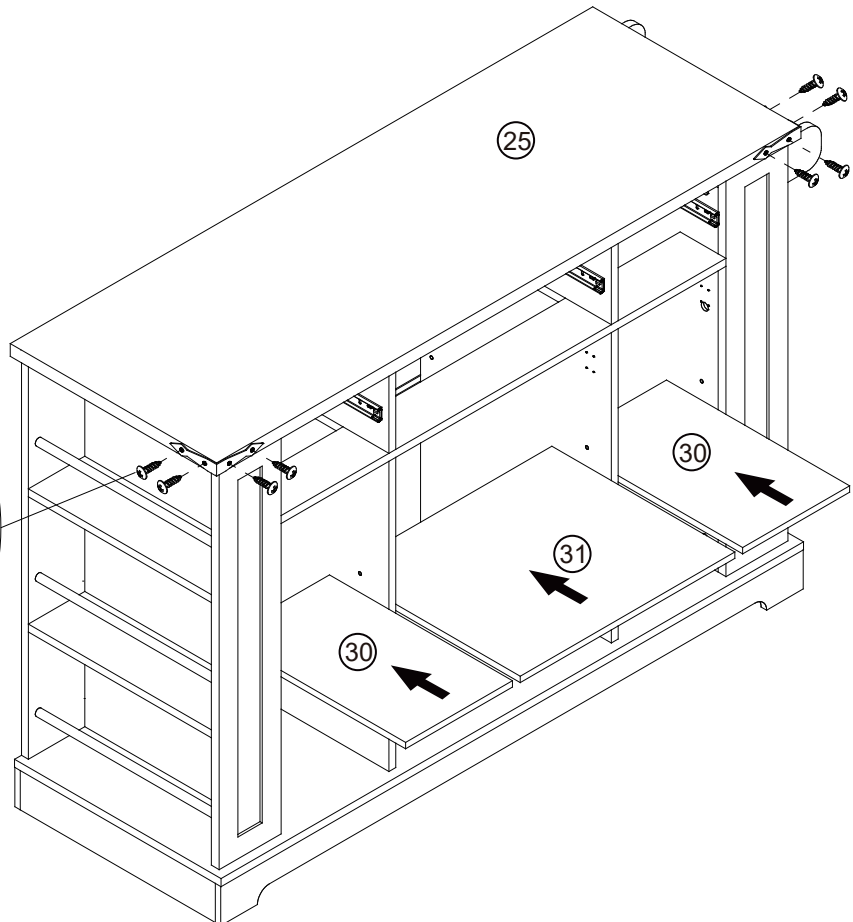
Cam lock x 16

Assembly Instructions

Step 27

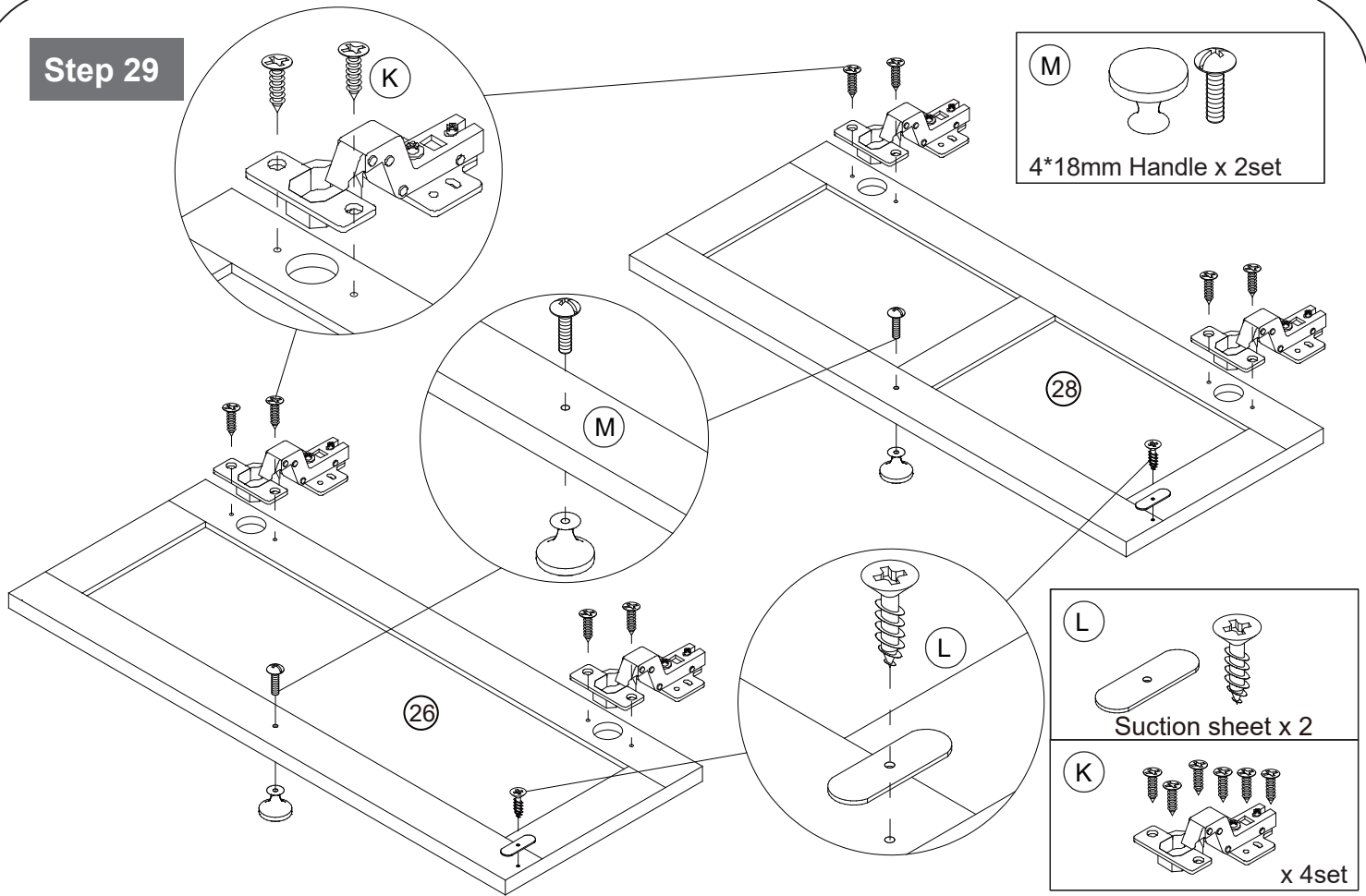


Step 28

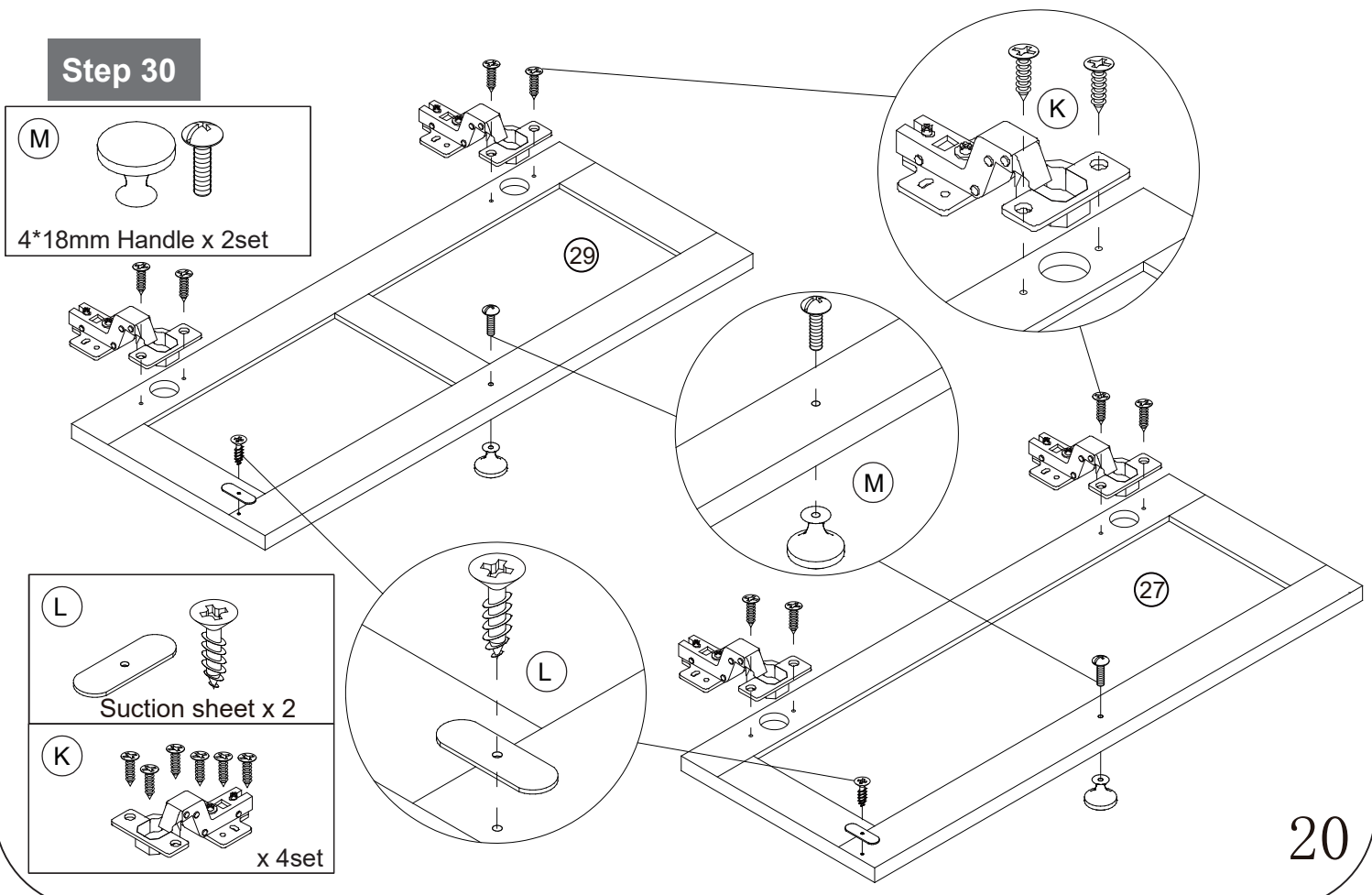


Assembly Instructions

Step 29

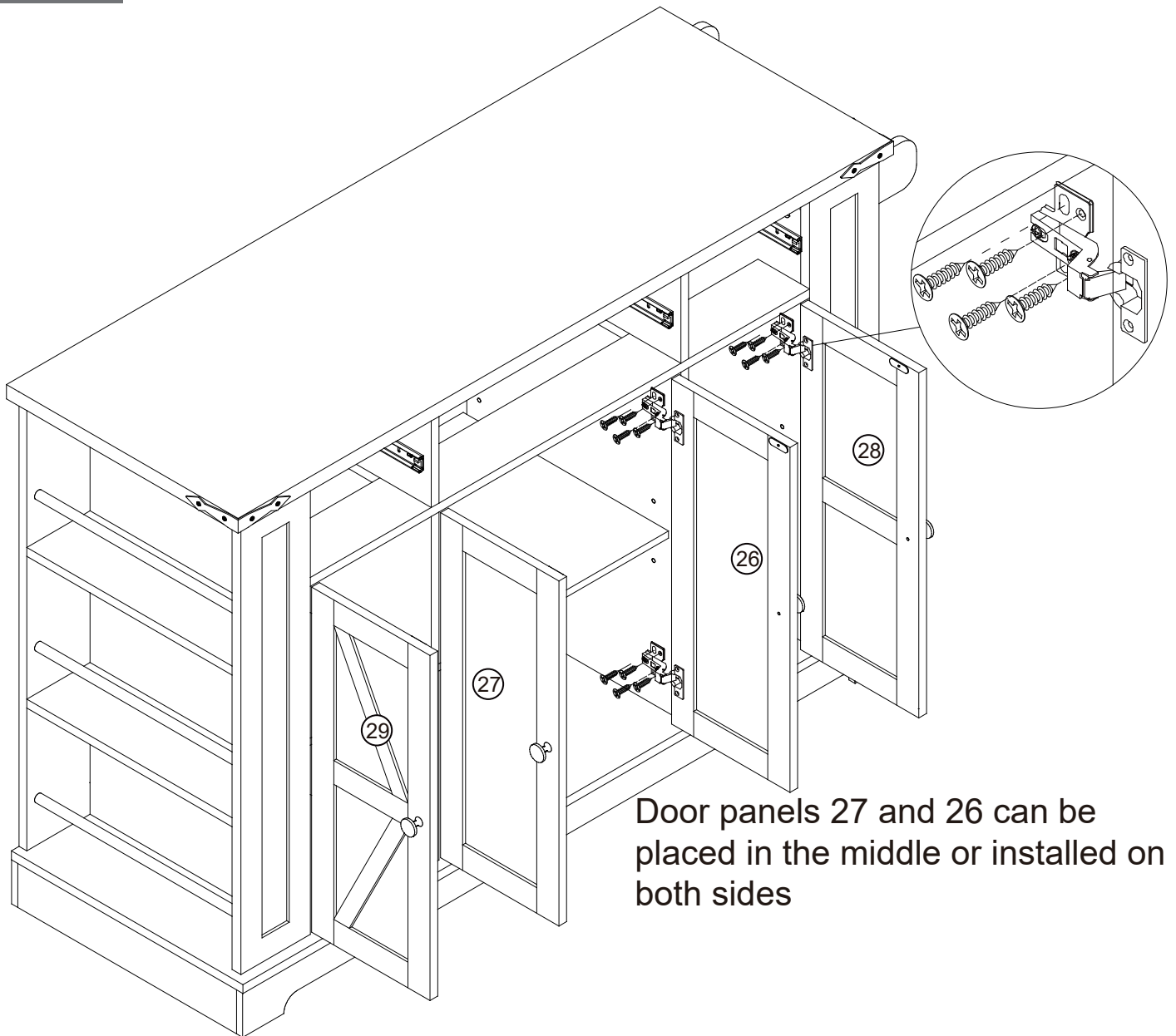


Step 30

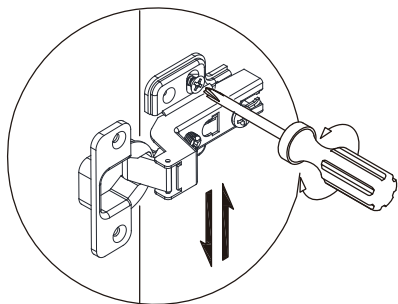


Assembly Instructions

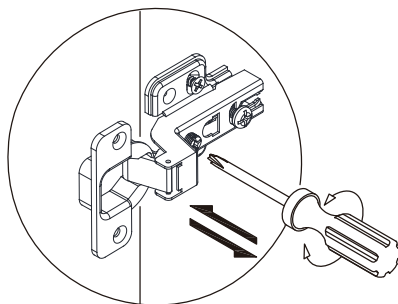
Step 31



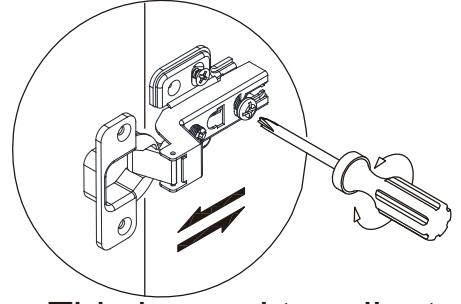
If the door can't close, please adjust the hinges as below.



This is used to adjust the door panel in the up and down direction.



This is used to adjust the door panel in the left and right direction.

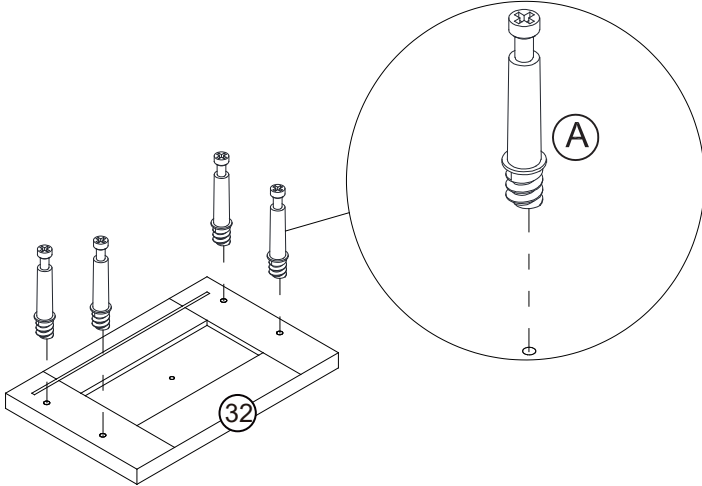


This is used to adjust the door panel in the front and rear.

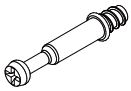
Assembly Instructions

Step 32

x2

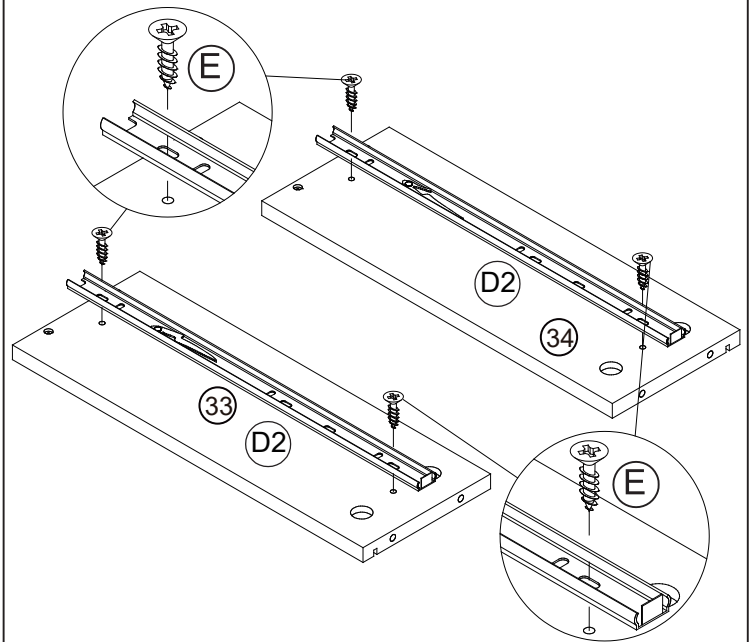


(A)



Cam Bolt x 8

x3

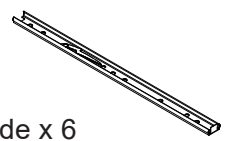


(E)



3*12mm Screw x 12

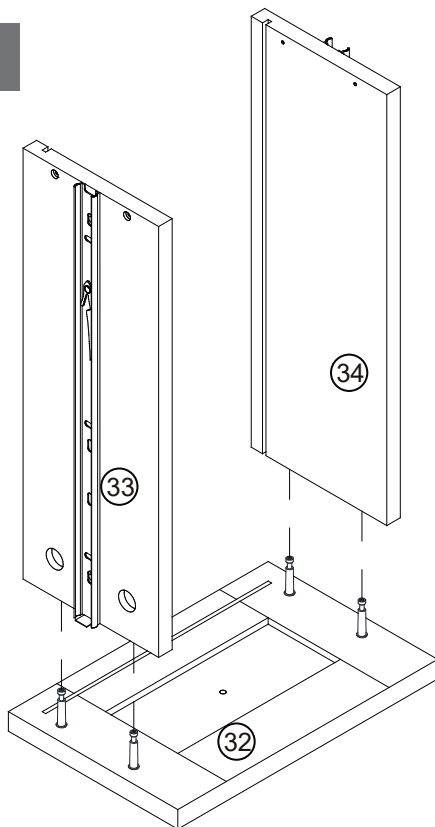
(D2)



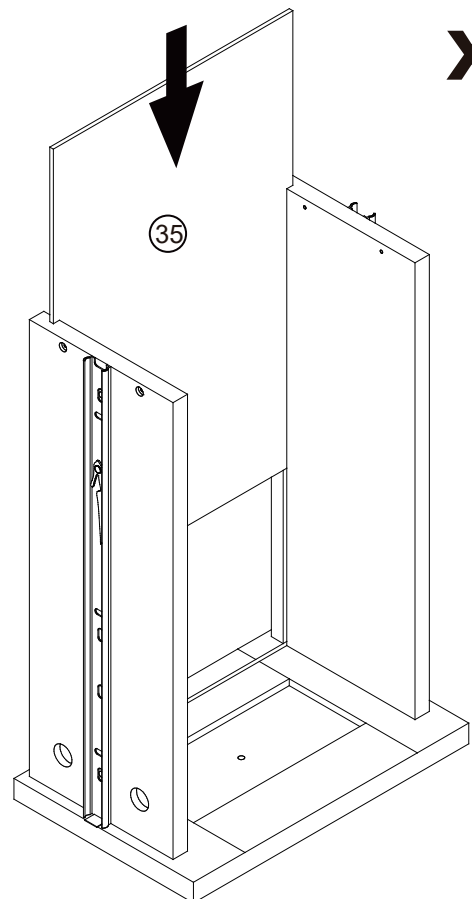
Slide x 6

Step 33

x2



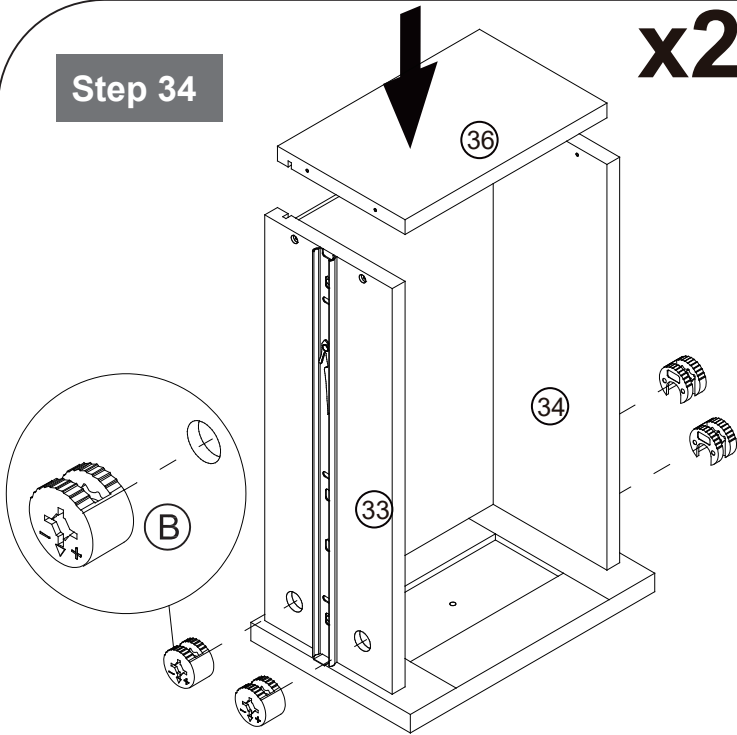
x2



Assembly Instructions

Step 34

x2

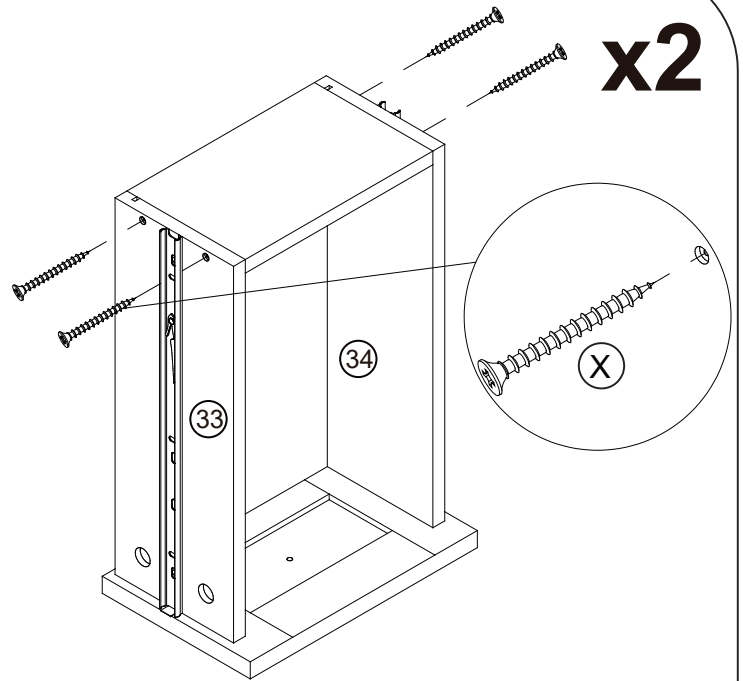


B

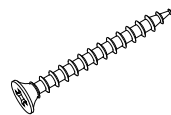


Cam lock x 8

x2



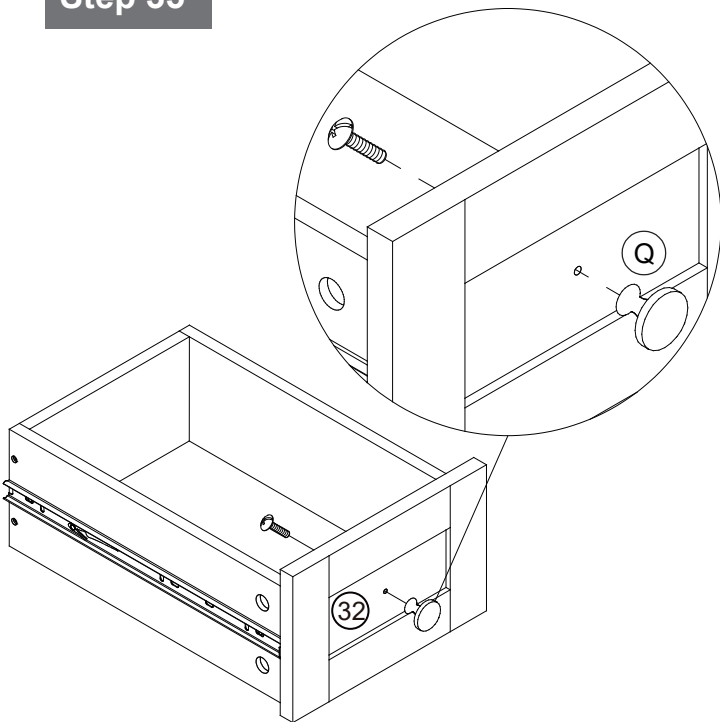
X



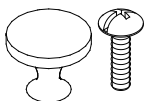
4*30mm Screw x 8

Step 35

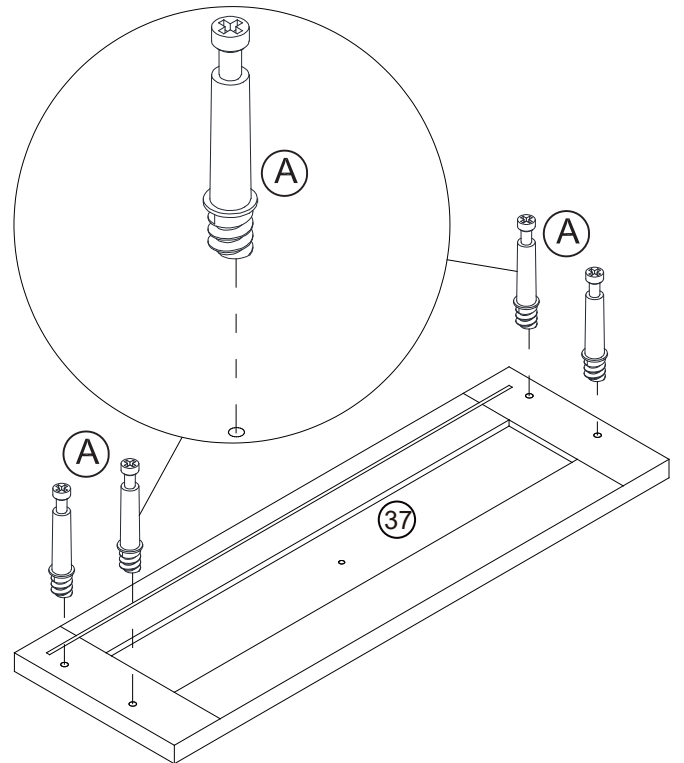
x2



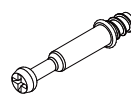
Q



4*8mm Handle x 2set



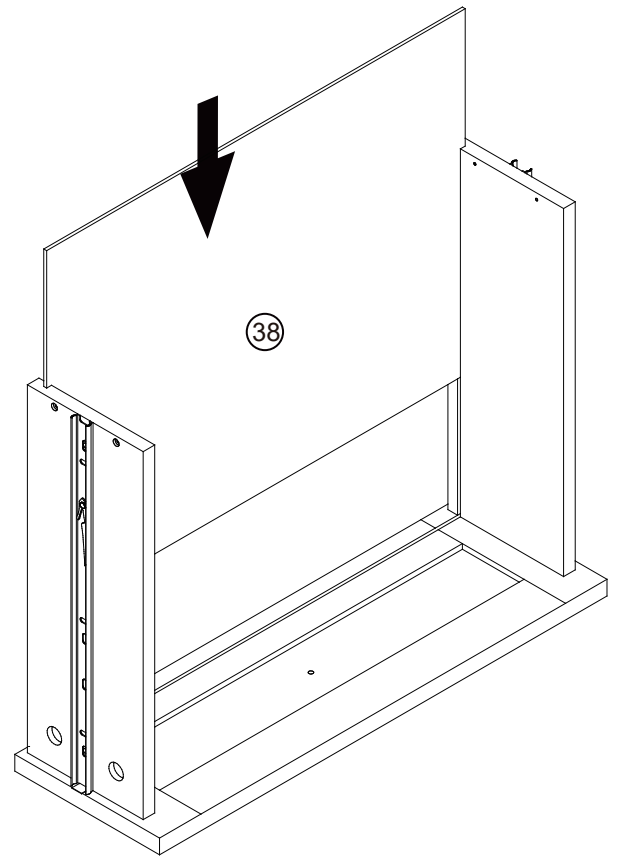
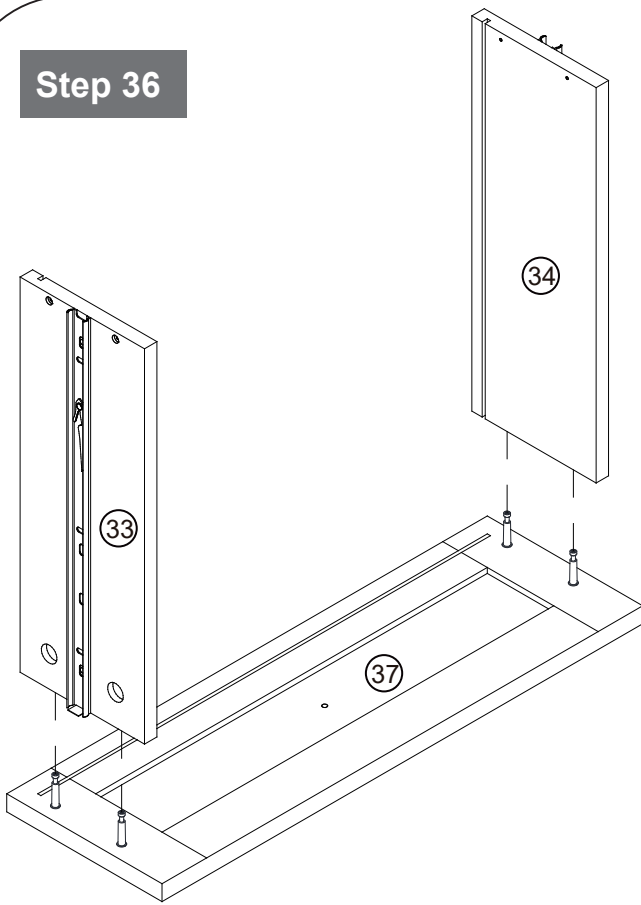
A



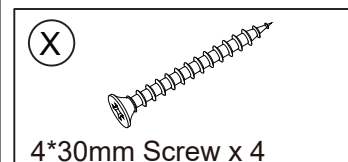
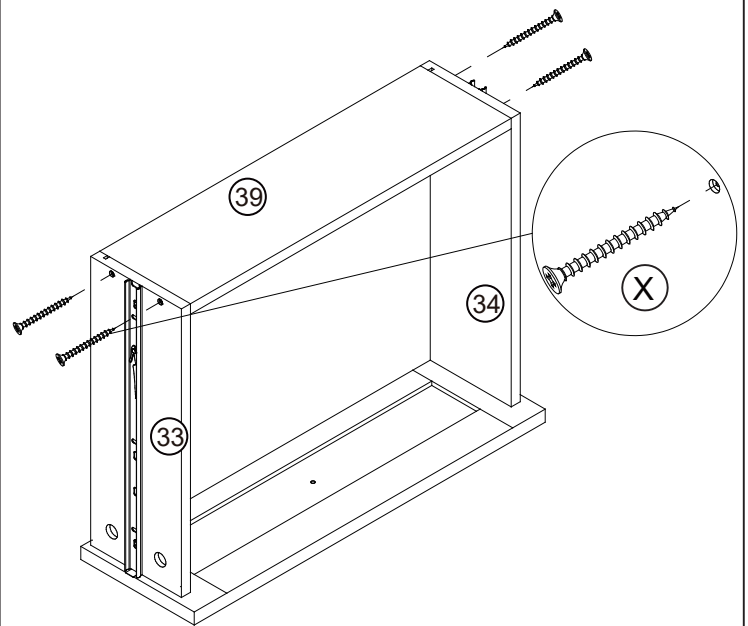
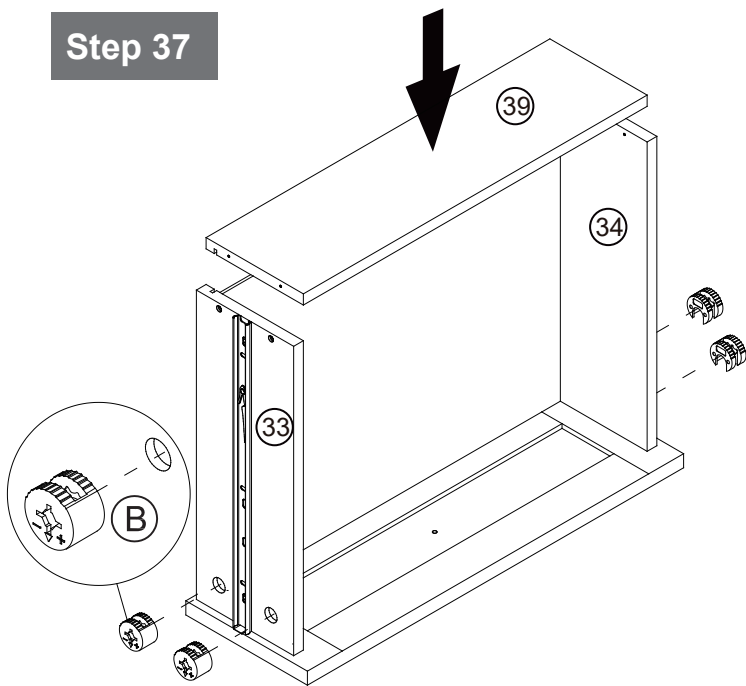
Cam Bolt x 4

Assembly Instructions

Step 36

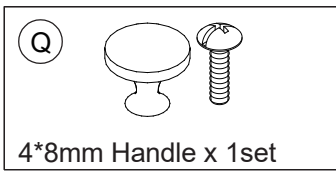
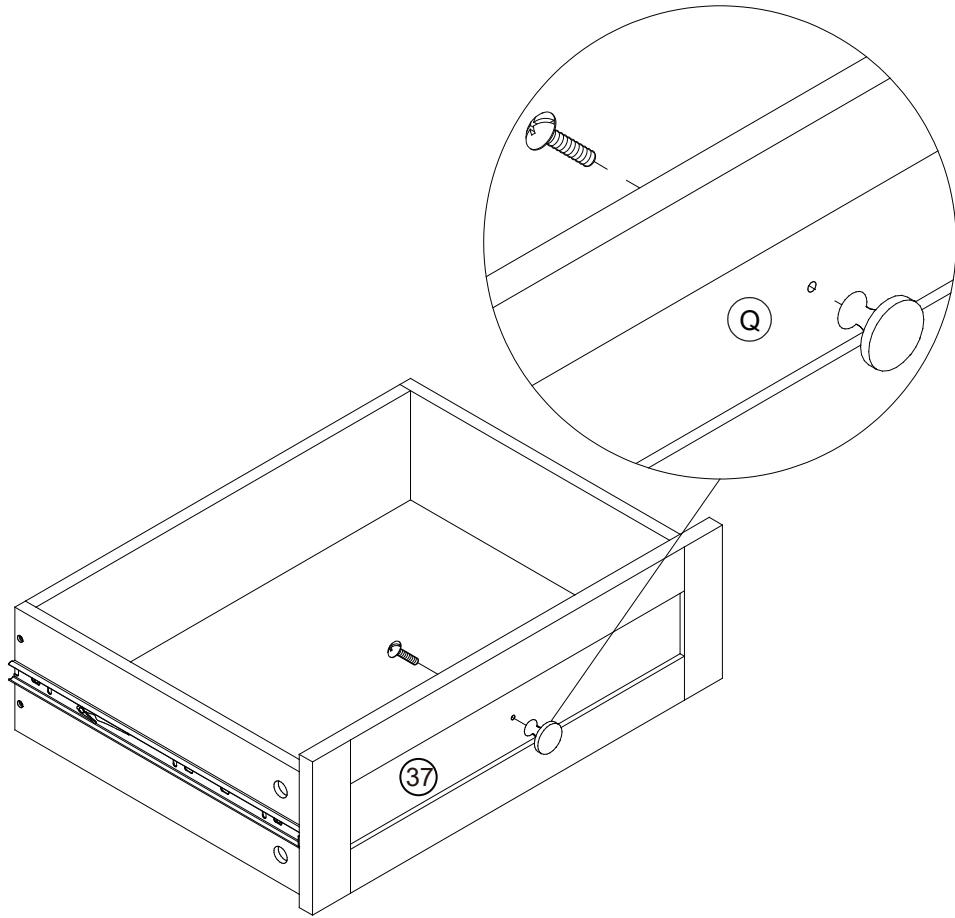


Step 37

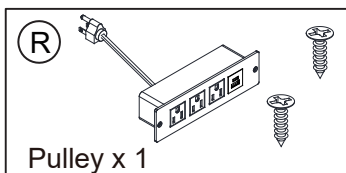
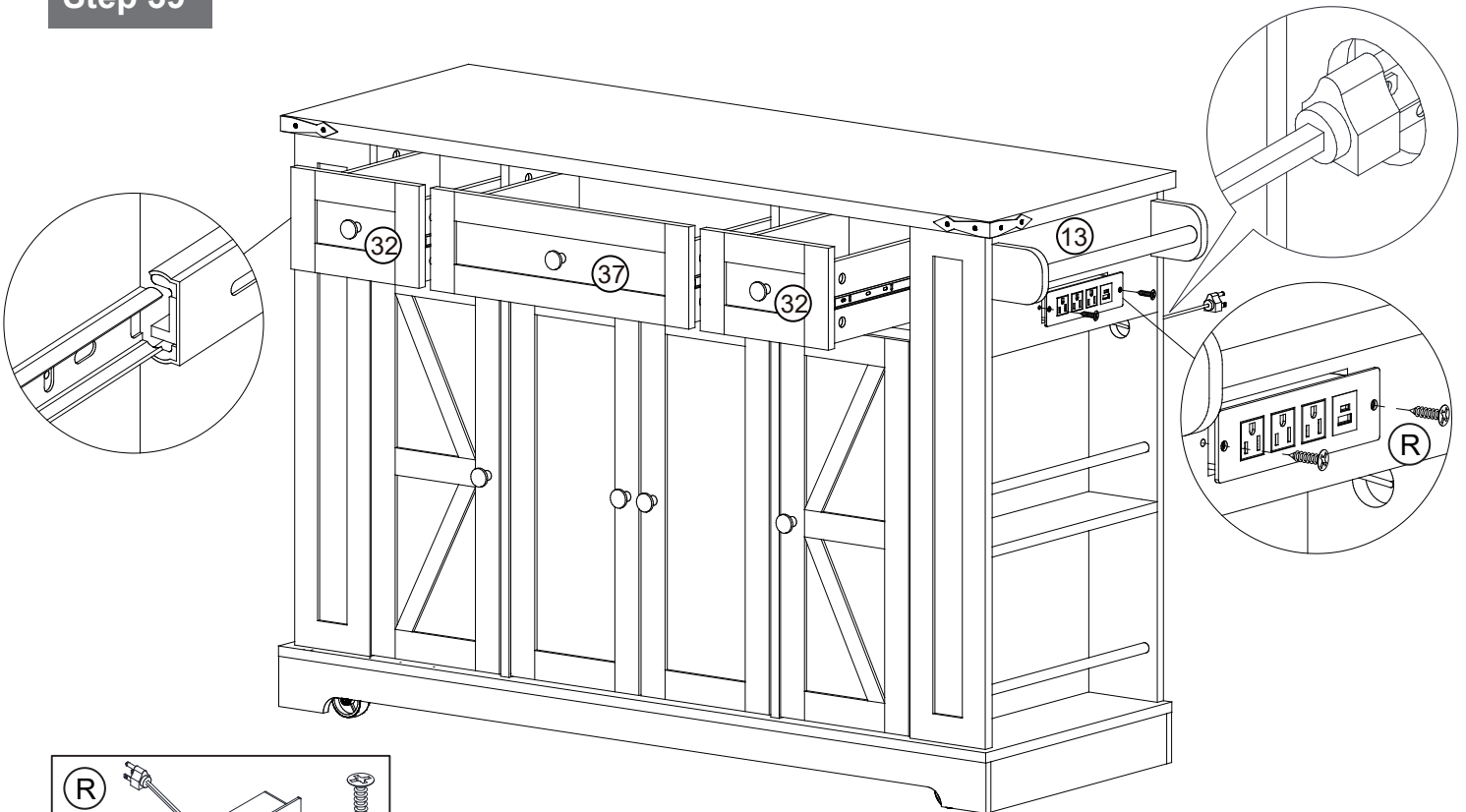


Assembly Instructions

Step 38

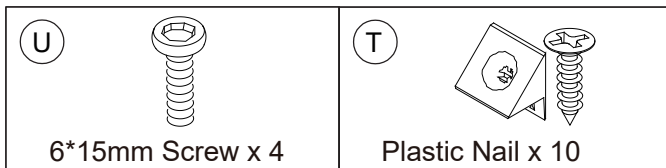
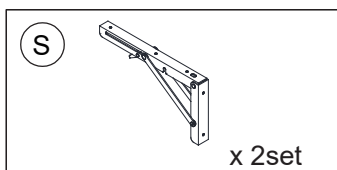
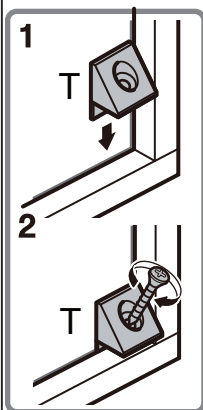


Step 39

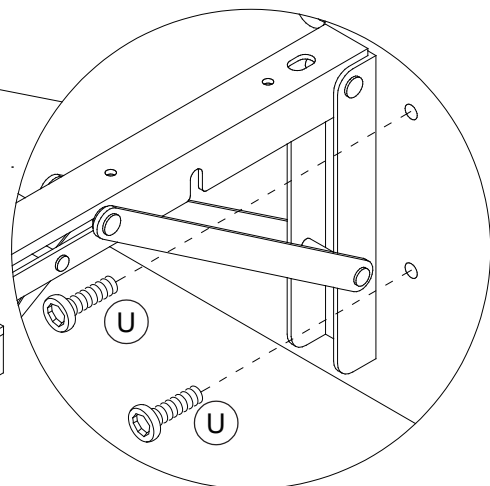
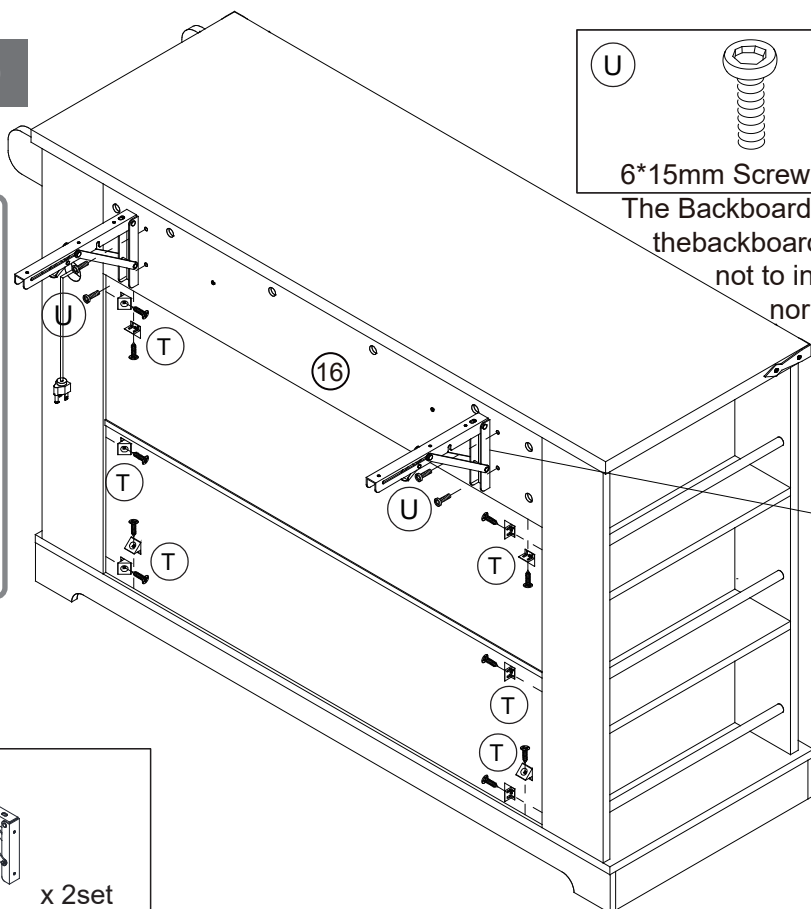


Assembly Instructions

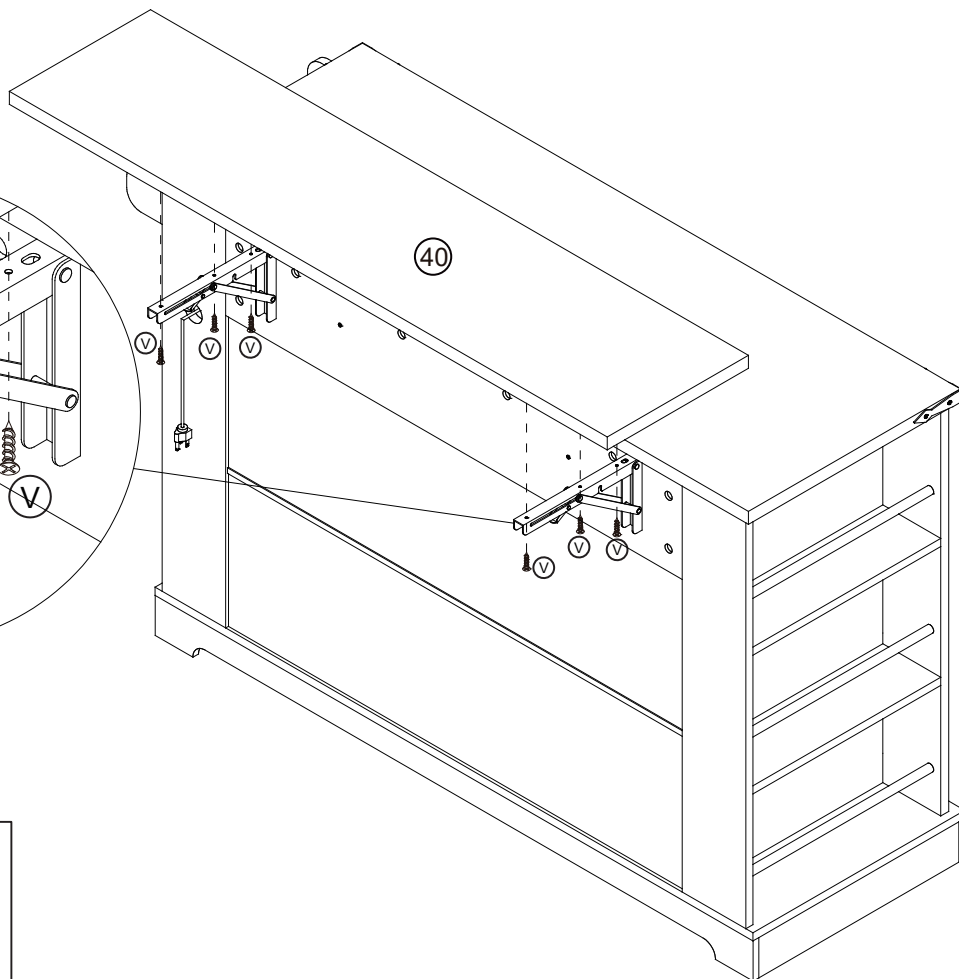
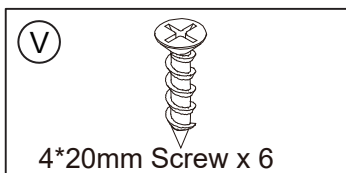
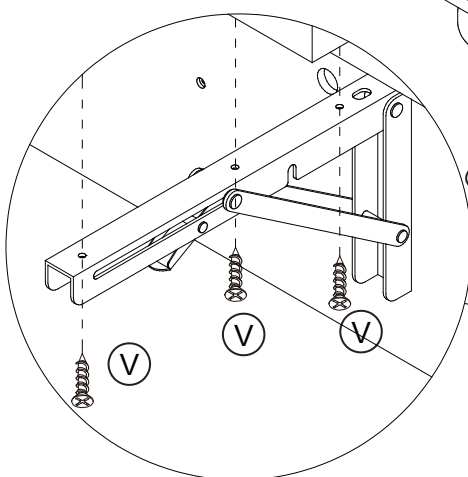
Step 40



The Backboard Buckle T serves to assist in stabilizing the backboard structure. You can choose to install or not to install at will, This product can be used normally. When you choose to install it, you can directly screw in the screw T at the gap of the backboard.



Step 41



Assembly Instructions

Step 43

