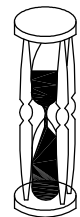
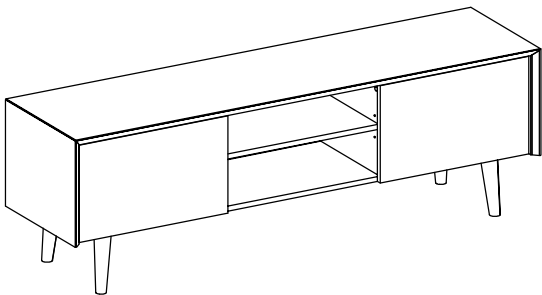


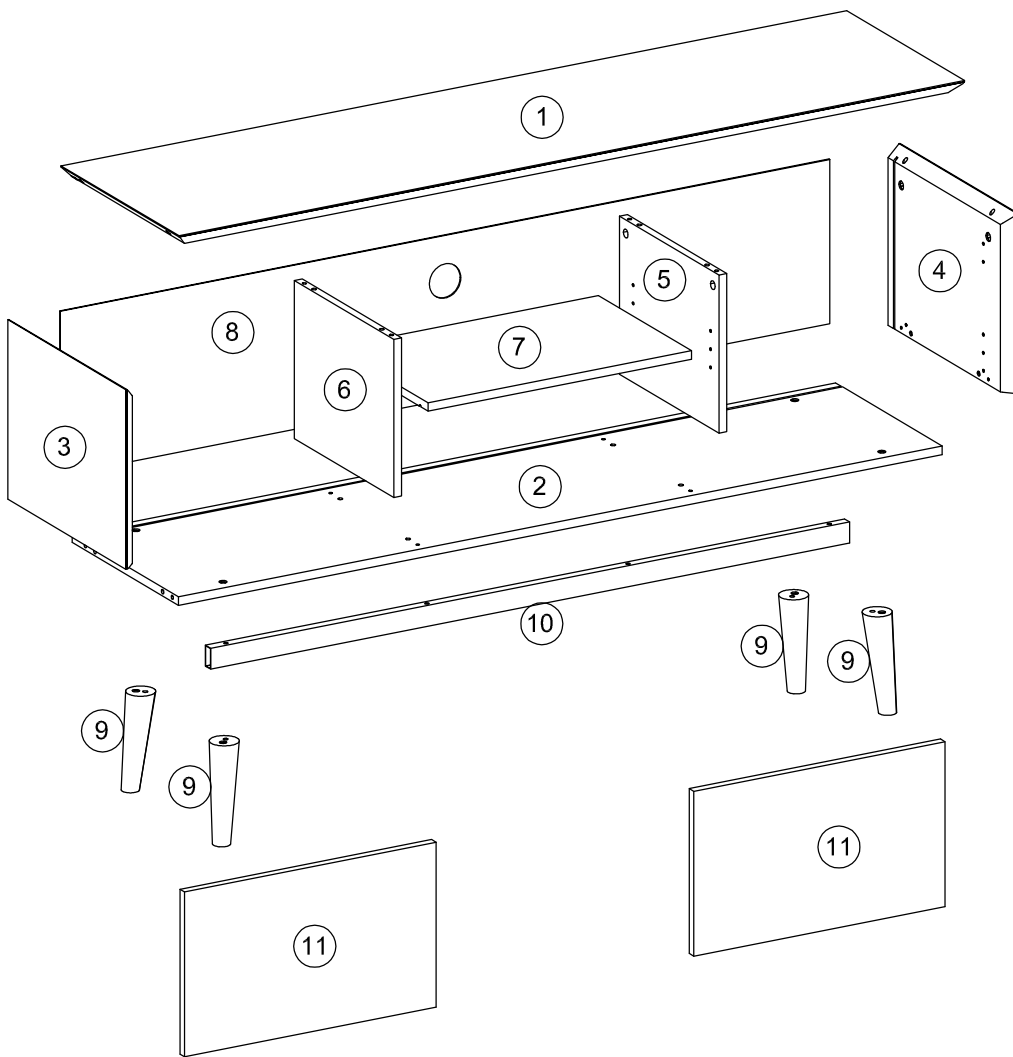
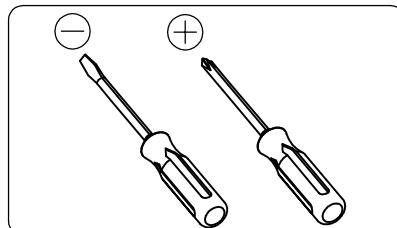
TVS



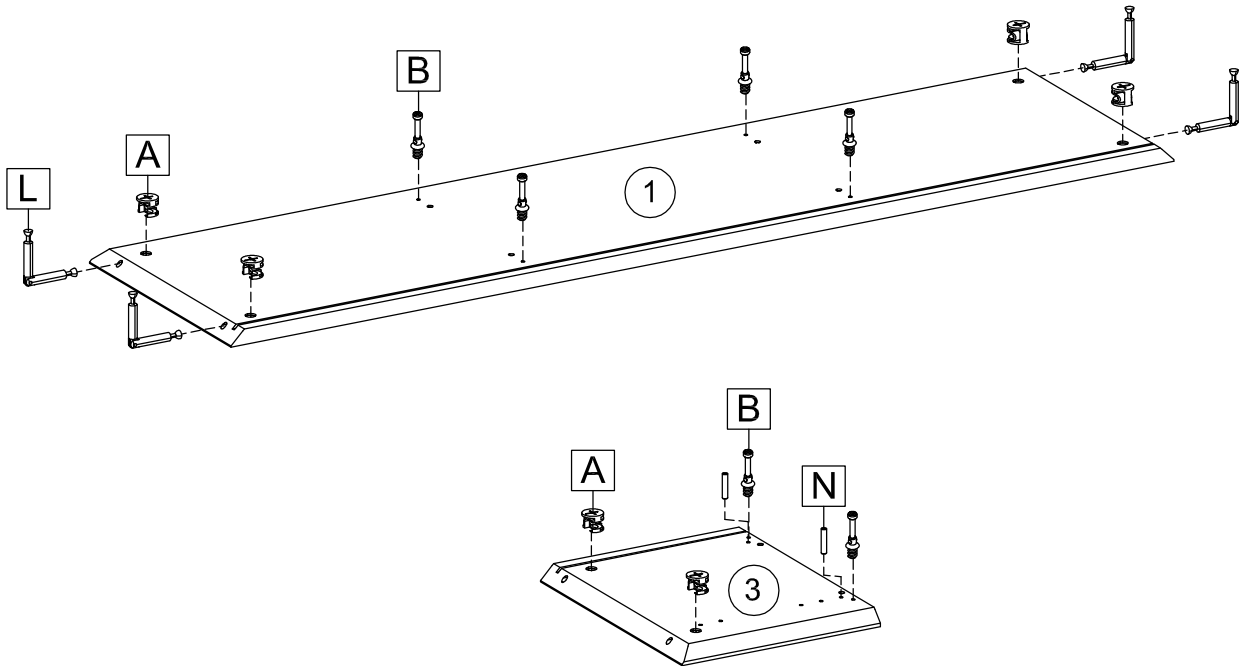
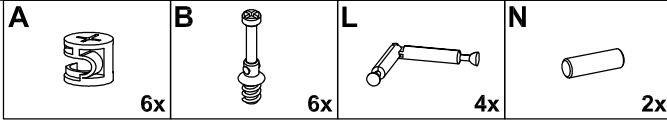
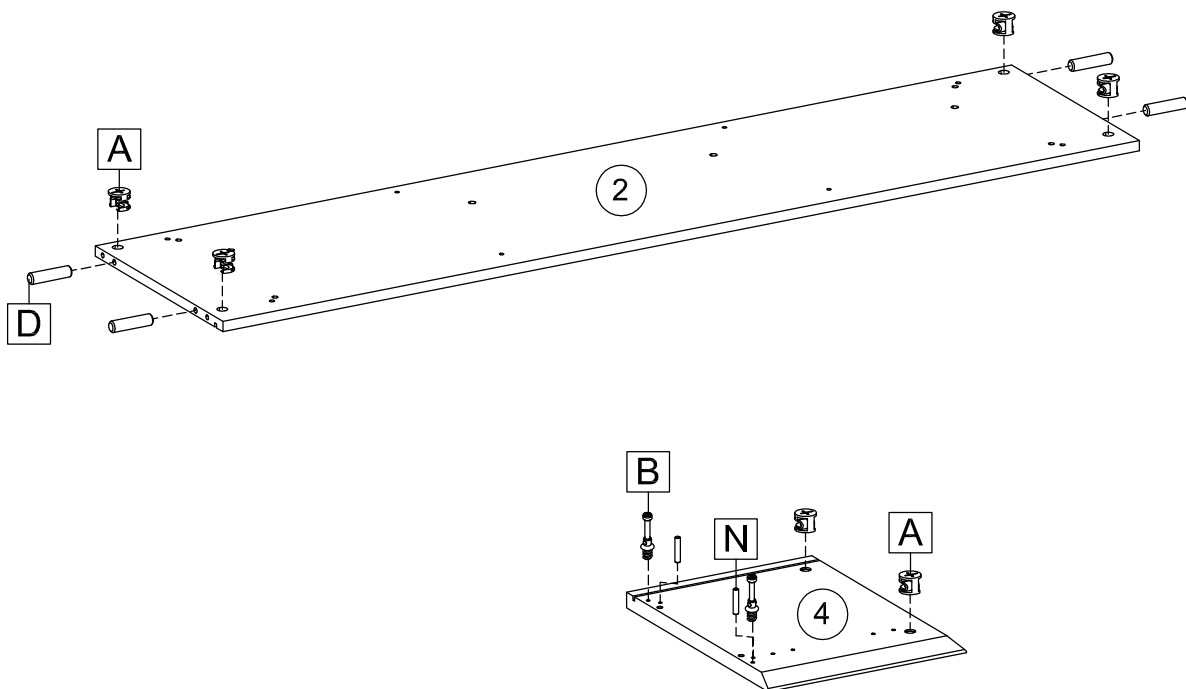
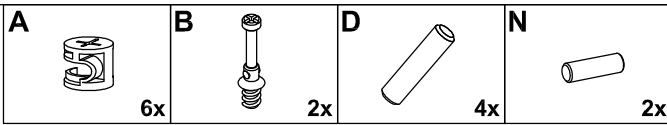
45 min




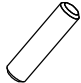


x2

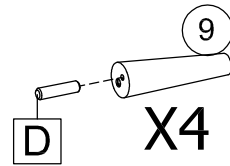
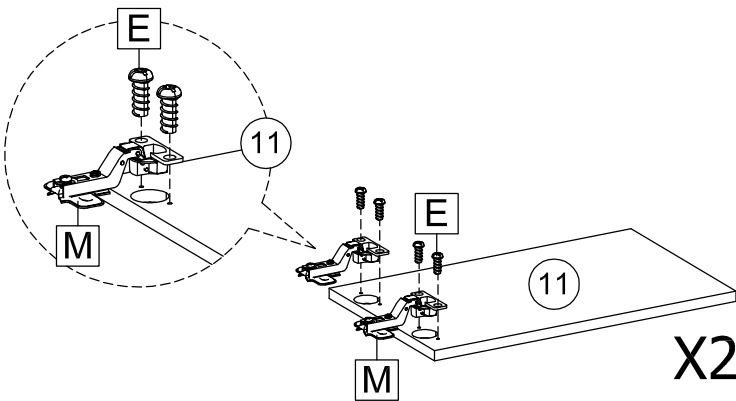
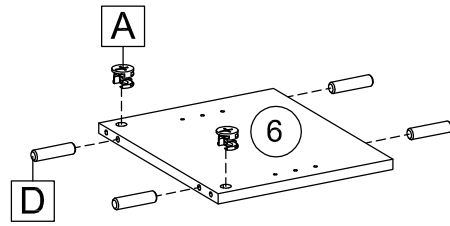
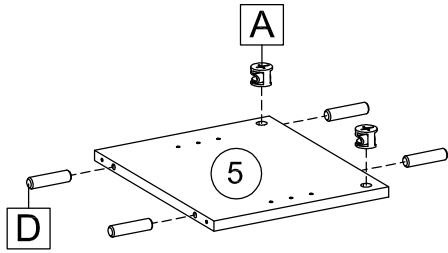


A	16X	B	8X	C	12X	D	16X	E	8X	F	4X	G	10X	H	10X	I	4X	J	4X
									4 x 10 mm		10 x 33,5 mm		4 x 19 mm				6 x 50 mm		6 x 30 mm
K	1X	L	4X	M	4X	N	4X	O	4X										

1**2**

3

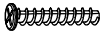
- | | | | |
|---|--|---|---|
| <p>A</p>  <p>4x</p> | <p>D</p>  <p>12x</p> | <p>E</p>  <p>8x</p> | <p>M</p>  <p>4x</p> |
|---|--|---|---|

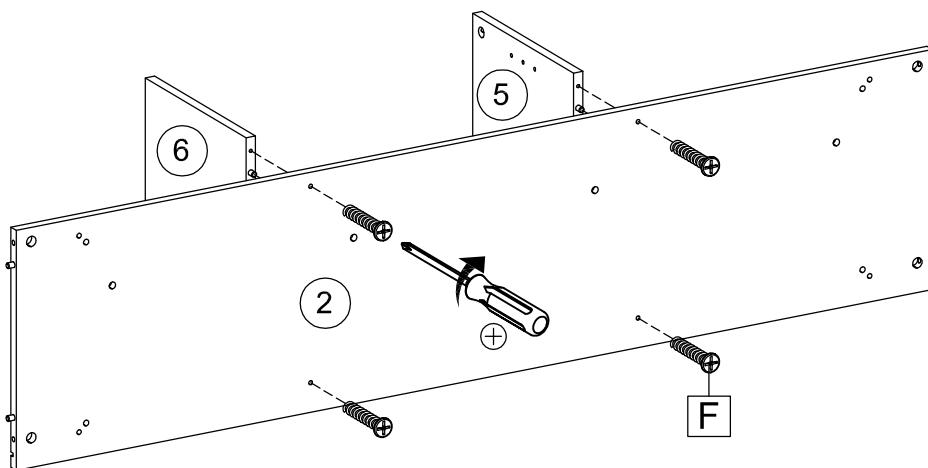


X2

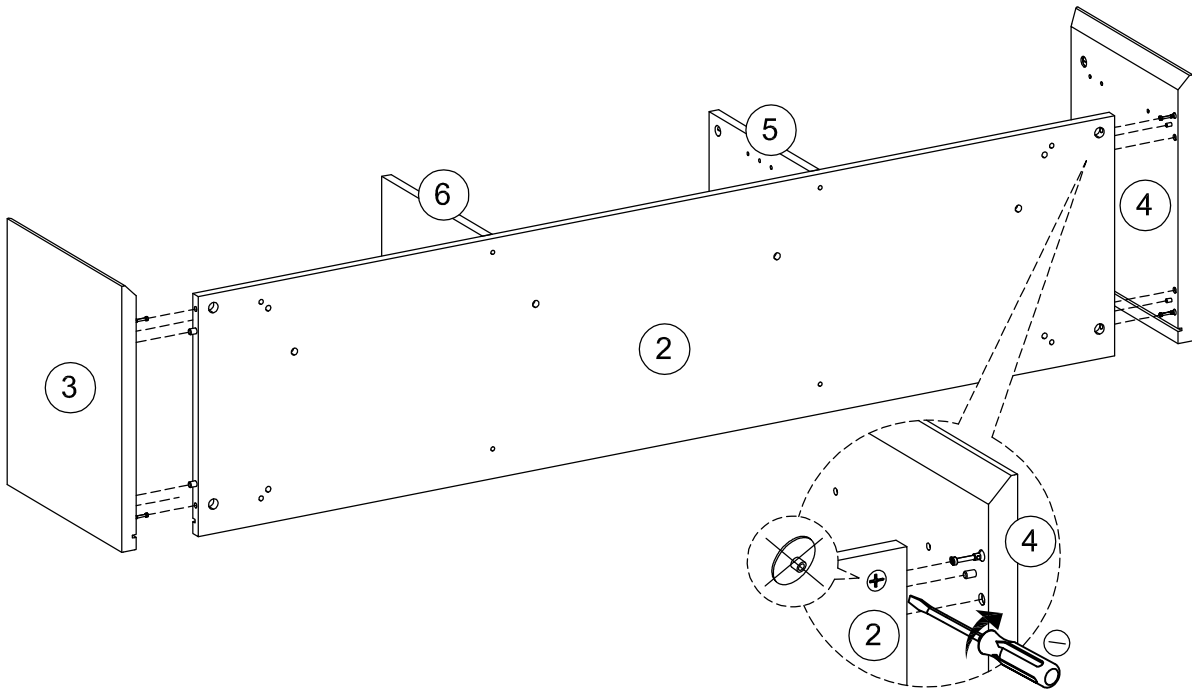
X4

4

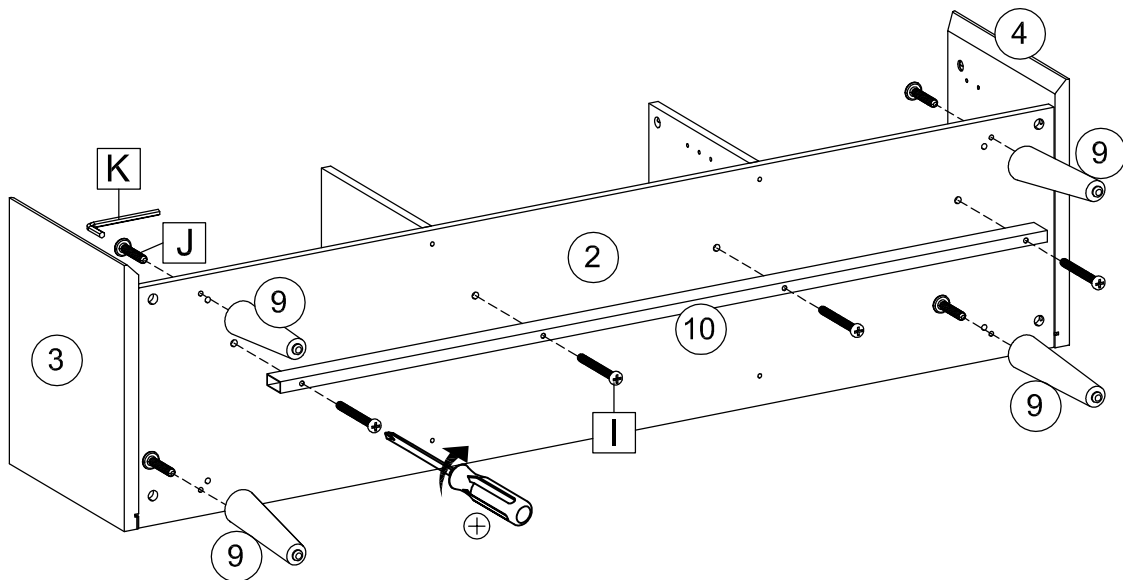
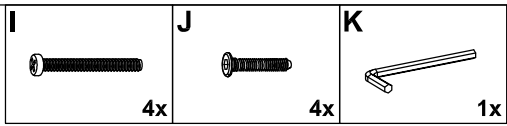
- | |
|---|
| <p>F</p>  <p>4x</p> |
|---|



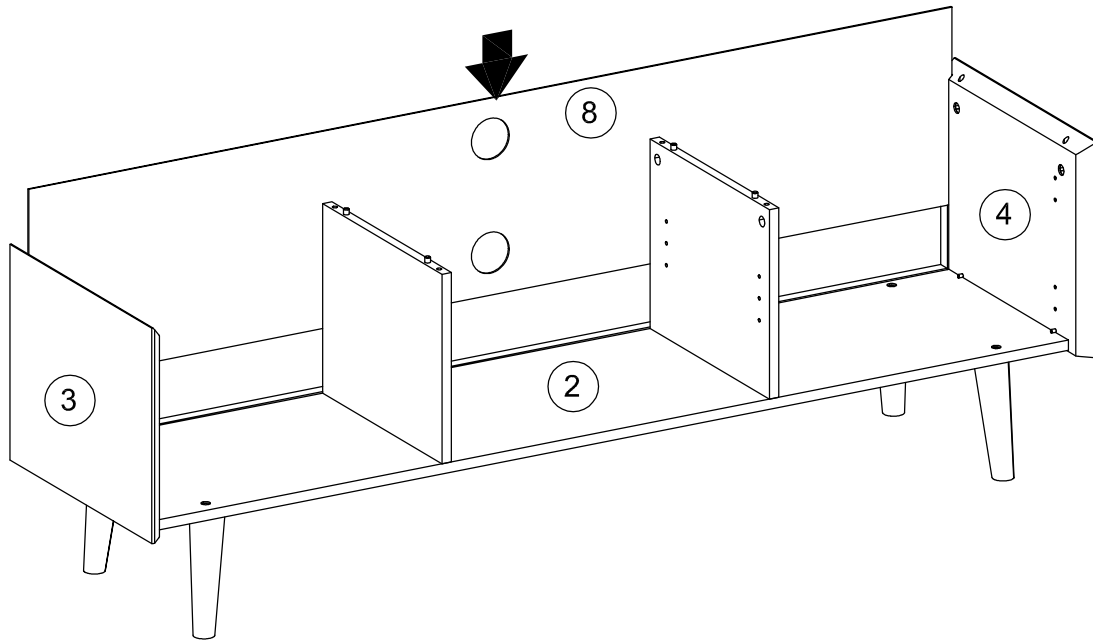
5



6



7

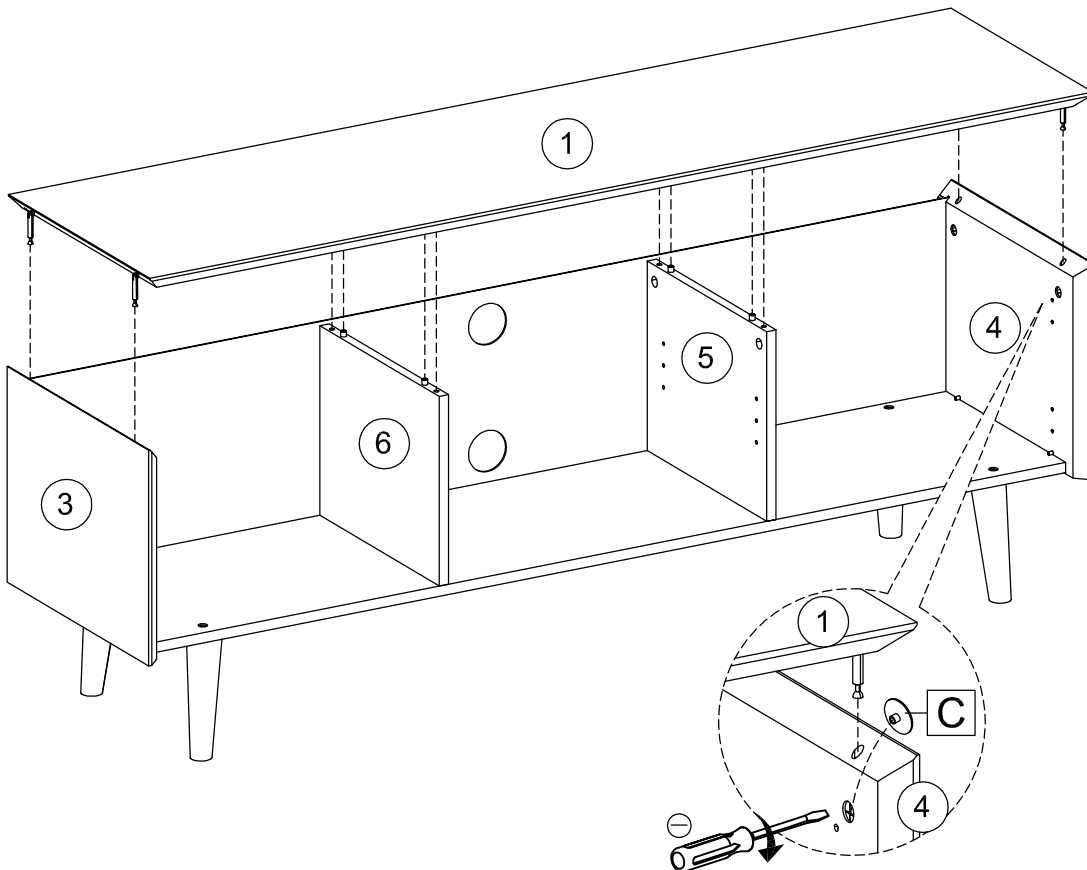


8

C



12x



9

G

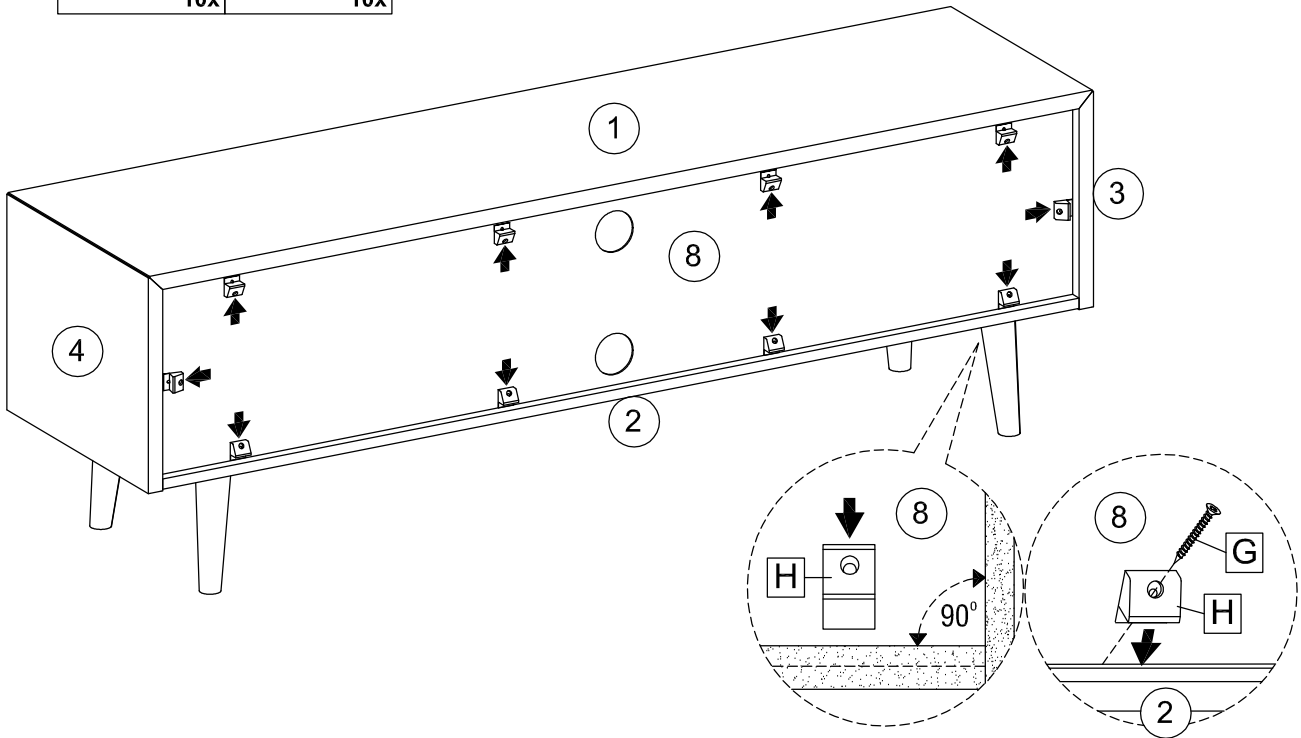


10x

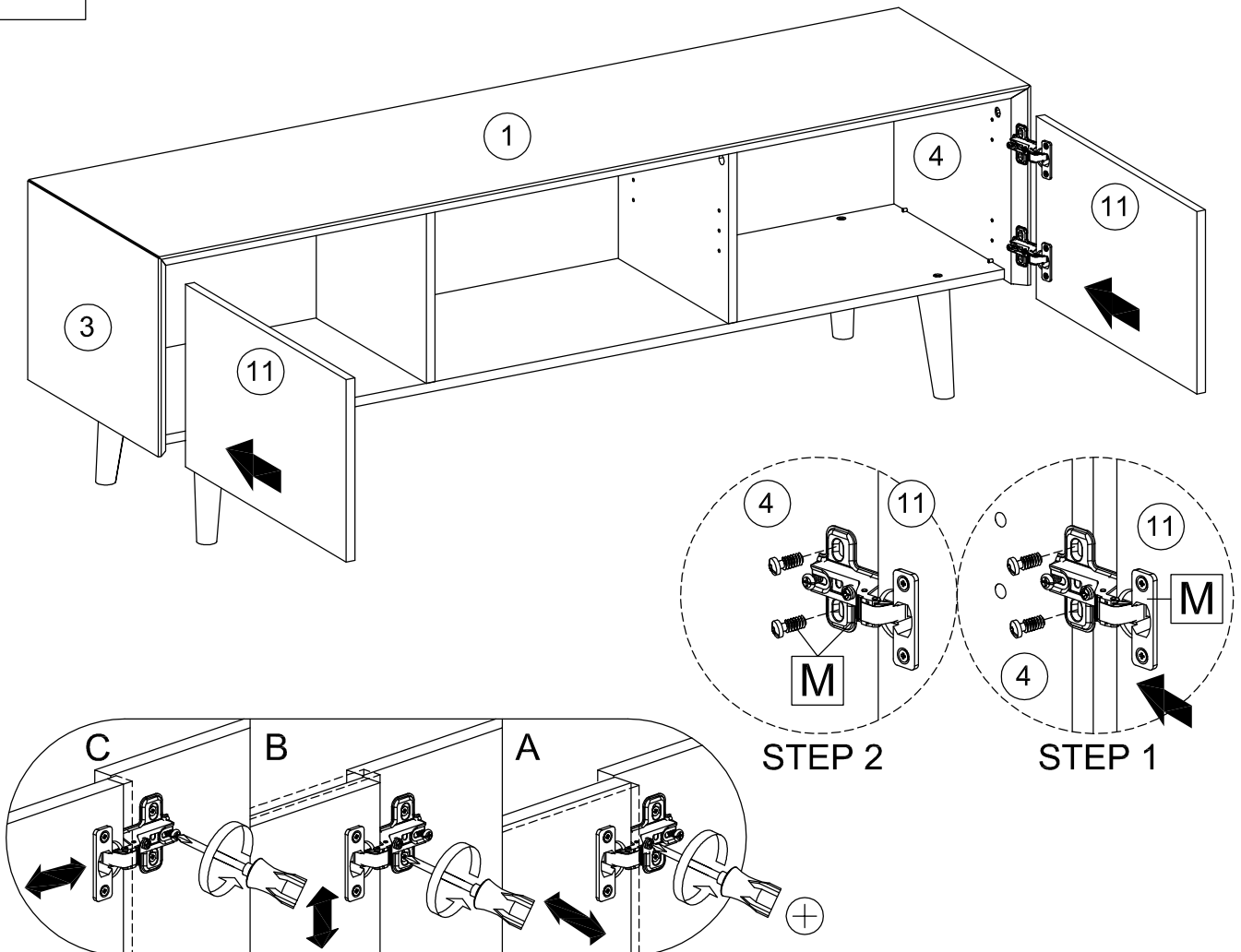
H

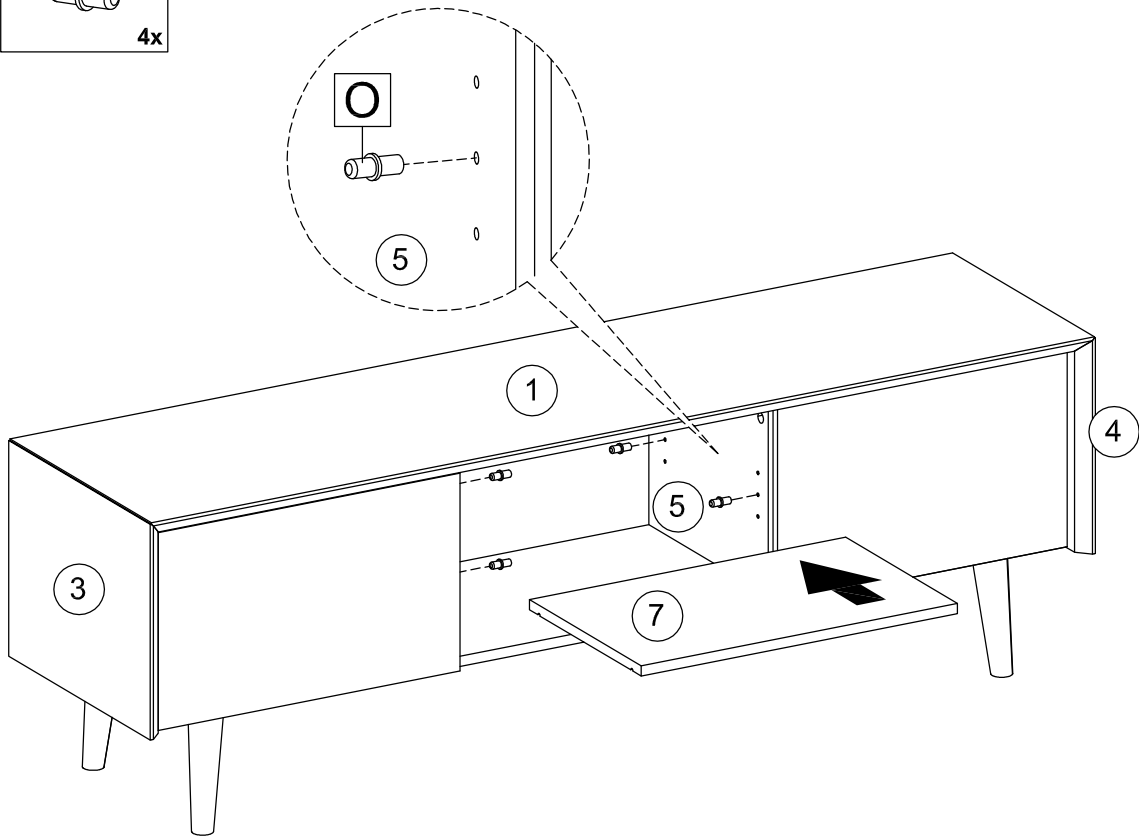
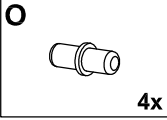


10x



10



11**12**