

ASSEMBLY INSTRUCTION

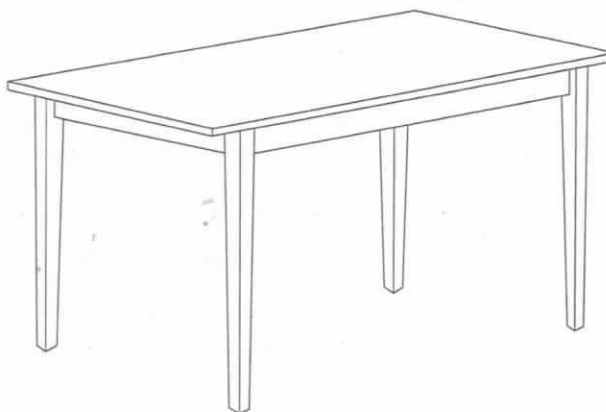
DINING TABLE

IMPORTANT NOTE :

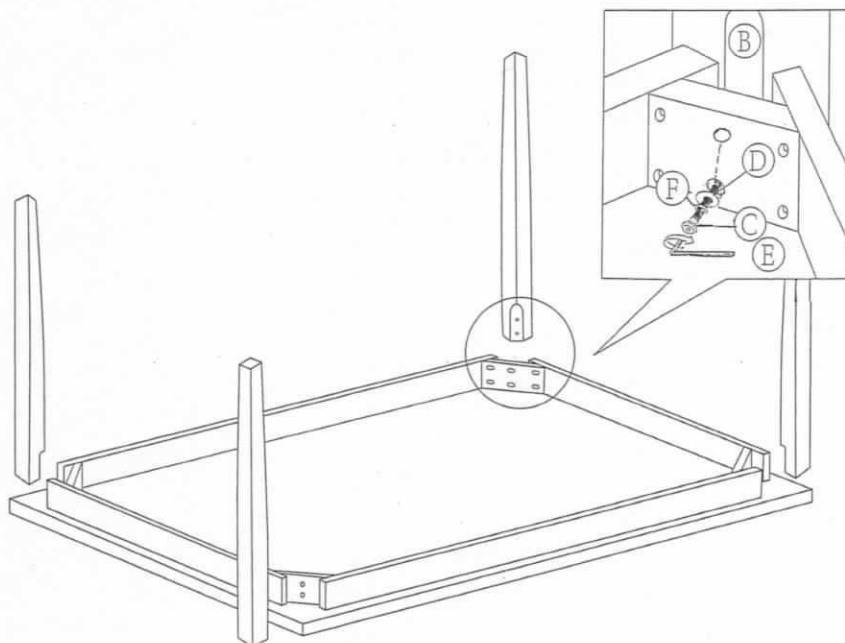
BEFORE YOUR BEGIN, PLEASE READ AND FOLLOW THE ASSEMBLY INSTRUCTIONS CAREFULLY.

- IDENTIFY AND SEPARATE ALL PARTS BEFORE DISCARDING PACKAGING.
- PLACE WOODEN PARTS ON A CLEAN SOFT SURFACE TO AVOID SCRATCHING THE PARTS.
- DO NOT USE POWER TOOL FOR ASSEMBLY.
- AS WITH ALL FURNITURE, OCCASIONALLY CHECK TO INSURE HARDWARE IS TIGHT.

PART LIST		
A	TABLE TOP	1 PC
B	TABLE LEGS	4 PCS
HARDWARE LIST		
C	 JCBG BULT (LONG)	8 PCS
D	 FLAT WASHER	8 PCS
E	 ALLEN KEY	1 PC
F	 SPRING WASHER	8 PCS



ATTACH THE TABLE LEGS (B) TO THE CORNER BLOCK WITH HEX SCREW (C) SPRING WASHER (F) AND FLAT WASHER (D). TIGHTEN THE HEX SCREW (C) BY USING THE HEX WRENCH (E).



Thank you for purchasing our product!

ASSEMBLY INSTRUCTION

DINING CHAIR

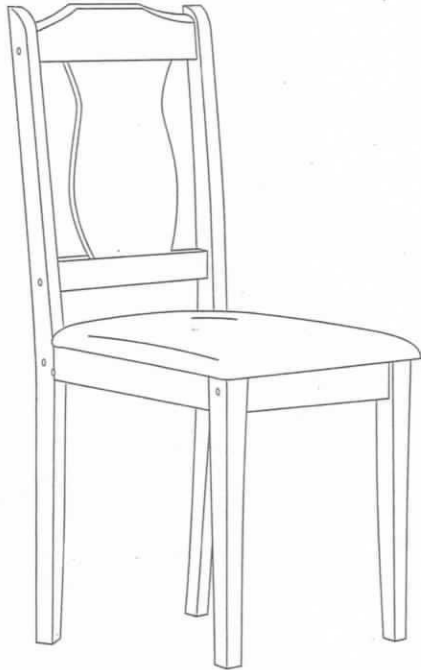
IMPORTANT NOTE :

BEFORE YOUR BEGIN, PLEASE READ AND FOLLOW THE ASSEMBLY INSTRUCTIONS CAREFULLY.

1. IDENTIFY AND SEPARATE ALL PARTS BEFORE DISCARDING PACKAGING.
2. PLACE WOODEN PARTS ON A CLEAN SOFT SURFACE TO AVOID SCRATCHING THE PARTS.
3. **DO NOT COMPLETELY TIGHTEN SCREWS UNIT AFTER STEP 7.**
4. **DO NOT USE POWER TOOL FOR ASSEMBLY.**

IMPORTANT: IF YOU DO NOT ADHERE TO NOTE 3 & 4, IT WILL RESULT IN DAMAGES TO THE PRODUCTS.

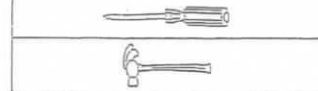
5. AS WITH ALL FURNITURE, OCCASIONALLY CHECK TO INSURE HARDWARE IS TIGHT.



HARDWARE (FOR ONE CHAIR)			
NO	DESCRIPTION		QTY
A	JCBC WOOD (LONG)		2 PCS
B	JCBC WOOD		6 PCS
C	JCBC BOLT		6 PCS
D	SPRING WASHER		6 PCS
E	FLAT WASHER		6 PCS
F	WOOD DOWEL		12 PCS
G	WOOD SCREW		4 PCS
H	ALLEN KEY		1 PC
I	GLUE		1 PC

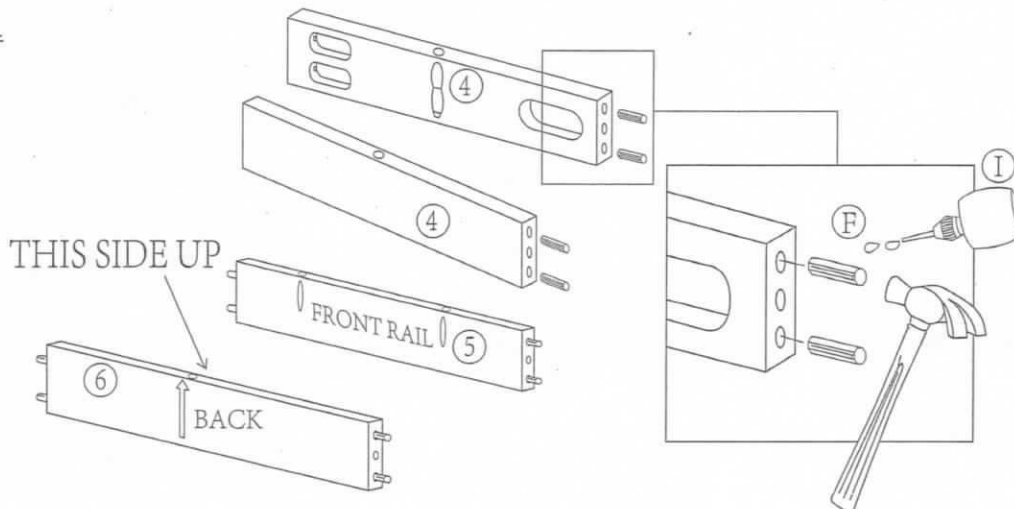
PART LIST (FOR ONE CHAIR)		
NO	DESCRIPTION	QTY
1	CHAIR BACK	1 PCS
2	LEFT & RIGHT BACK LEG	2 PCS
3	LEFT & RIGHT FRONT LEG	2 PCS
4	SIDE RAIL	2 PCS
5	FRONT RAIL	1 PCS
6	BACK RAIL	1 PCS
7	CUSHION SEAT	1 PCS

TOOLS REQUIRED (NOT PROVIDED):



*** DO NOT USE POWER TOOLS FOR ASSEMBLY**

STEP 1



MADE IN MALAYSIA

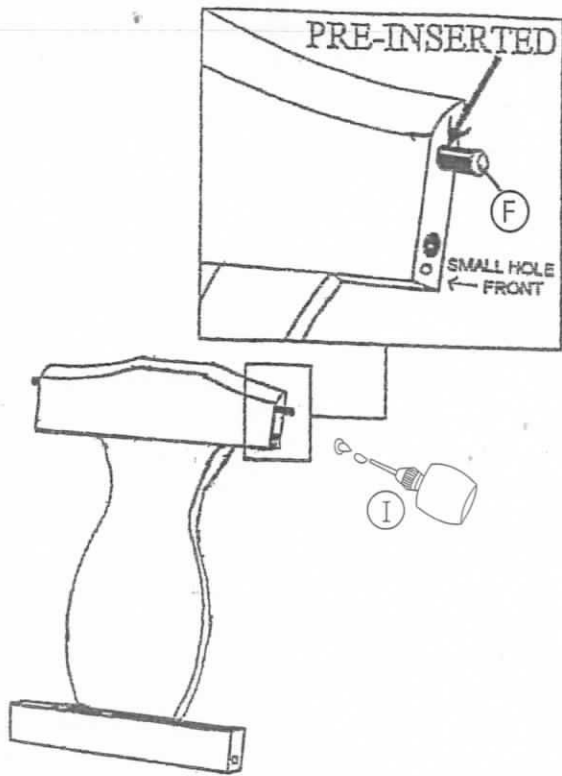
PAGE 1 OF 3

Thank you for purchasing our product!

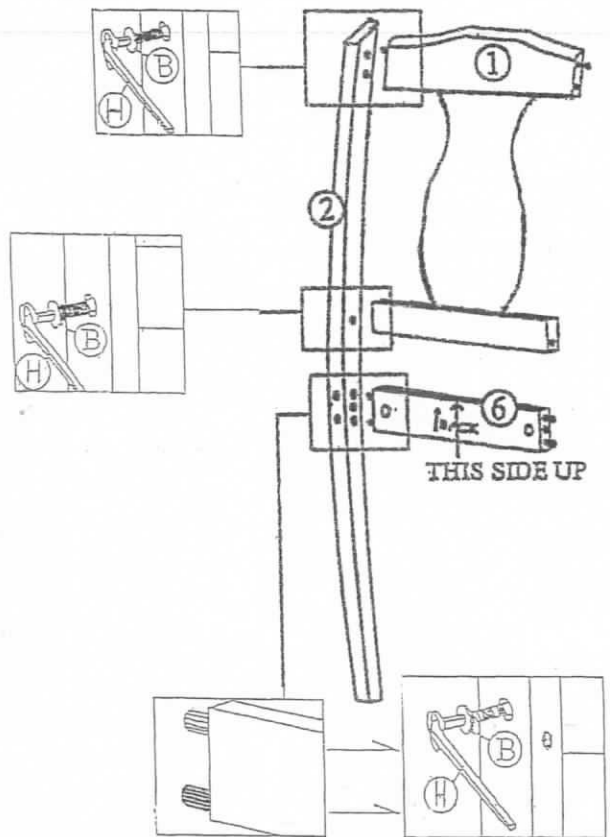
ASSEMBLY INSTRUCTION

DINING CHAIR

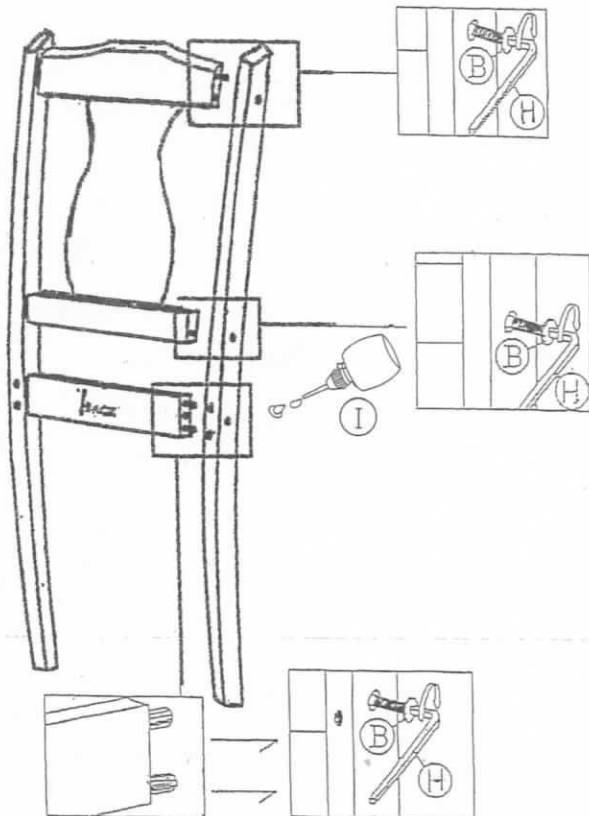
STEP 2



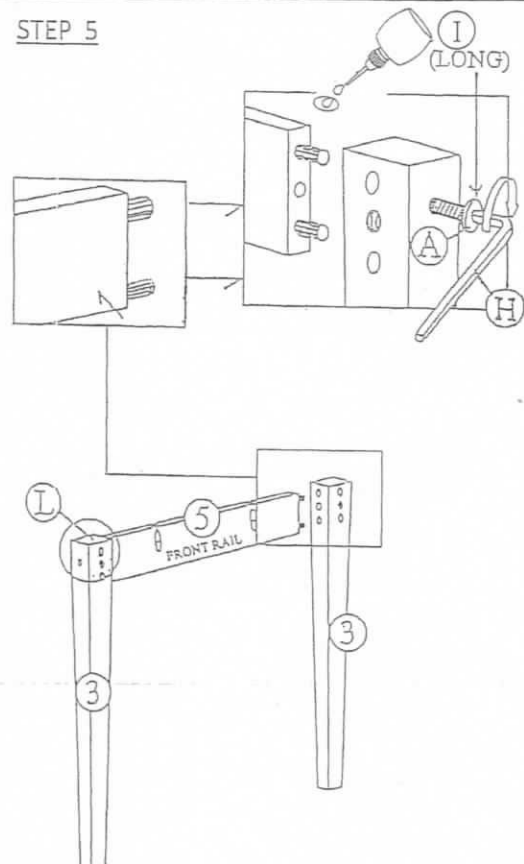
STEP 3



STEP 4



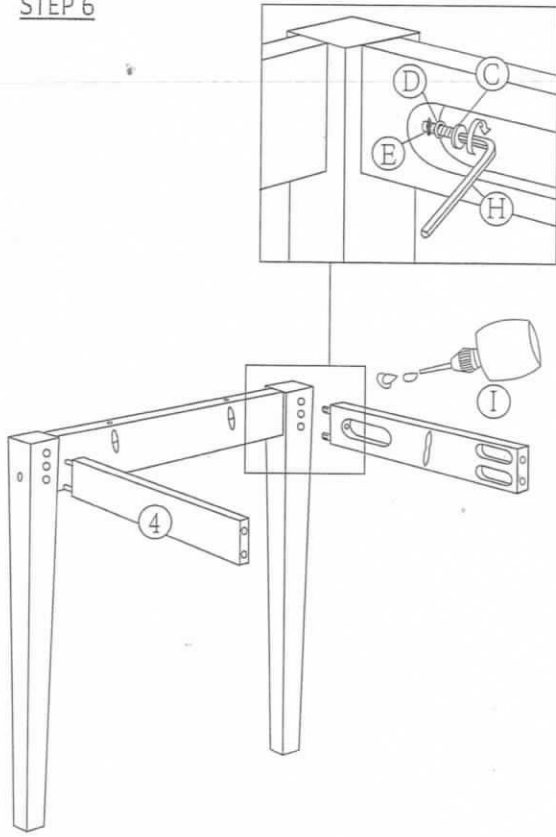
STEP 5



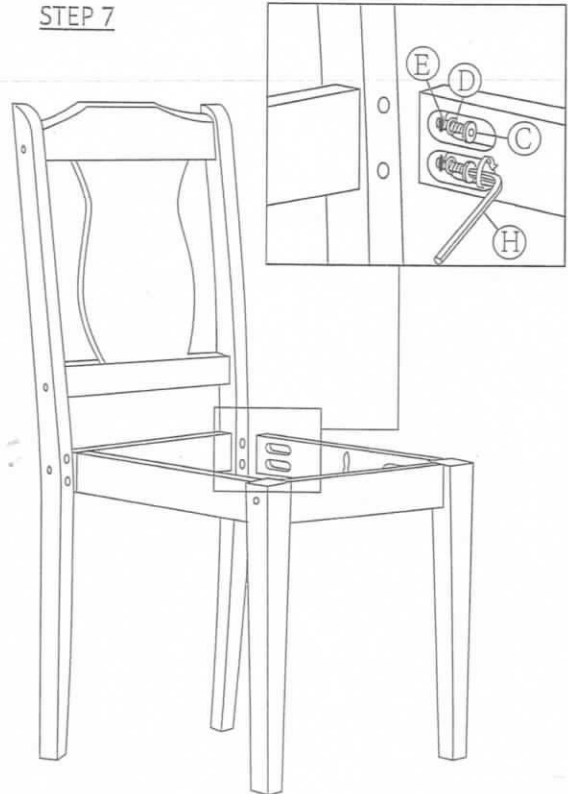
ASSEMBLY INSTRUCTION

DINING CHAIR

STEP 6

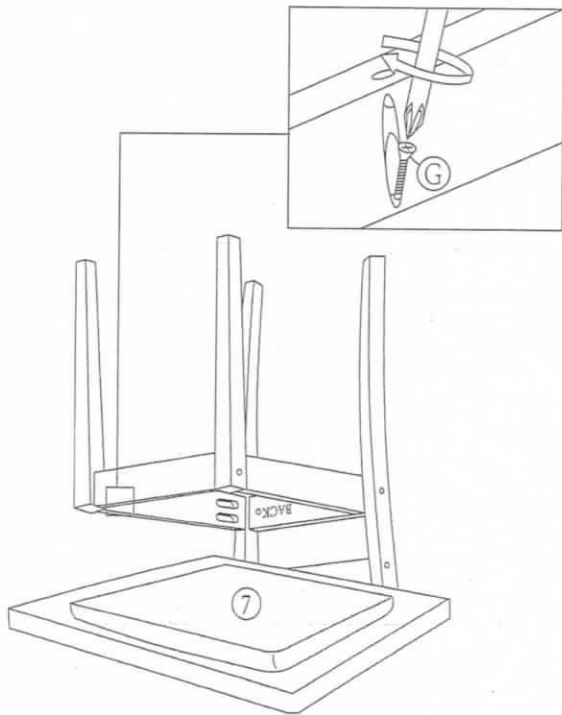


STEP 7

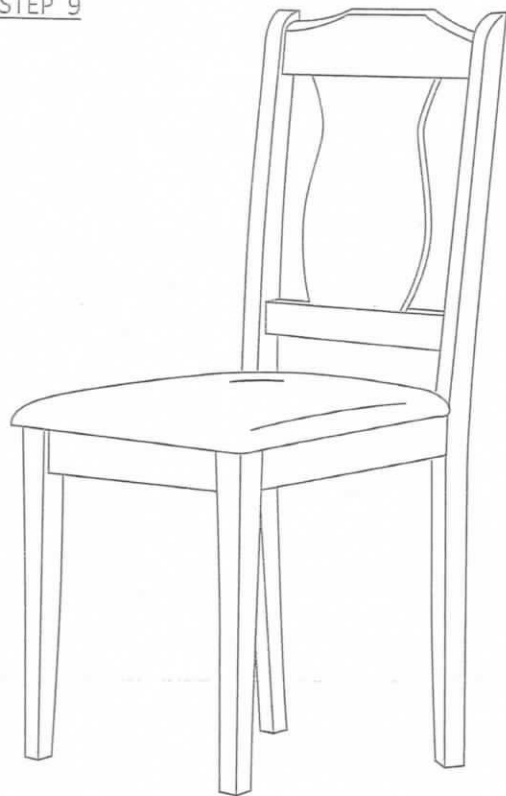


TIGHTEN SCREWS AFTER COMPLETING THIS STEP 7.
DO NOT USE POWER TOOL.

STEP 8



STEP 9



FULLY SET UP