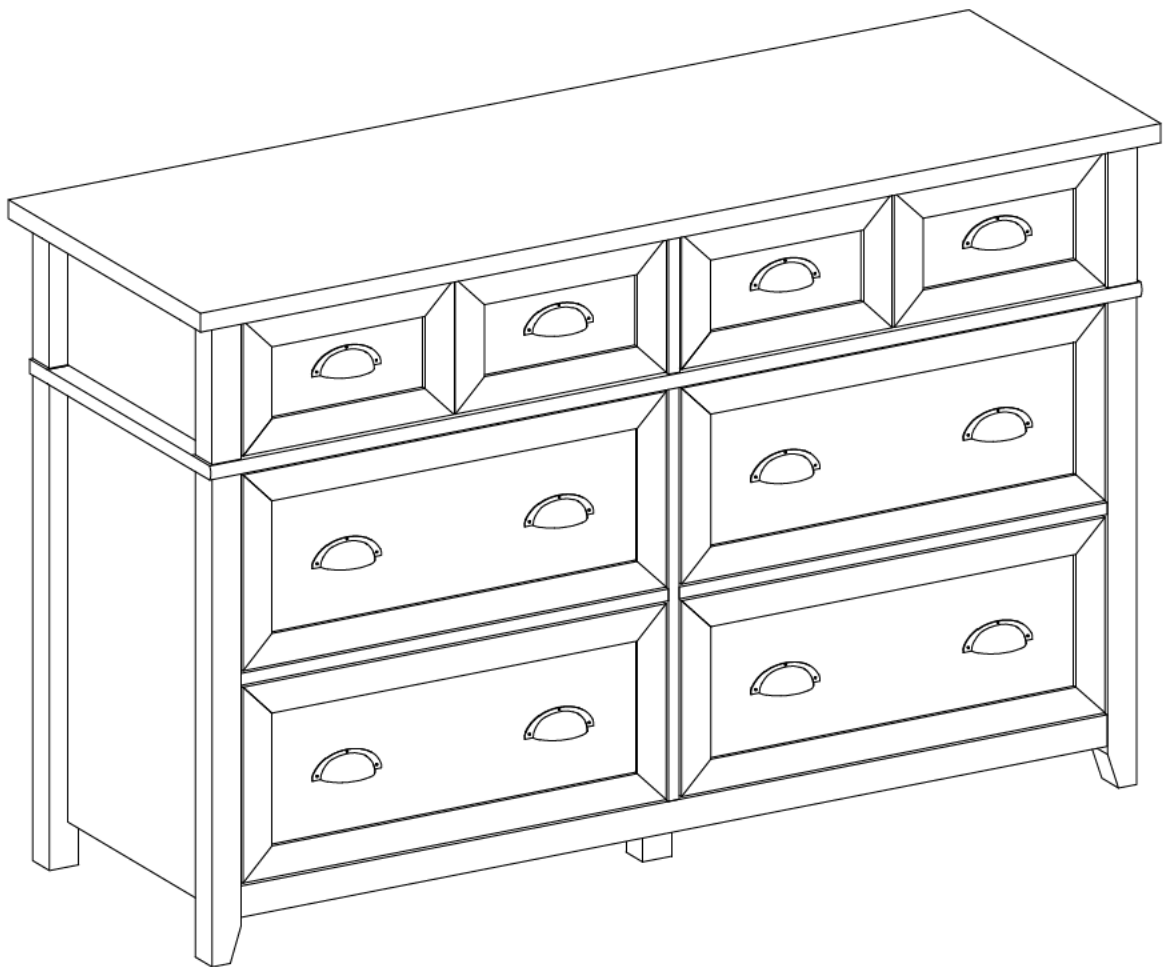
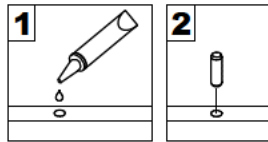


# Assembly Instructions

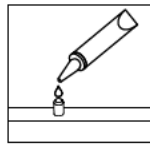


# General Assembly Guidelines

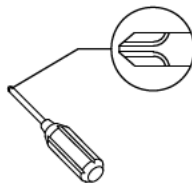
- I. Ensure that all parts and hardware are available before beginning assembly.
- II. Follow each step carefully to ensure the proper assembly of this product.
- III. Two people are recommended for ease in the assembly of this product.
- IV. The three main types of hardware used to assemble this product are: wood dowels, screws and bolts.
- V. The provided glue is to secure wood dowels in place. When first inserting dowels, locate the appropriate hole for the dowel, place a small amount of glue in the hole and insert the dowel. Wipe away excess glue immediately.



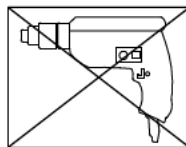
In future assembly steps when dowels are necessary to attach assembly parts together, place a small amount of glue on the end of the dowel before attaching parts together. Wipe away excess glue immediately.



- VI. A Phillips head screwdriver is required for the assembly of this product .

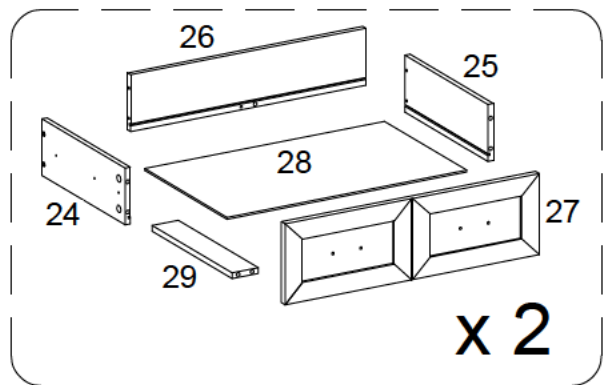
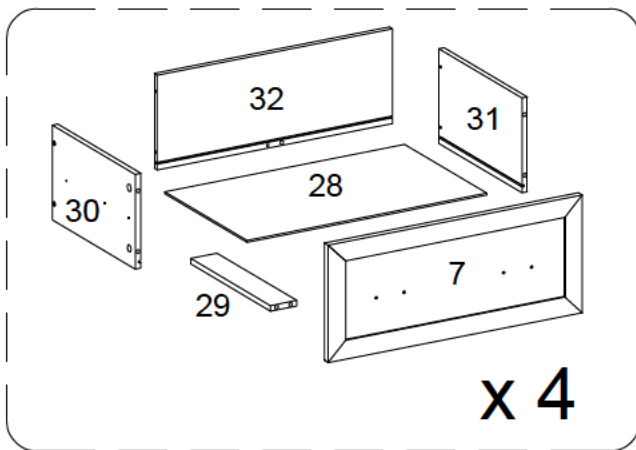
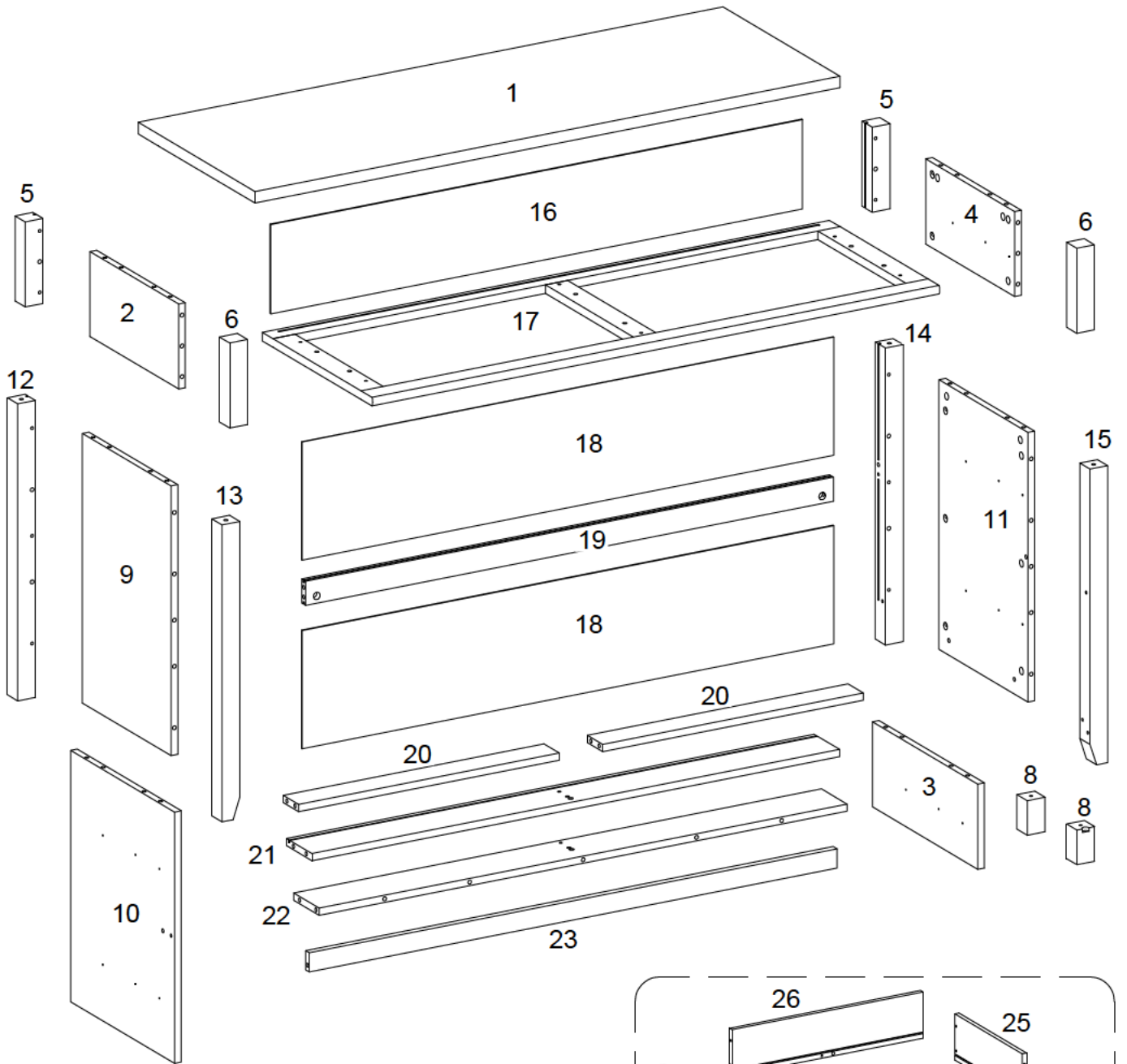


- VII. Power tools should not be used to assemble this product.




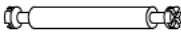





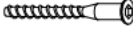



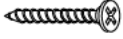


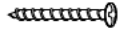
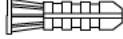





- VIII. Drill may be needed for securing product to wall.

# Parts List



# Hardware List

A		Ø8x30mm	Wooden dowel	46 pcs
B		Ø8x50mm	Wooden dowel	1 pc
C		Ø6x35mm	Cam bolt	75 pcs
D		Ø6x64mm	Cam bolt	1 pc
E		Ø15x11mm	Cam lock	47 pcs
F		Ø15x9mm	Cam lock	30 pcs
G		Ø30mm	Sticker	77 pcs
H			Handle	12 pcs
J		Ø4x10mm	Handle Bolt	24 pcs
K		Ø6x50mm	Screw	10 pcs
L			Plastic wedge	24 pcs
M		Ø3x17mm	Screw	24 pcs
N		M4	Hex Key	1 pc
P		Ø4x38mm	Screw	30 pcs
Q		Ø3x12mm	Screw	72 pcs
R			Velcro strap	2 pcs
S		Ø4x25mm	Screw	2 pcs
T			Nut	2 pcs
U		Ø4x12mm	Screw	2 pcs
V		Ø6x30mm	Wooden dowel	12 pcs
W		12"	Drawer slider	6 Sets

\* Note: This piece comes preassembled for shipping purposes and must be disassembled to complete the desk assembly.

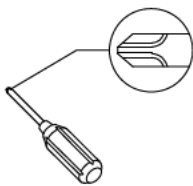
# Hardware List

X



Glue tube

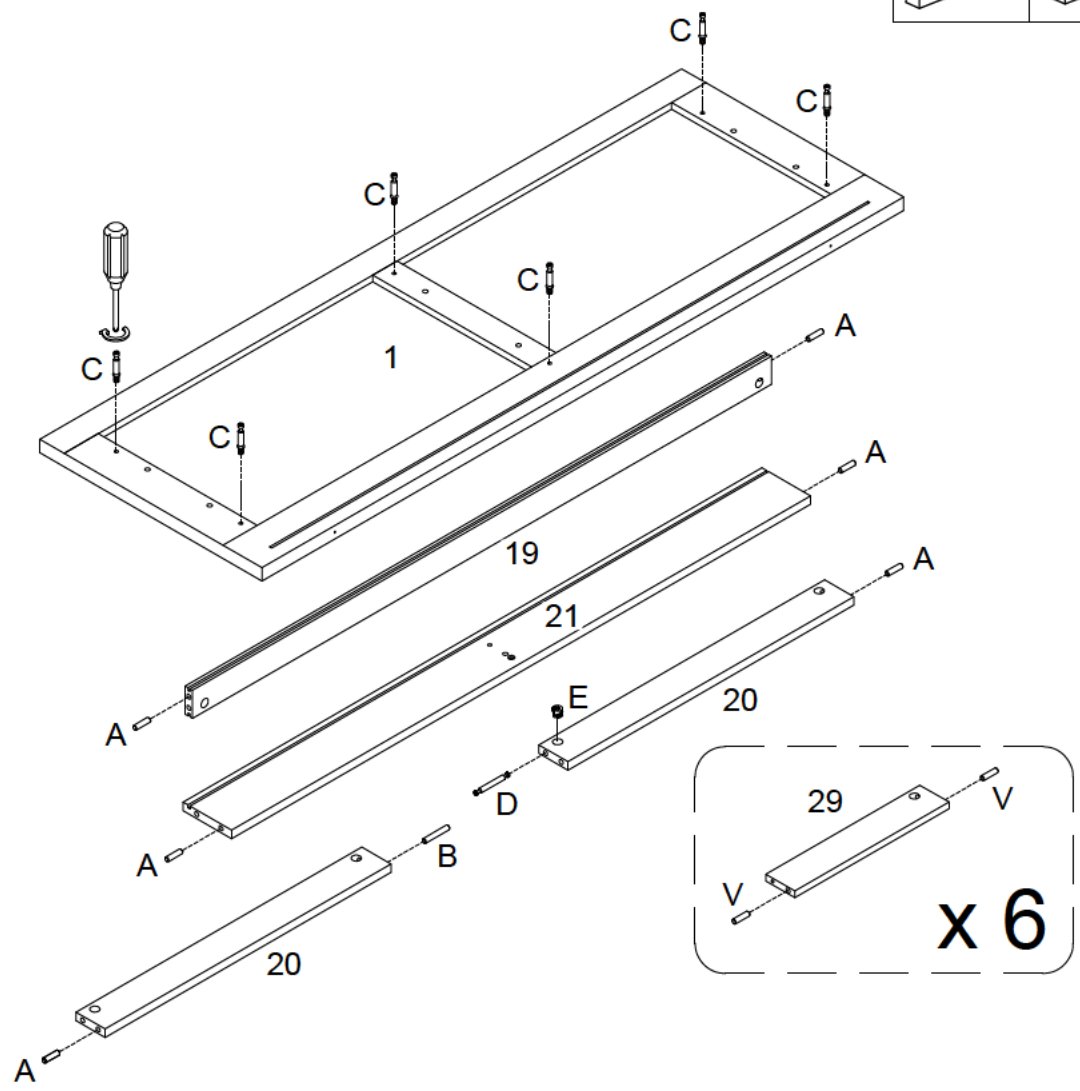
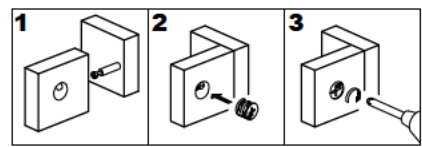
3 pcs



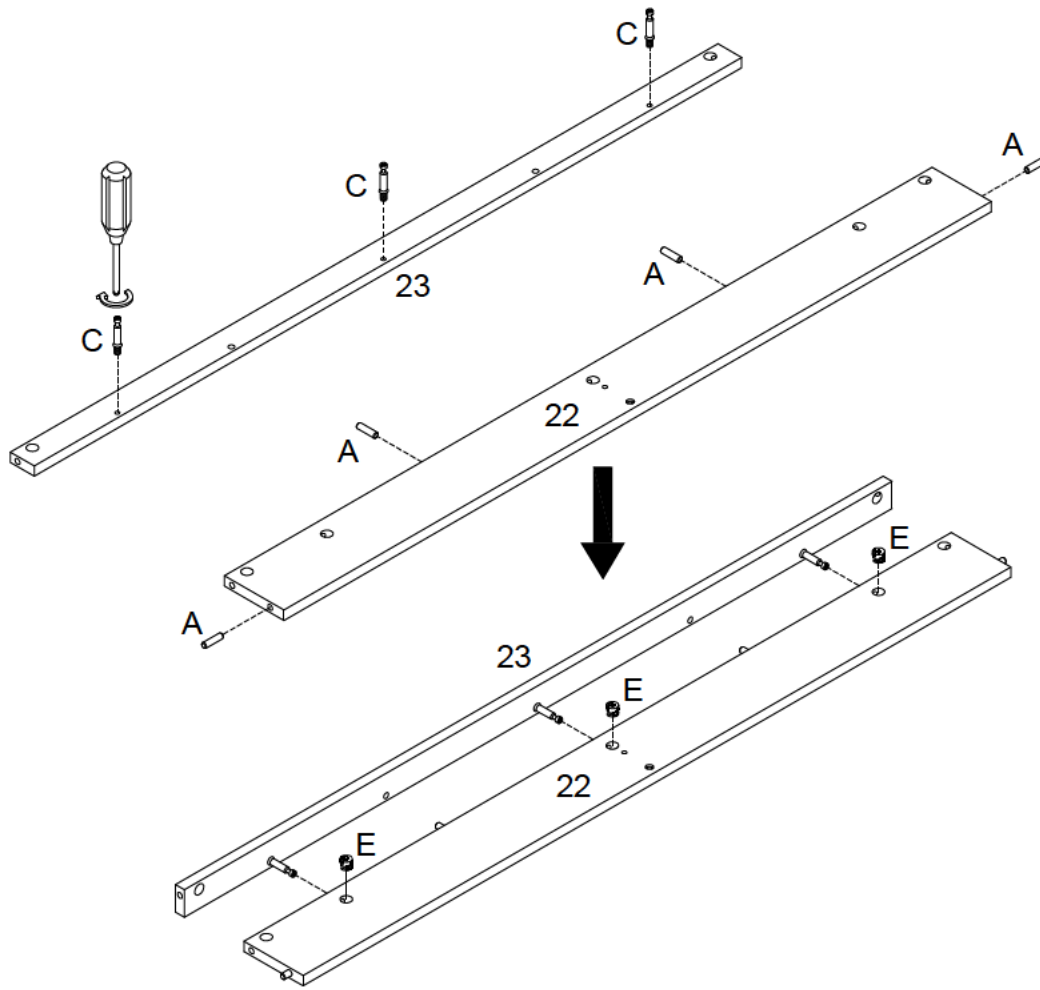
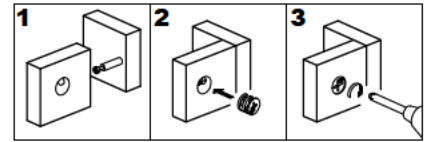
Philips head screwdriver required for assembly  
(not included)

*The hardware quantities listed above are required for proper assembly.  
Some extra hardware may also have been included.*

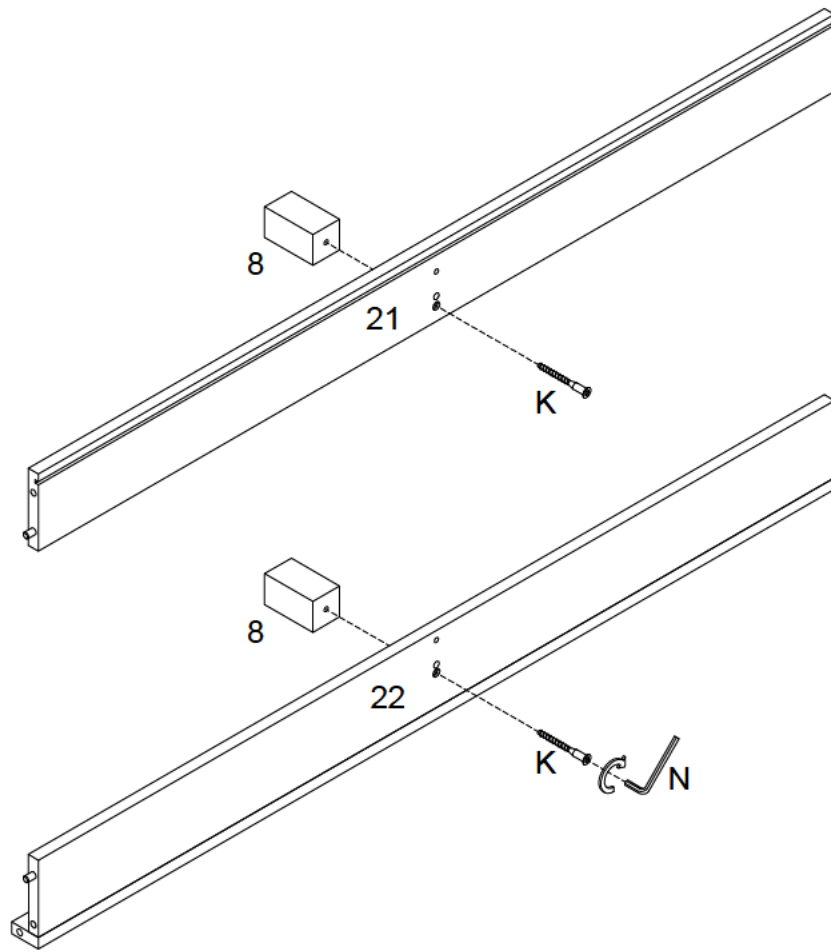
# Step 1



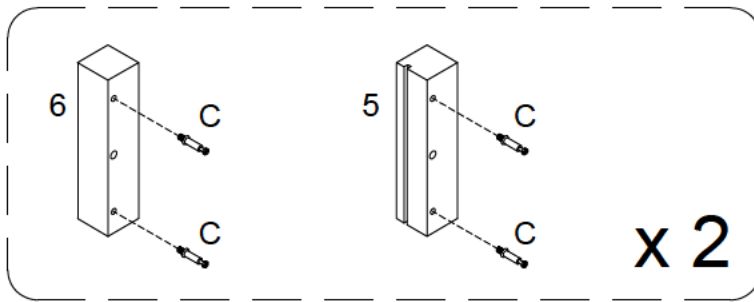
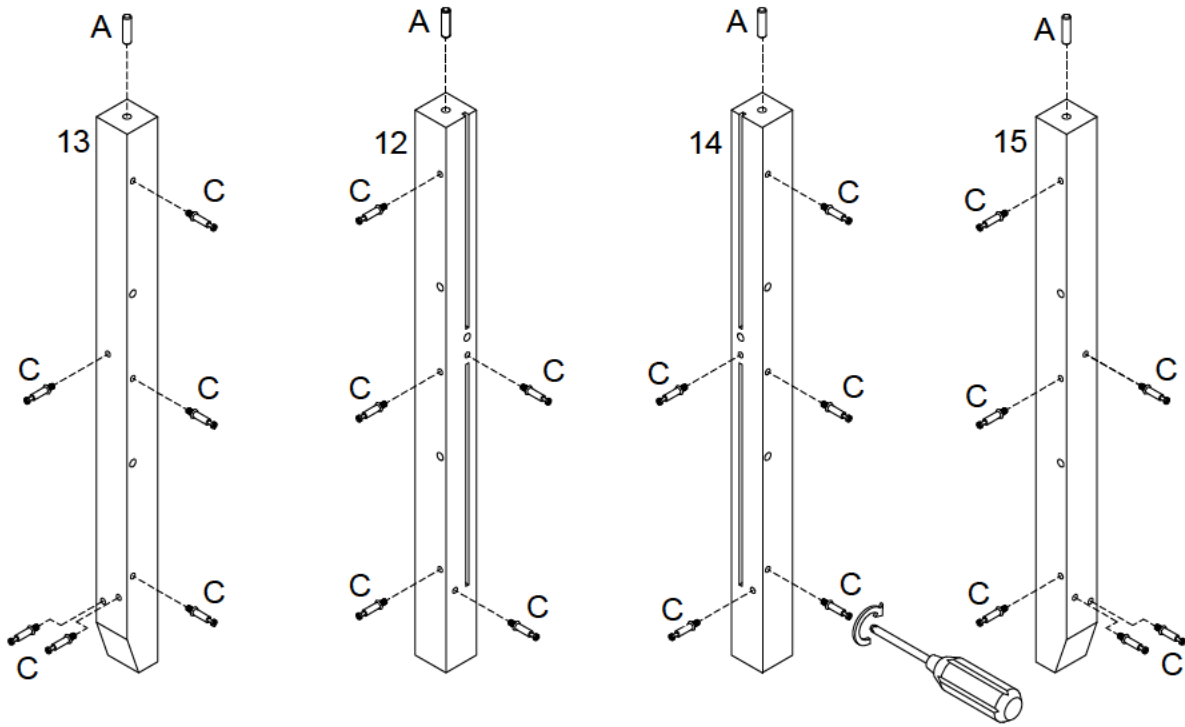
# Step 2



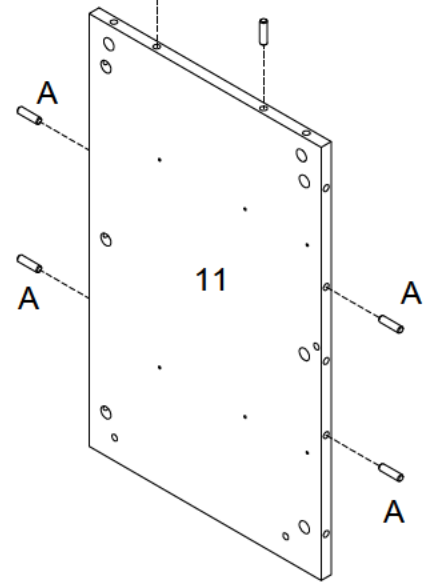
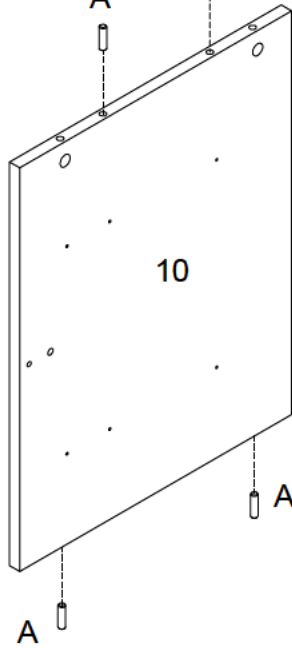
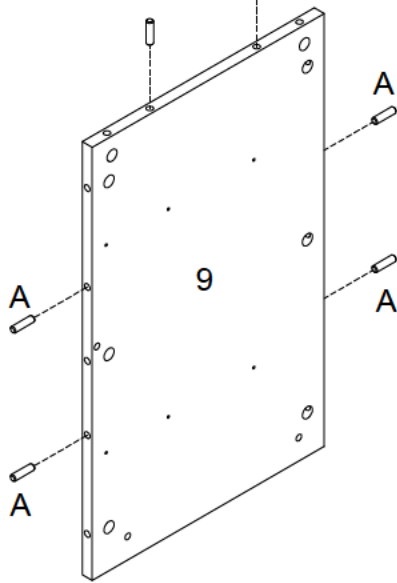
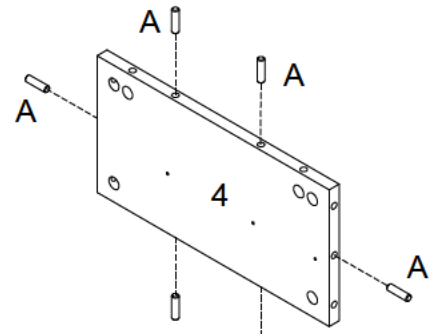
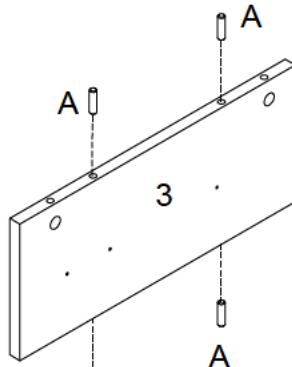
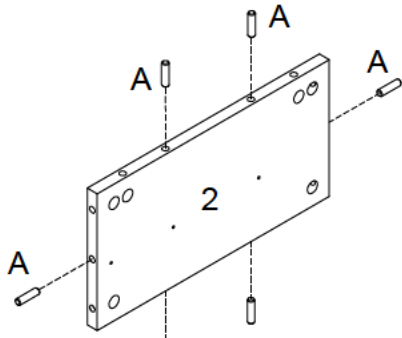
# Step 3



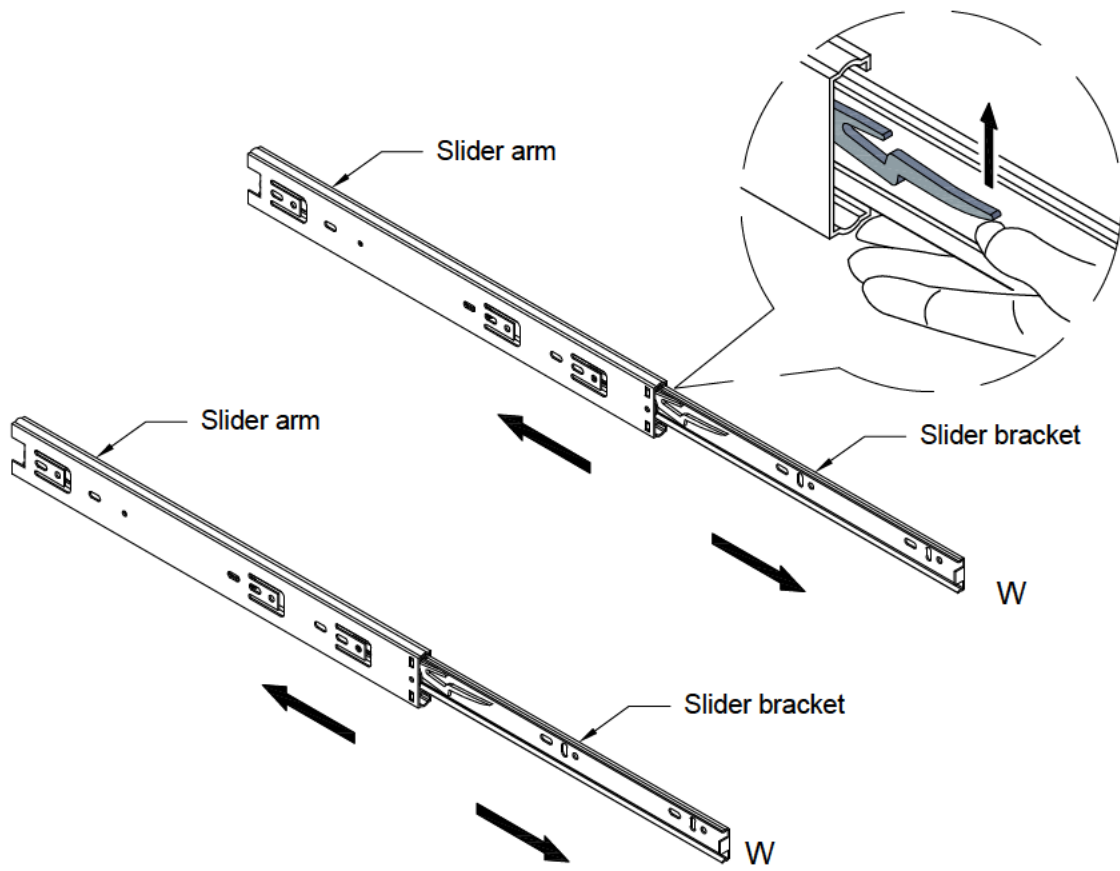
# Step 4



# Step 5

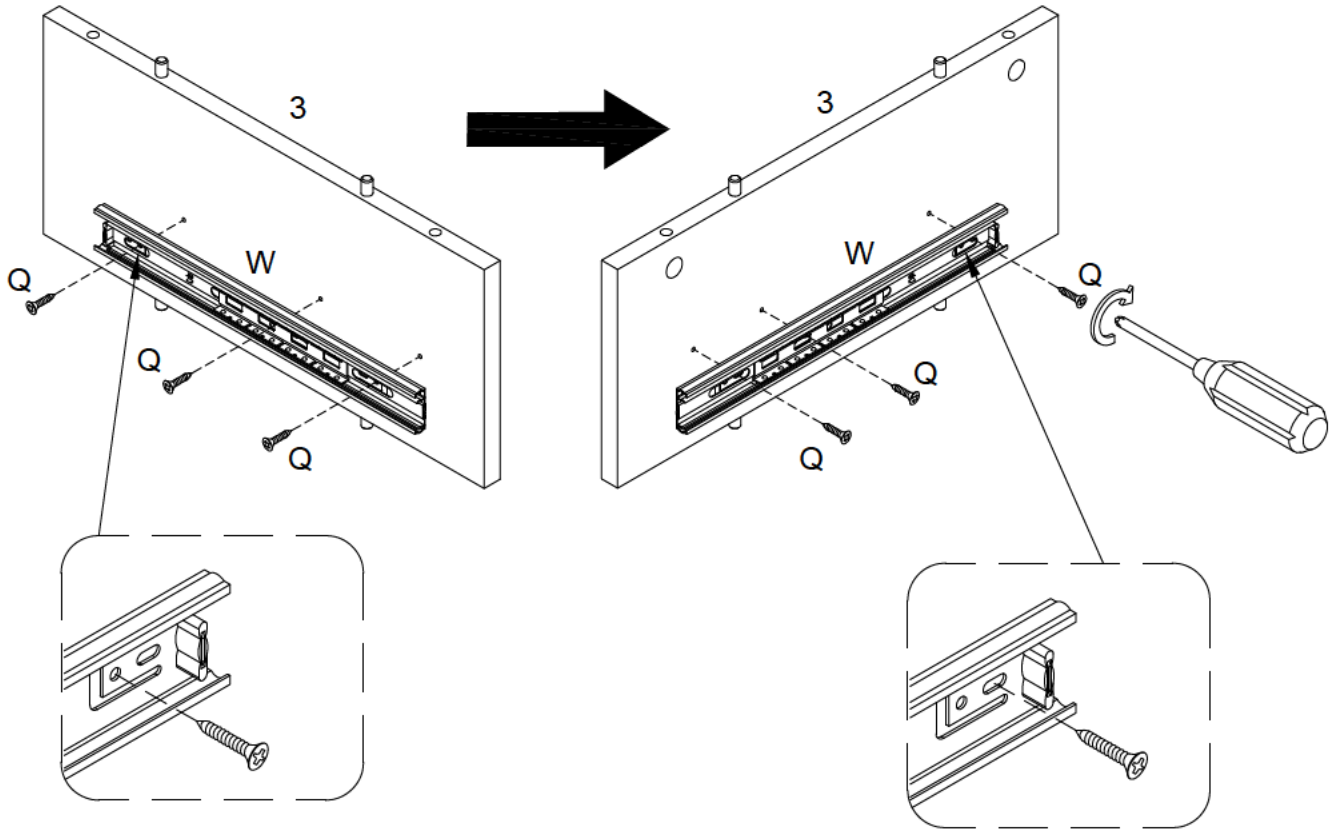


# Step 6

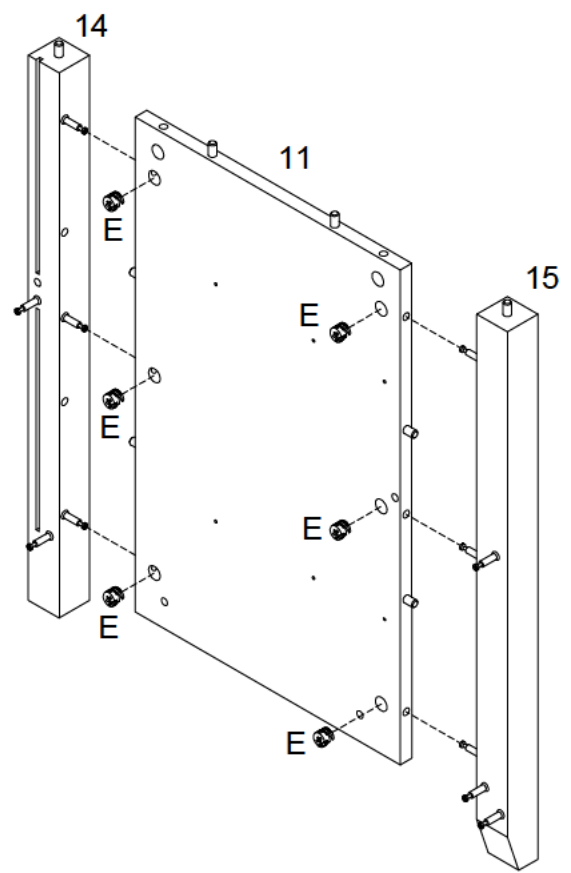
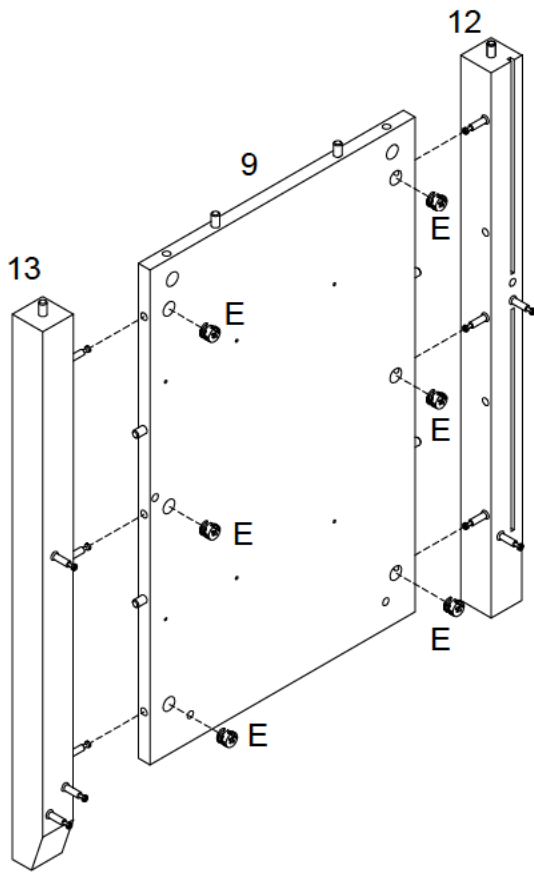
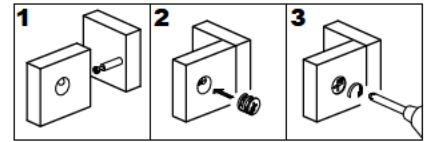




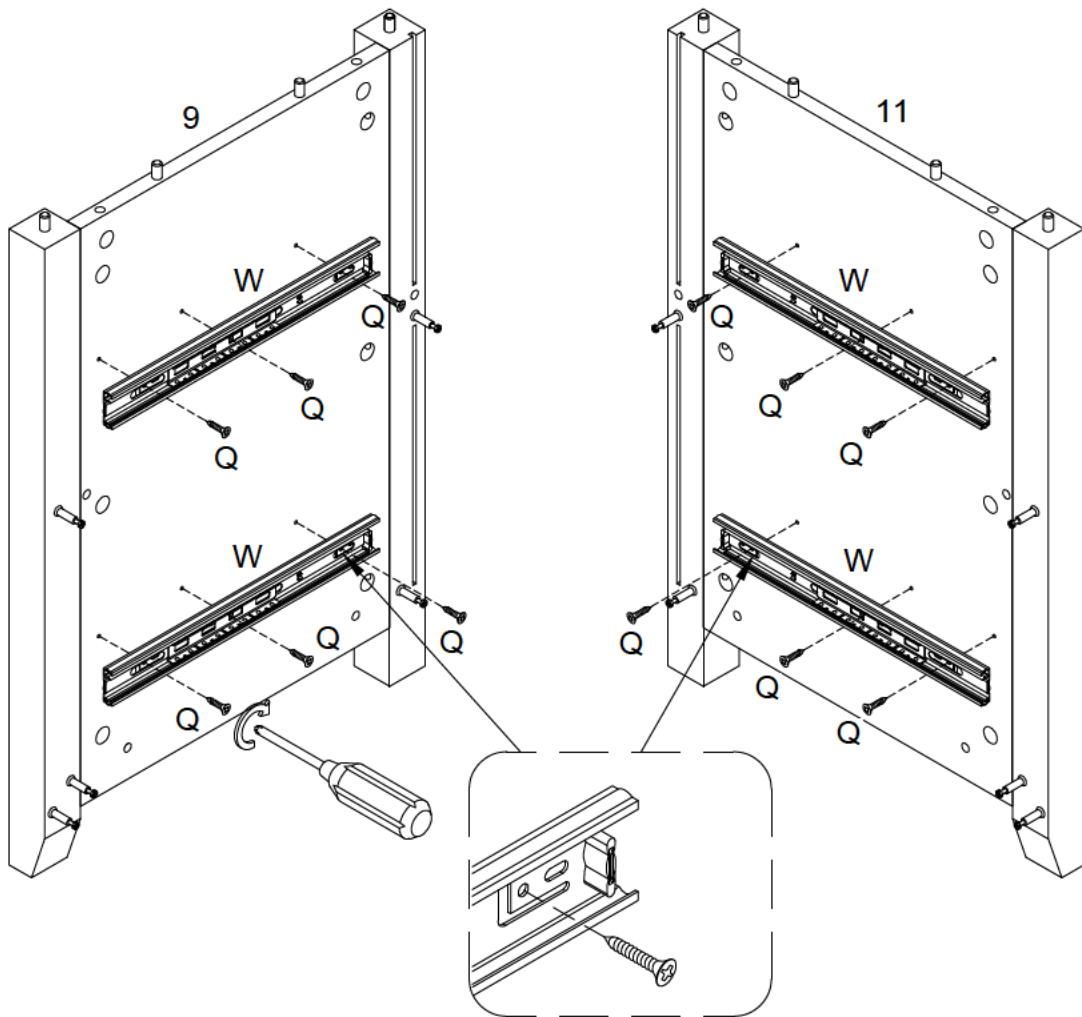
# Step 8



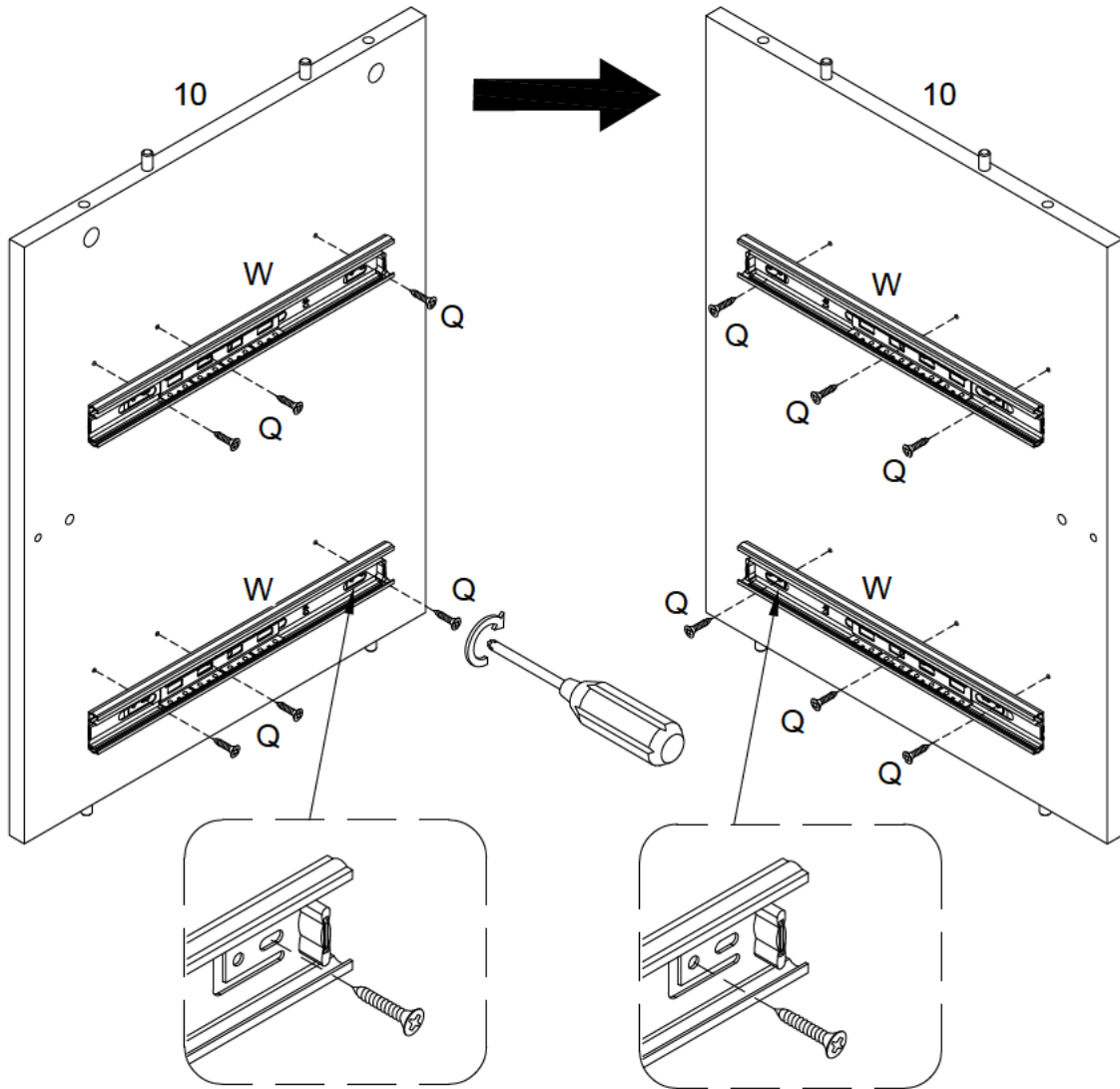
# Step 9



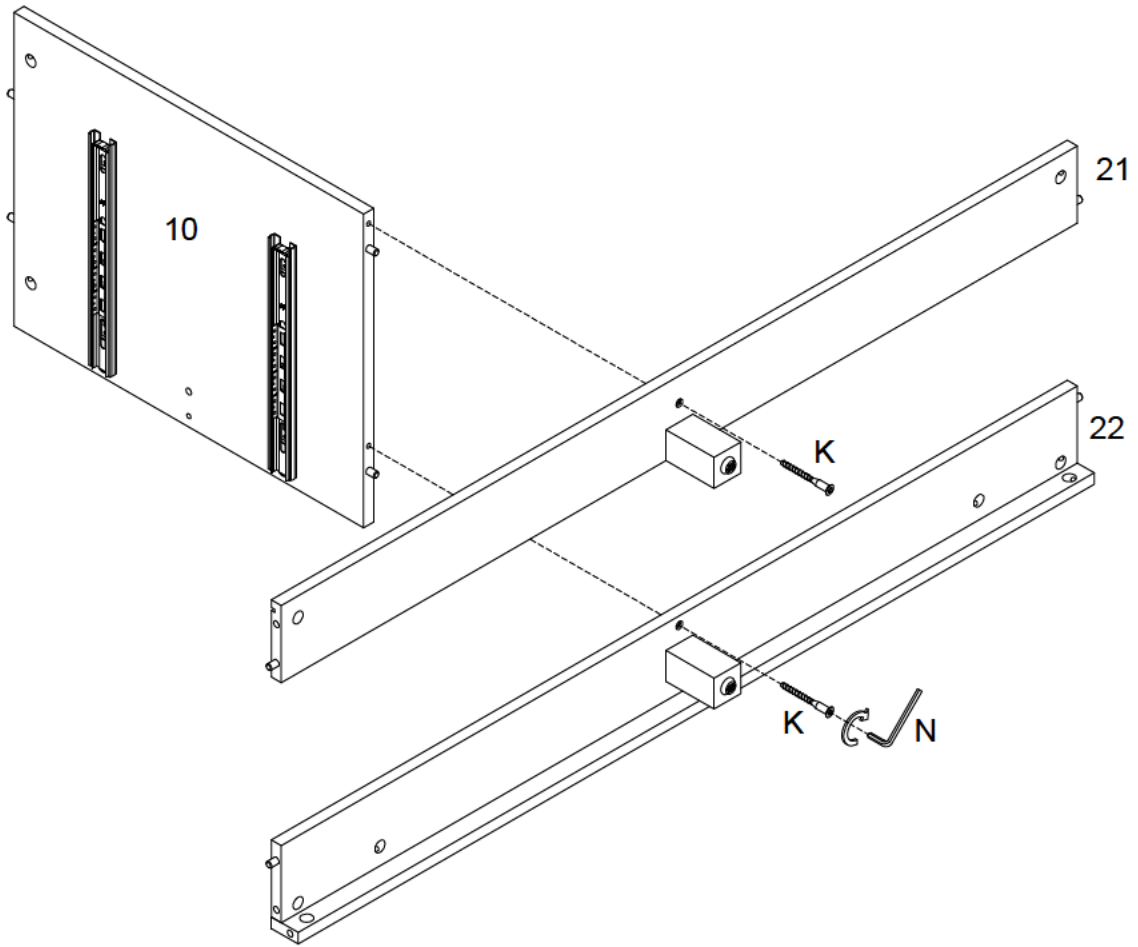
# Step 10



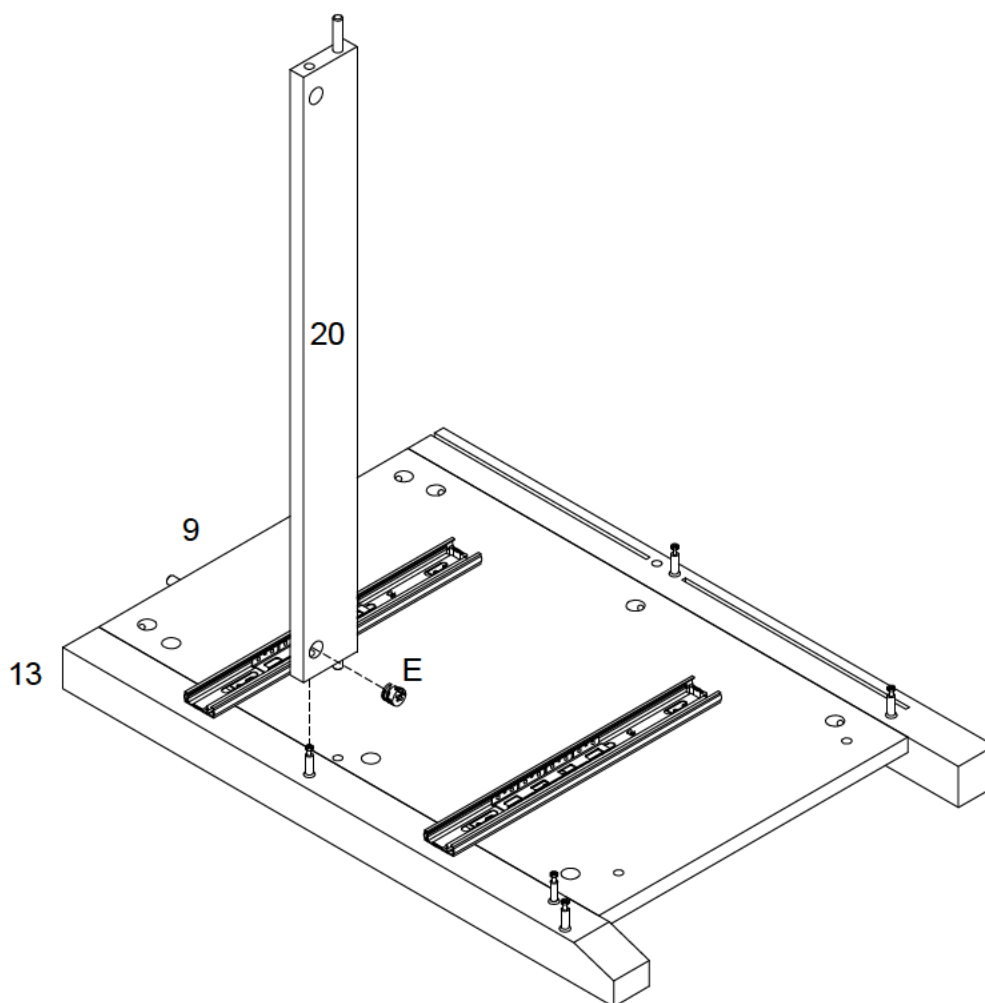
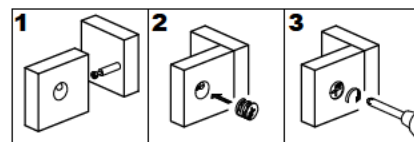
# Step 11



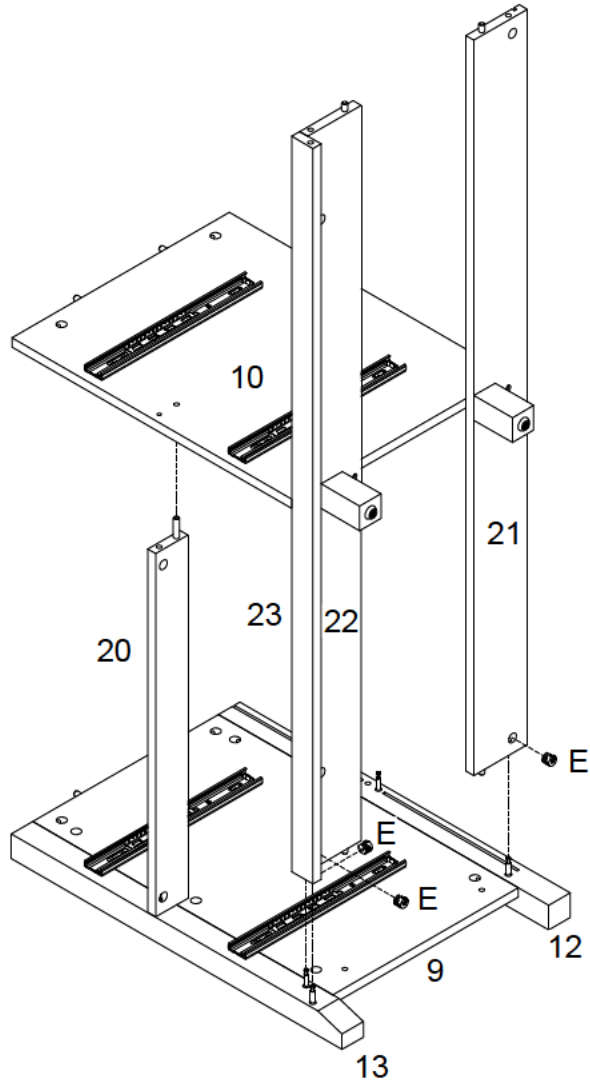
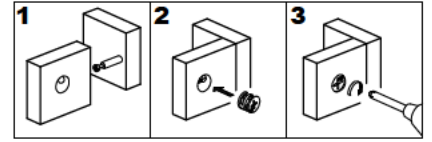
# Step 12



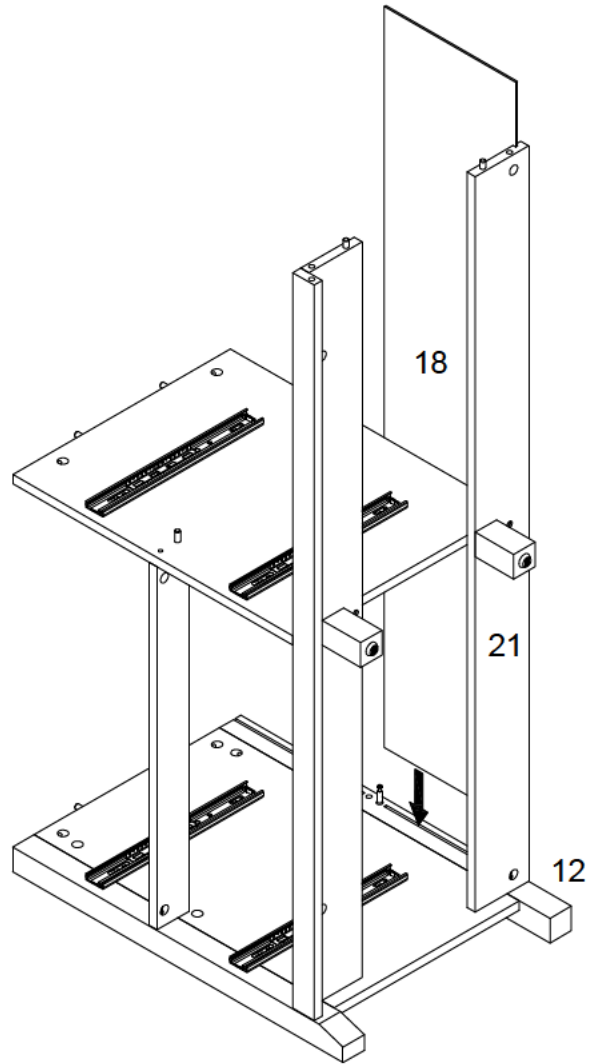
# Step 13



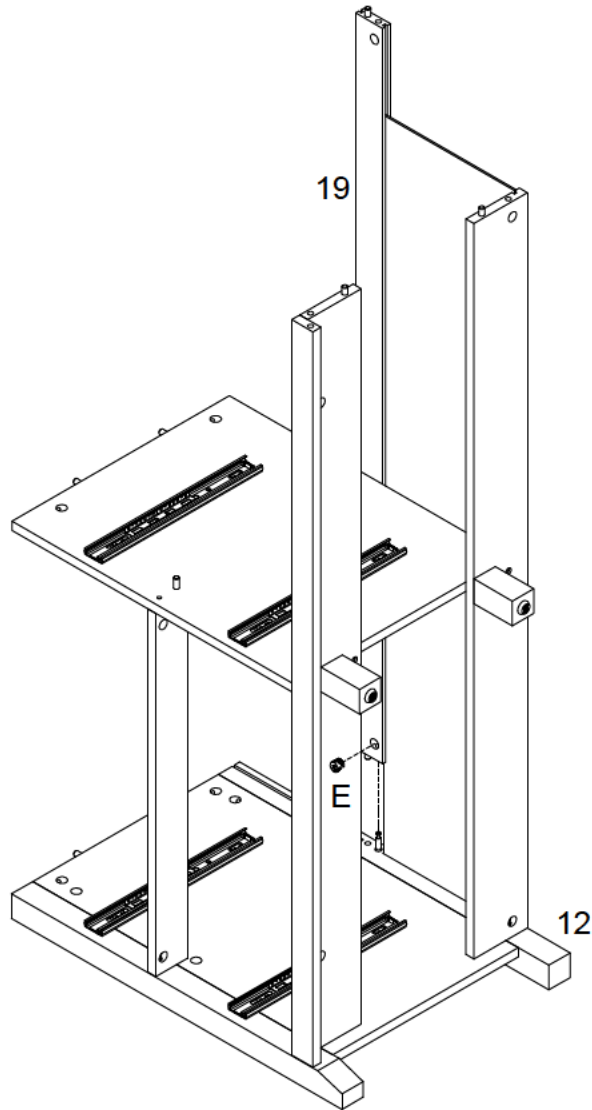
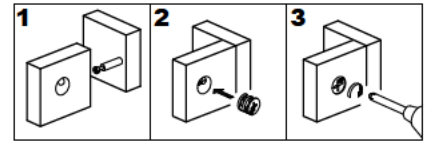
# Step 14



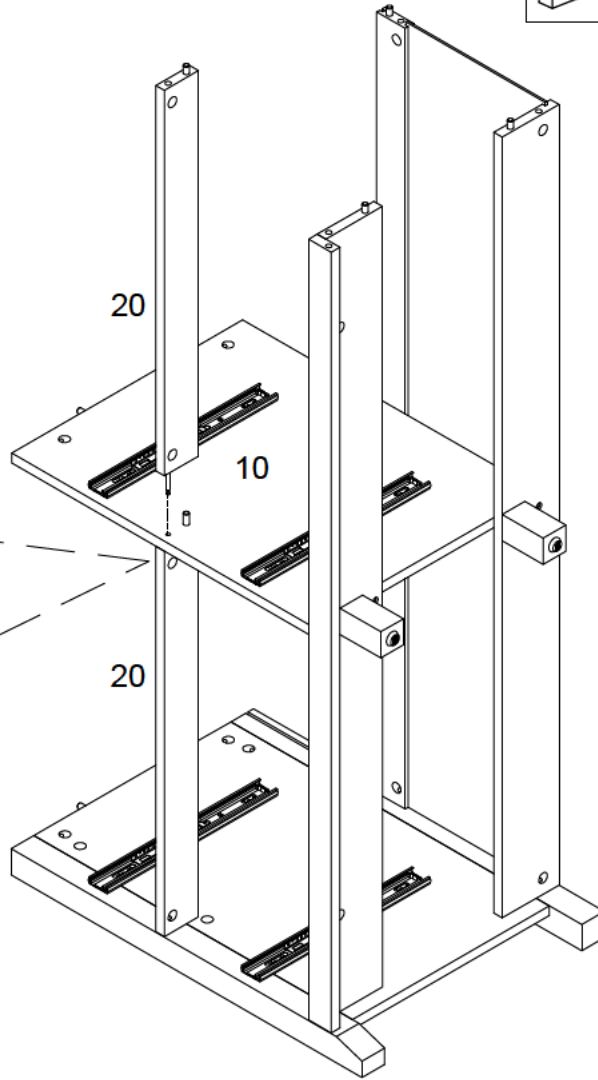
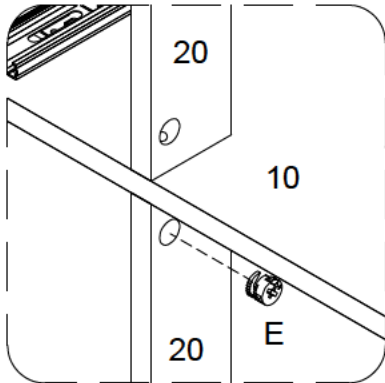
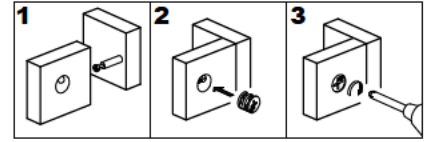
# Step 15



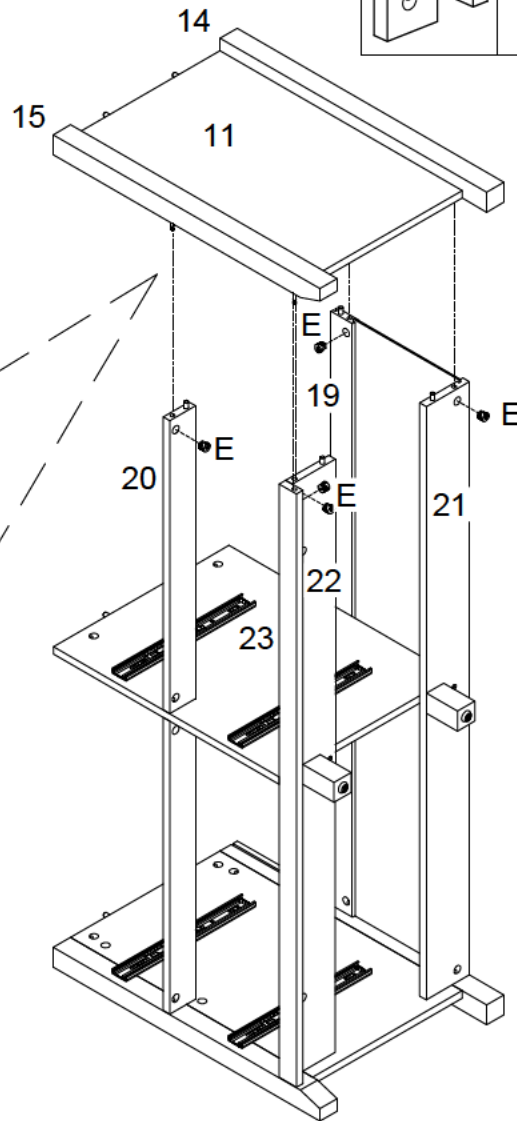
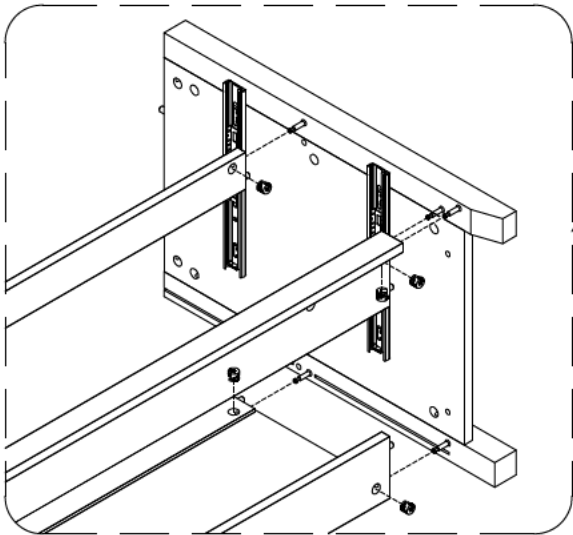
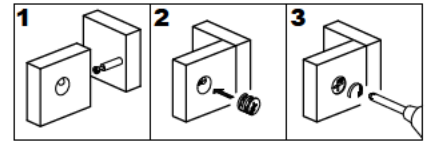
# Step 16



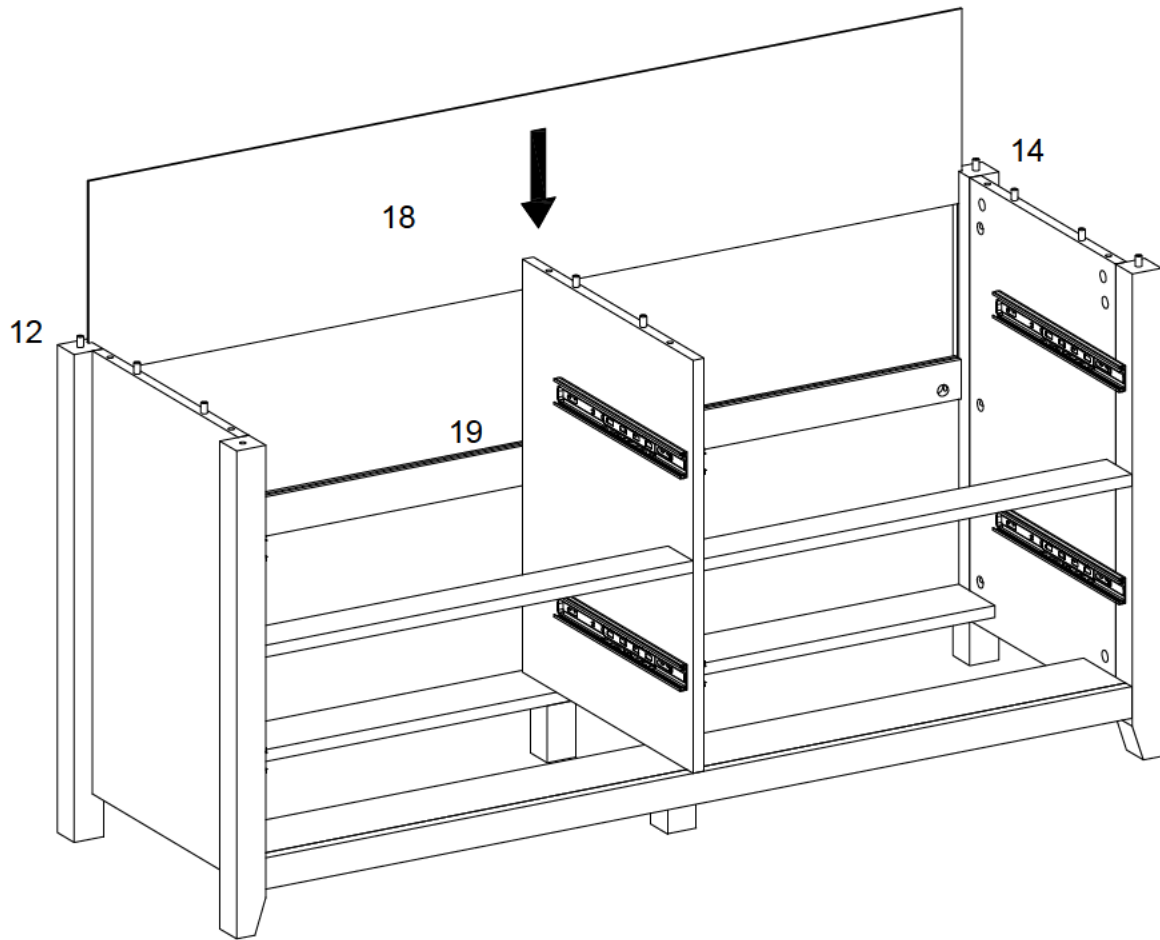
# Step 17



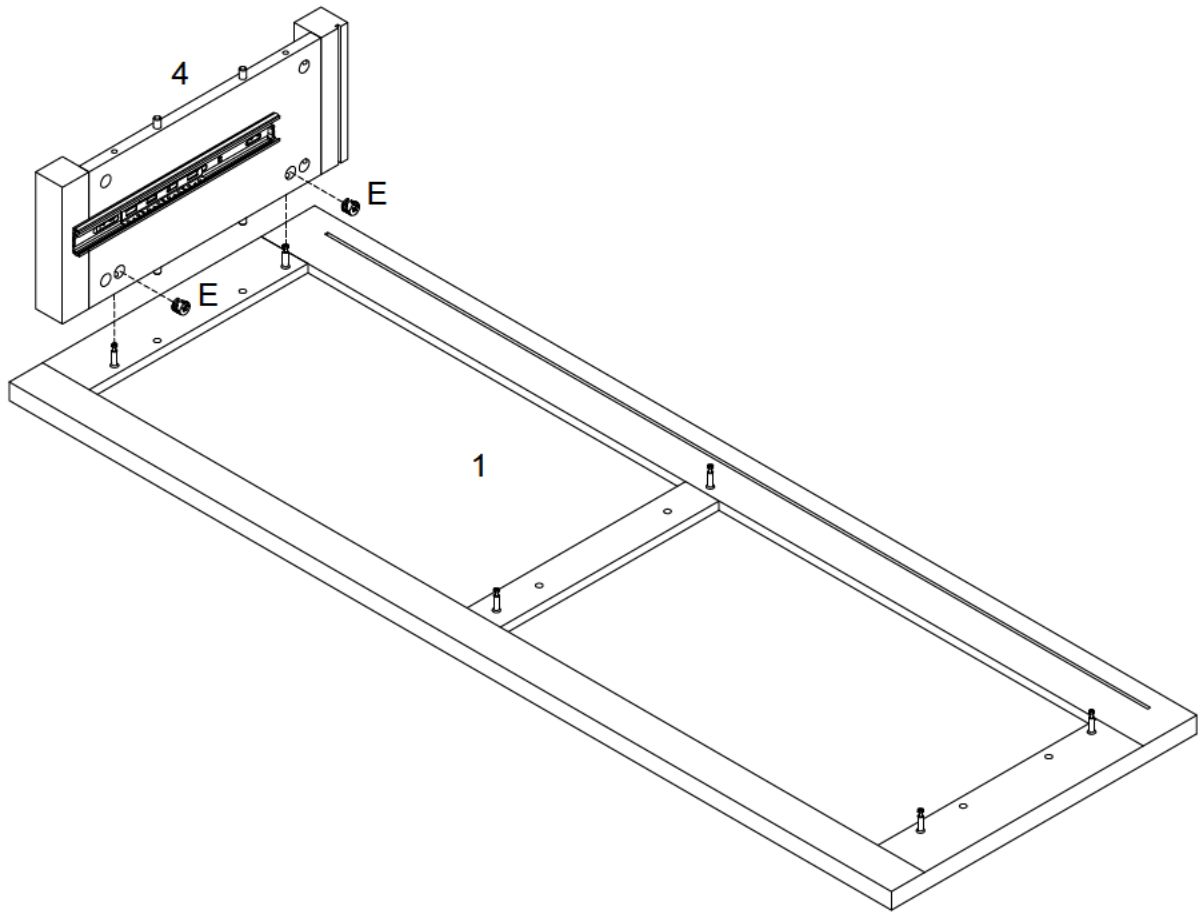
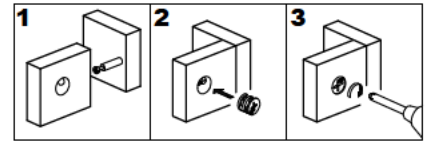
# Step 18



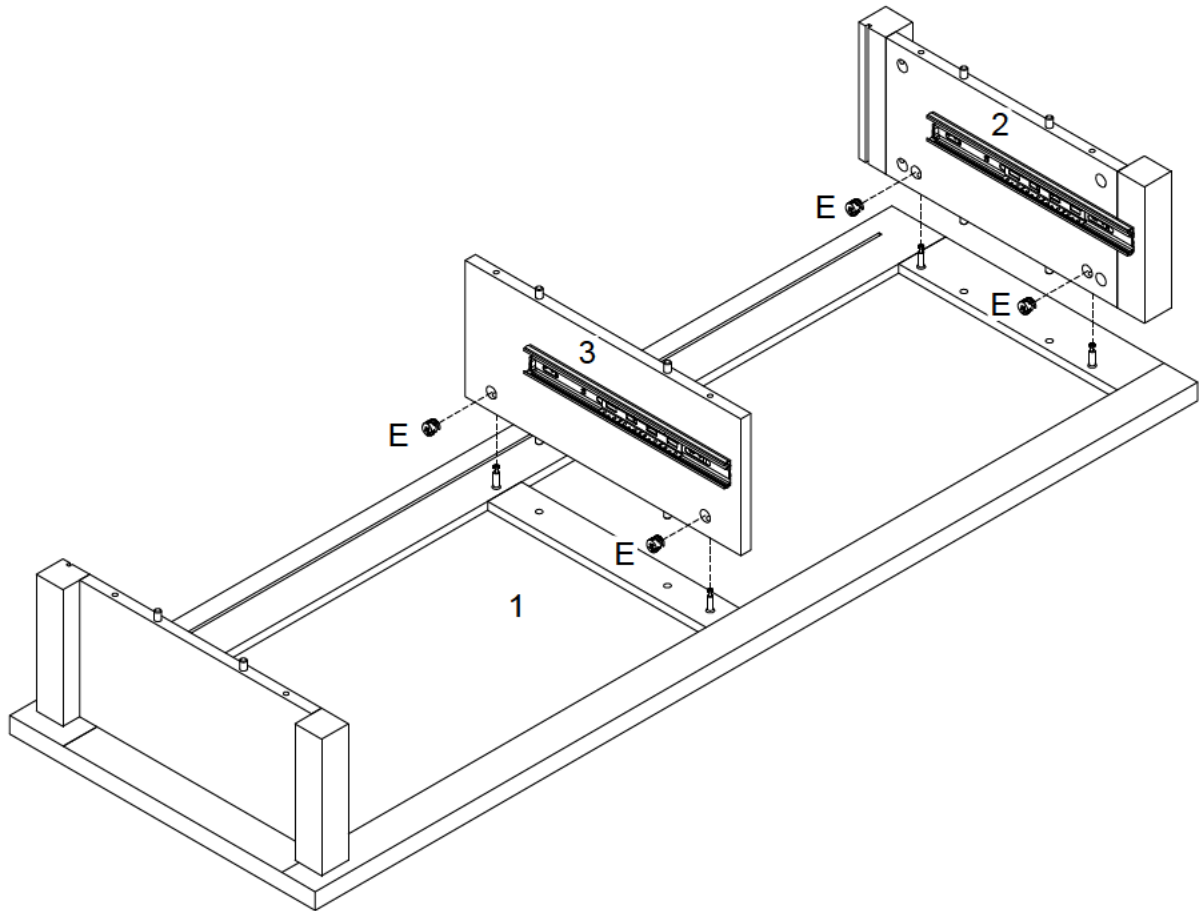
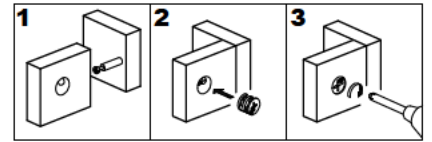
# Step 19



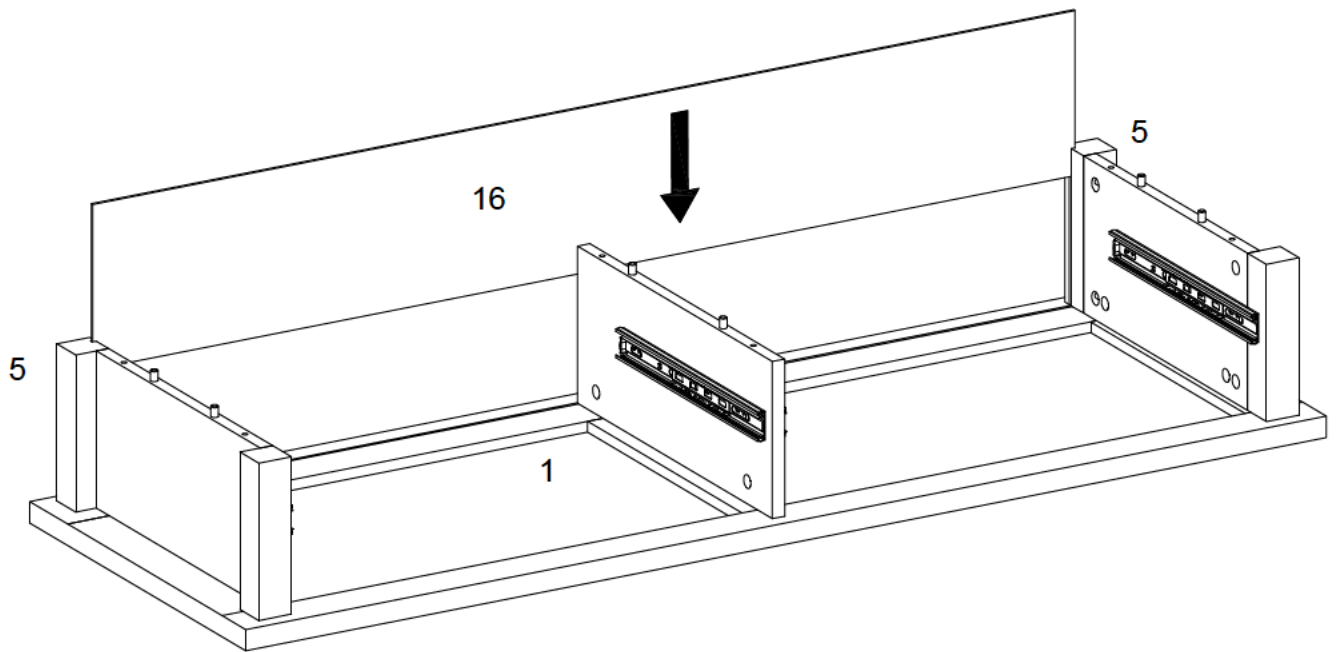
# Step 20



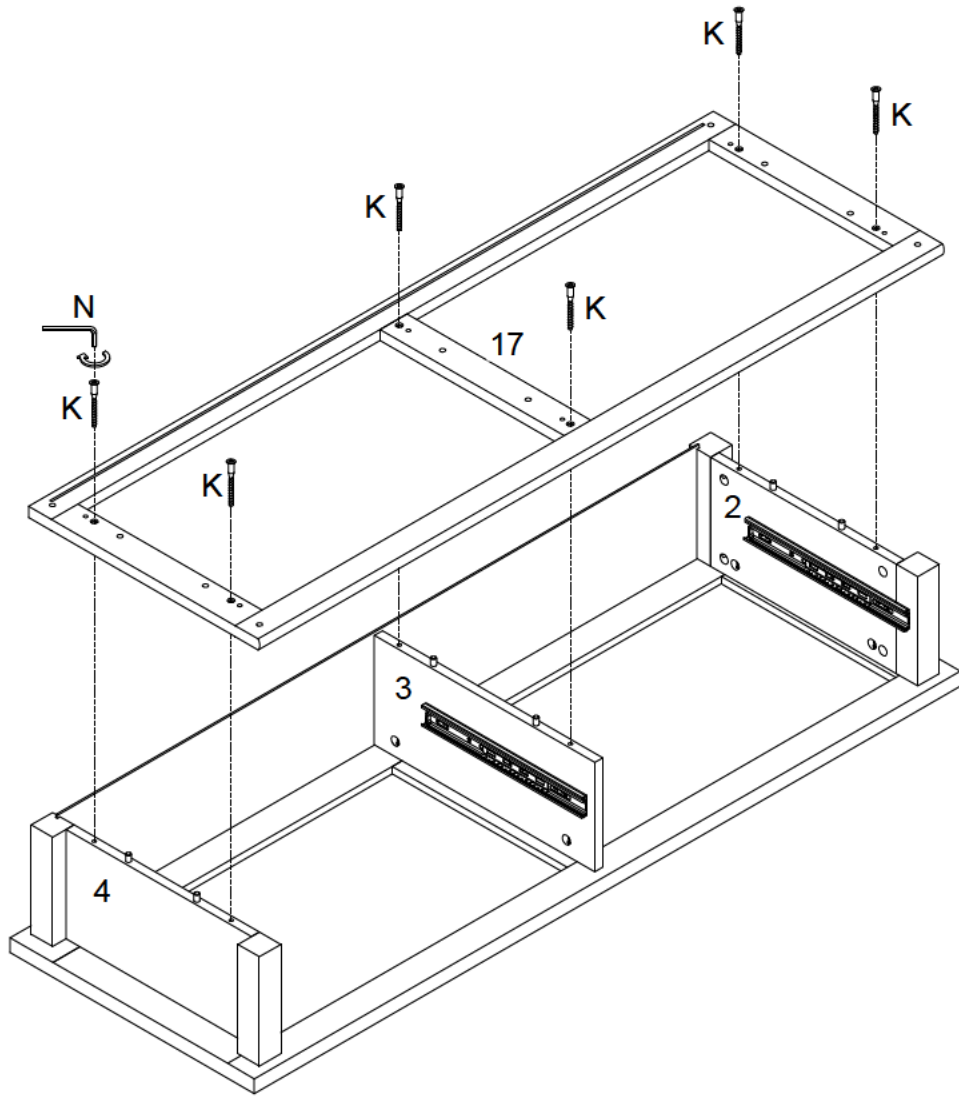
# Step 21



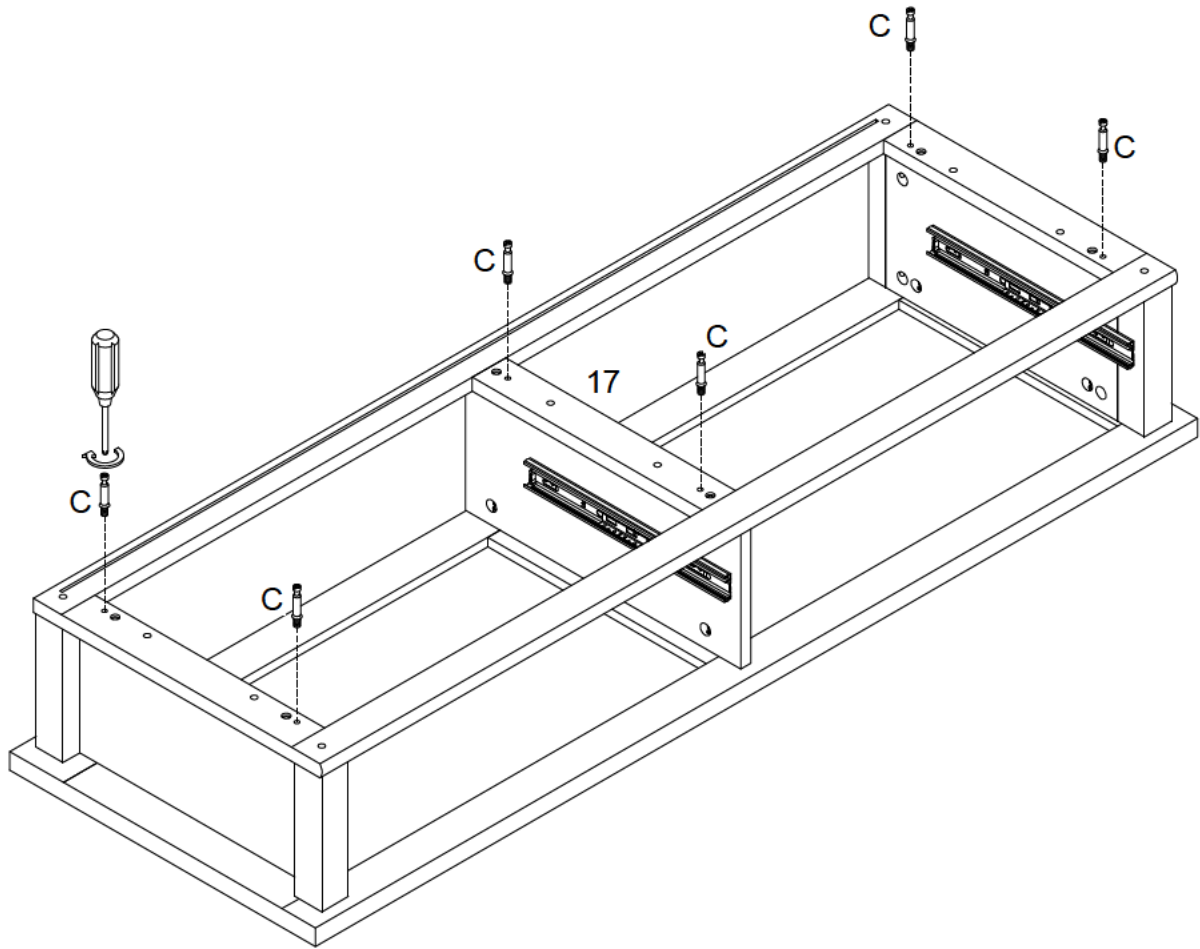
# Step 22



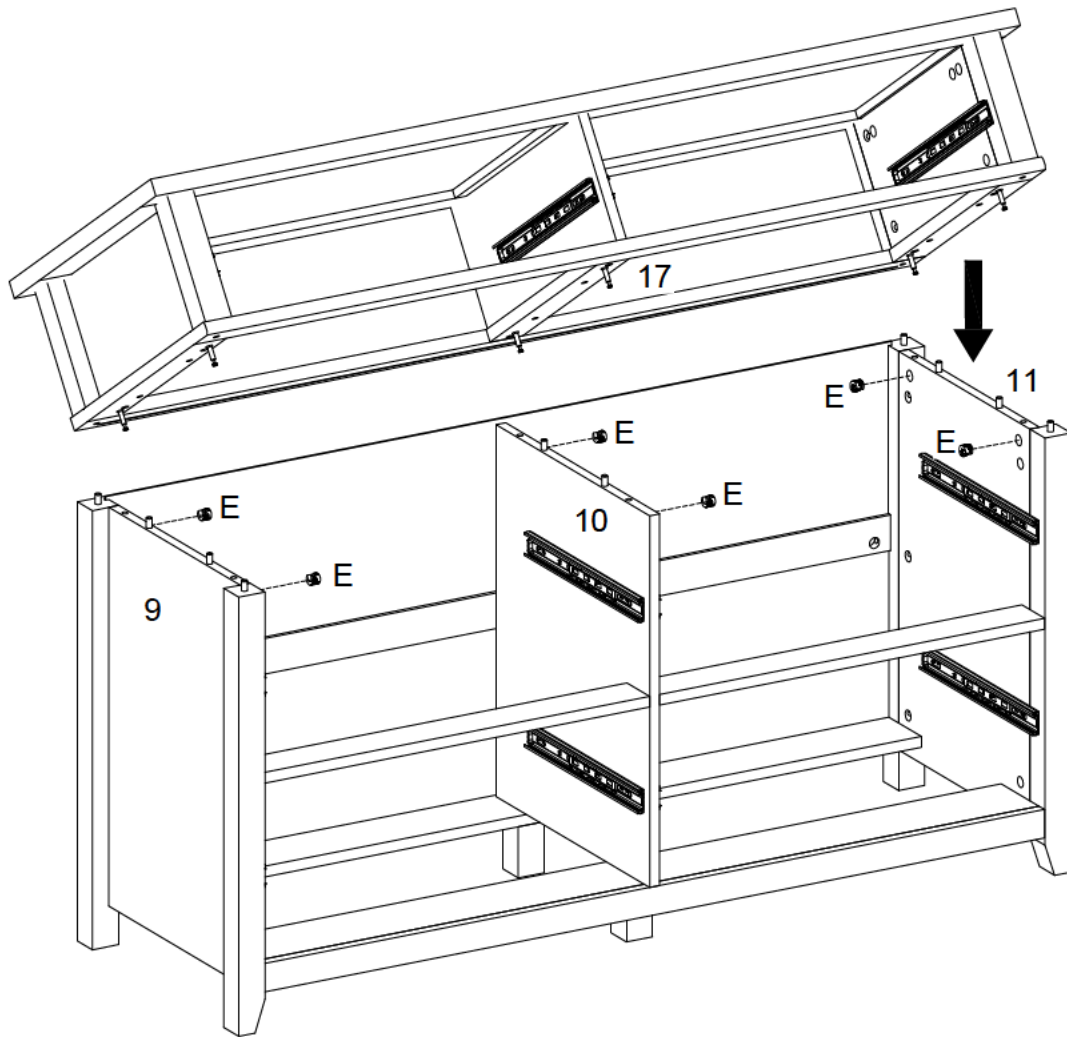
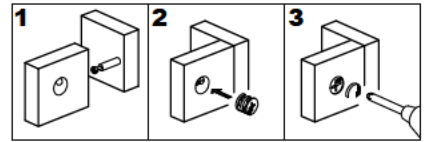
# Step 23



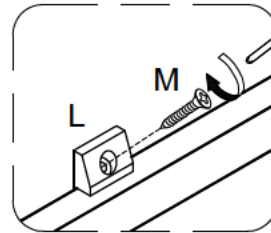
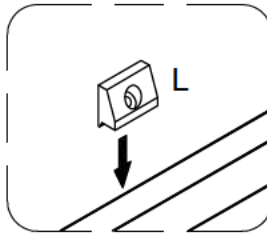
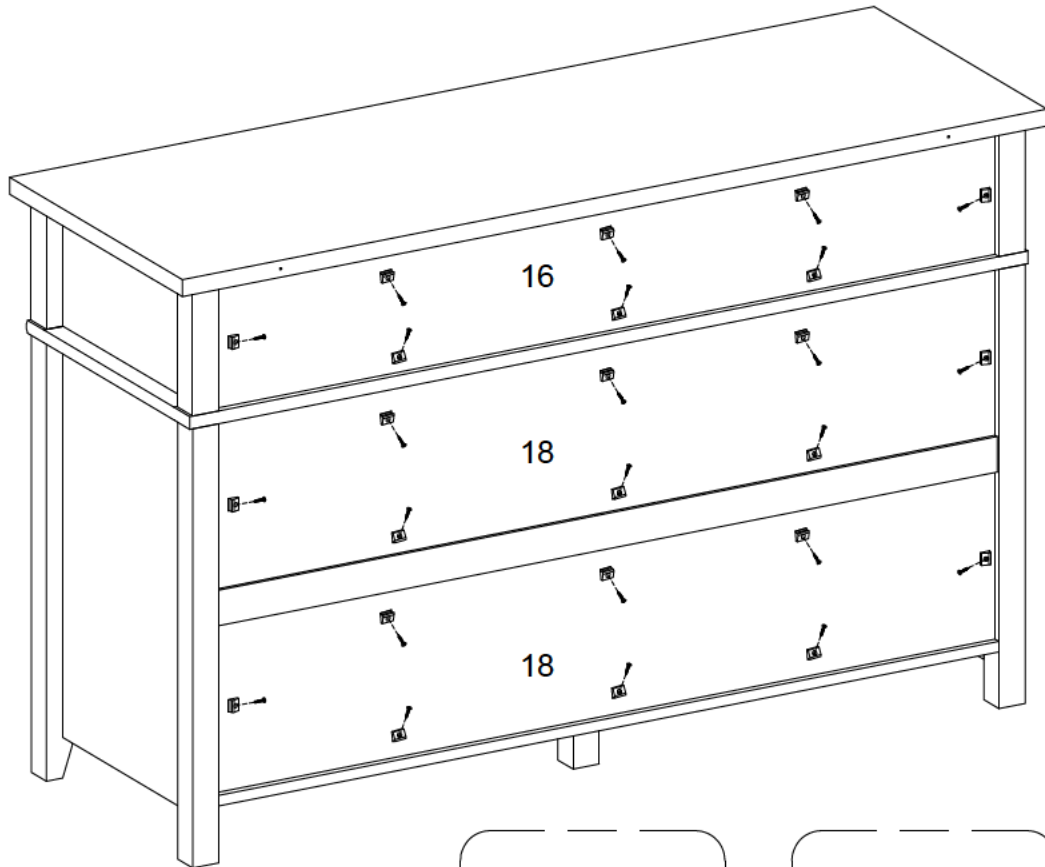
# Step 24



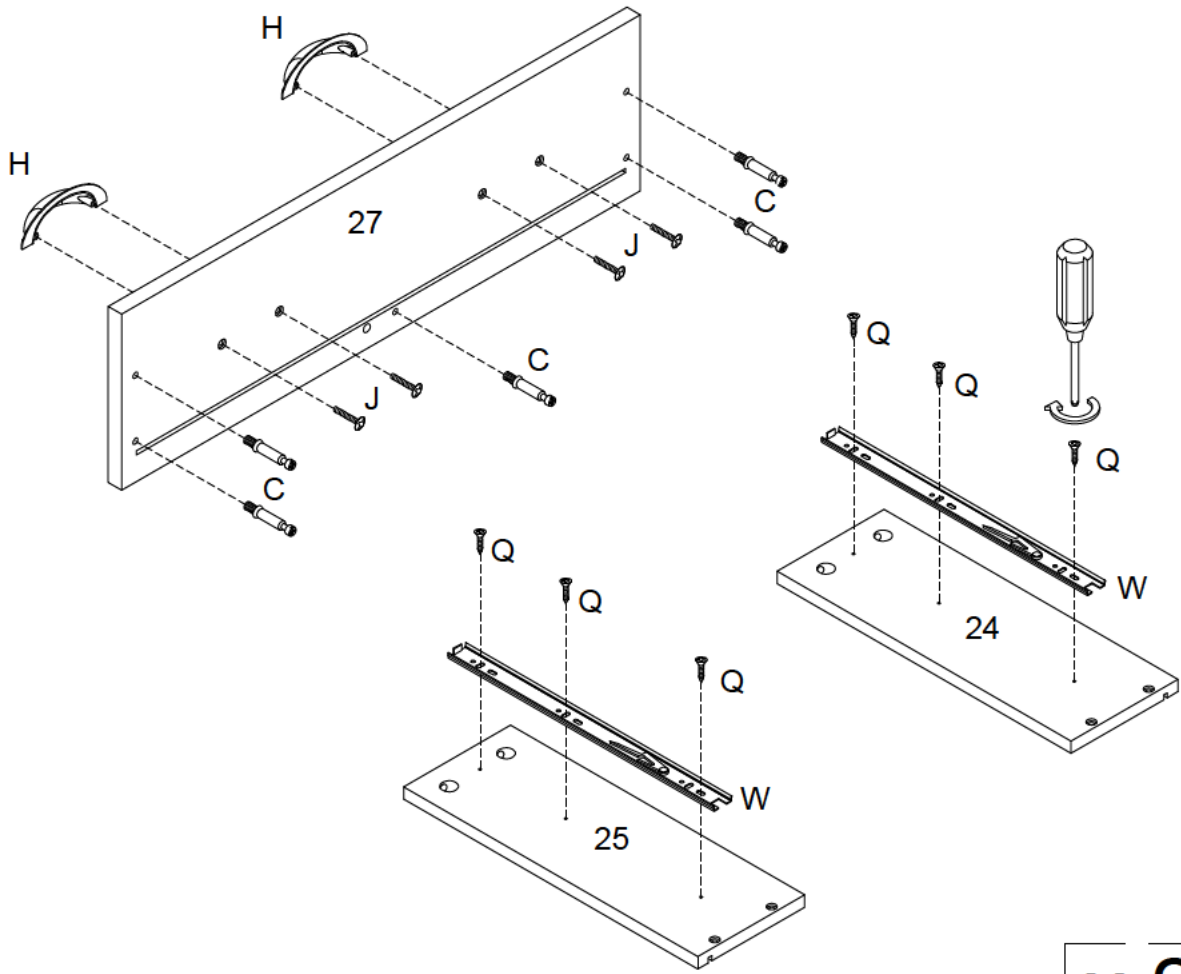
# Step 25



# Step 26

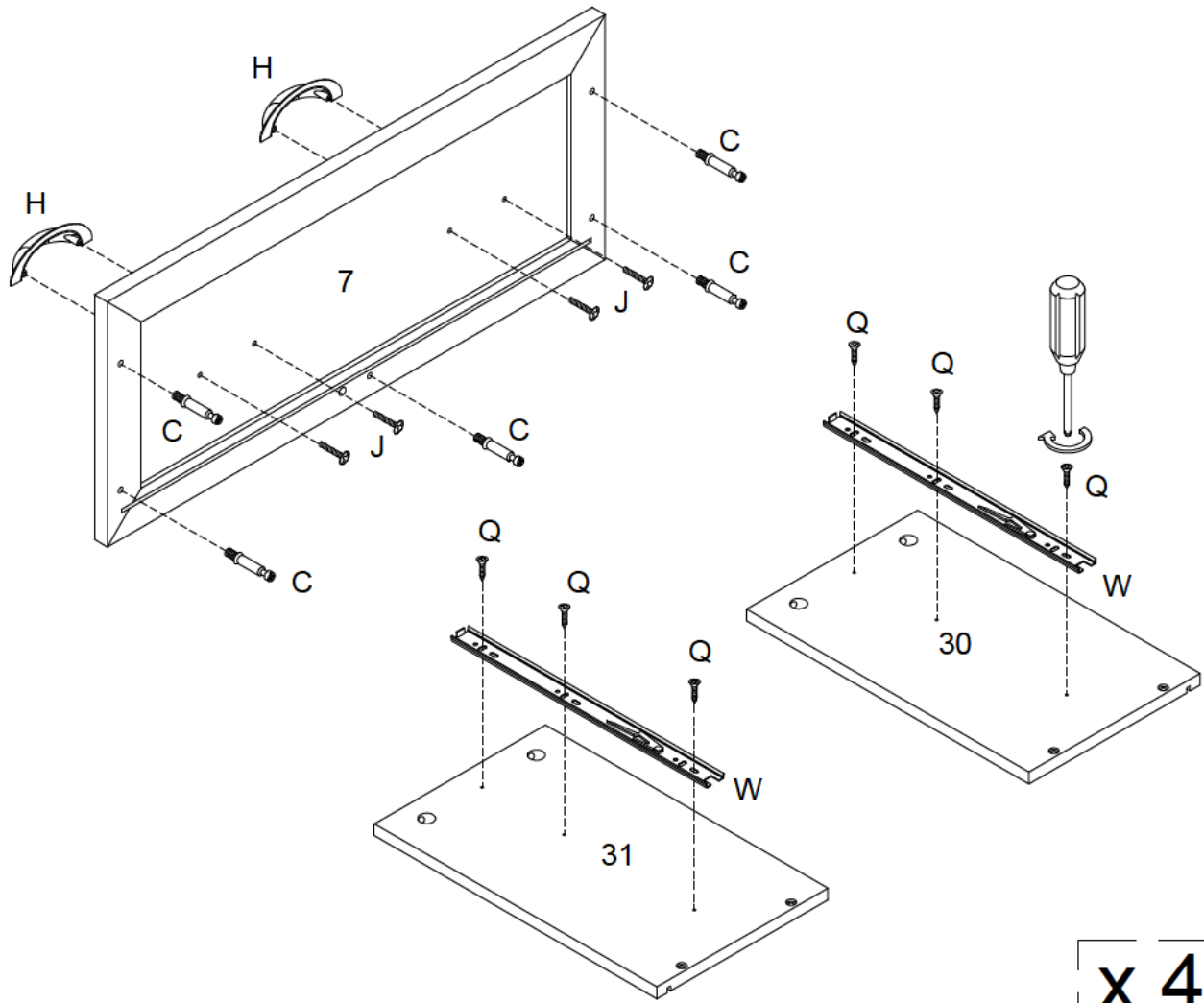


# Step 27

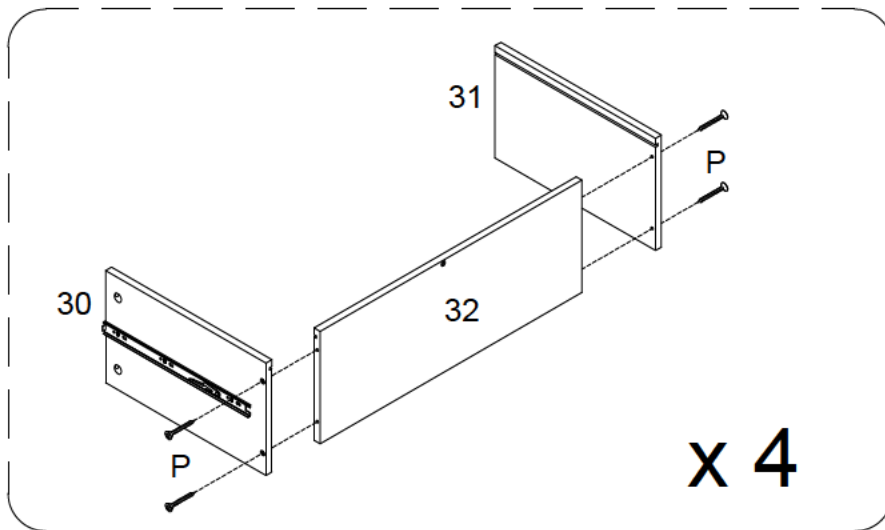
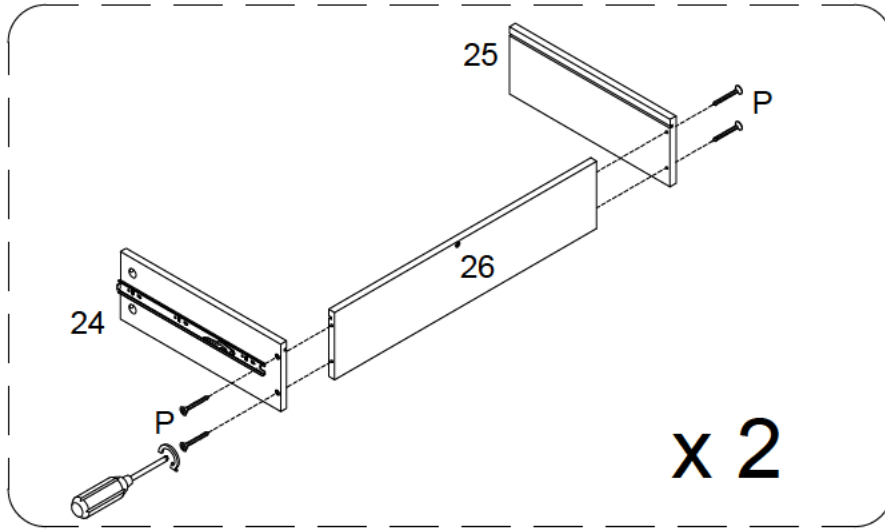


x 2

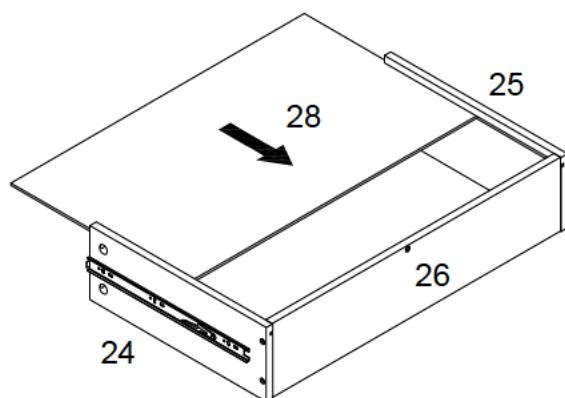
# Step 28



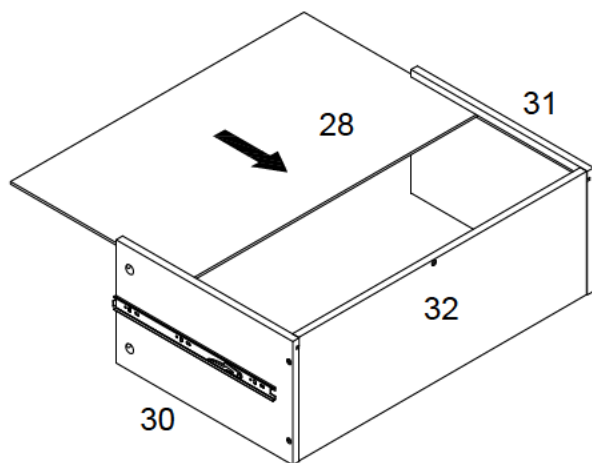
# Step 29



# Step 30

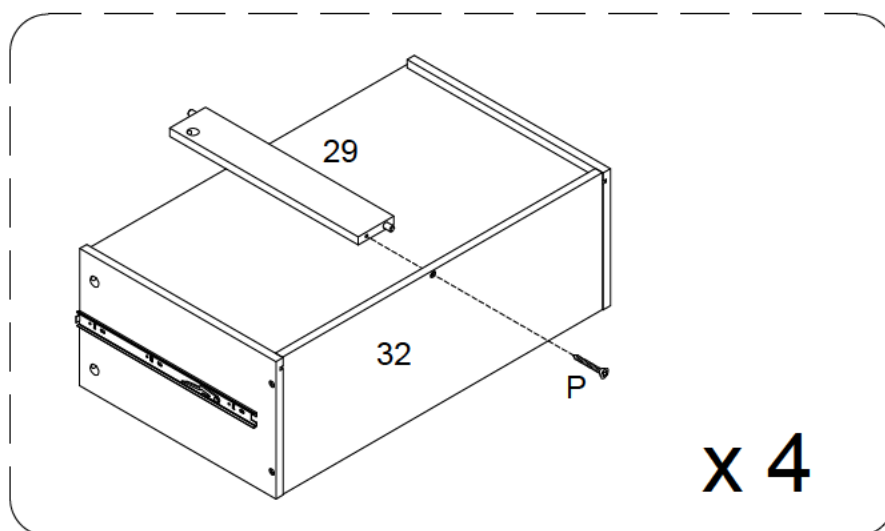
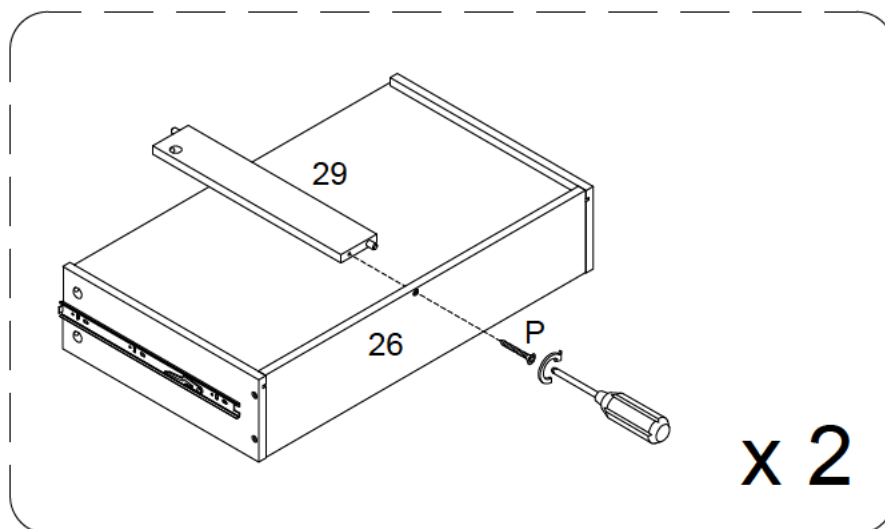


x 2

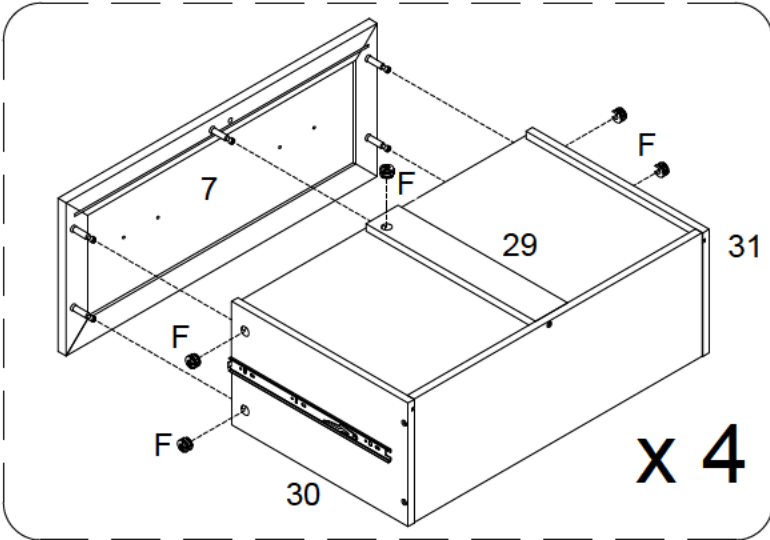
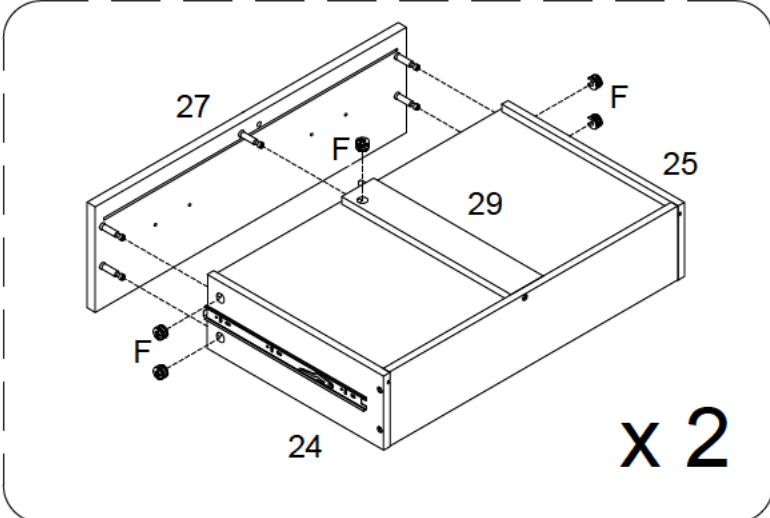
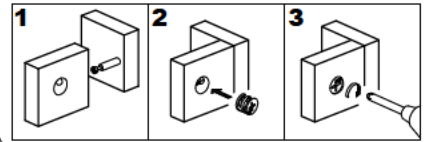


x 4

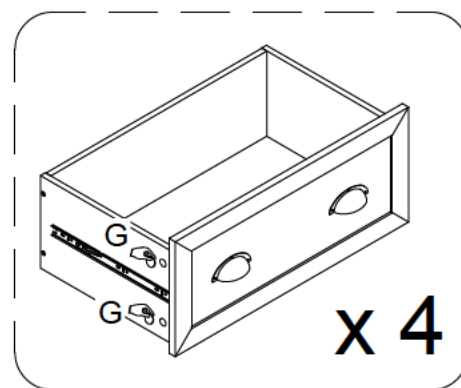
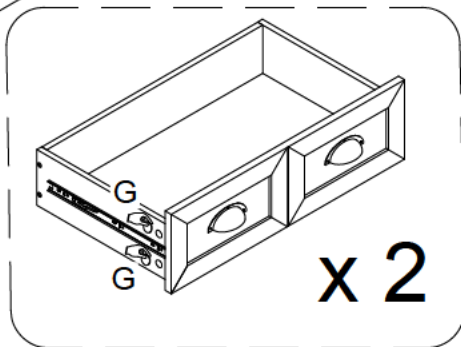
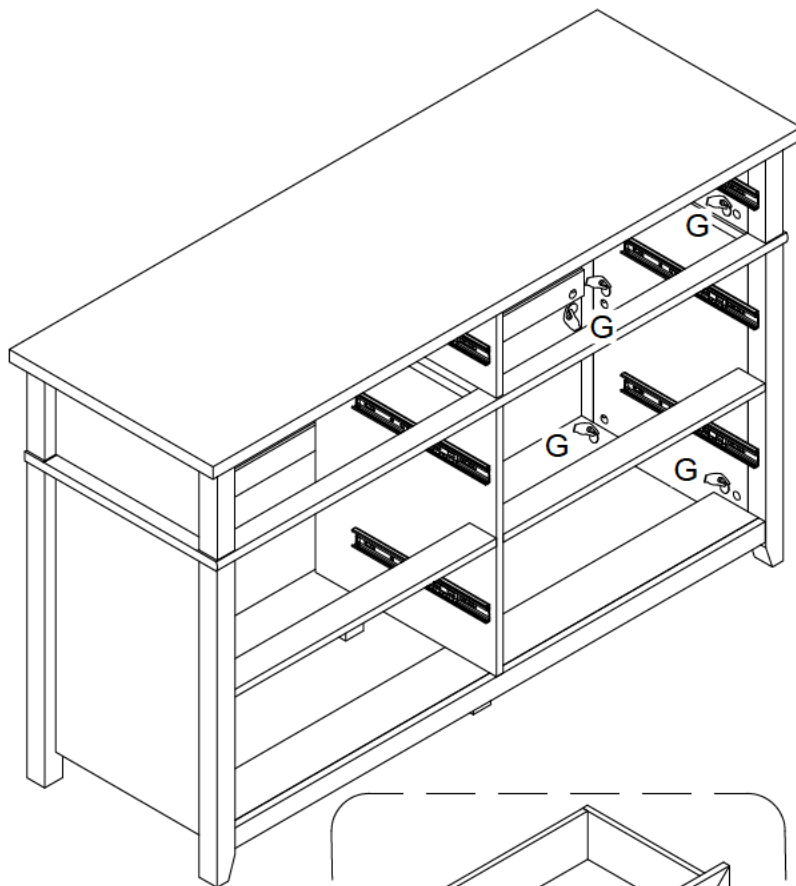
# Step 31



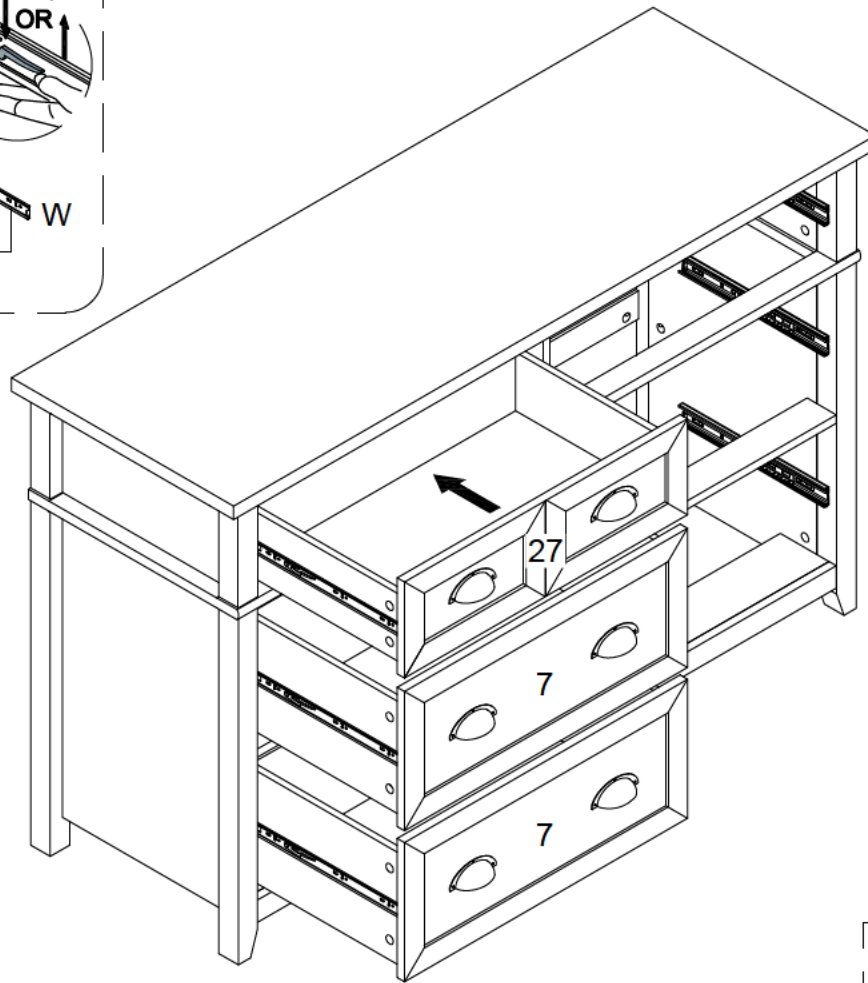
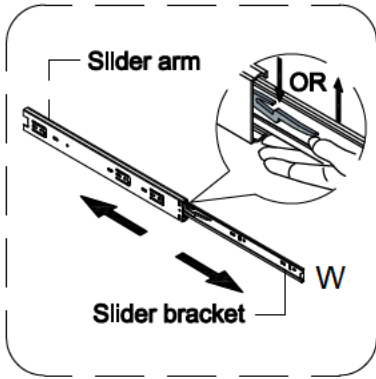
# Step 32



# Step 33

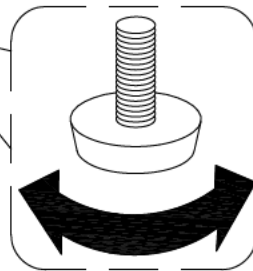
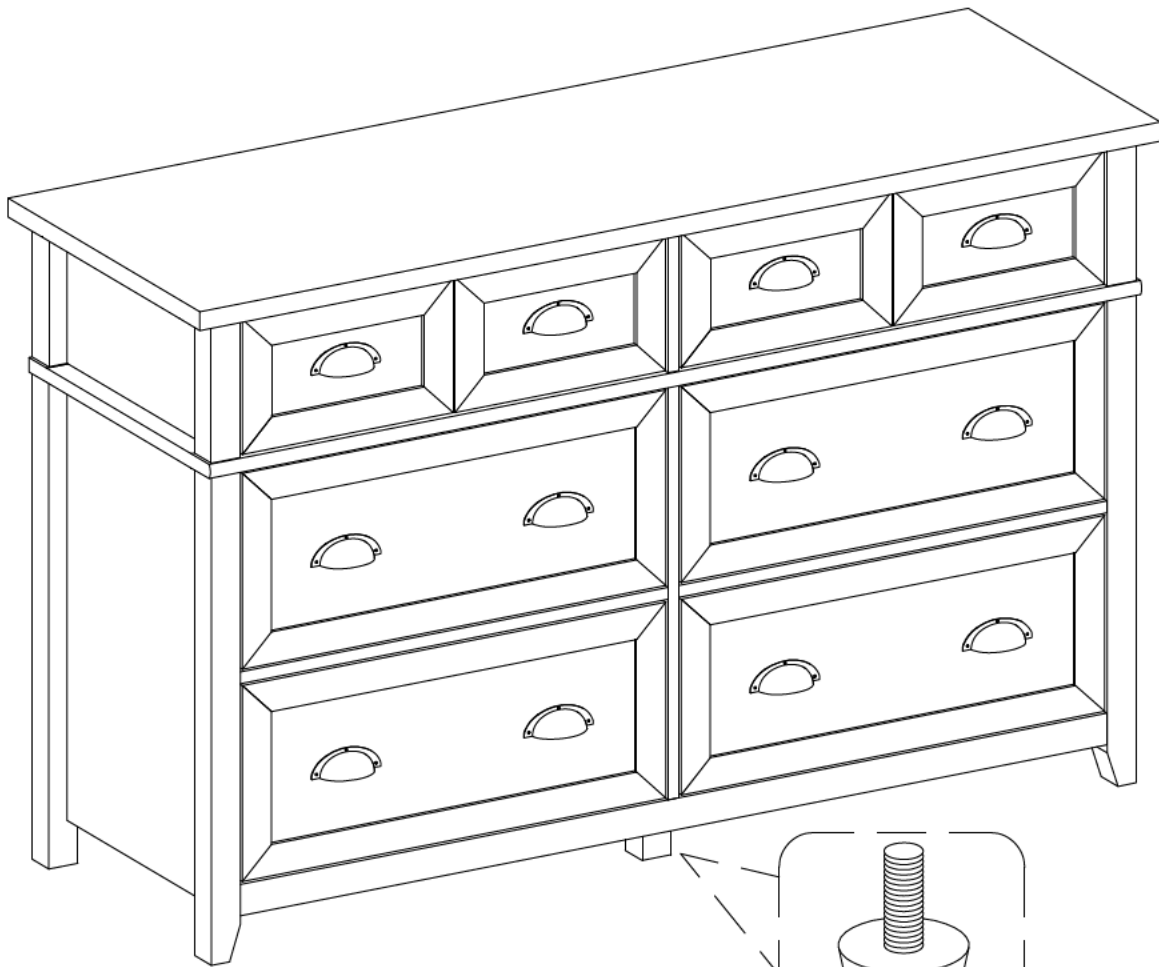


# Step 34

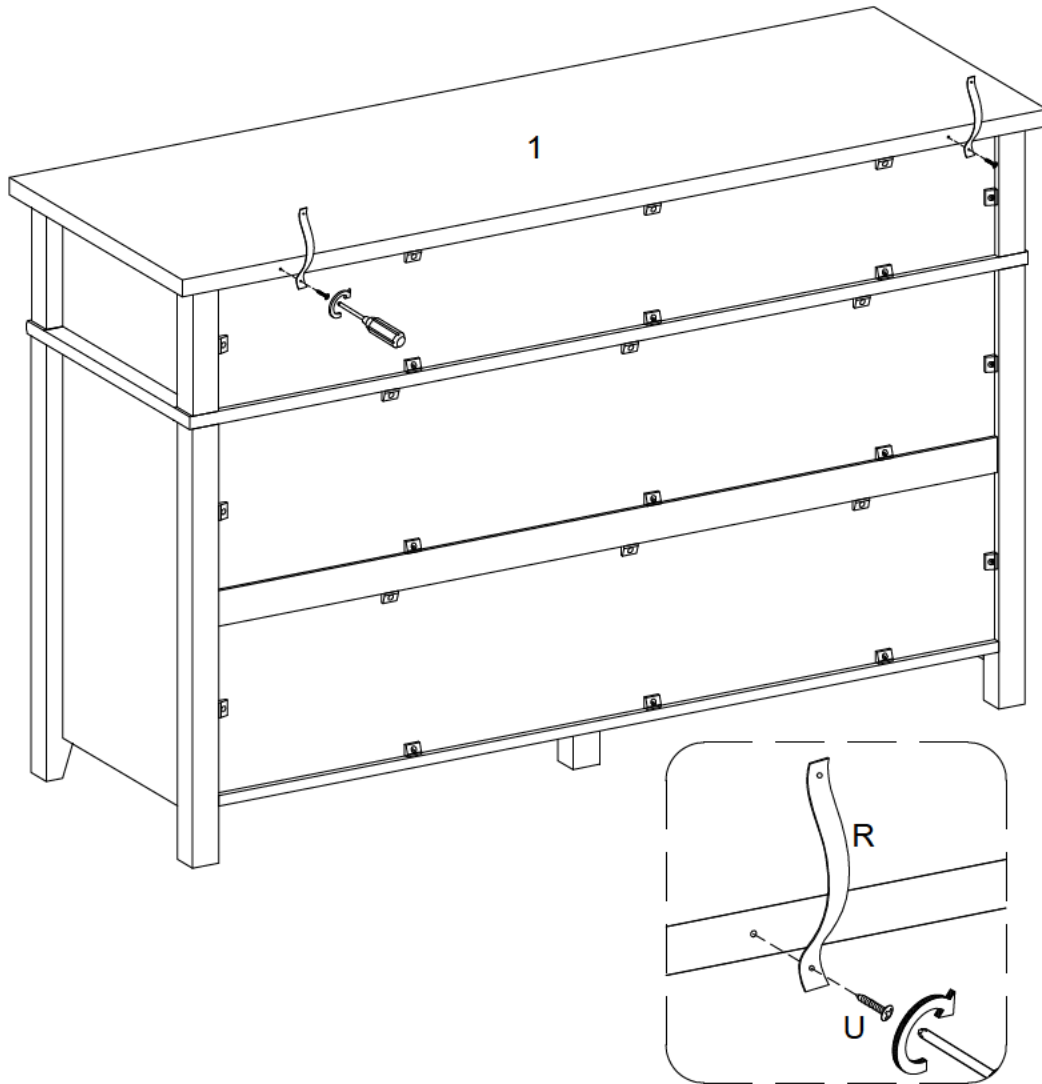


x 2

# Step 35

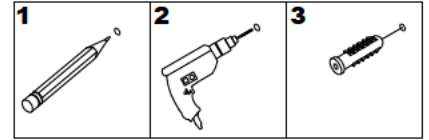


# Step 36



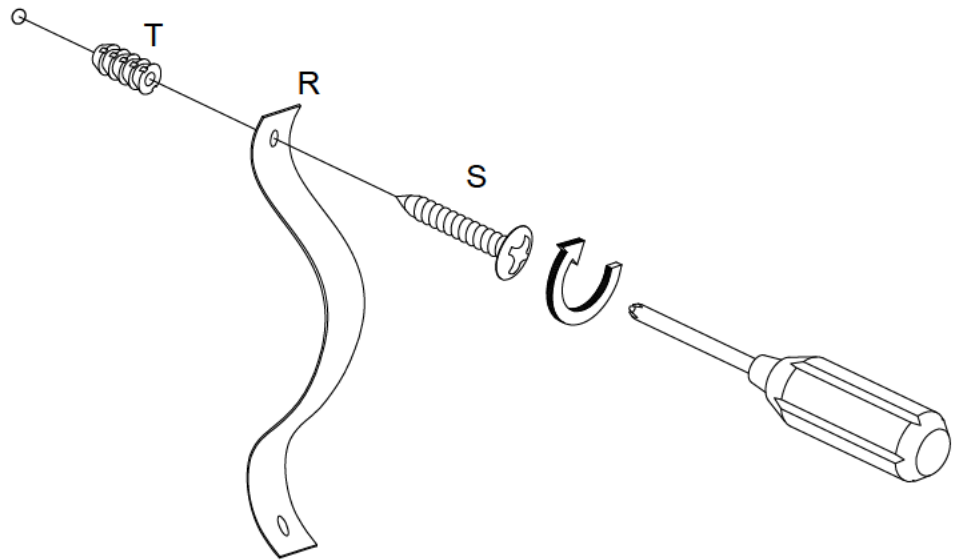
# Step 37

## WARNING



Serious or fatal injuries can occur from furniture tipping over. To prevent the furniture from tipping over we recommend that it is permanently fixed to the wall. Wall anchor and hardware are included with this product. Please make sure hardware is suitable for your walls before installing, as different wall materials may require different types of anchors.

Wall



# Step 38



Final Assembly