

DINING SIDE CHAIR

ASSEMBLY INSTRUCTIONS



ASSEMBLY INSTRUCTIONS

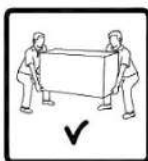
ASSEMBLY TIPS:

1. Remove hardware from box and sort by size.
2. Please check to see that all hardware and parts are present prior to start of assembly.
3. Please follow attached instructions in the same sequence as numbered to assure fast & easy assembly.



Warning !

1. Don't attempt to repair or modify parts that are broken or defective. Please contact the store immediately.
2. This product is for home use only and not intended for commercial establishments.

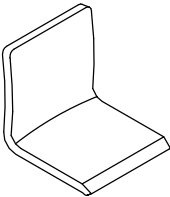
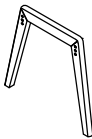

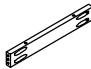







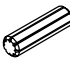
ASSEMBLY TIME

15 MINUTES

PARTS IDENTIFICATION

HARDWARE IDENTIFICATION

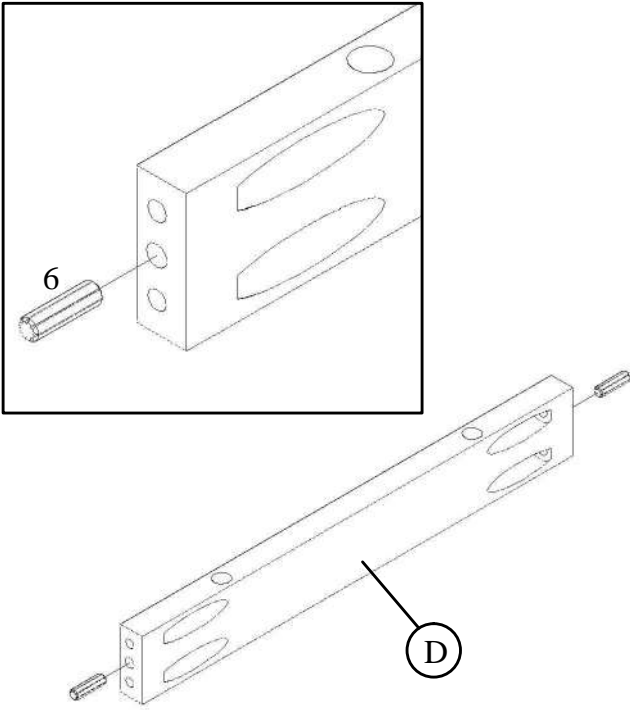
	PART NAME	FIGURE	QTY
A	SEAT AND BACK		1PC
B	RIGHT LEG FRAME (WITH 'B' LABEL)		1PC
C	LEFT LEG FRAME (WITH 'C' LABEL)		1PC
D	TRESTLE BAR		2PCS

	PART NAME	FIGURE	QTY
1	ALLEN WRENCH (4mm - BLK)		1PC
2	SHORT BOLT (Ø6mm x 50mm - RBW)		8PCS
3	LONG BOLT (Ø6mm x 70mm - RBW)		4PCS
4	LOCK WASHER (Ø5/16" - RBW)		12PCS
5	FLAT WASHER (Ø8 x 25mm)		4PCS
6	WOOD DOWEL (Ø8 x 30mm)		4PCS

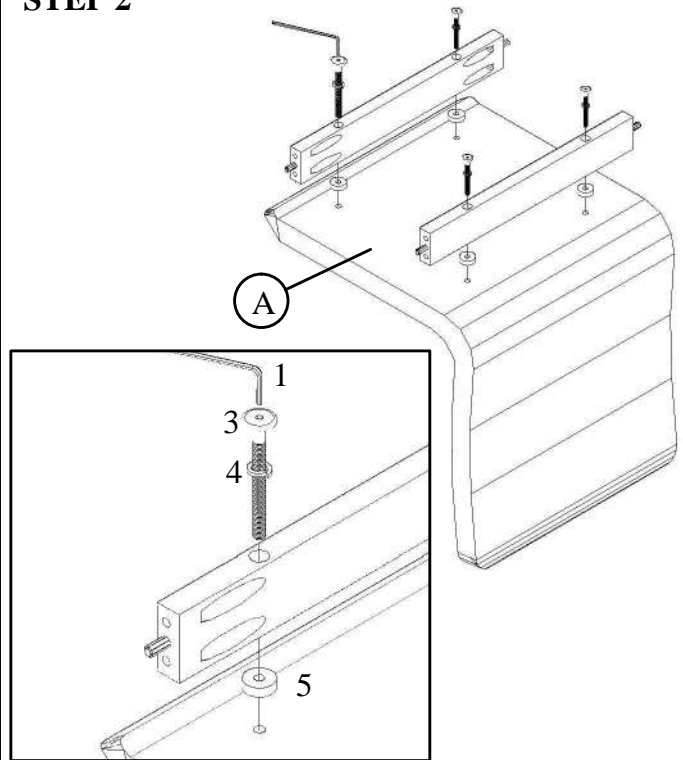
NOTE: QUANTITIES SHOWN ARE FOR ONE CHAIR

ASSEMBLY INSTRUCTIONS

STEP 1

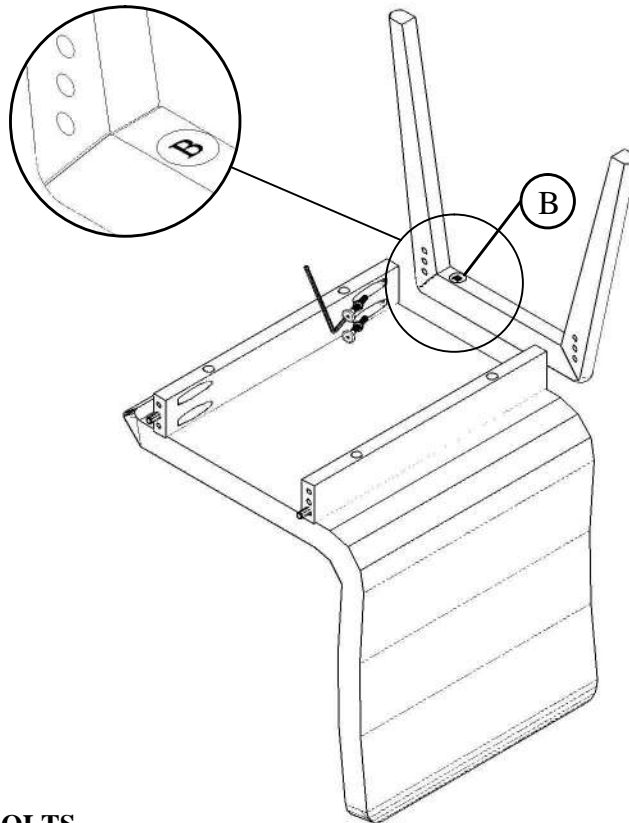
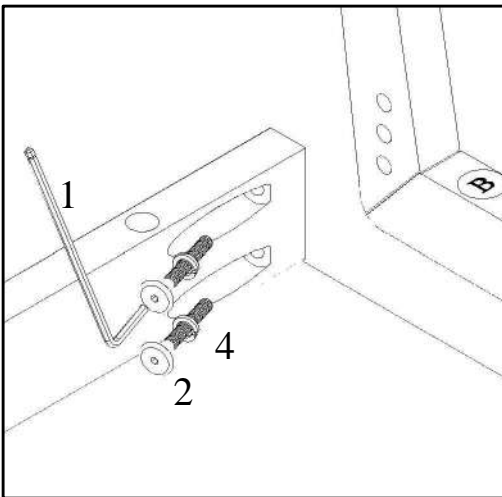


STEP 2



Remark: DO NOT FULLY TIGHTEN THE BOLTS AT THIS STEP

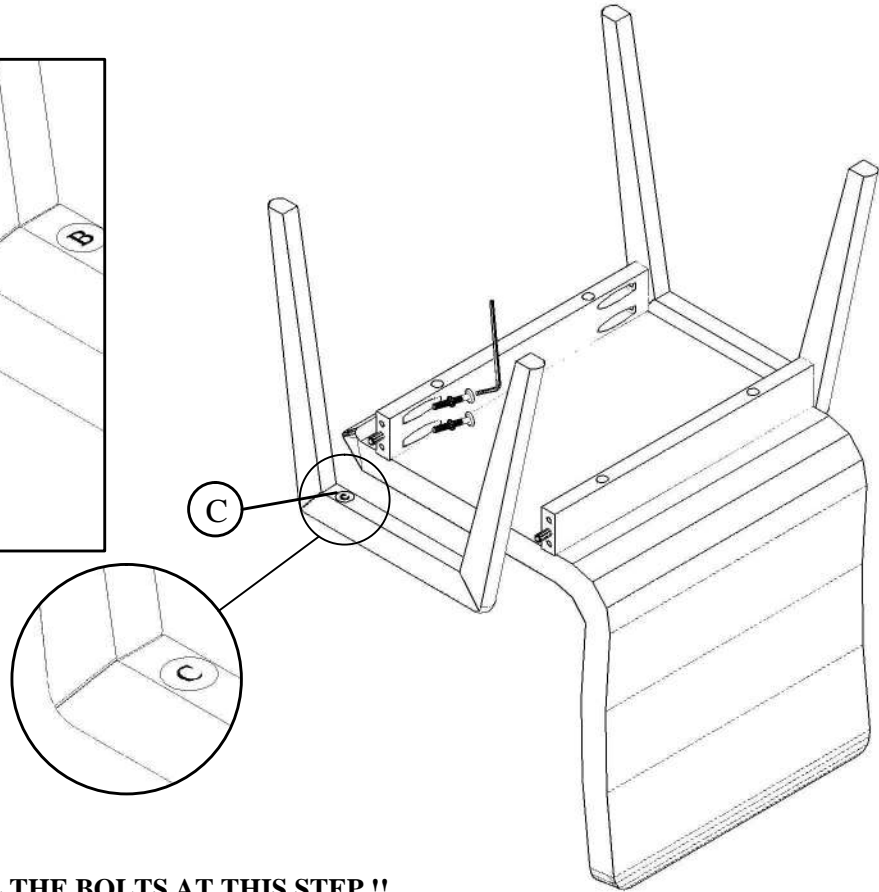
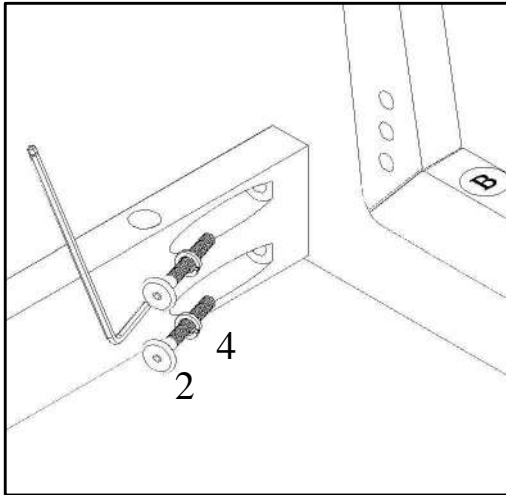
STEP 3



Remark: DO NOT FULLY TIGHTEN THE BOLTS AT THIS STEP

ASSEMBLY INSTRUCTIONS

STEP 4



Remark: FULLY TIGHTEN ALL THE BOLTS AT THIS STEP !!

STEP 5 COMPLETE

