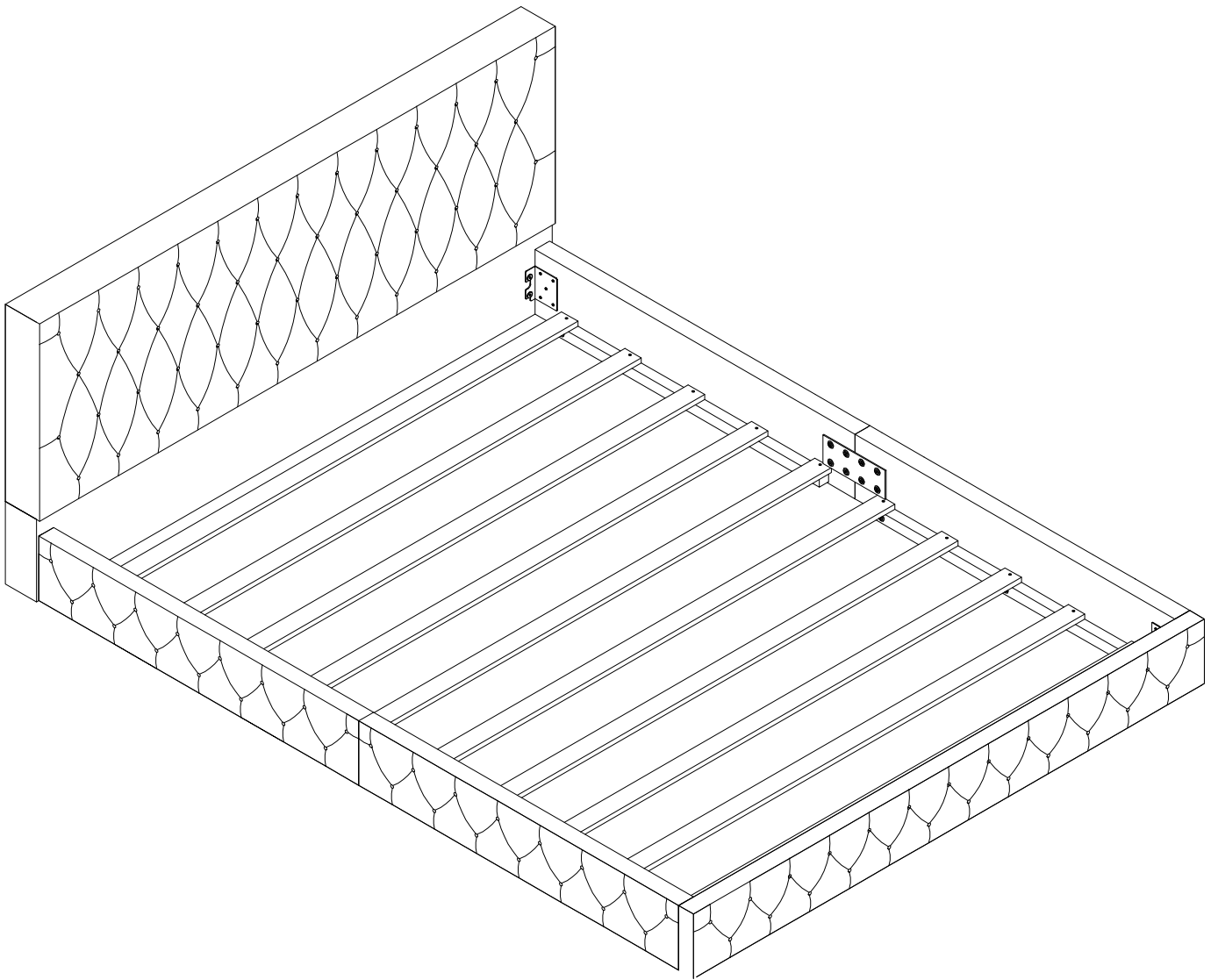
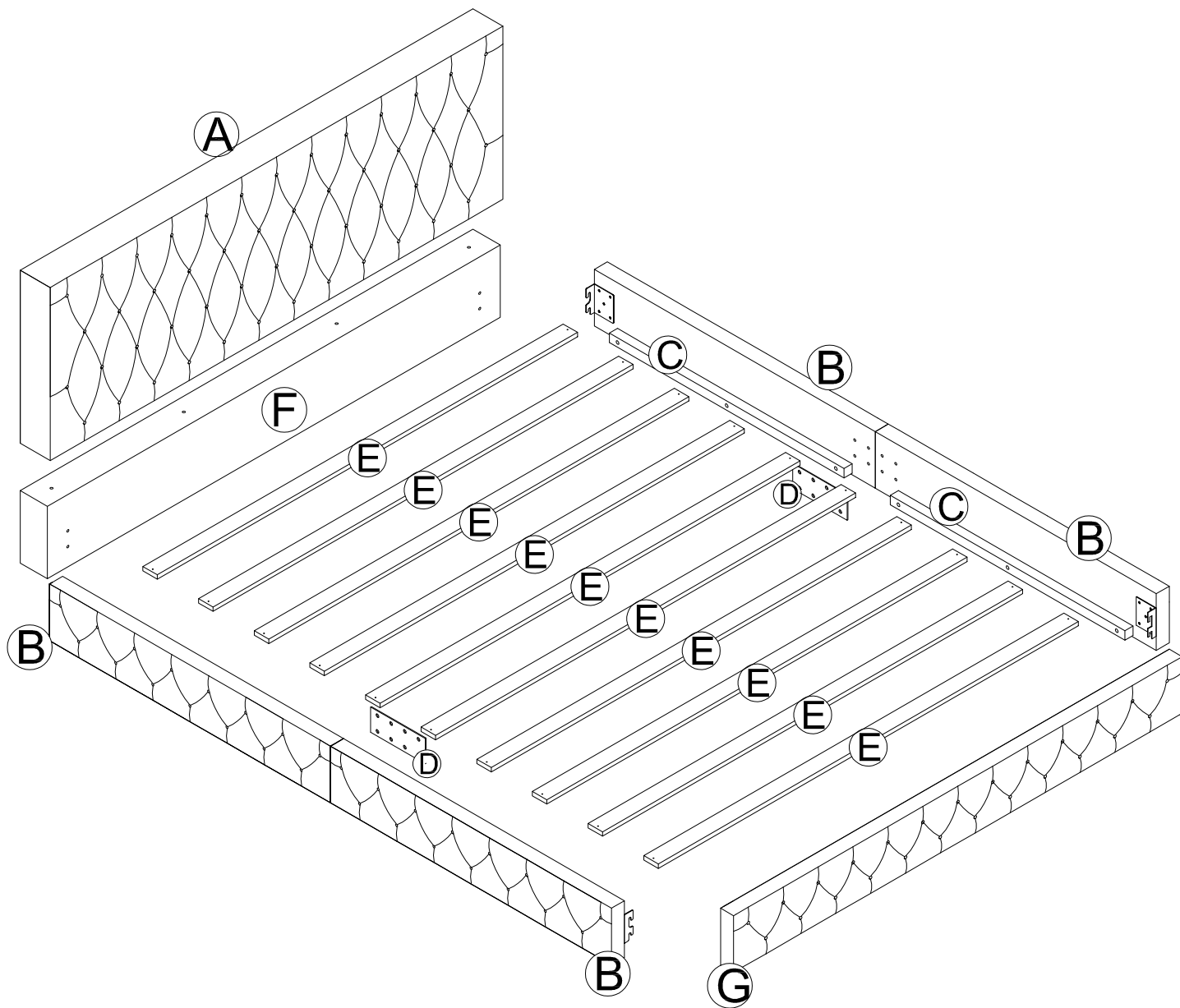


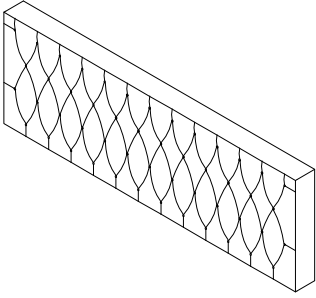
ASSEMBLY INSTRUCTION





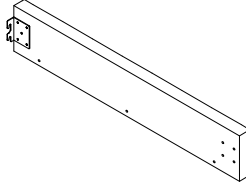
Part List

A



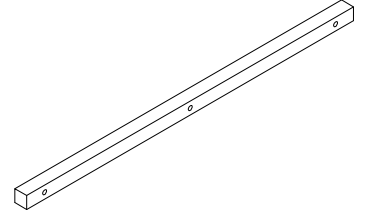
HEADBOARD TOP - 1pc

B



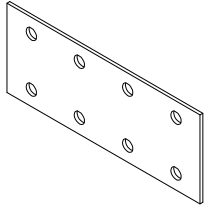
SIDE PANEL - 4pcs

C



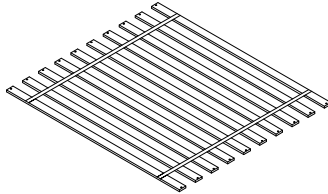
SIDE WOOD BASE - 4pcs

D



SIDE PANEL SUPPORT - 2pcs

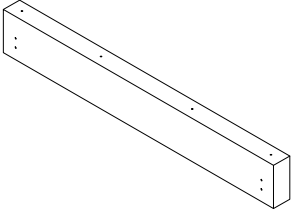
E



SLAT - 1SET/10pcs

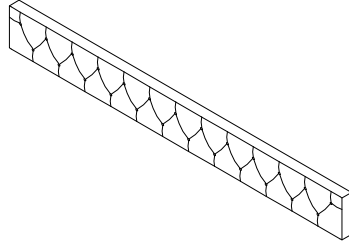
Part List

F



HEADBOARD BOTTOM - 1pc

G



FOOTBOARD - 1pc

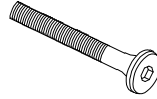
Hardware List

1



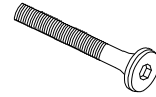
JCBB M8 x 16mm (8 pcs)

2



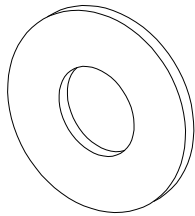
JCBC M6 x 35mm (16 pcs)

3



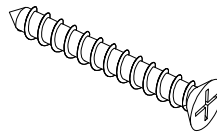
JCBC M6 x 45mm (16 pcs)

4



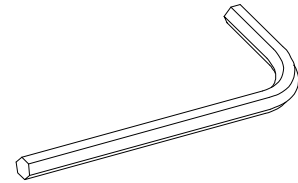
M6 Flat Washer (32 pcs)

5



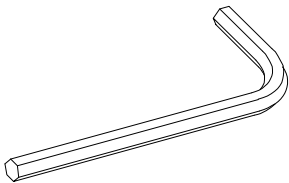
CSK SCREW M4 x 30mm (20pcs)

6

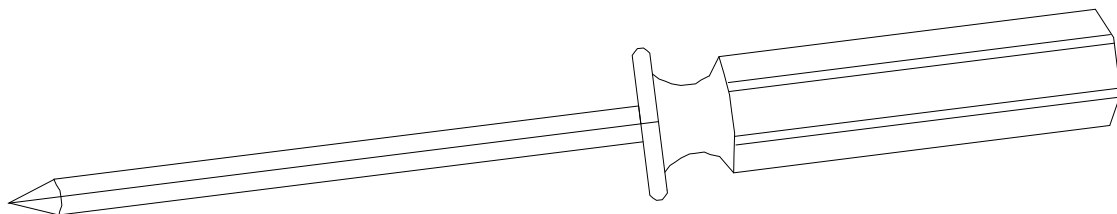


Allen Key M4 (1pcs)

7



Allen Key M5 (1pcs)

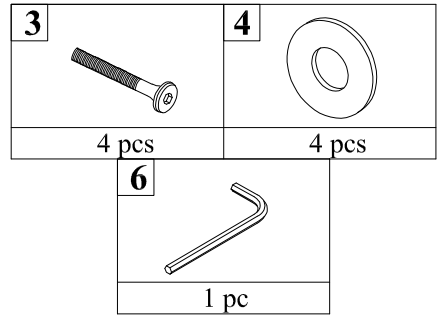
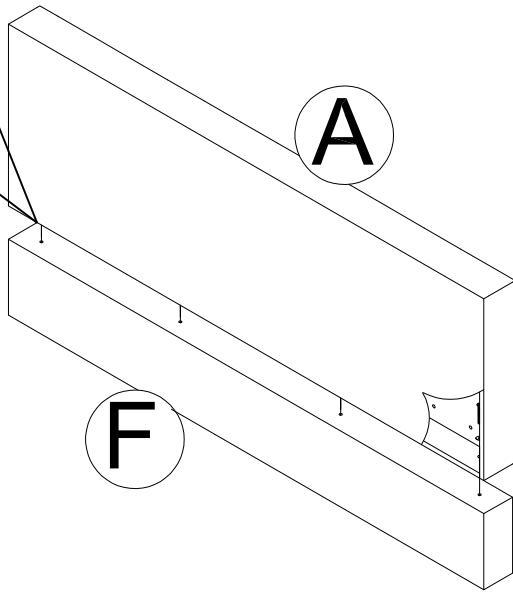
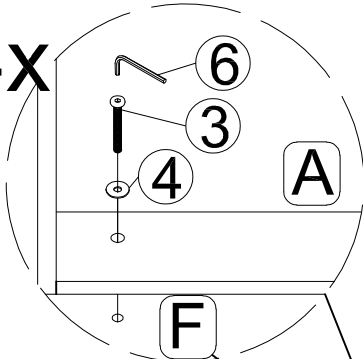


Assembly Tools
Required (Not Included)

Assembly Step

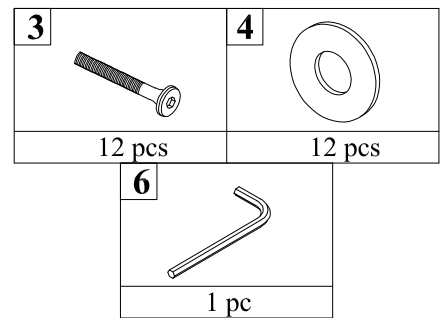
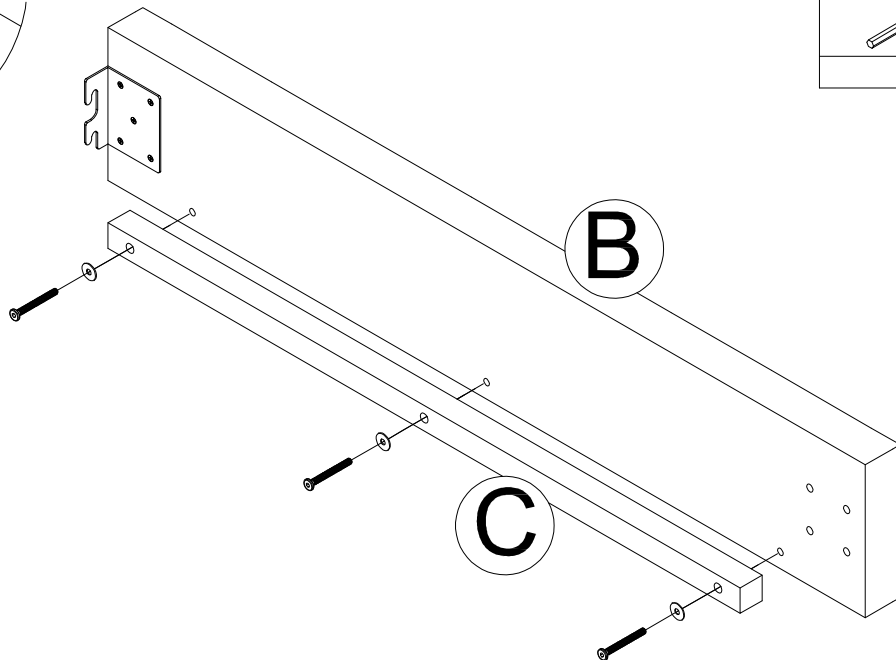
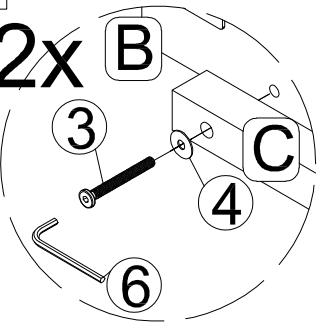
1

4x



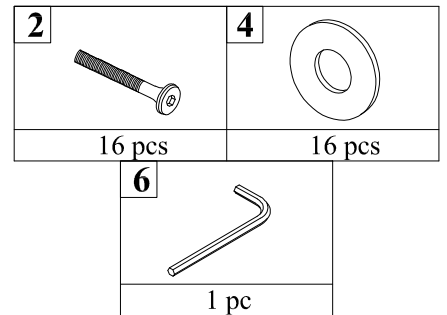
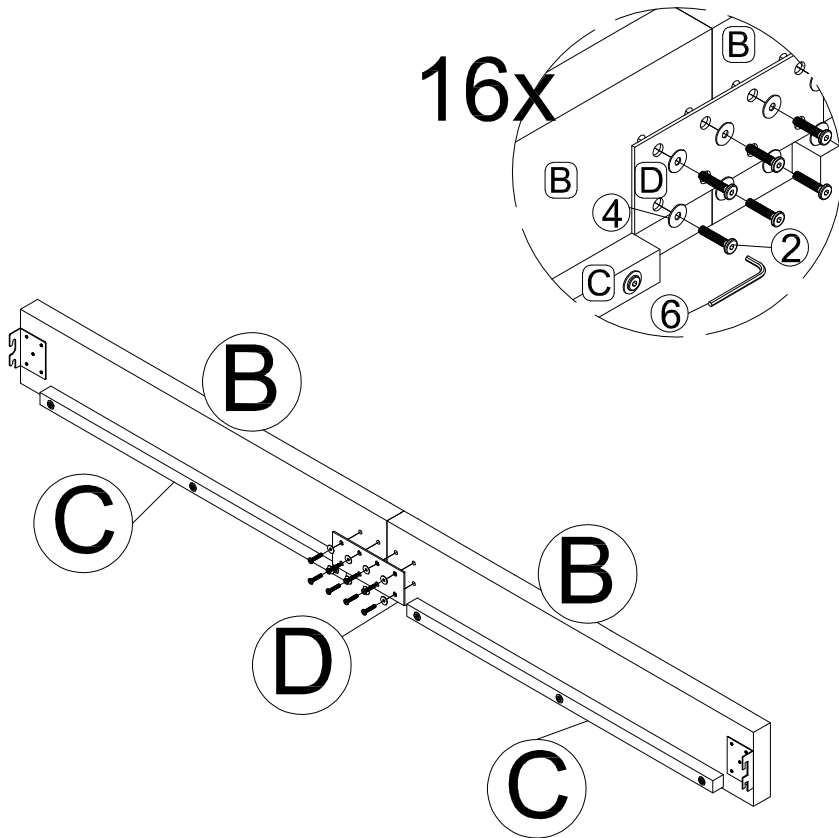
2

12x

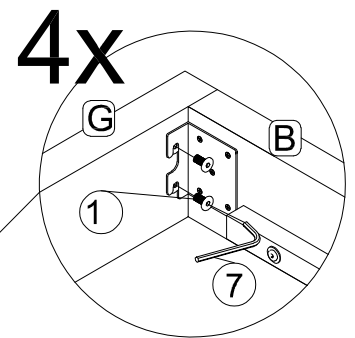
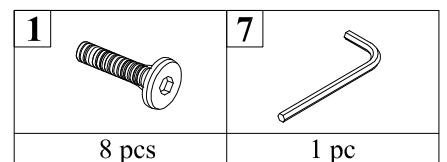
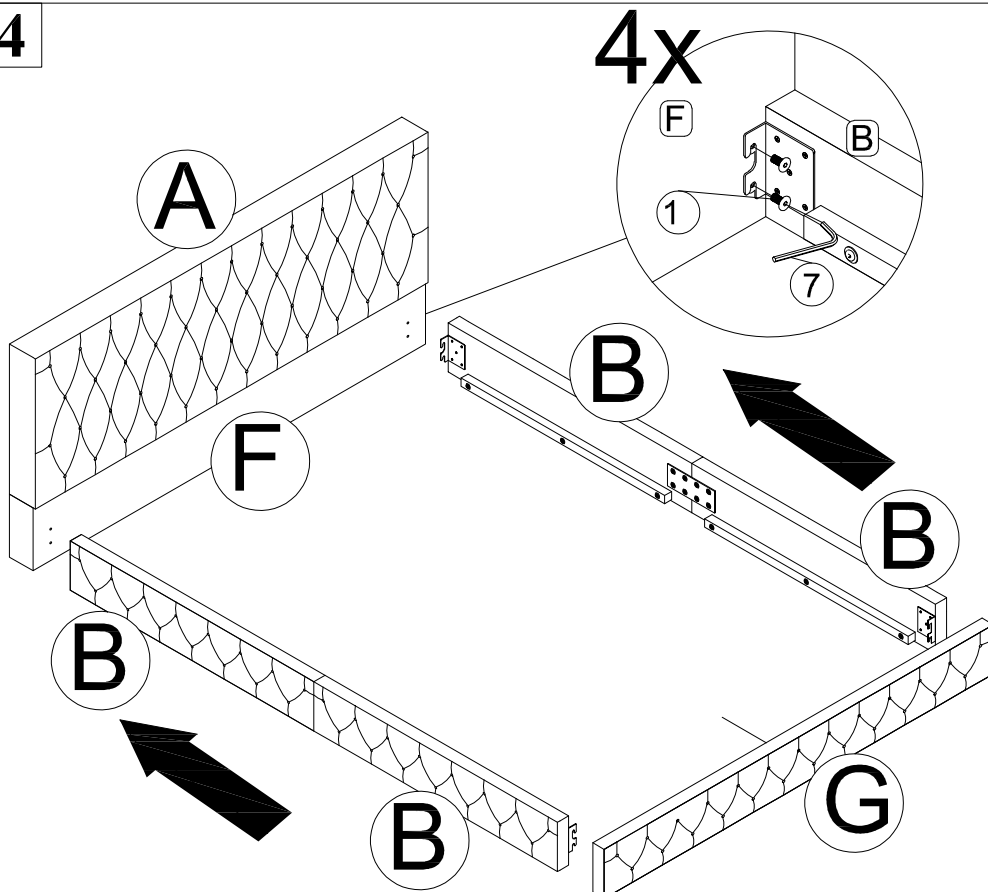


Assembly Step

3

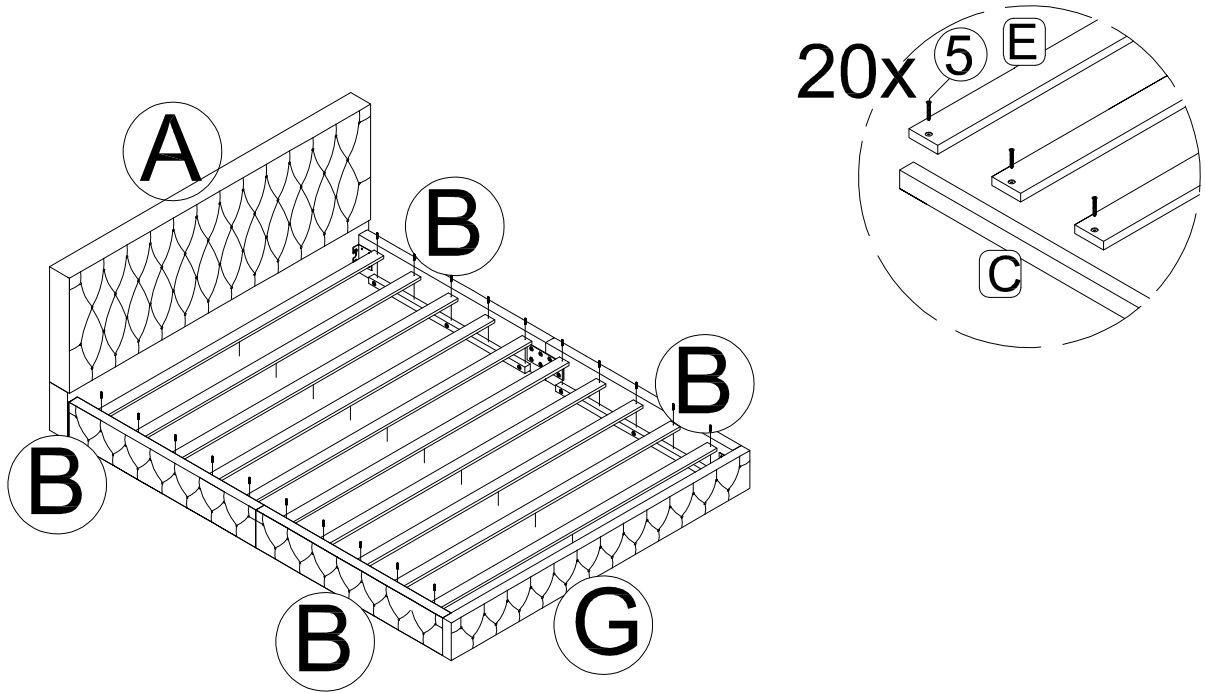
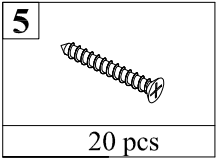


4



Assembly Step

5



FULLY COMPLETED ASSEMBLY

