

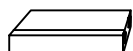
YMX-17

Accessories list

Carton A



Armrest (1)



Double seat frame (1)



Double backrest (1)



Armrest (1)



Single seat cushion (1)



Leg (10)



Wrench (1)



Screw (2)



Gasket (2)



Metal plate (1)



Woolen mat (10)

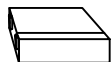


Back cushion (1)

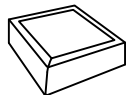
Carton B



Single backrest (1)



Single seat frame (1)



Ottoman frame (1)



Back cushion (2)

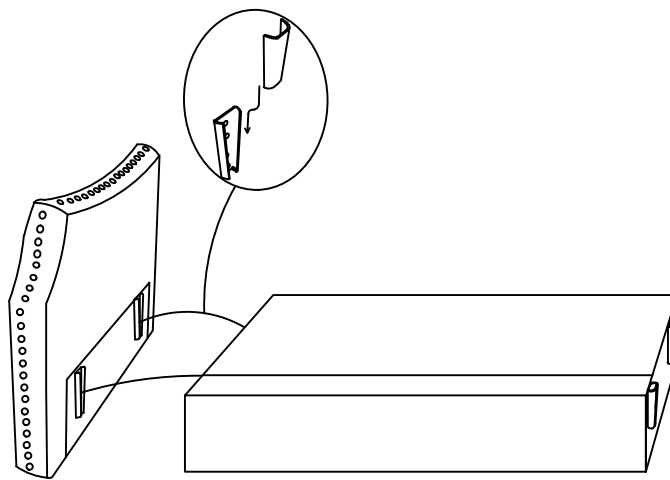


Single seat cushion (2)

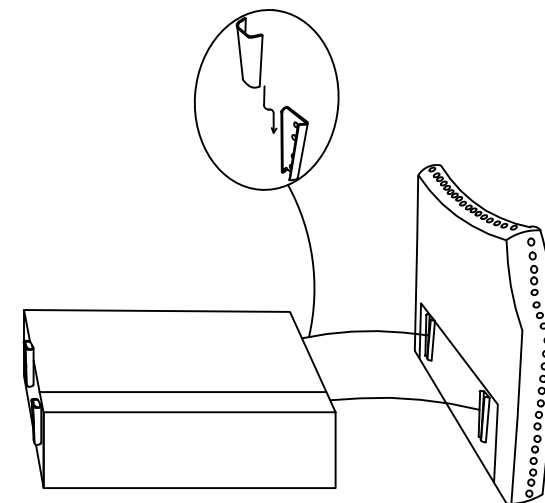


Ottoman cushion (1)

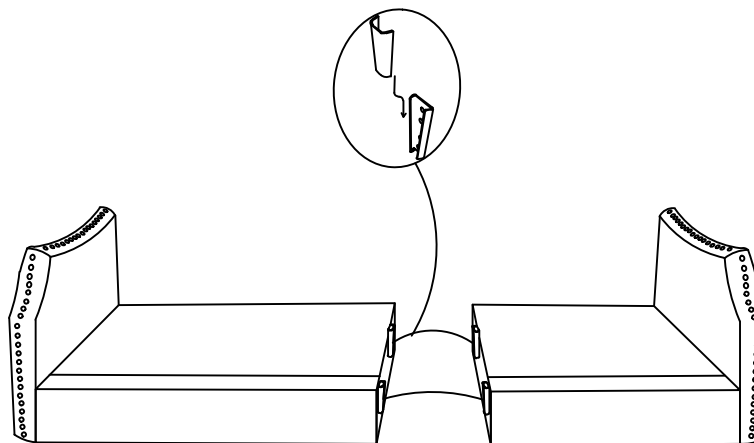
STEP 1:
Insert the double seat frame into
armrest



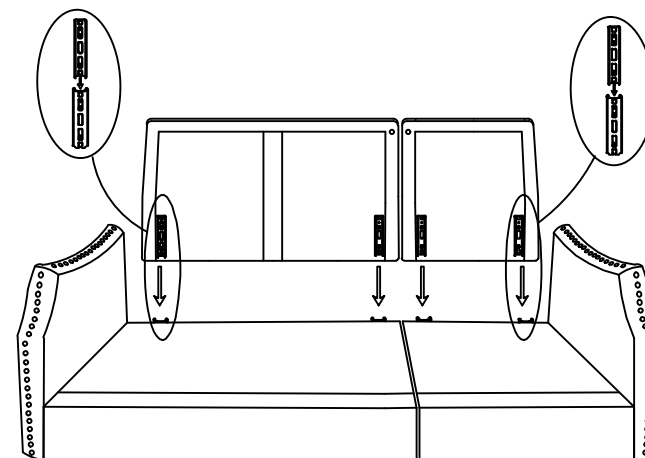
STEP 2:
Insert double seat frame into single
seat frame



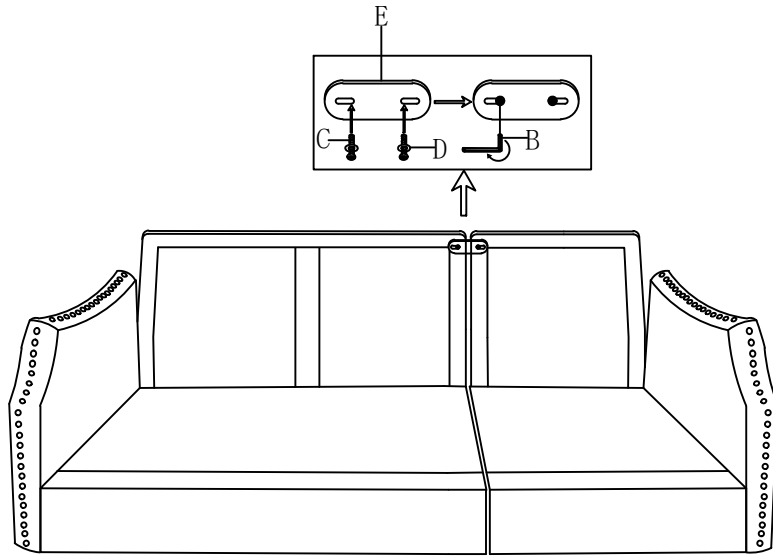
STEP 3:
Insert double seat frame into single
seat frame



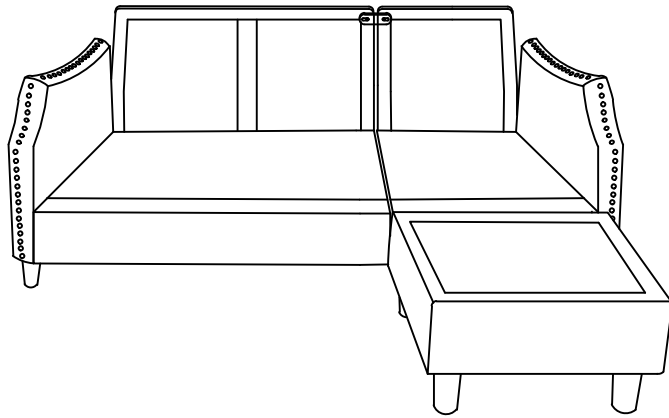
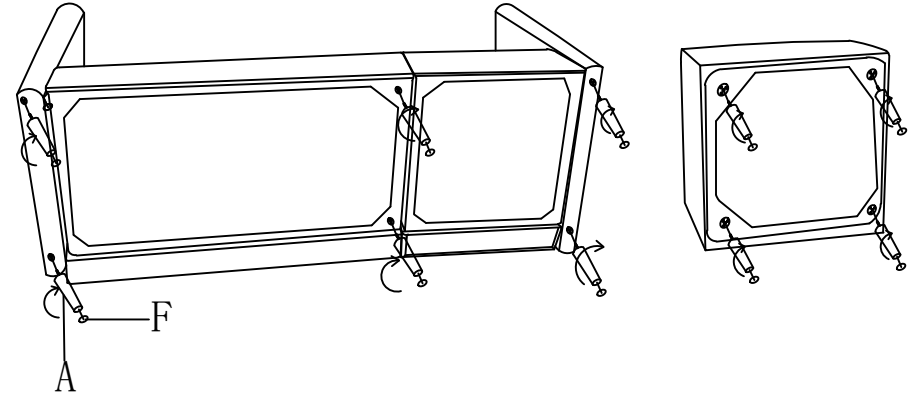
STEP 4:
Insert the backrest into the sofa
base



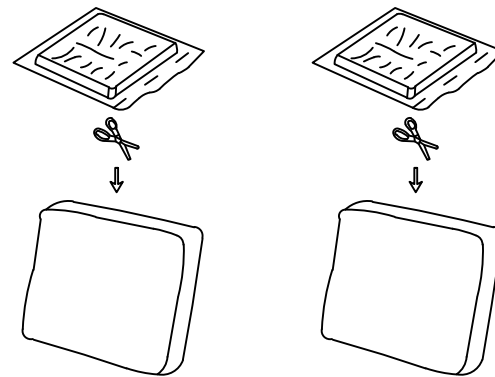
STEP 5:
Lock the backrest with the metal plate



STEP 6:
Install the legs of sofa



STEP 7:
Cut the compression bag



Seat Cushion

Back Cushion

STEP 8:
Assembly completed

