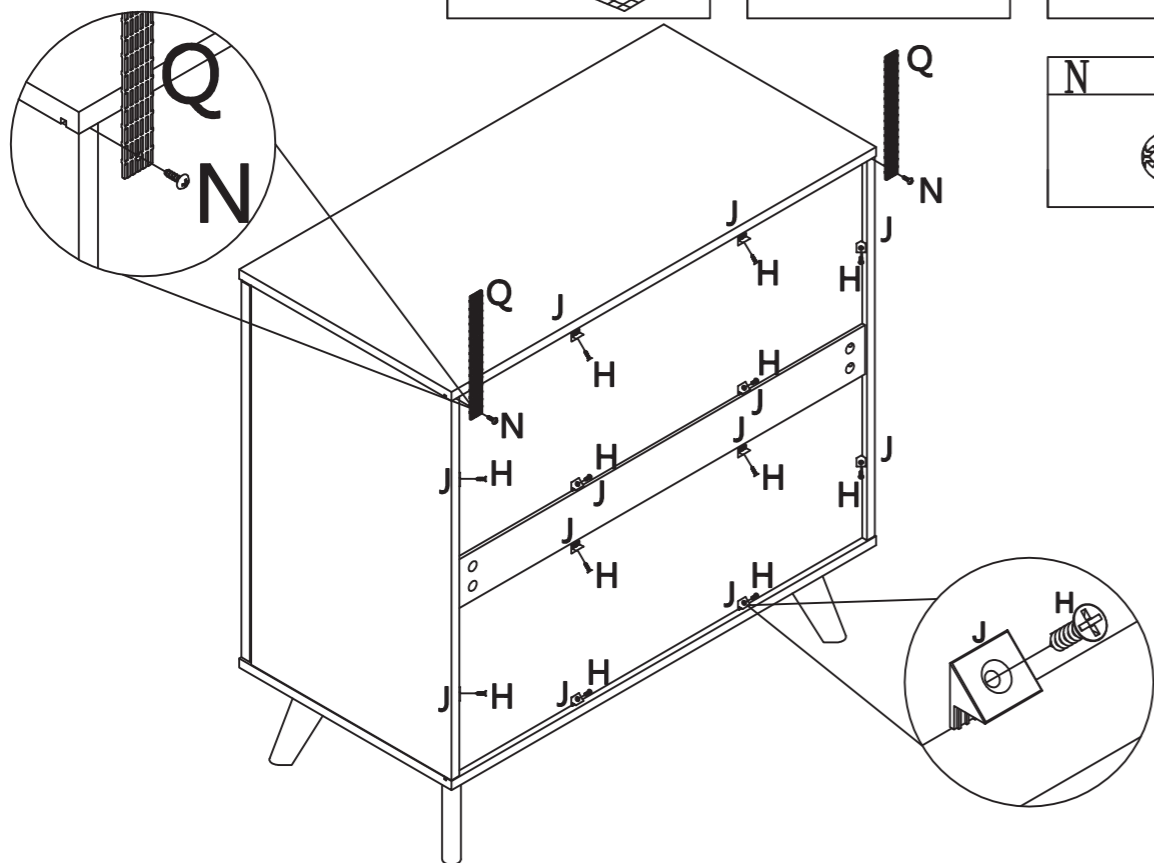
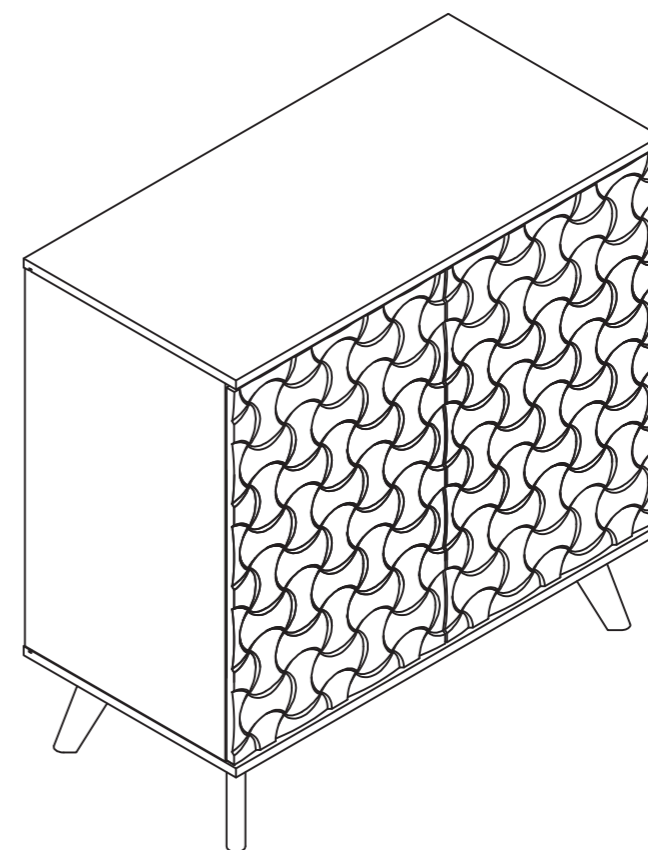


Step 13

Q	x 2	H	x 12	J	x 12
				N	x 2

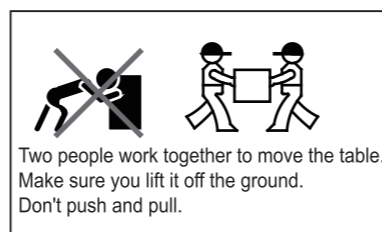
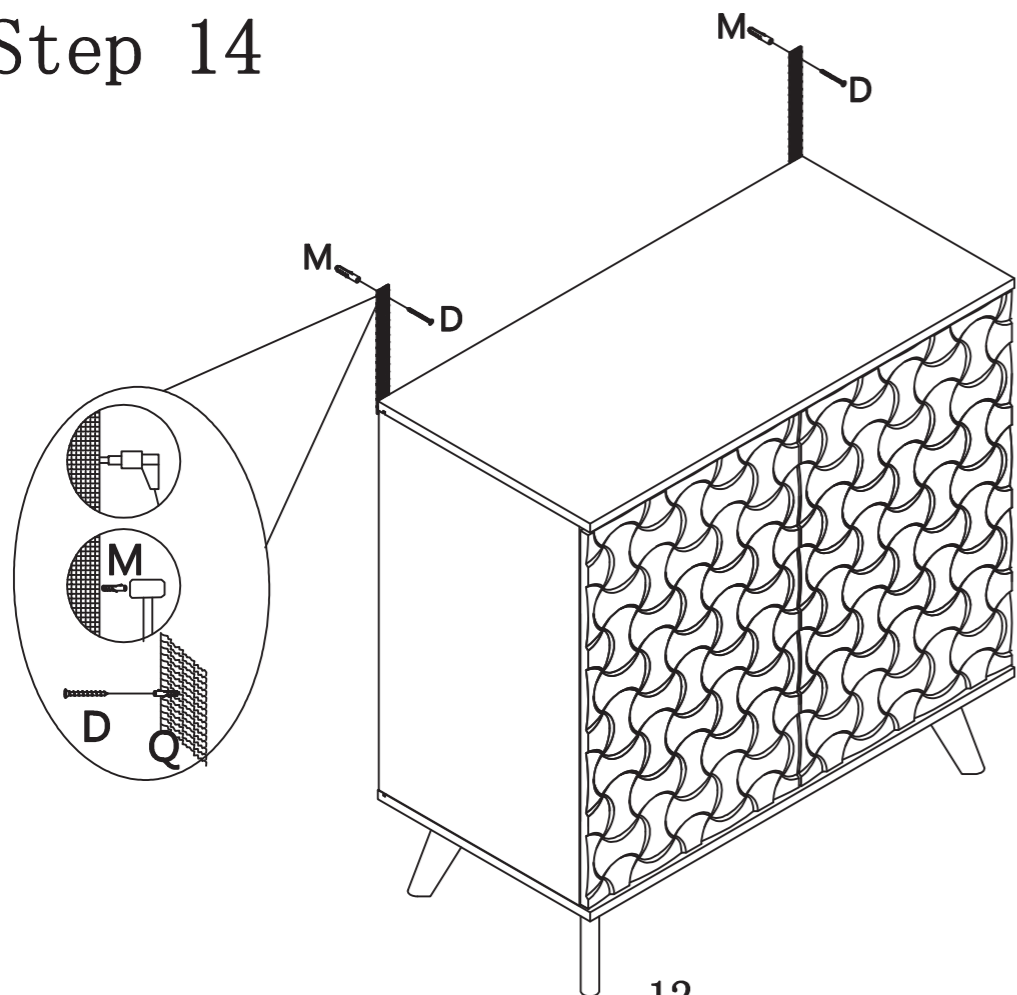


Installation Instruction



Step 14

D	x 2
M	x 2



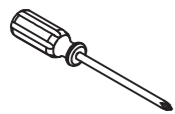
Assembling

Estimated time for assembly

 **45 : 00**

What you need

- Use the packaging carton as a working surface to prevent product damage during assembly
- Phillips head screwdriver



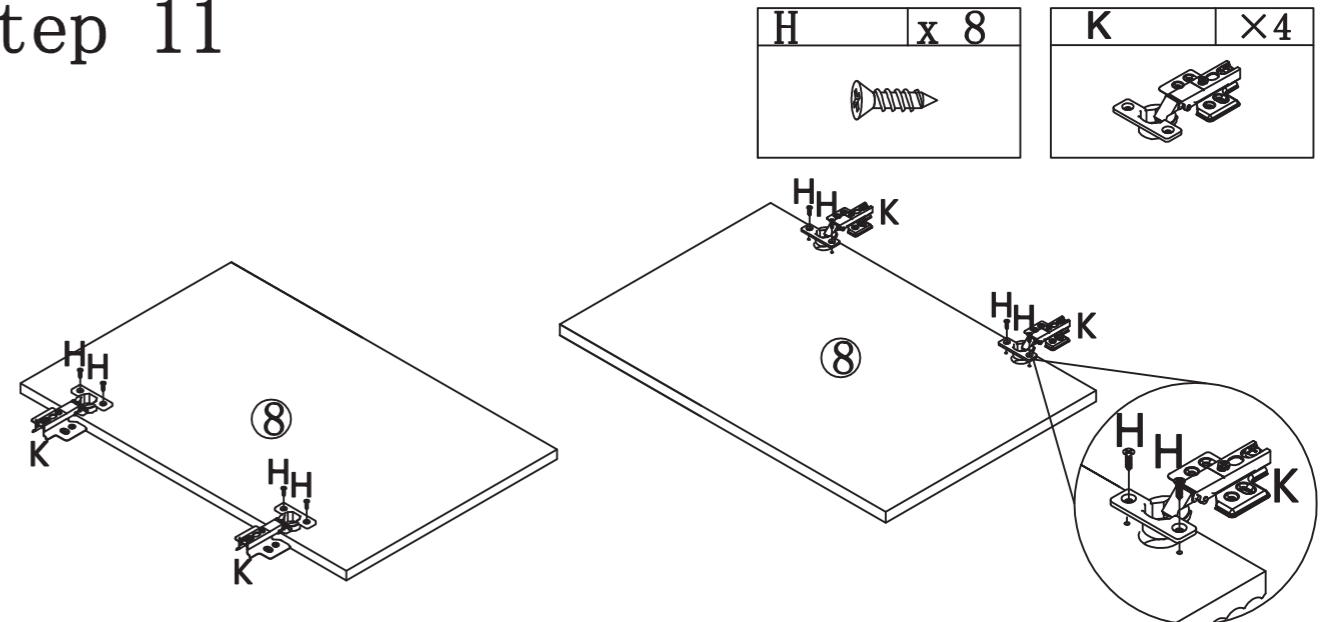
Weight Limitation

 **100** | **35**
lbs table top | lbs per

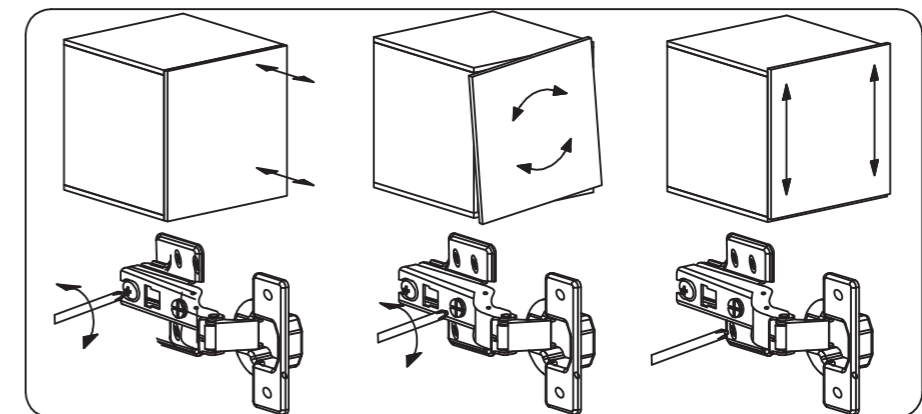
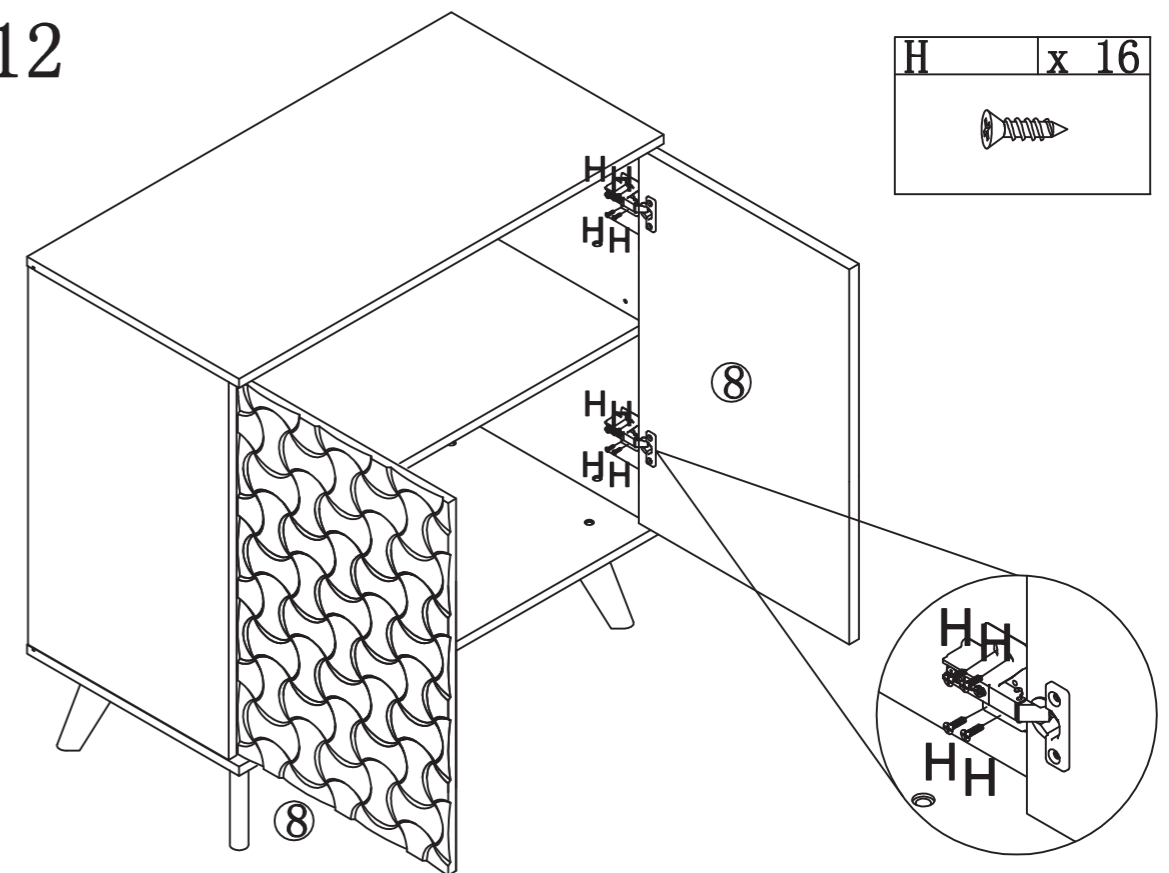
What' included

Code	Description	Qty
A	Cam Bolt M6X35MM	8
B	Cam Lock 15X12MM	8
C	Wooden Dowel M8X30MM	12
D	Screw M4X40MM	6
E	Screw M7X40MM	4
F	Door Rebound Device	2
G	Door Rebound Device Holder	2
H	Screw M3.0X14MM	40
I	Plastic block	1
J	The back button	12
K	Hinge	4
L	Shelf Holder	4
M	Anchor	2
N	Screw M3.5X14MM	2
O	Foot nail	4
P	The screw M4X55MM	1
Q	Nylon Strap	2

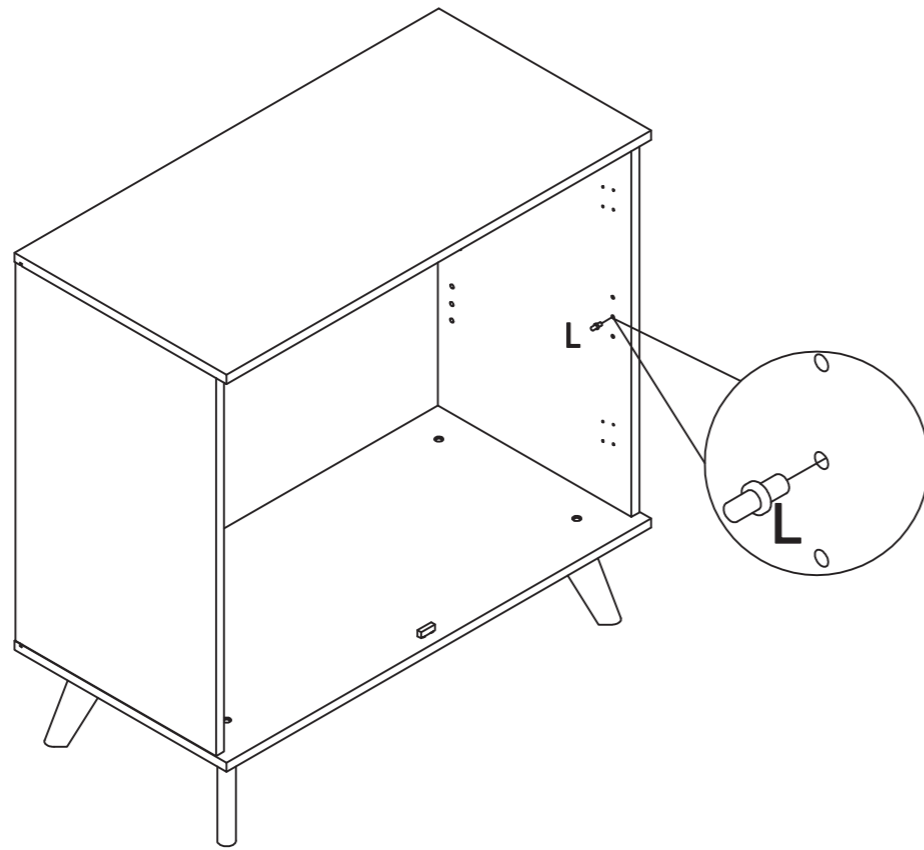
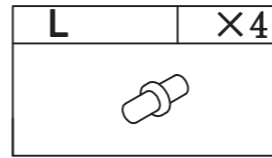
Step 11



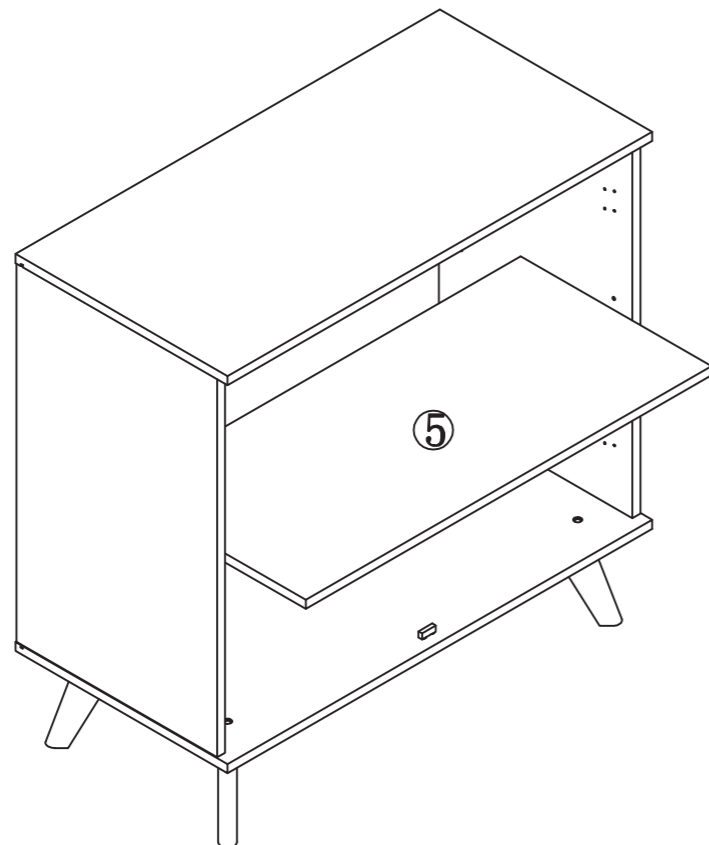
Step 12



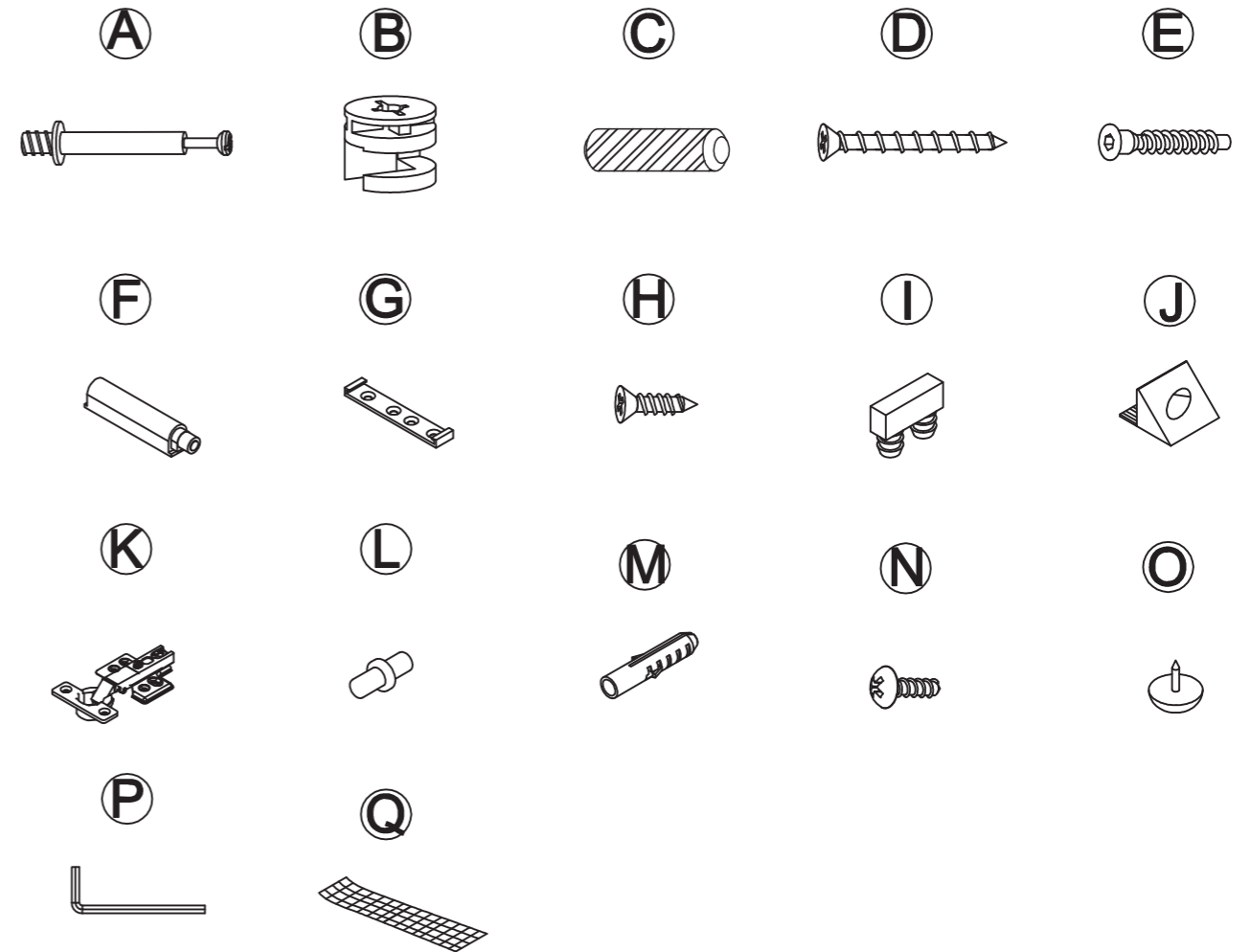
Step 9



Step 10



The Hardware

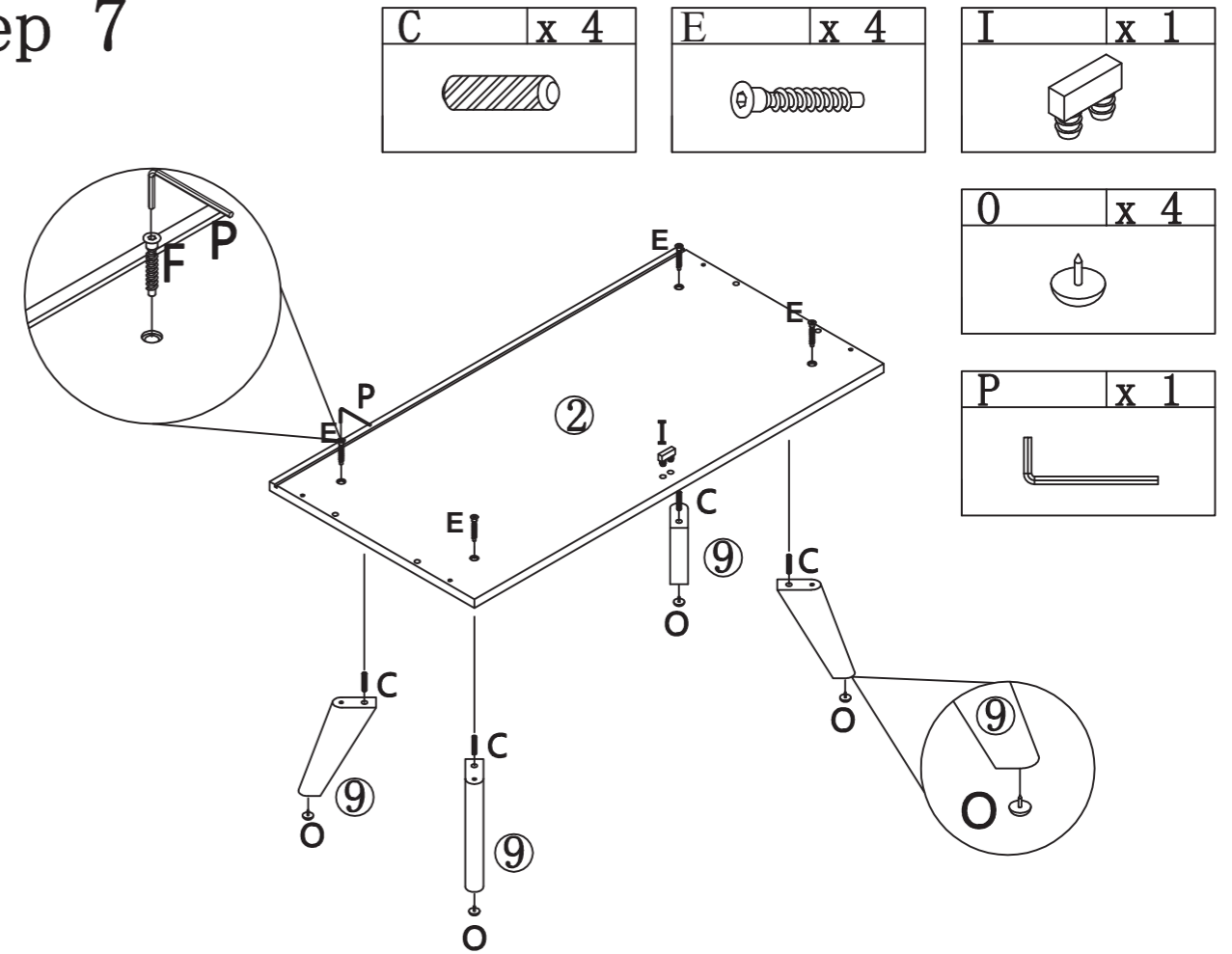


IMPORTANT:
 1. Do not tighten bolts / screws completely until all bolts / screws are lined up and inserted into holes.
 2. Do not over tighten screws and bolts to avoid stripping
 3. Please use hand tools to assemble this product. Do not use power tools.

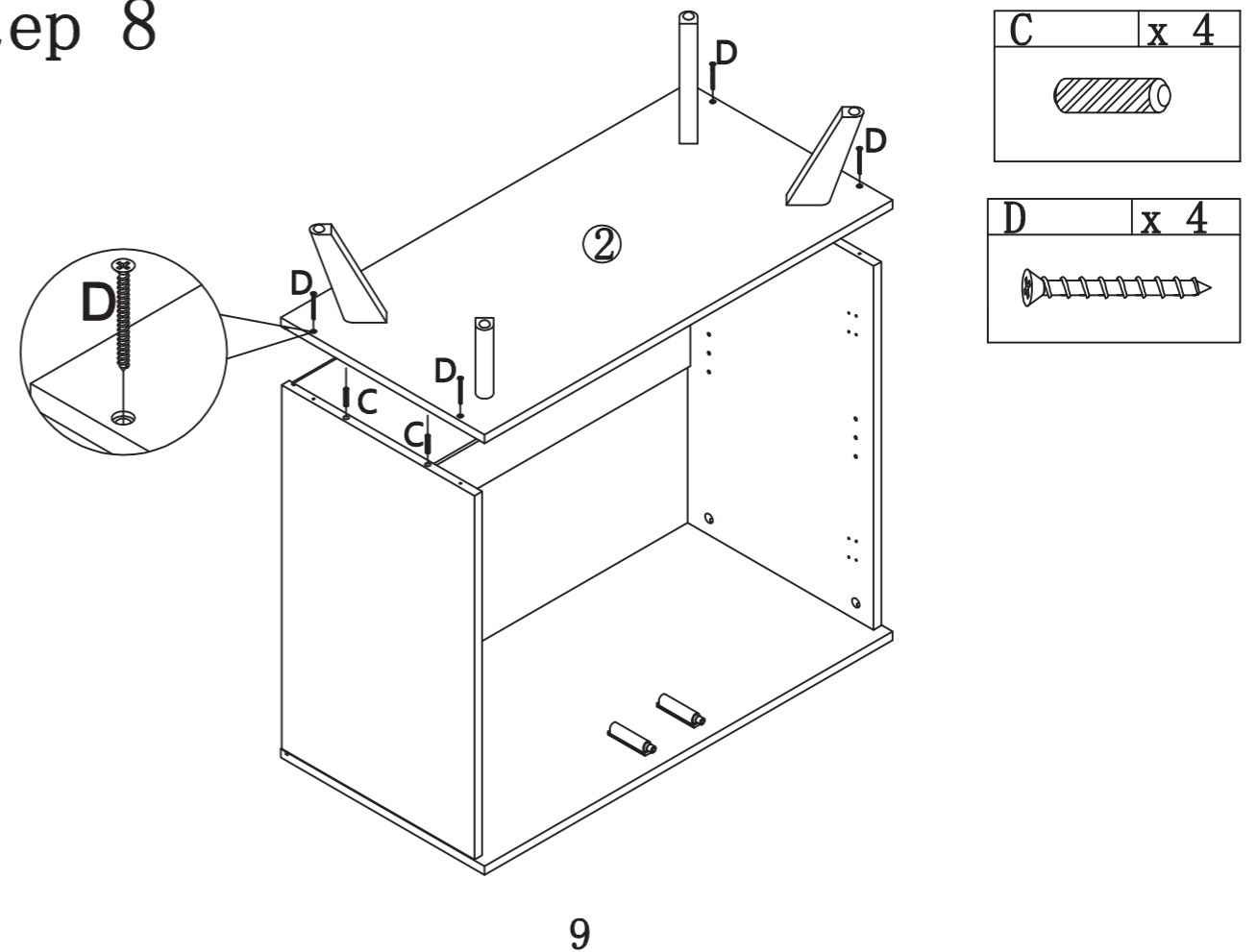
Included Accessories

Code	Description	Qty
1	Cabinet Top	1
2	Bottom Panel	1
3	Left Side Panel	1
4	Right Side Panel	1
5	Movable laminated plate	1
6	Back tie	1
7	Backboard	2
8	Metal Door	2
9	Supporting foot	4

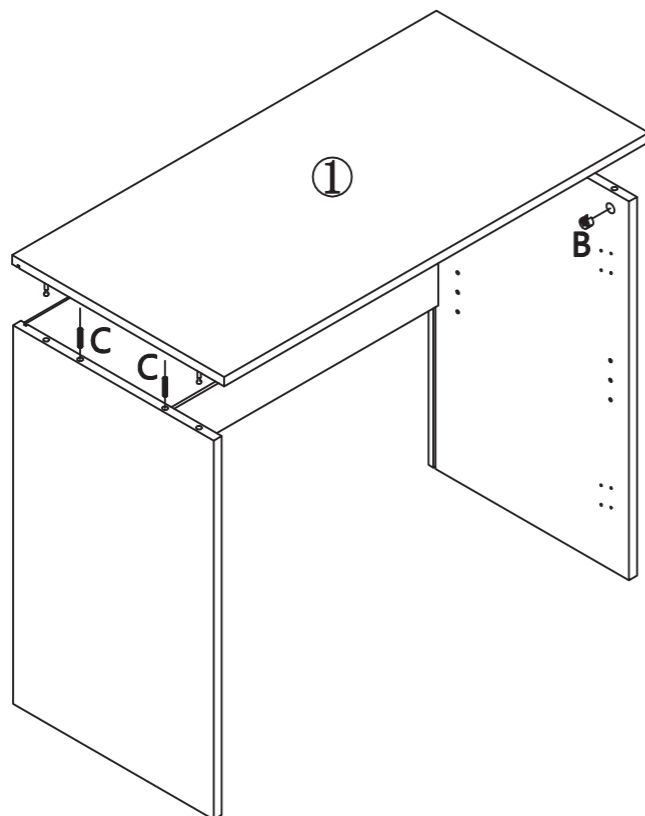
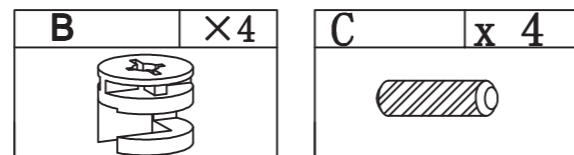
Step 7



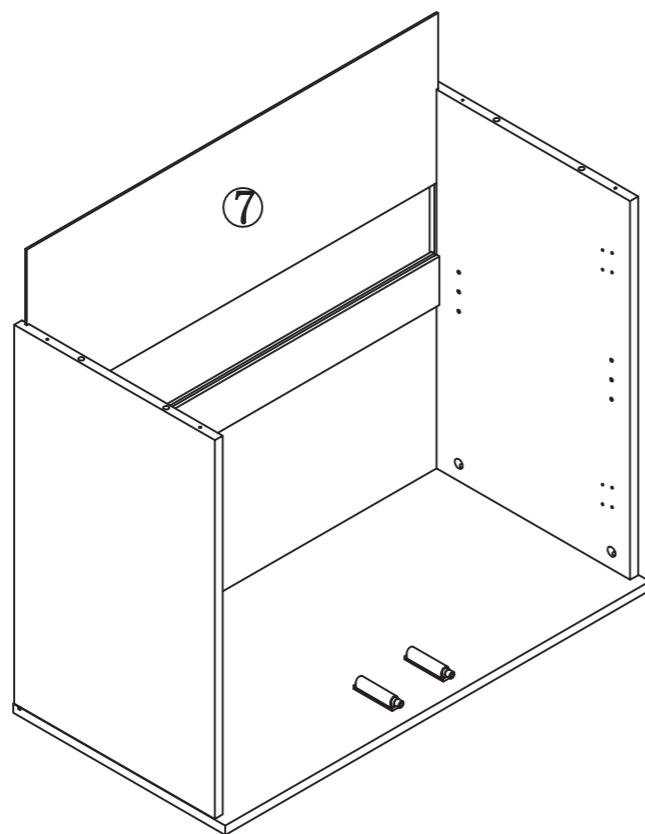
Step 8



Step 5

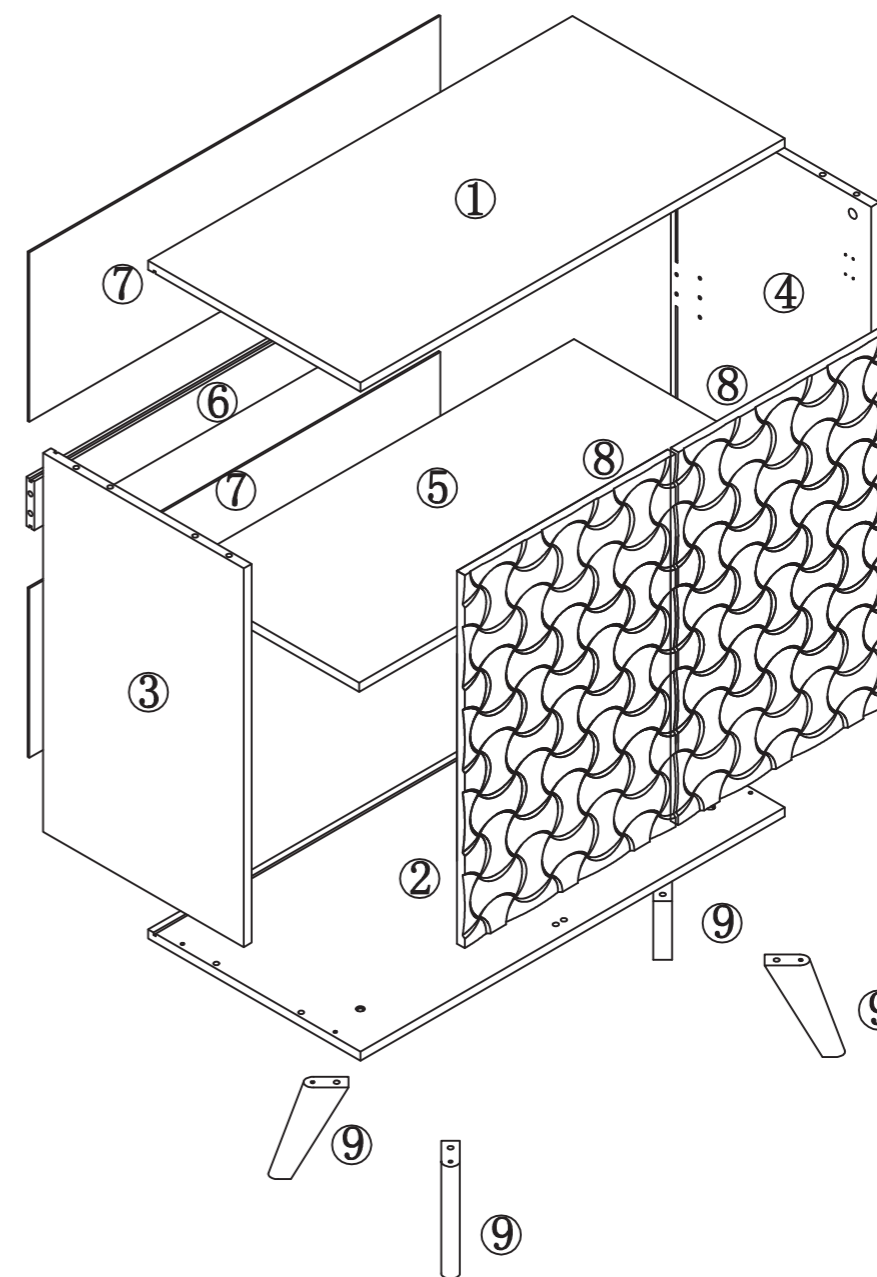


Step 6



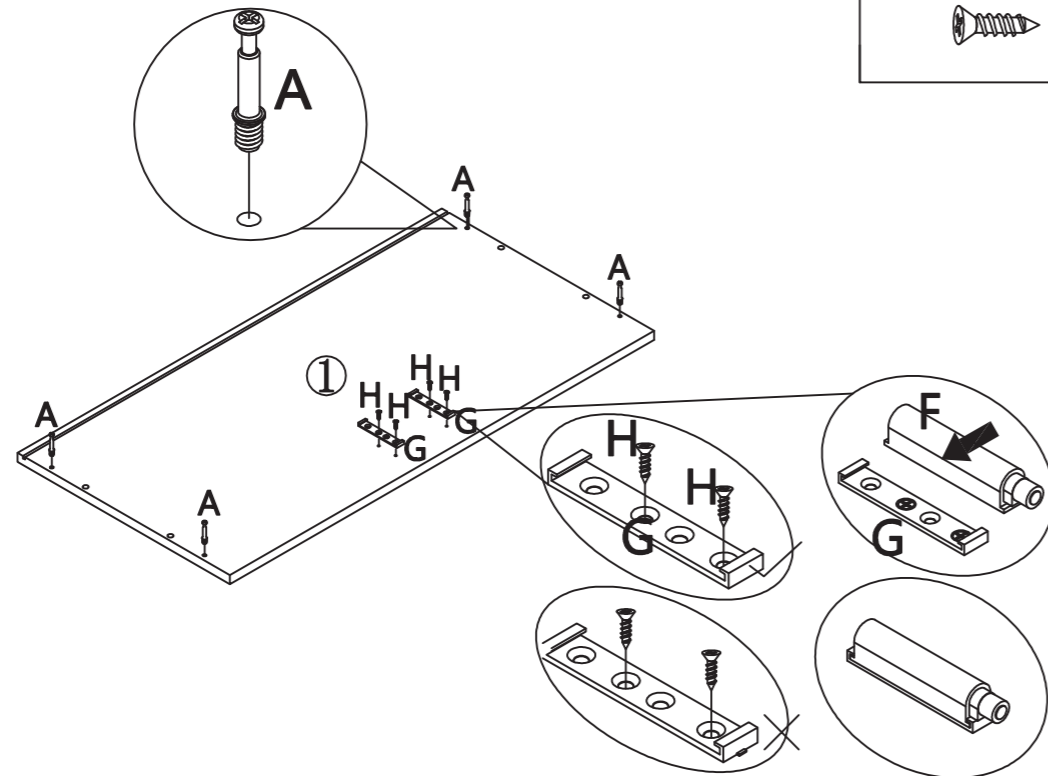
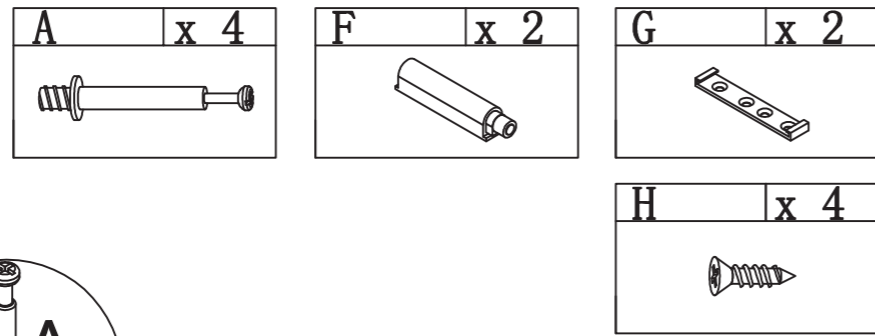
8

The Accessoriss

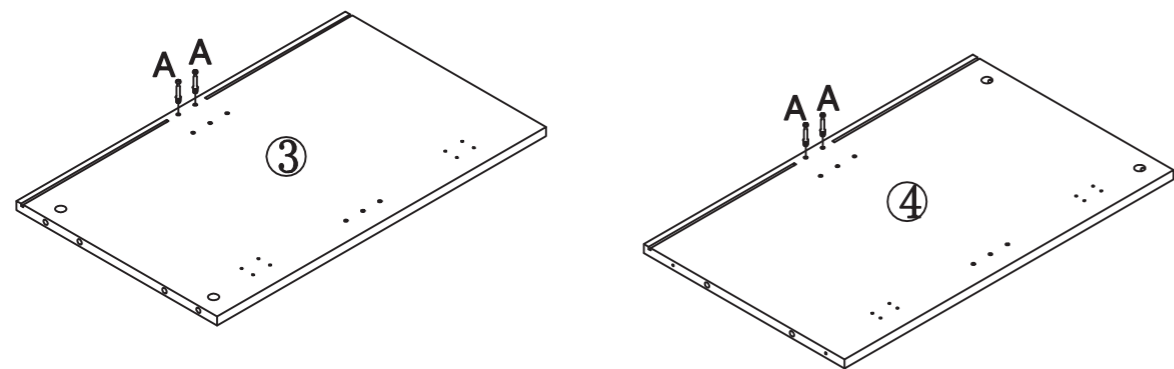
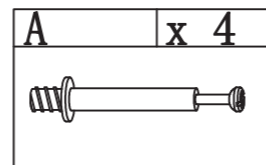


5

Step 1

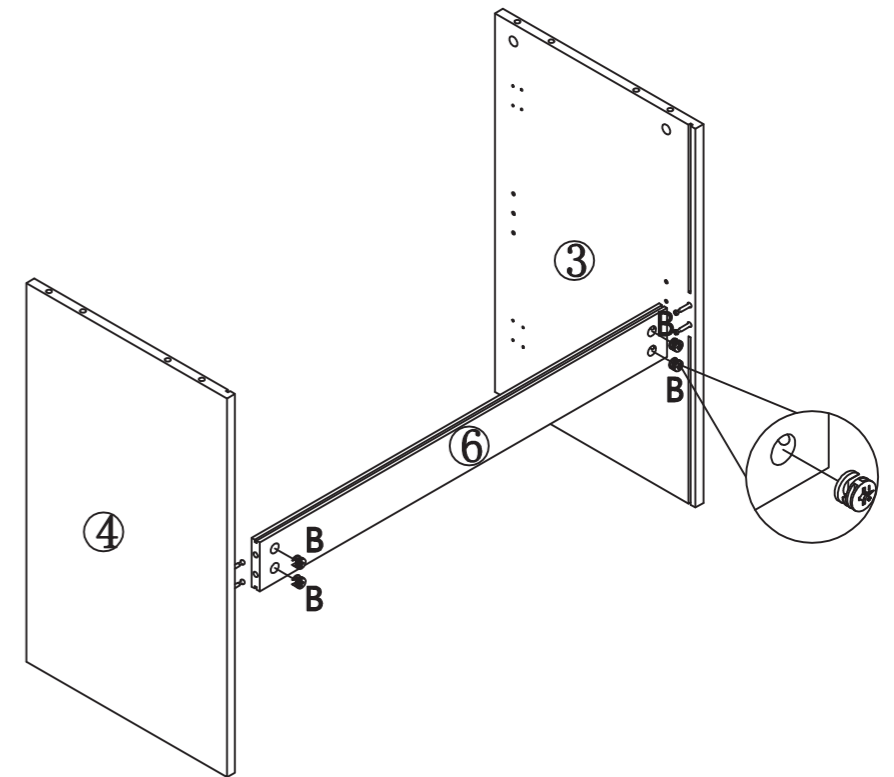
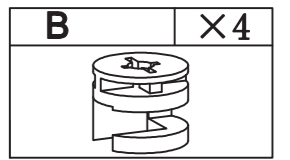


Step 2

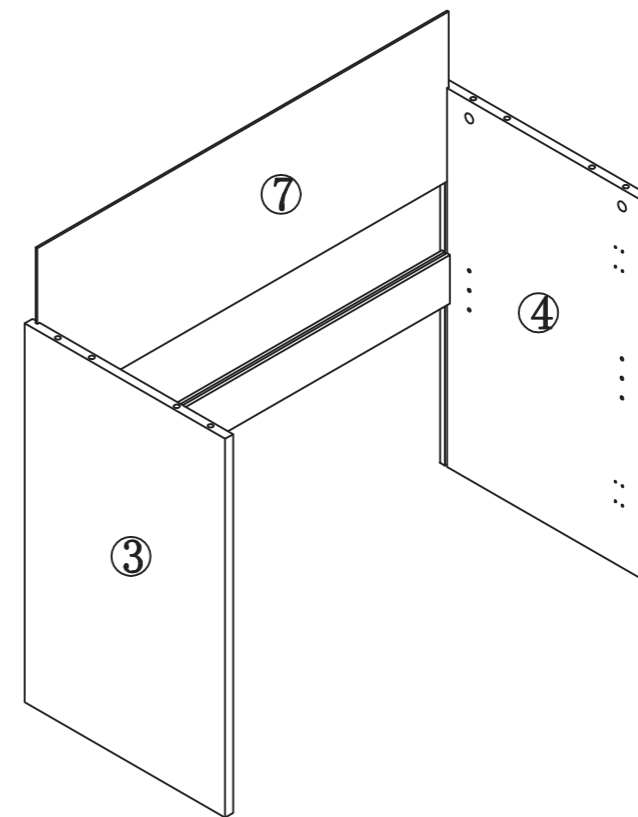


6

Step 3



Step 4



7