

## CARE AND MAINTENANCE

Store outdoor furniture indoors or cover well when not in use.

Remove wooden furniture from standing water. Dust regularly with small brush or vacuum

Spills should be taken care of immediately before they harden or stain with a slightly dampened sponge.

## NOTICE

- \* Please make sure that you have all parts indicated before you begin assembly of this item
- \* This item should be assembled on a soft surface to prevent scratching the finish during assembly
- \* This item may require periodic tightening

**Weight Capacity : 40 lbs**

**Warning : Do not stand on table**

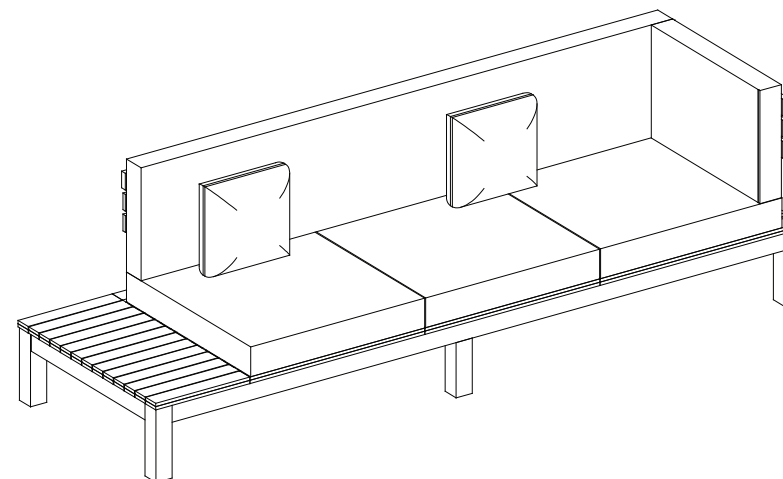
**Warning : Do not over torque bolts / screws**



## Part List and Hardware List

PIECE	DESCRIPTION	PICTURE	QUANTITY
A	Leg 1		4X
B	Leg 2		2X
C	Frame Seat		1X
D	Frame Back 1		1X
E	Frame Back 2		1X
F	Cushion Seat		3X
G1	Cushion Back		1X
G2	Cushion Back		1X
G3	Pillow		2X
H	Bolt	 M8x40 mm	10X
I	Bolt	 M8x50 mm	12X
K	Washer	 Ø 8.5x20x2mm	12X
L	Allen key	 LG4	1X

Product Dimensions: 25.39" W x 82.68" D x 27.56" H



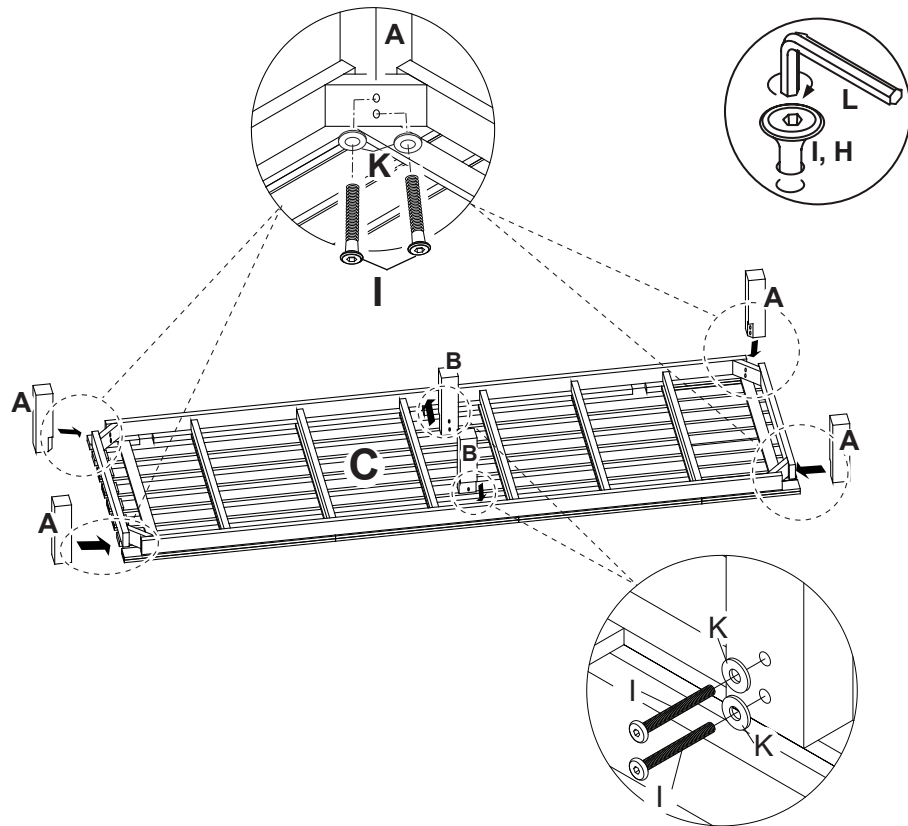
## PREPARATION

Before beginning assembly of product, make sure all parts are present. Compare parts with package contents list and hardware contents list. If any part is missing or damaged, do not attempt to assemble the product.

Estimated Assembly Time: 10 minutes.

Tools Required for Assembly (included): Allen Key

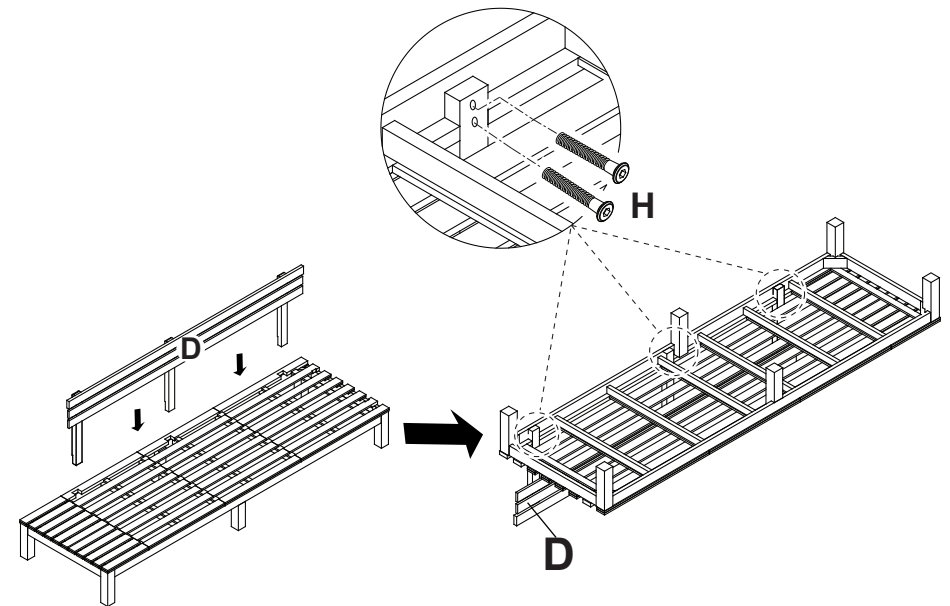
1



### Step 1

Attach Leg 1 (A) and Leg 2 (B) to Frame Seat (C), use allen key (L) to tighten Bolt (I), Washer (K) to Frame (C) and Leg 1 (A). use allen key (L) to tighten Bolt (I), Washer (K) to Leg (B) and Frame Seat (C).

2



### Step 2

Attach Frame Back 1 (D) to Frame Seat (C), use allen key (L) to tighten Bolt (H).

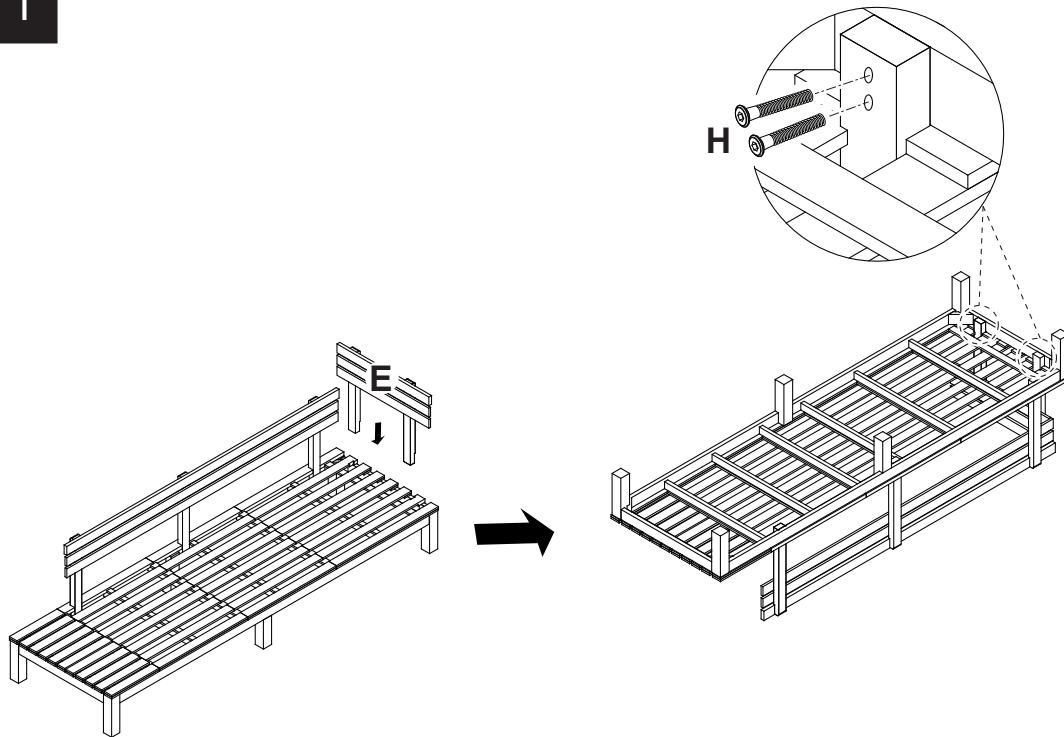
## PREPARATION

Before beginning assembly of product, make sure all parts are present. Compare parts with package contents list and hardware contents list. If any part is missing or damaged, do not attempt to assemble the product.

Estimated Assembly Time: 10 minutes.

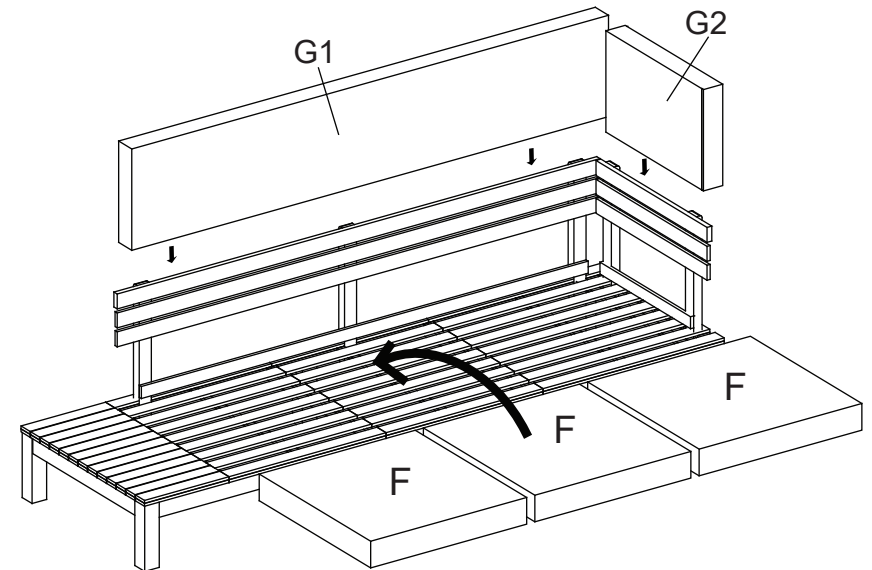
Tools Required for Assembly (included): Allen Key

1



Step 3  
Attach Frame Back 2 (E) to Frame Seat (C), use allen key (L) to tighten Bolt (H).

2



Step 4  
Attach Cushion Seat and Cushion back.

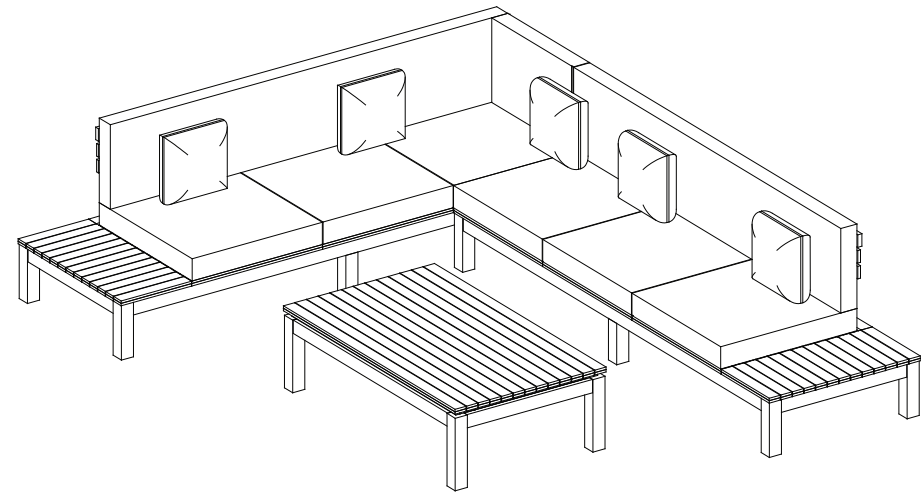
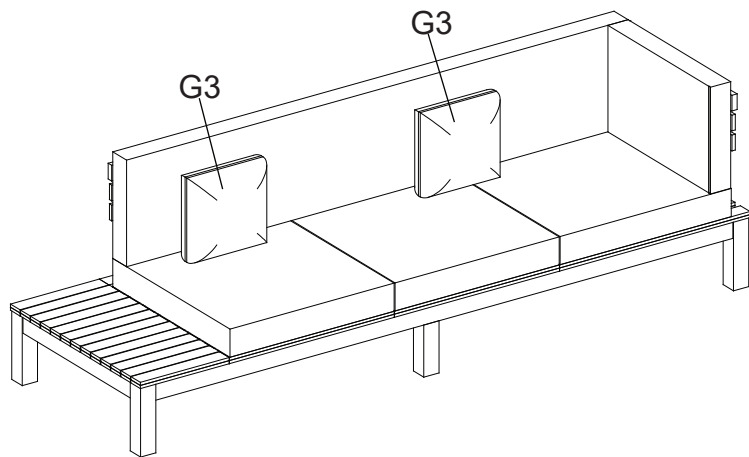
## PREPARATION

Before beginning assembly of product, make sure all parts are present. Compare parts with package contents list and hardware contents list.  
If any part is missing or damaged, do not attempt to assemble the product.

Estimated Assembly Time: 10 minutes.

Tools Required for Assembly (included): Allen Key

5



Step 5  
Complete.