

CARE AND MAINTENANCE

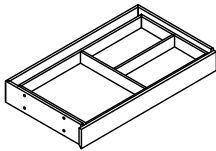
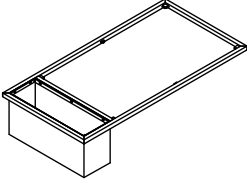
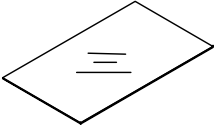
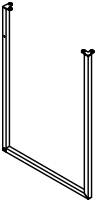
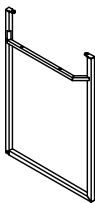

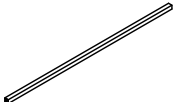

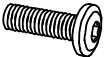
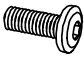

Spot clean using a mild water-free solvent. Only a professional cleaner should undertake a complete overall cleaning.
The use of steam or water-based cleaners may cause excessive shrinking or staining.

NOTICE

- * Please make sure that you have all parts indicated before you begin assembly of this item
- * This item should be assembled on a soft surface to prevent scratching the finish during assembly
- * This item may require periodic tightening

DIMENSIONS: 39.4"L x 19.7"D x 29.5"H

Part List and Hardware List

PIECE	DESCRIPTION	PICTURE	QUANTITY
A	body		1X
B	metal plate		1X
C	glass		1X
D	metal legs-1		1X
E	metal legs-2		1X
F	metal bar-1		1X
G	metal bar-2		1X
HW1	screw M6*1.2*30MM		4X
HW2	screw M6*1.2*25MM		2X
HW3	screw M6*1.2*14MM		12X
HW4	allen wrench M6		1X

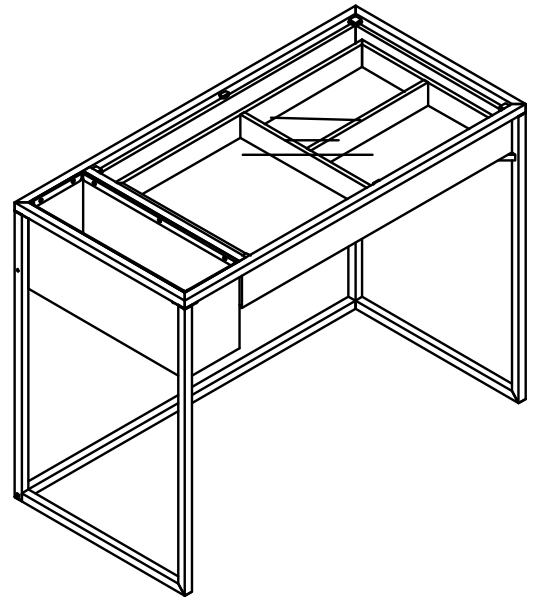


TABLE TOTAL WEIGHT CAPACITY: 110 LBS

WARNING: DO NOT STAND ON DESK
WARNING: DO NOT OVER TORQUE BOLTS/SCREWS

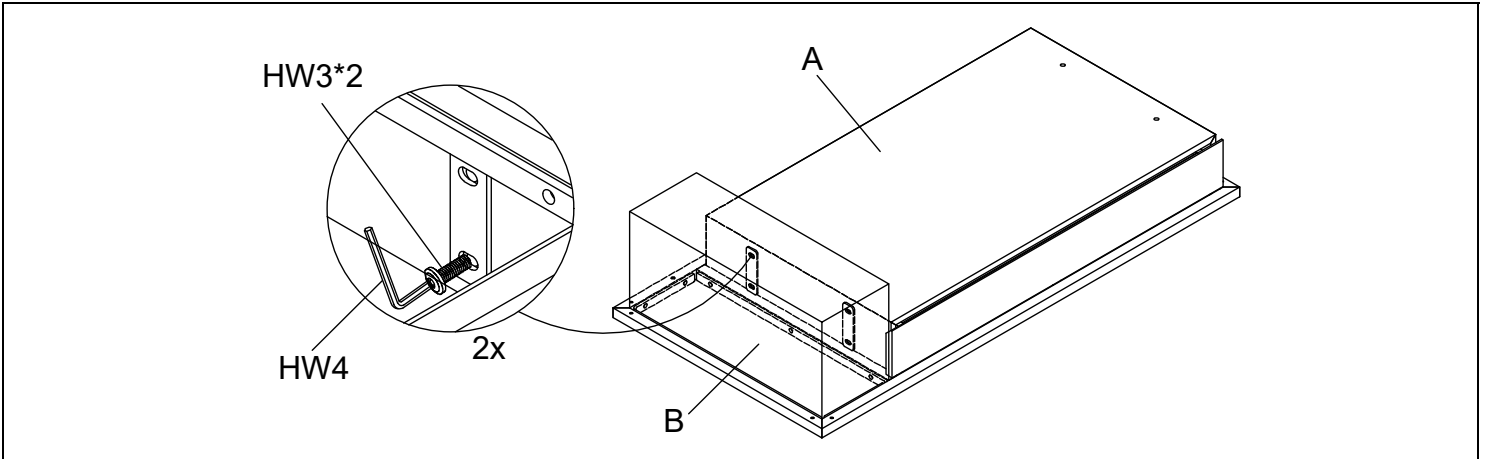
PREPARATION

Before beginning assembly of product, make sure all parts are present. Compare parts with package contents list and hardware contents list.

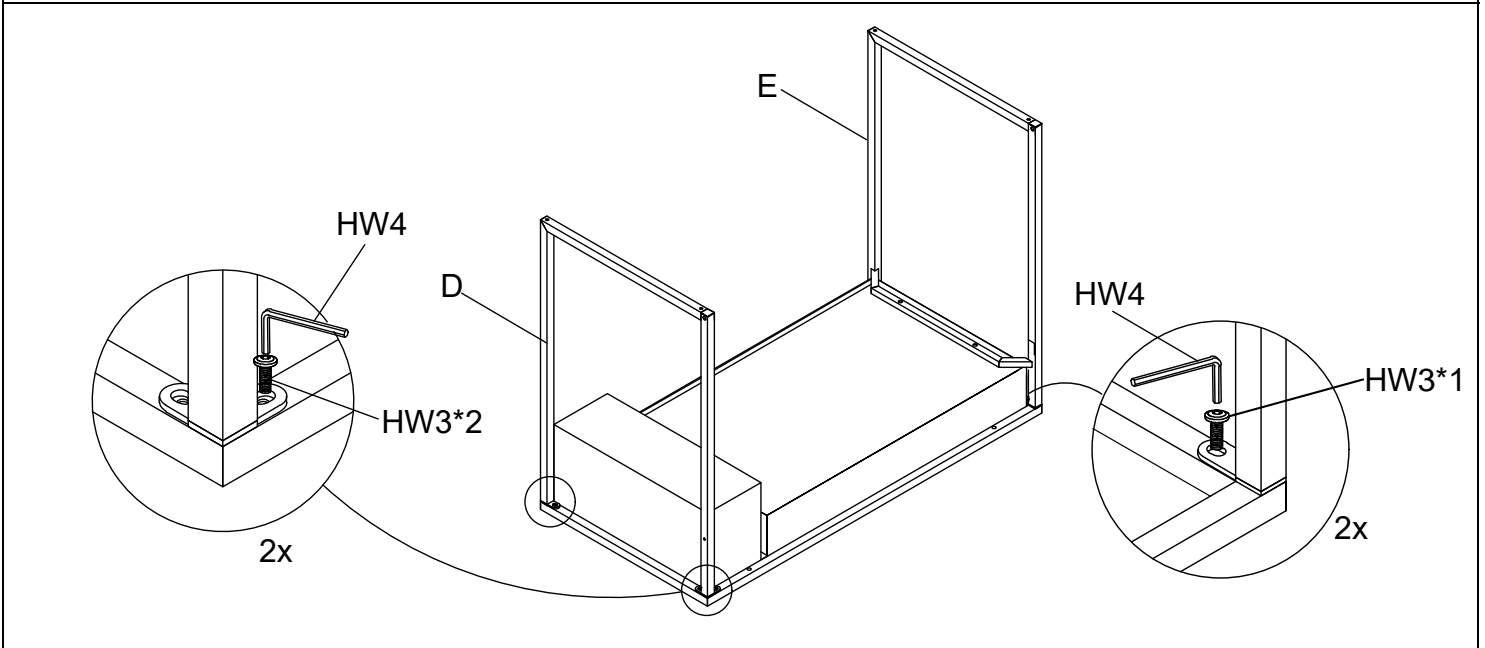
If any part is missing or damaged, do not attempt to assemble the product.

Estimated Assembly Time: 15 minutes.

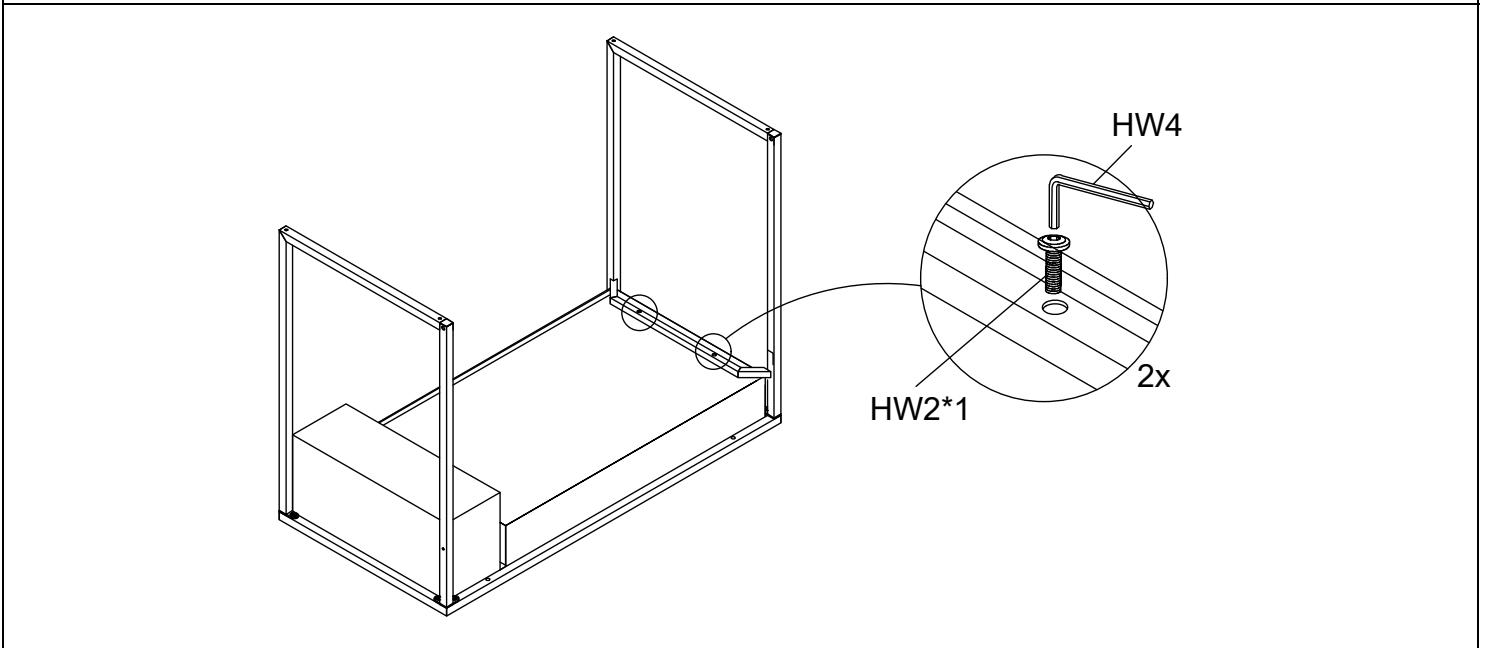
Tools Required for Assembly (included): Allen Key



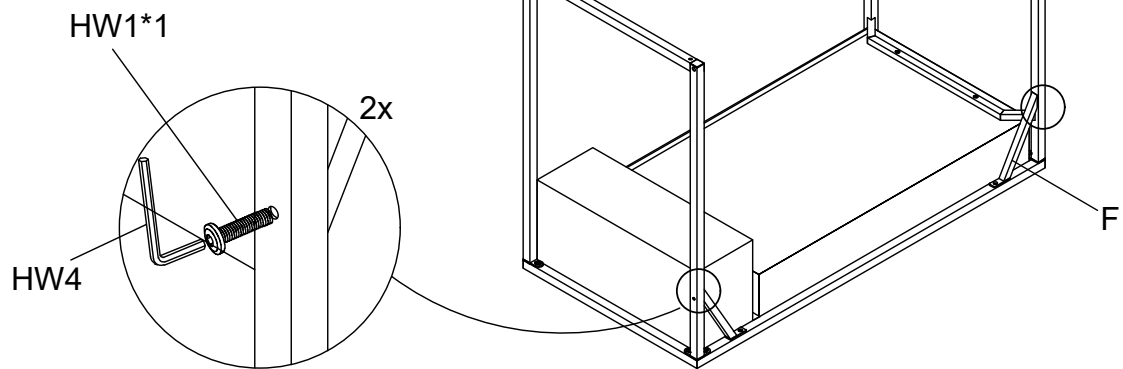
STEP1 assemble body and metal plate.



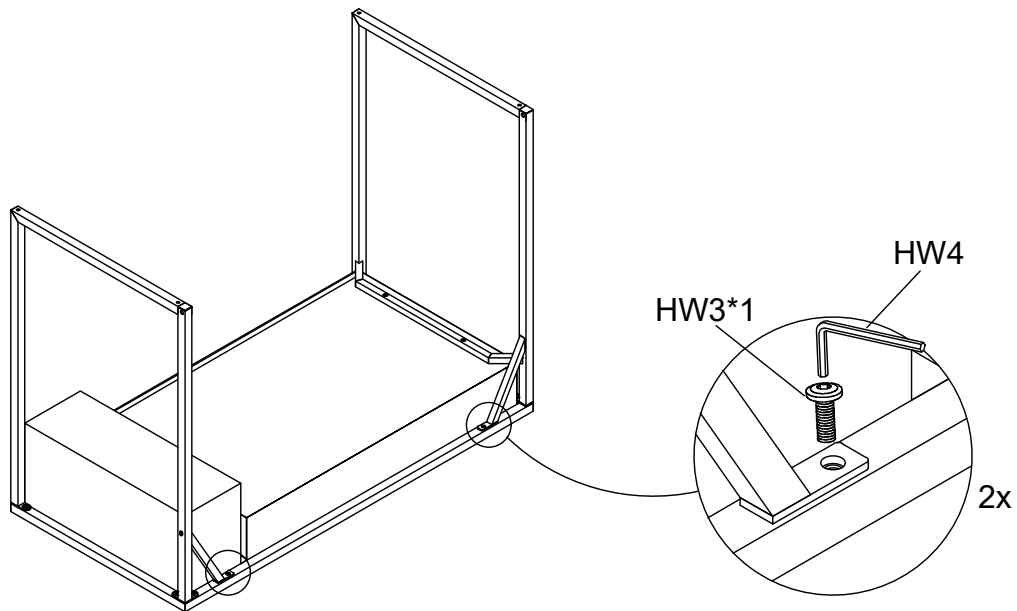
STEP2 assemble metal legs-1 and metal legs-2 on the body.



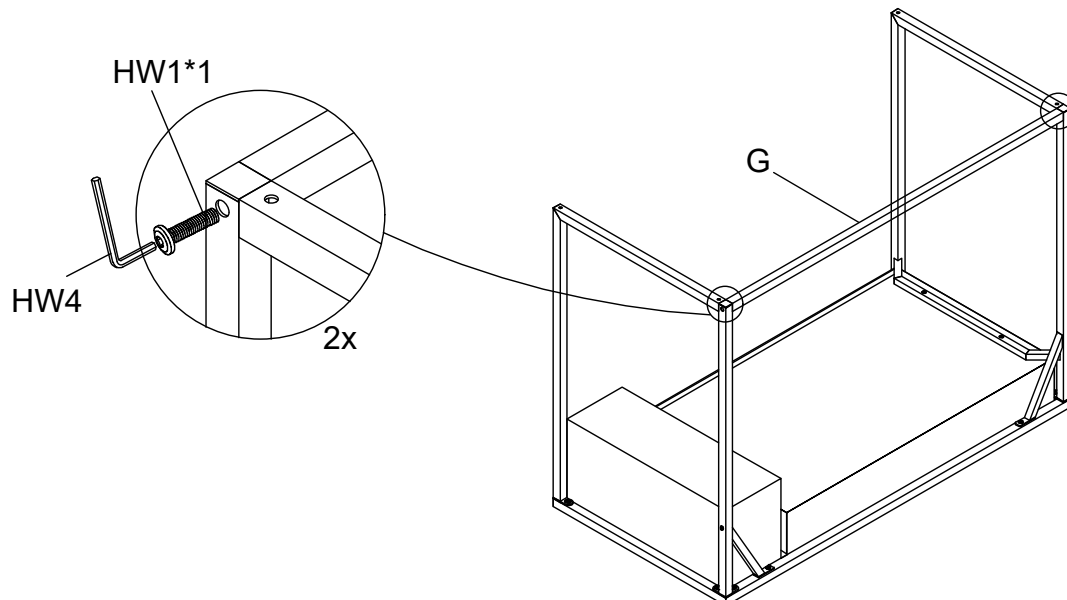
STEP3 assemble metal legs-2 on the body.



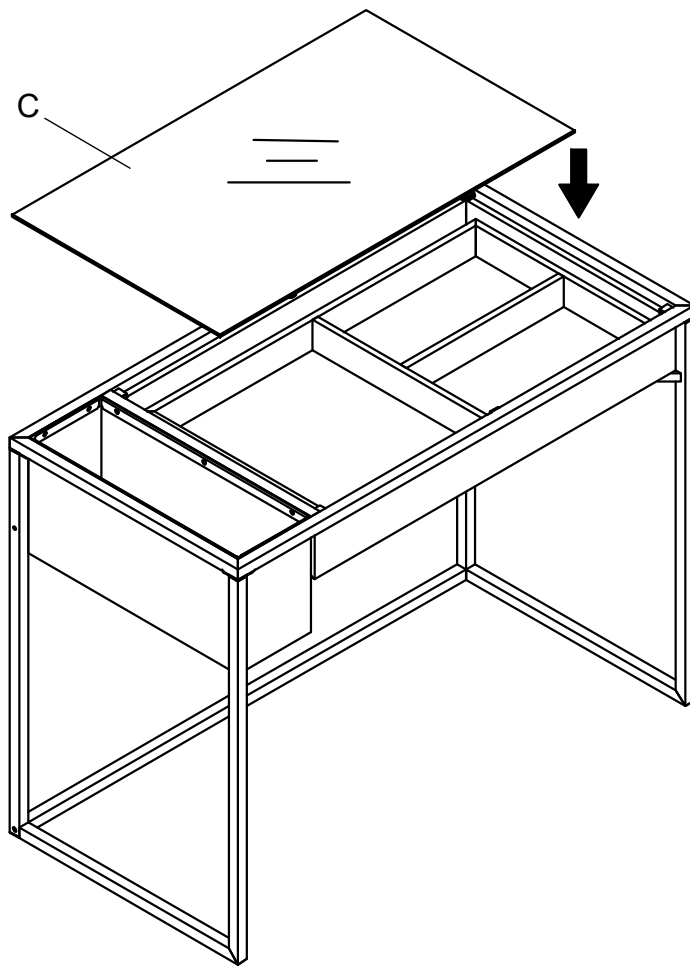
STEP4 assemble metal legs and the metal bar-1.



STEP5 assemble metal plate and the metal bar-1.



STEP6 assemble metal legs and the metal bar-2.



STEP7 put the glass on the body.