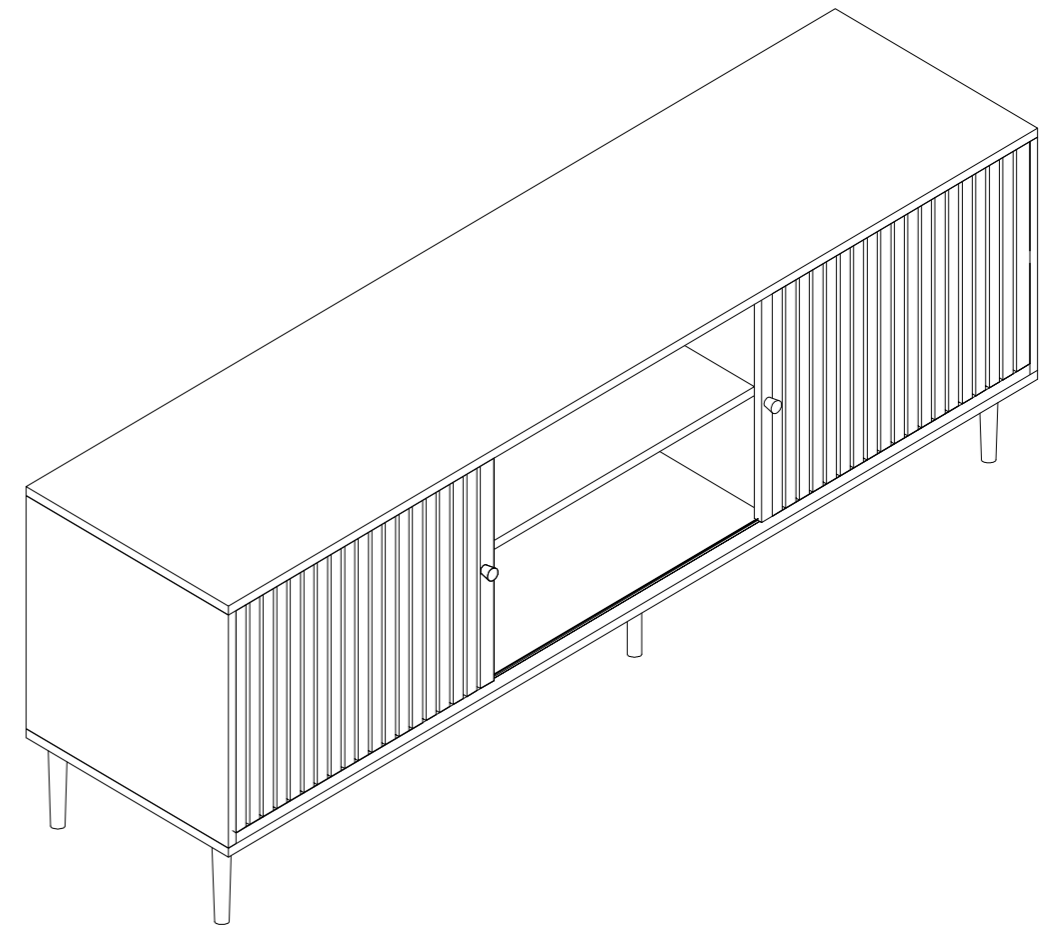
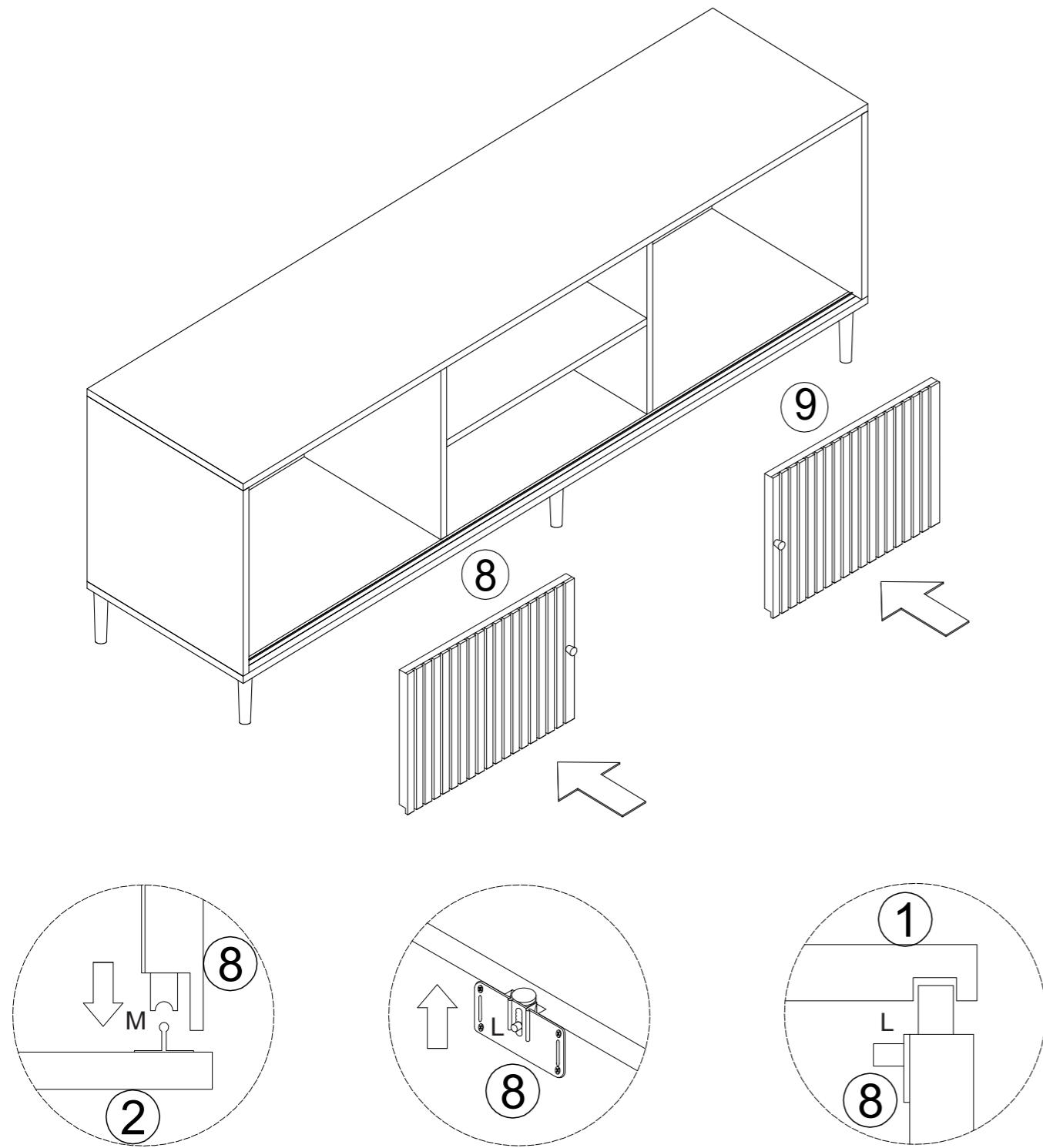


STEP 7

Installation Instruction



Assembling

What's included

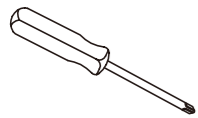
Code	Description	Qty
A	Cam Bolt M6X35MM	12
B	Cam Lock 15X10MM	12
C	Wooden Dowel M6X30MM	20
D	Plastic corner support	6
E	Screw M3X14MM	6
F	Screw M3X12MM	4
G	Screw M4X35MM	8
H	Metal Pin Hinge	4
I	Screw M4X14MM	20
J	Handle	2
K	Bolt M4X16MM	2
L	Sliding Door Hanger	4
M	Sliding Door Roller	4
N	Screw M3X14MM	32

Estimated time for assembly



What you need

- Use the packaging carton as a working surface to prevent product damage during assembly
- Phillips head screwdriver

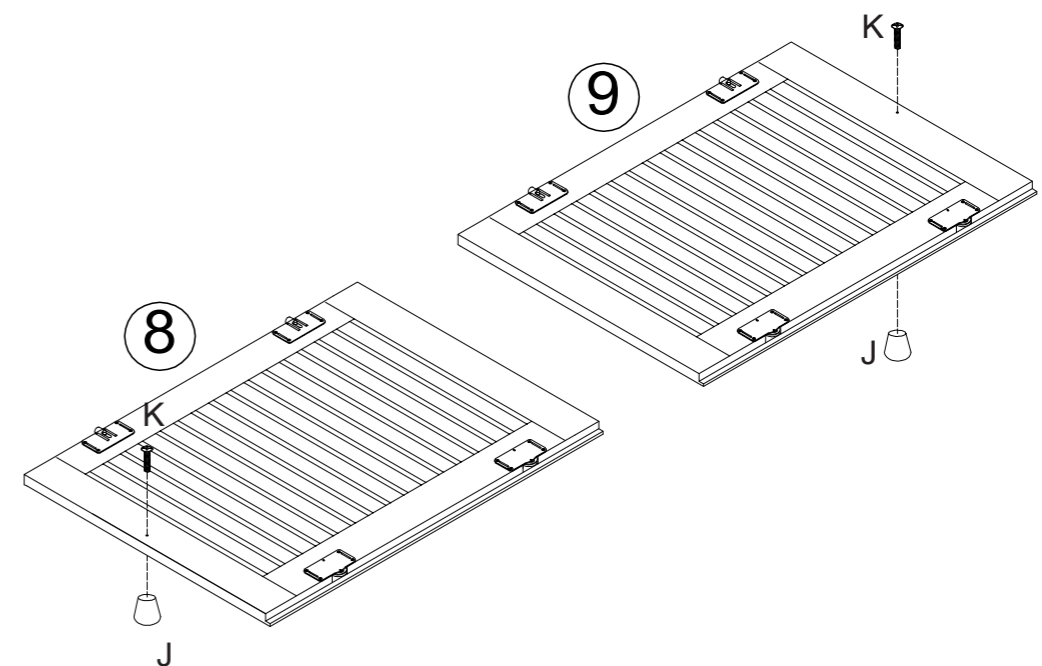
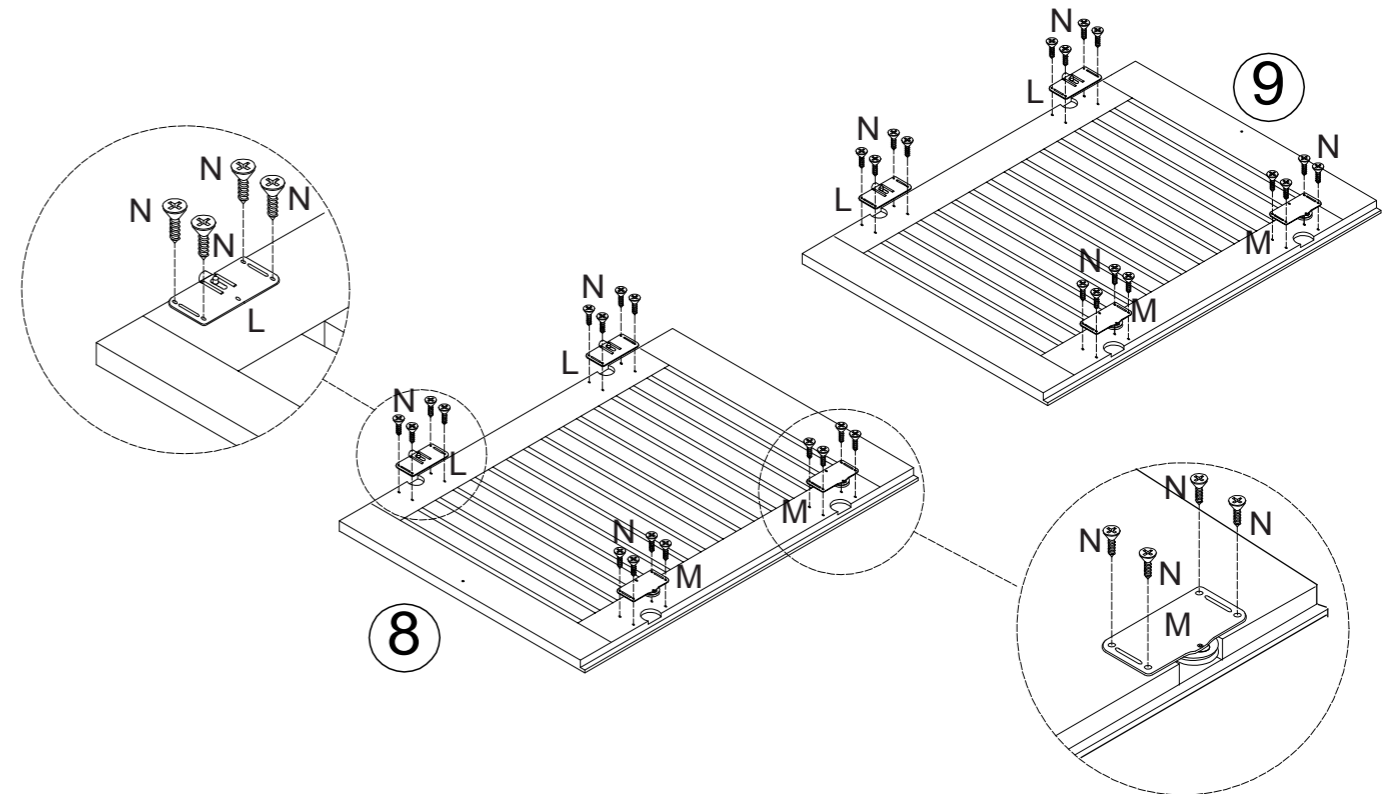


Weight Limitation






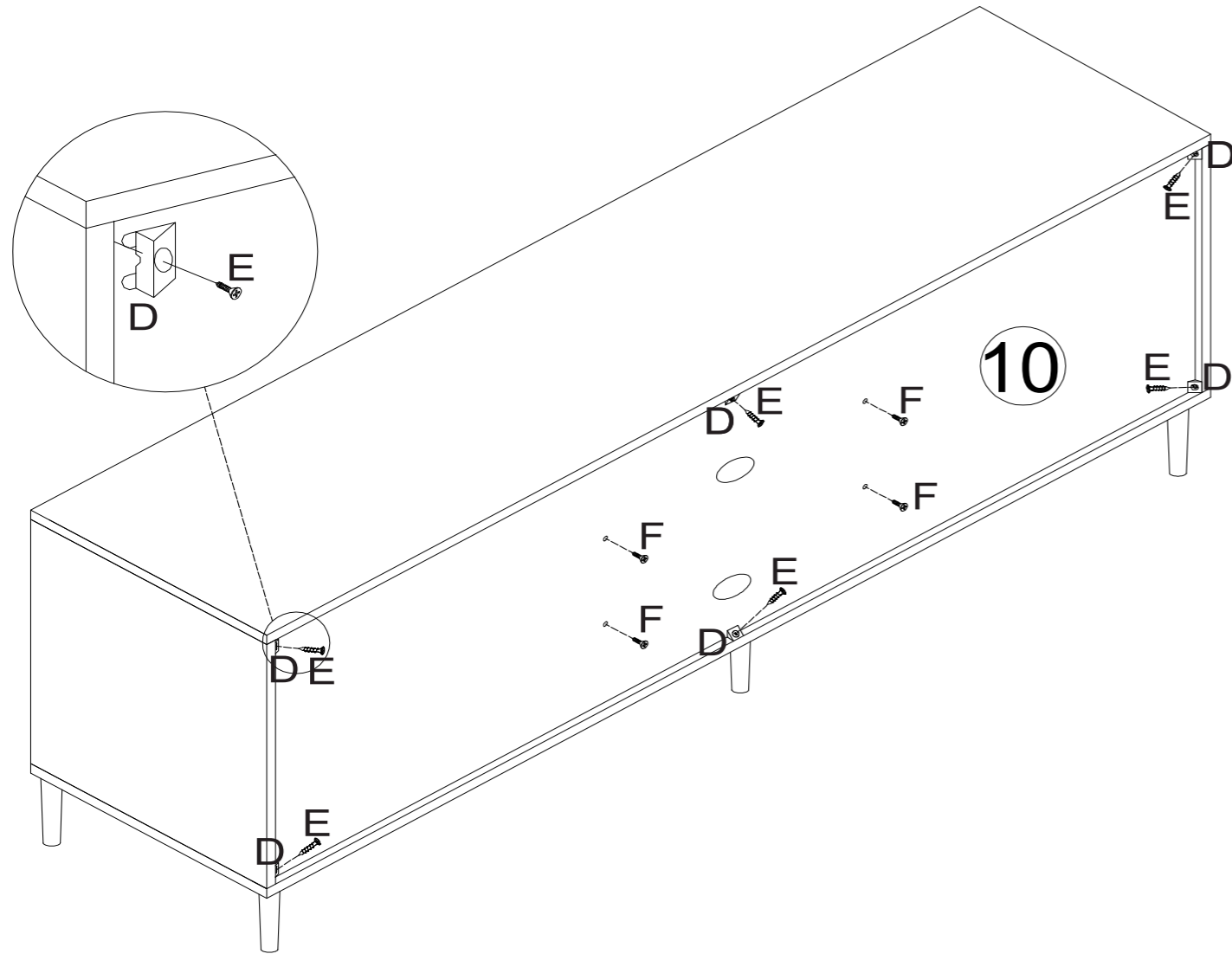
STEP 6

J	X2	K	X2	L	X4
		M	X4	N	X32

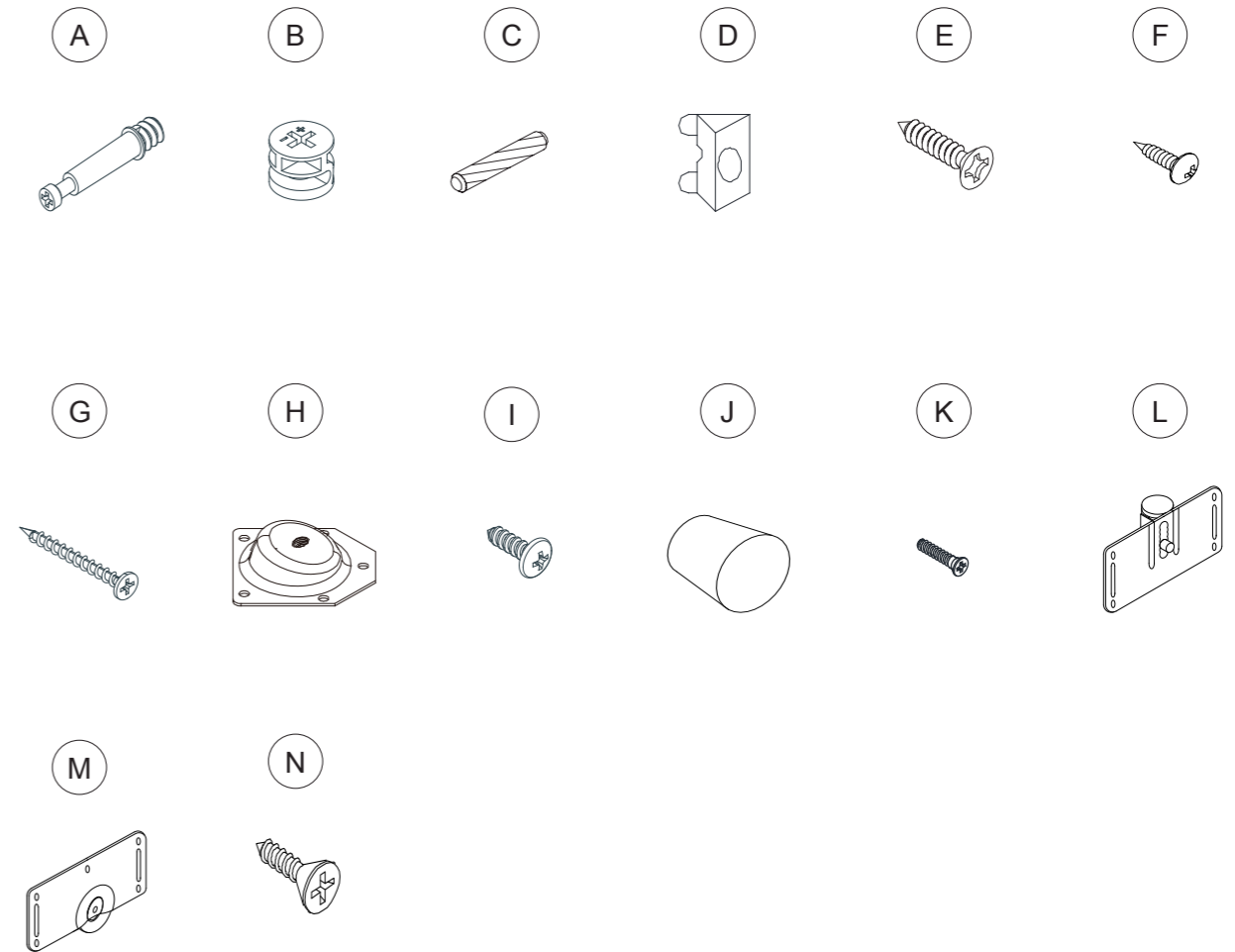


STEP 5

D	X6 E	X6 F	X4
			



The Hardwares





IMPORTANT:

1. Do not tighten bolts / screws completely until all bolts / screws are lined up and inserted into holes.
2. Do not over tighten screws and bolts to avoid stripping.
3. Please use hand tools to assemble this product. Do not use power tools.
4. Must need 2 people to assemble this product.



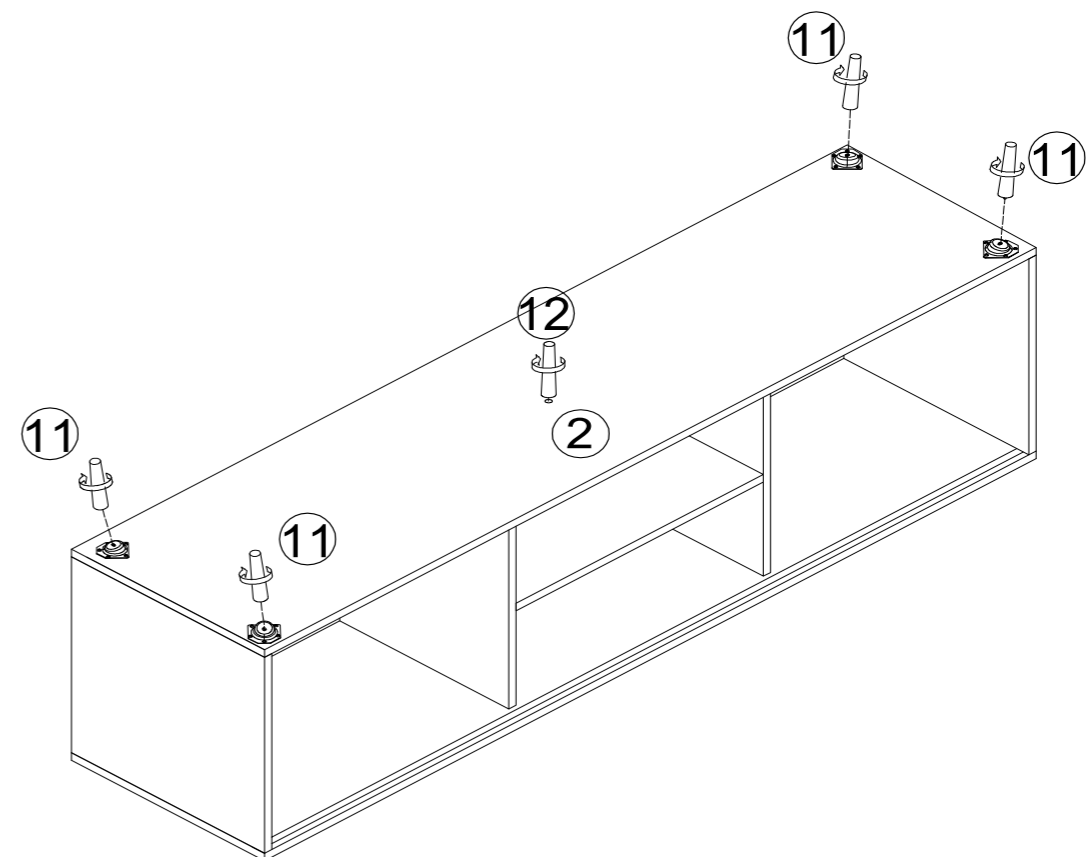
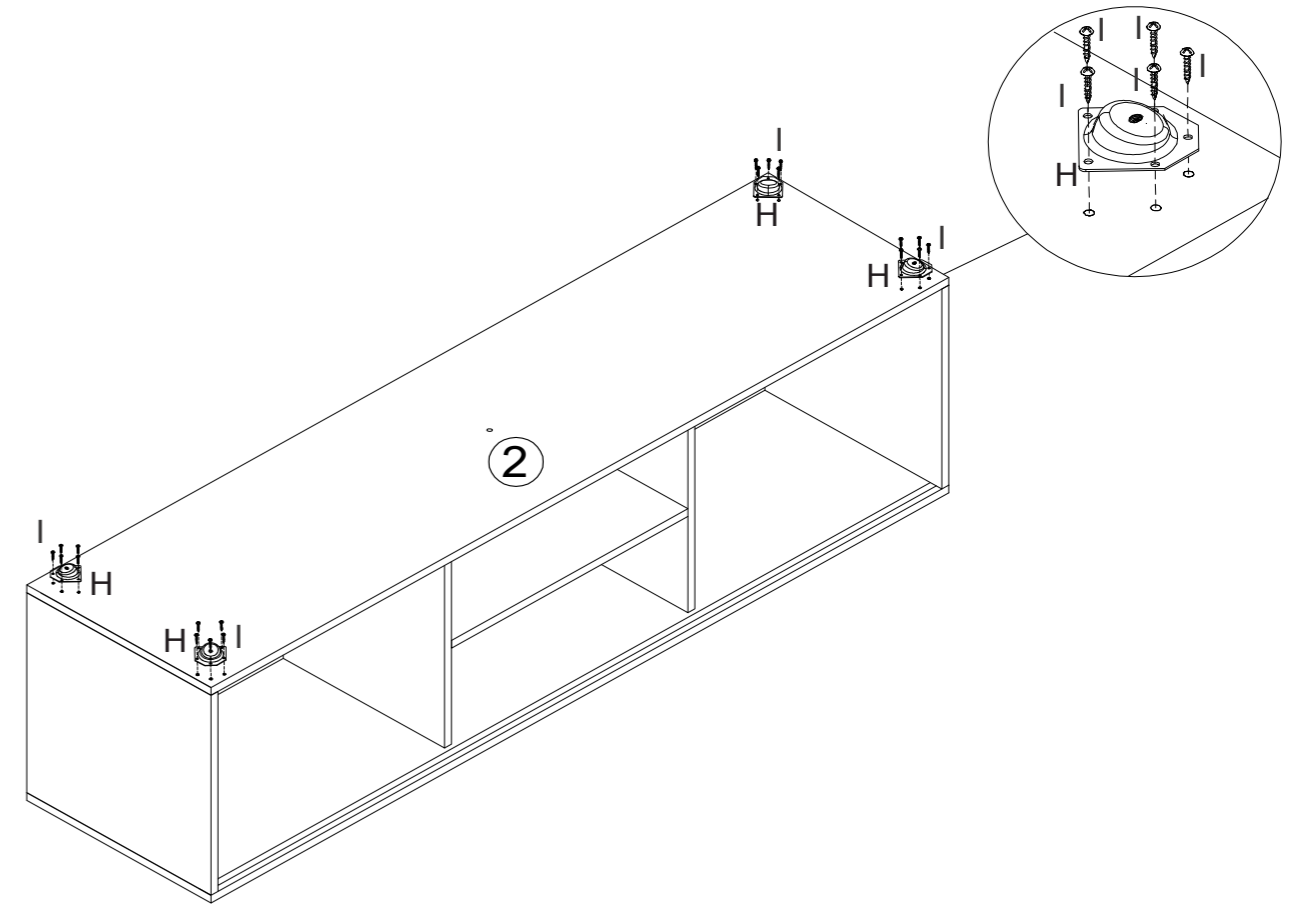
2 PERSONS

STEP 4

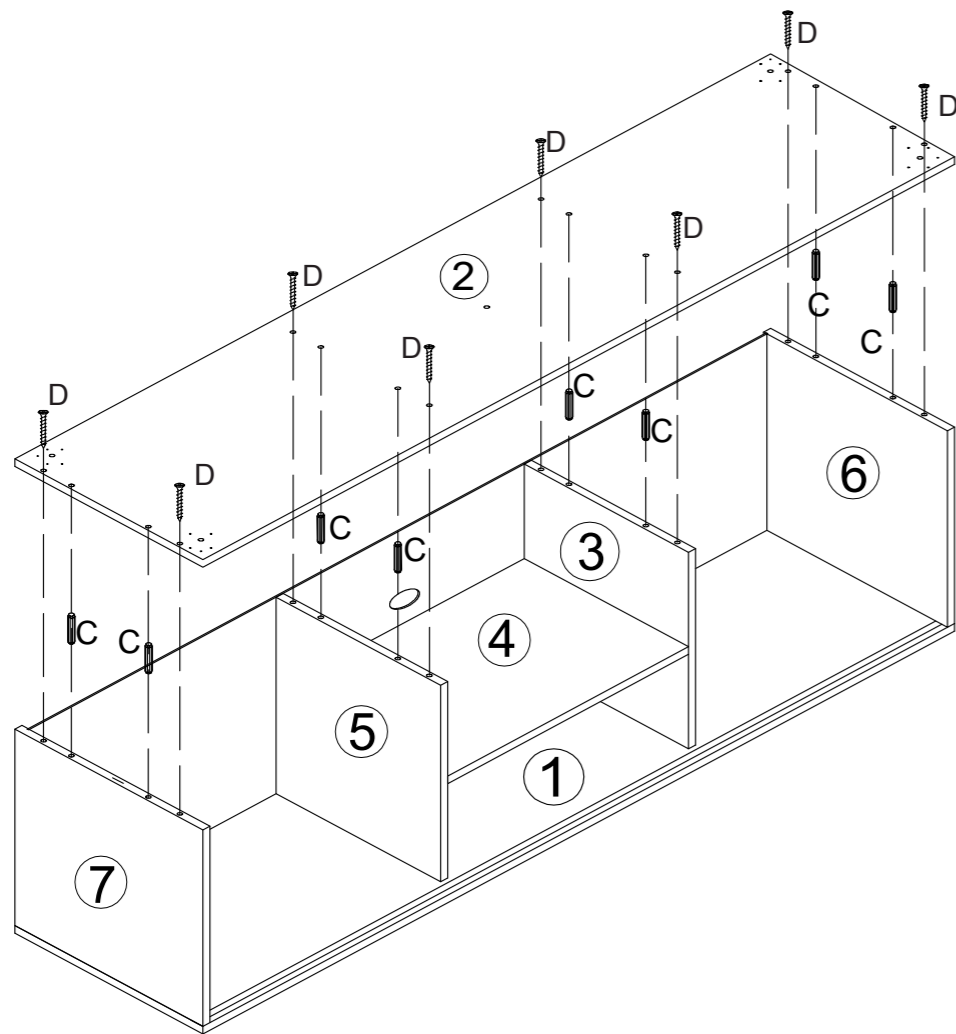
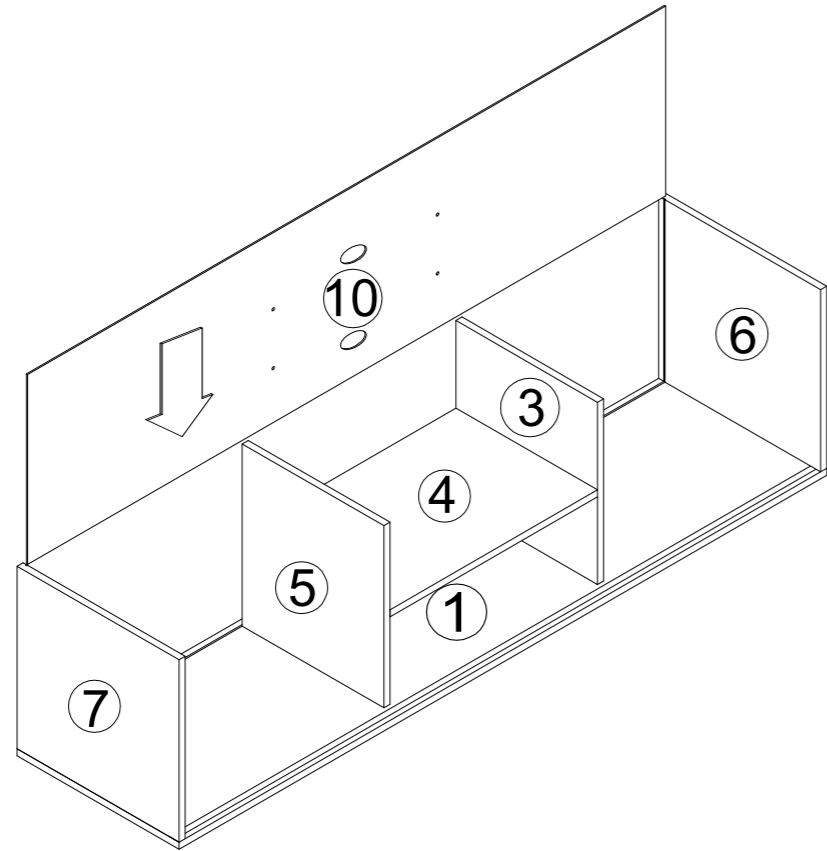
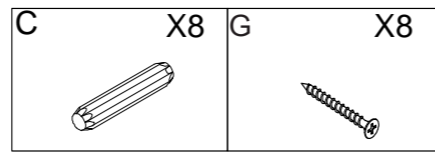
H	X4	I	X20
			

Included Accessories

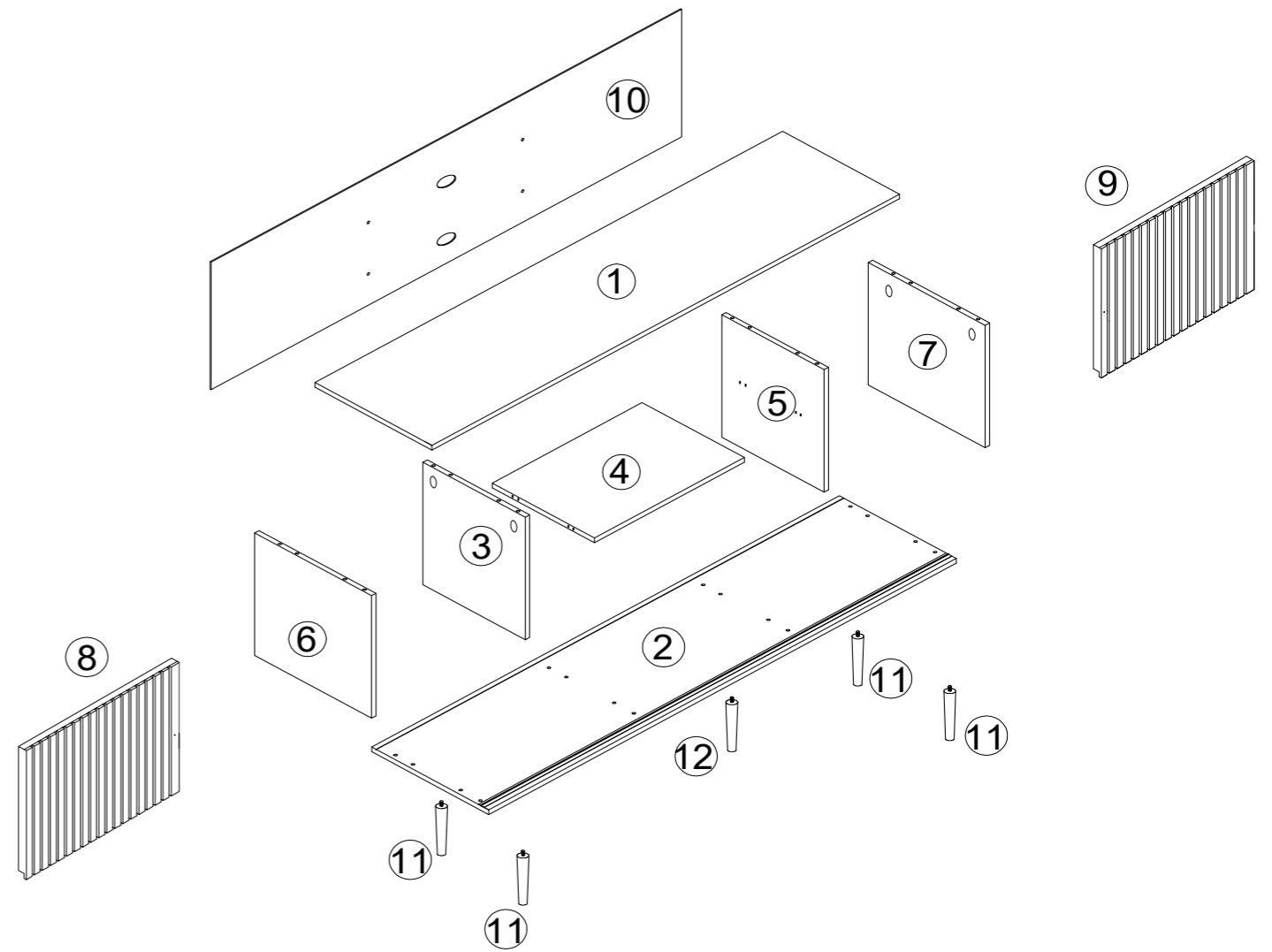
Code	Description	Qty
1	Cabinet Top	1
2	Bottom Panel	1
3	Left Middle Division Panel	1
4	Shelf	1
5	Right Middle Division Panel	1
6	Left Side Panel	1
7	Right Side Panel	1
8	Left Door	1
9	Right Door	1
10	Back Panel	1
11	Leg	4
12	Leg	1



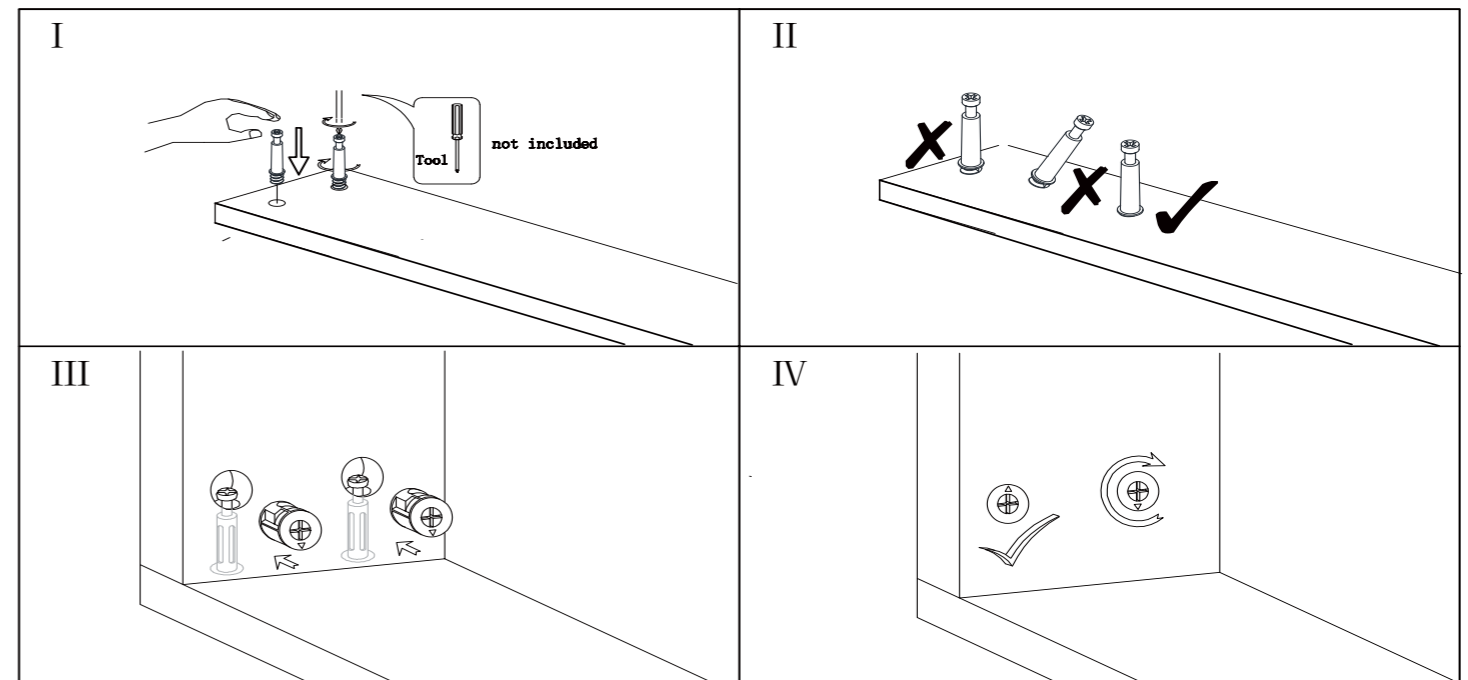
STEP 3



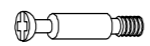

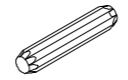
The Accessories

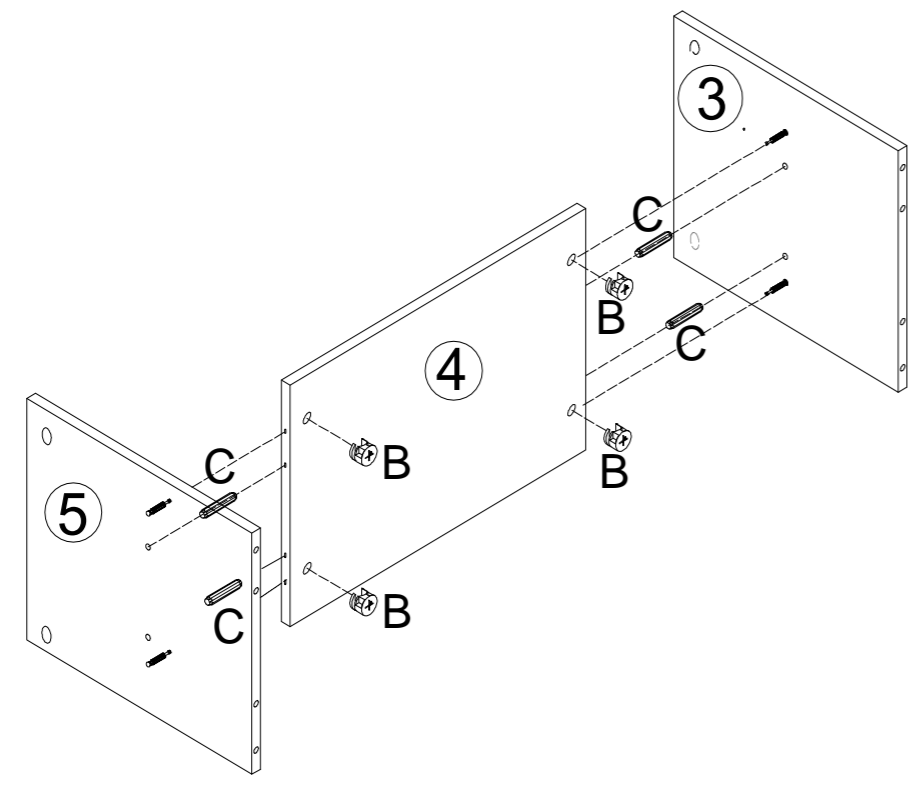
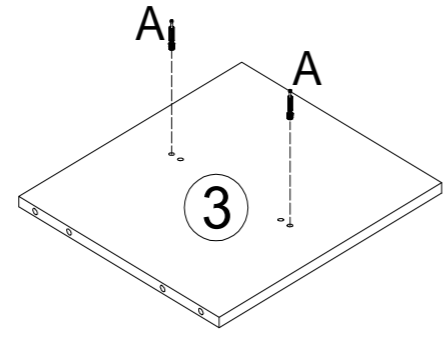
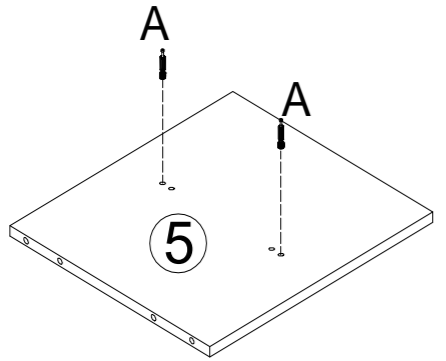


Noted :



STEP 1

A	X4	B	X4	C	X4
					



STEP 2

A	X8	B	X8	C	X8
