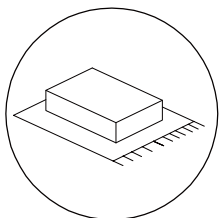
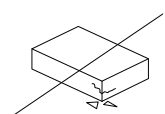


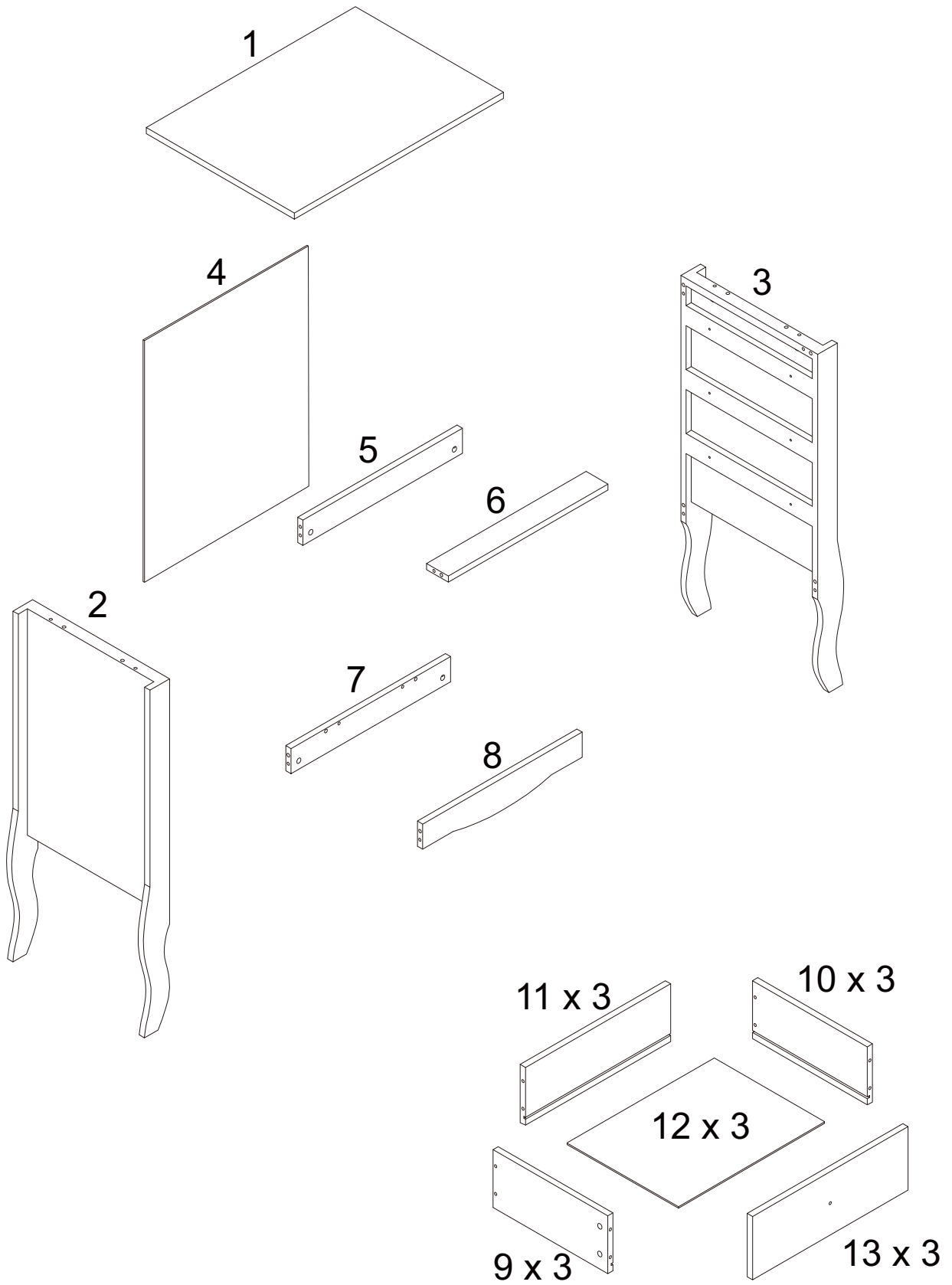
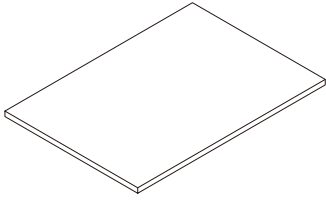

		<b>40'</b>
 		
		<b>1</b>

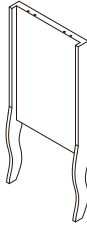


1



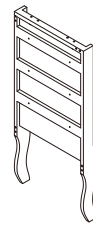
x 1

2



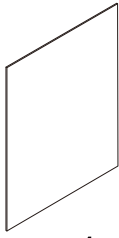
x 1

3



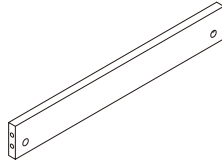
x 1

4



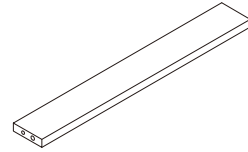
x 1

5



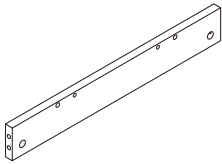
x 1

6



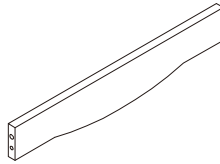
x 1

7



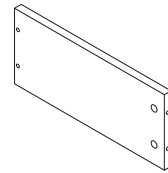
x 1

8



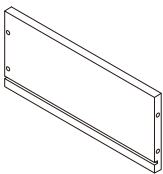
x 1

9



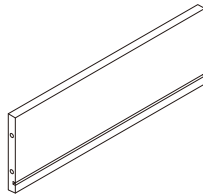
x 3

10



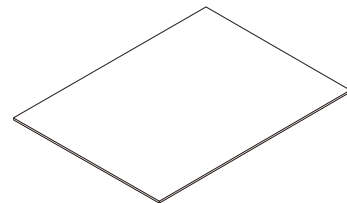
x 3

11



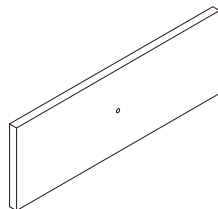
x 3

12



x 3

13



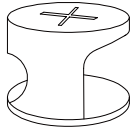
x 3

**A**



x 24

**B**



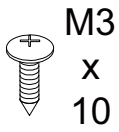
x 24

**C**



x 12

**D**



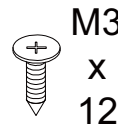
x 16

**E**



x 12

**F**



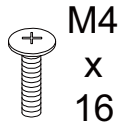
x 24

**G**



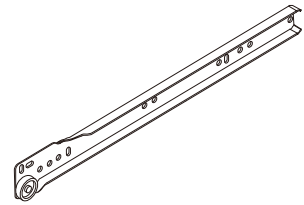
x 3

**H**



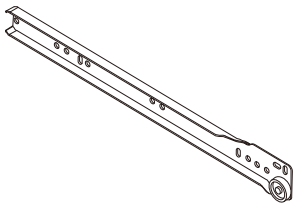
x 3

**CL**



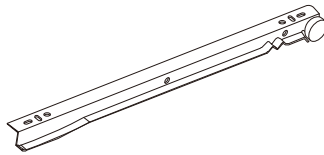
x 3

**CR**



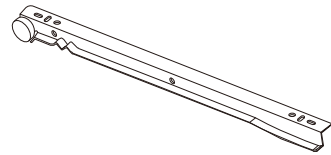
x 3

**DL**



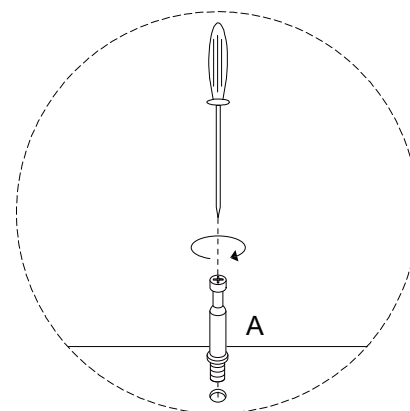
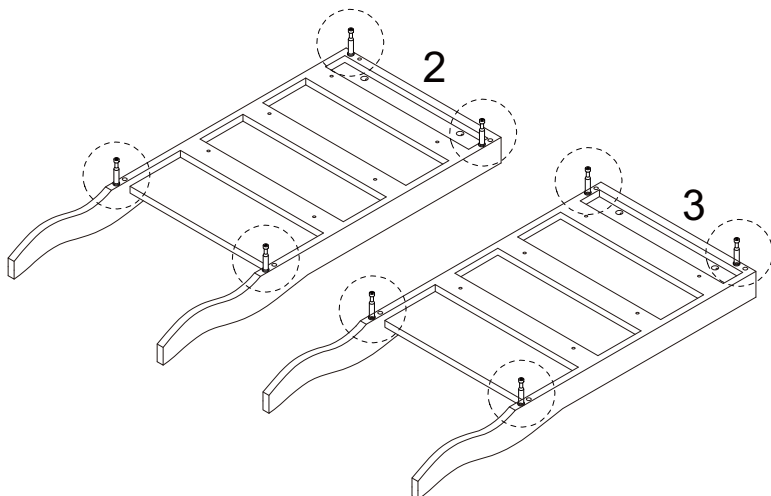
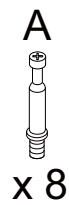
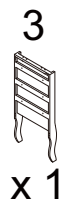
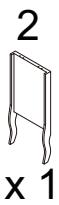
x 3

**DR**

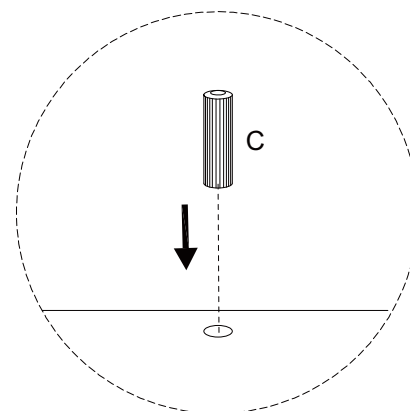
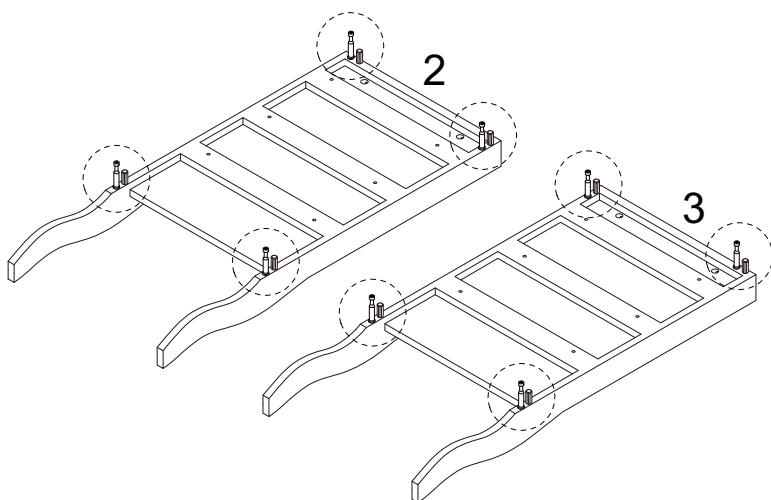
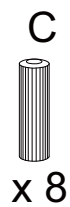


x 3

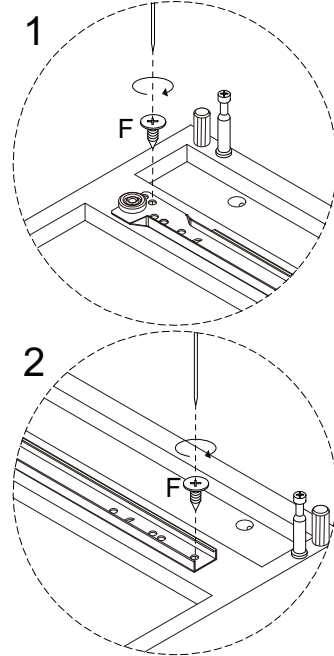
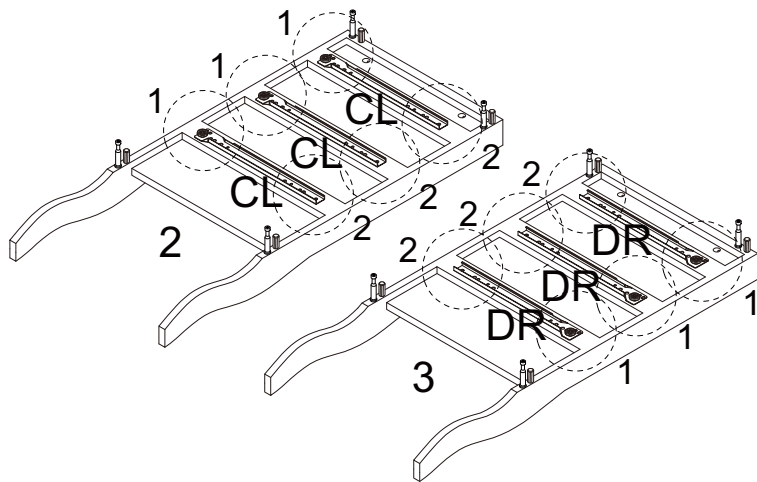
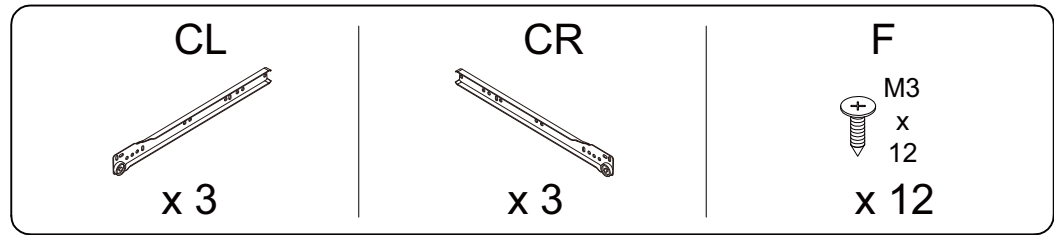
1



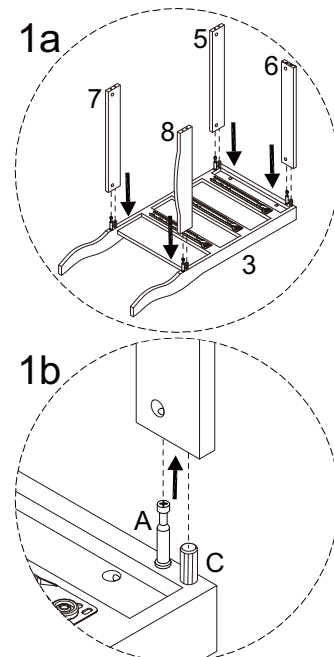
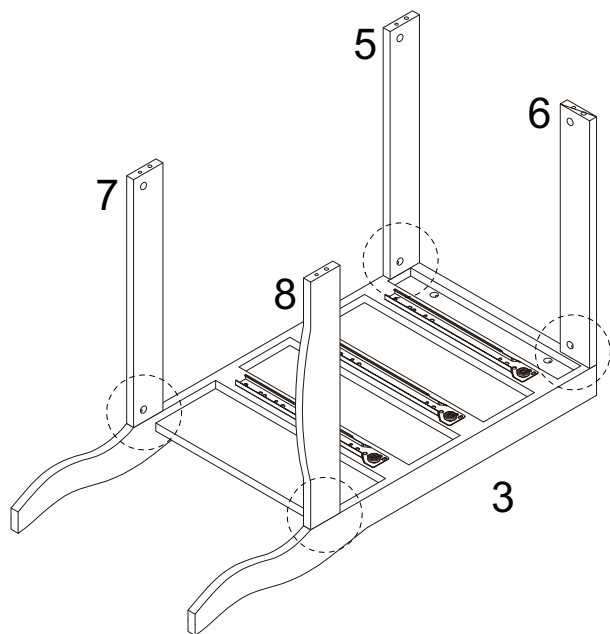
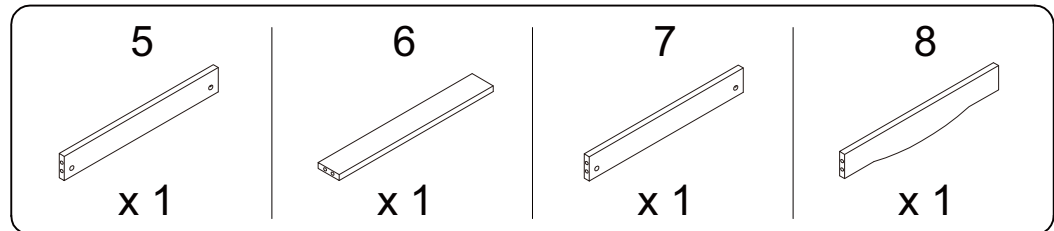
2



3



4

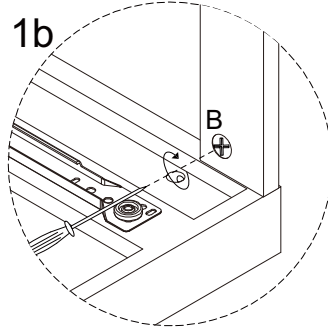
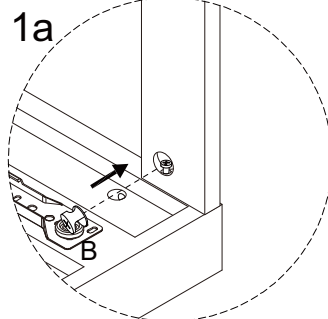
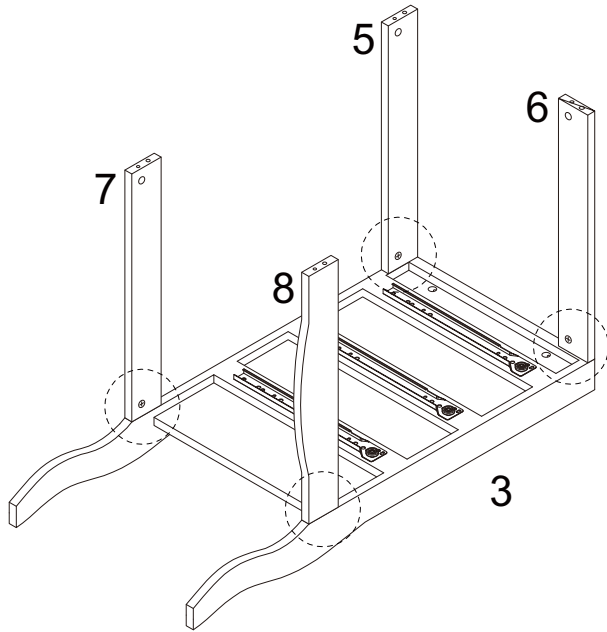


5

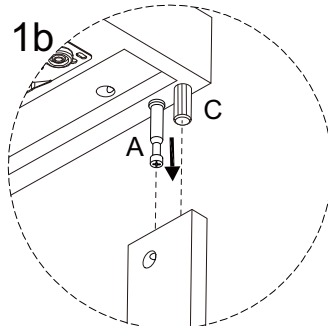
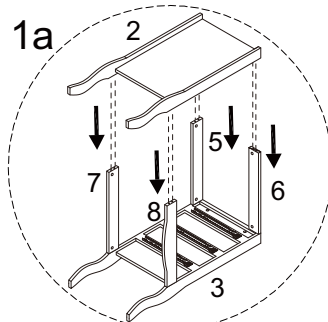
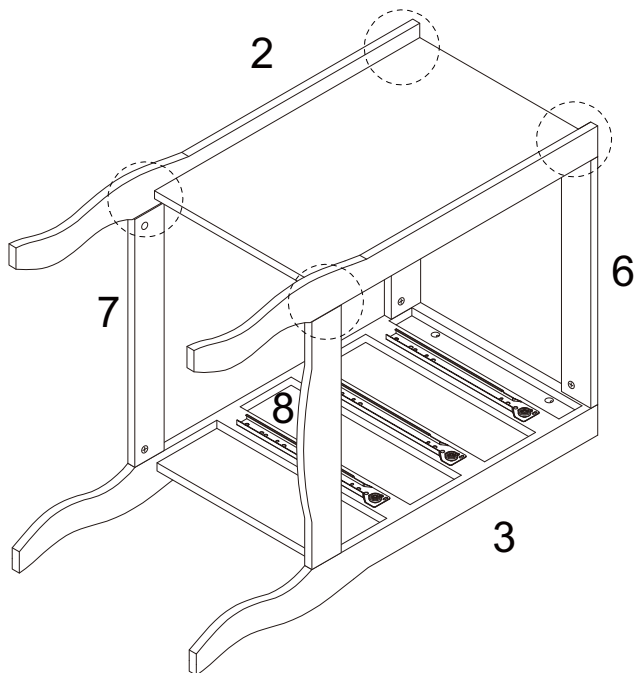
B



x 4



6

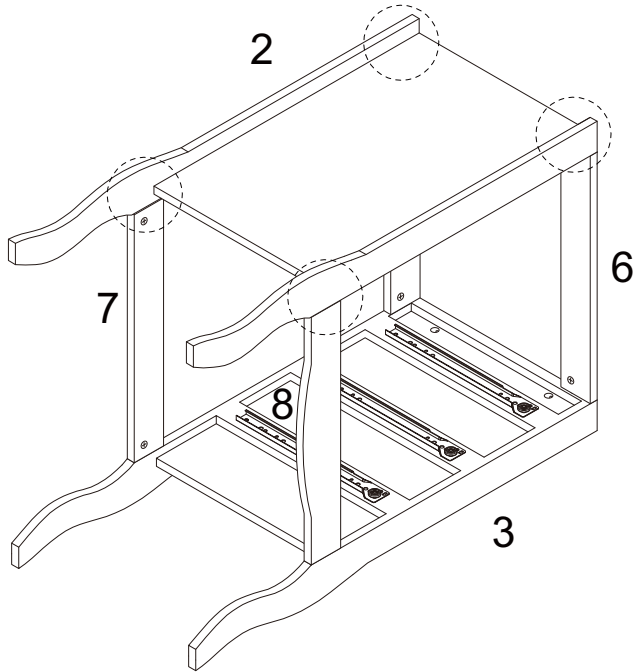


7

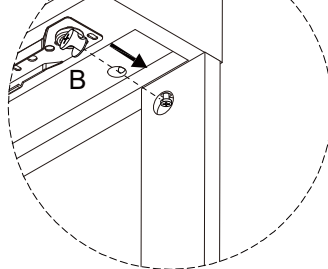
B



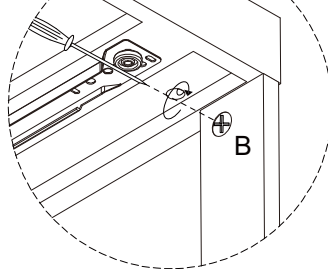
x 4



1a

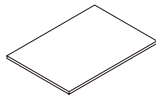


1b



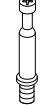
8

1

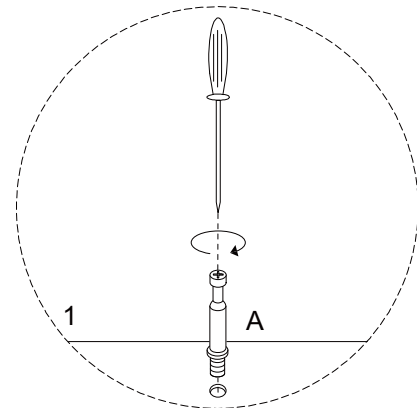
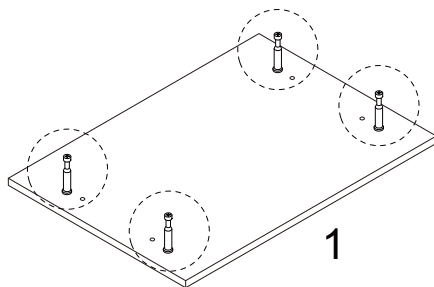


x 1

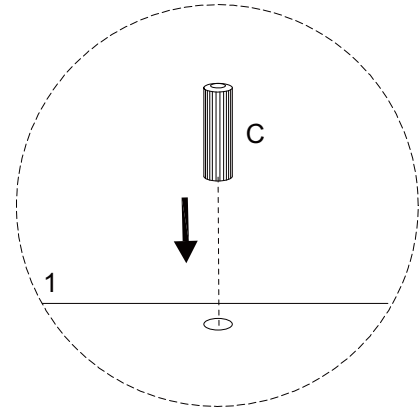
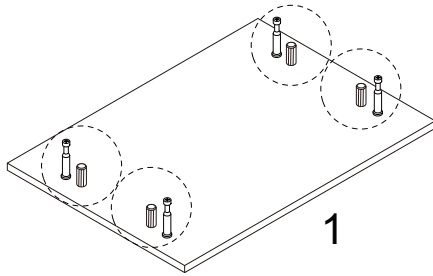
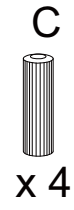
A



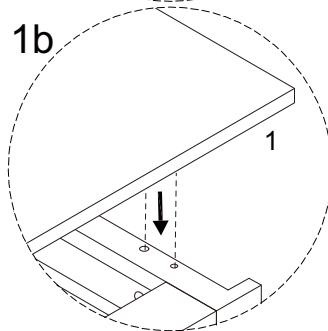
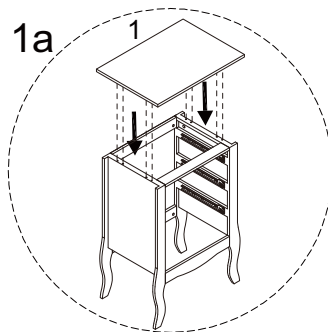
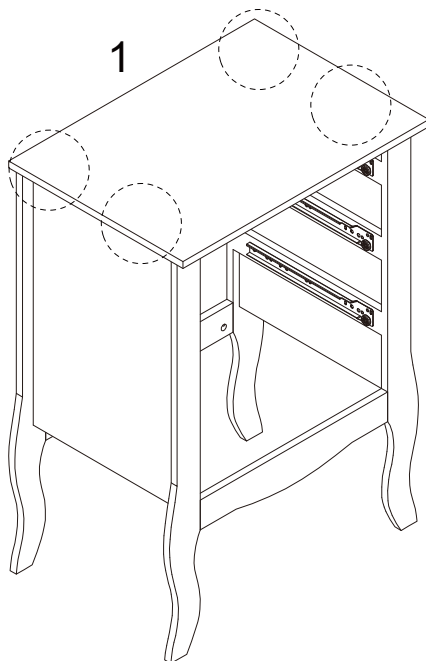
x 4



9



10

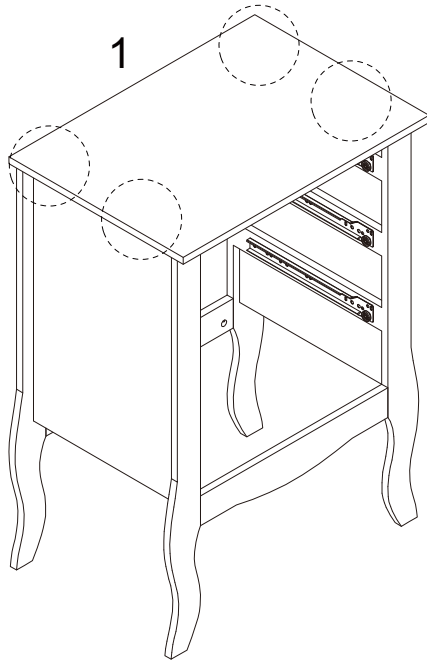


11

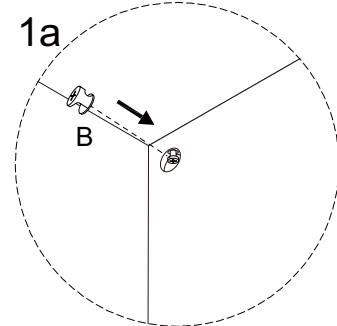
B



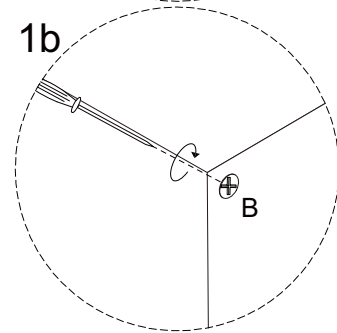
x 4



1a

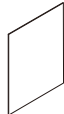


1b



12

4



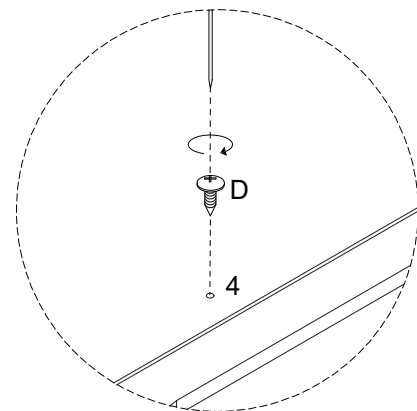
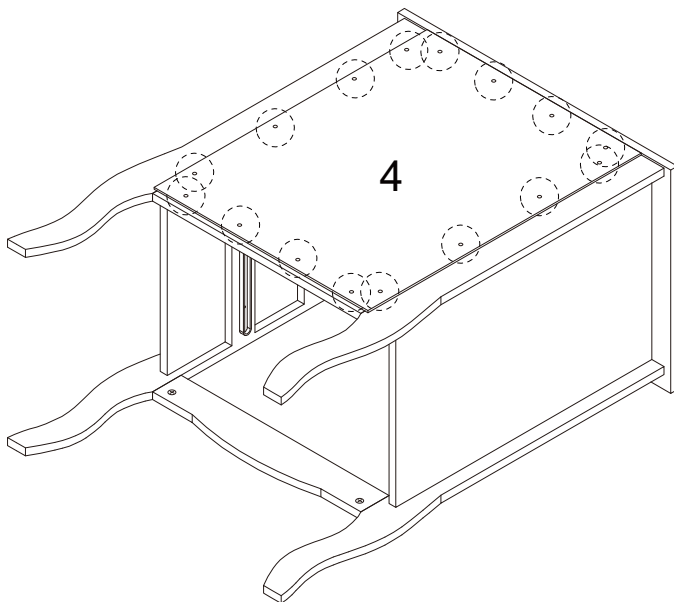
x 1

D

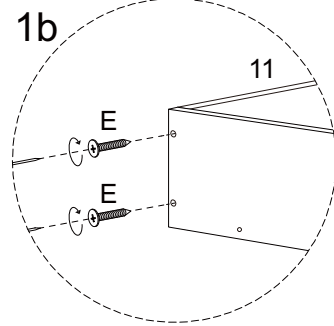
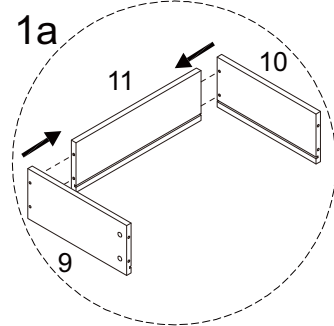
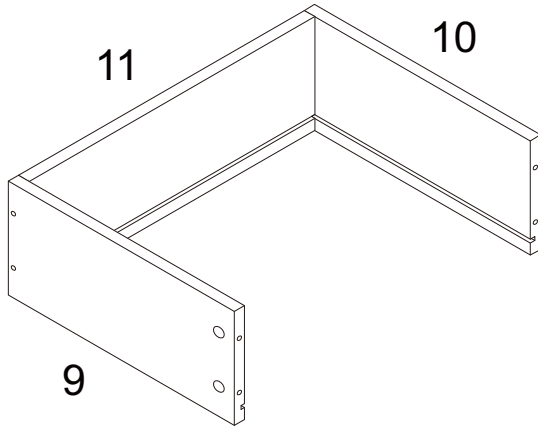
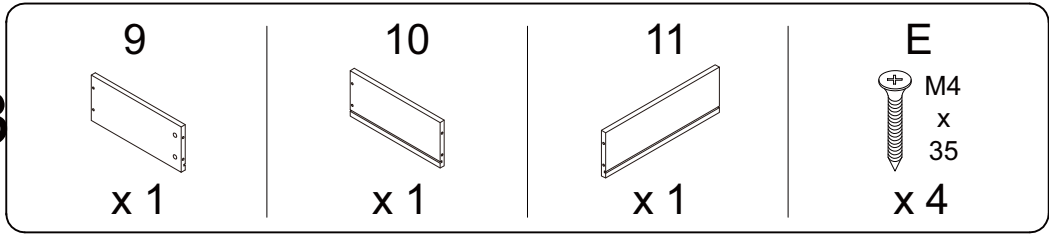


M3  
x  
10

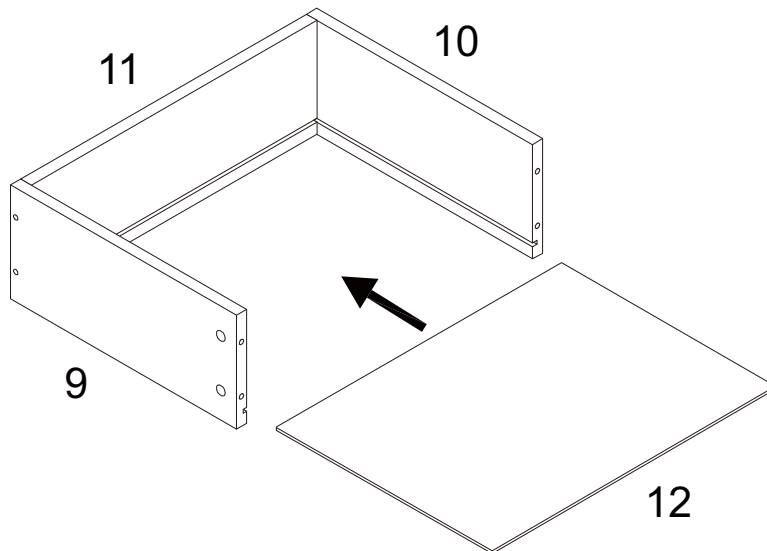
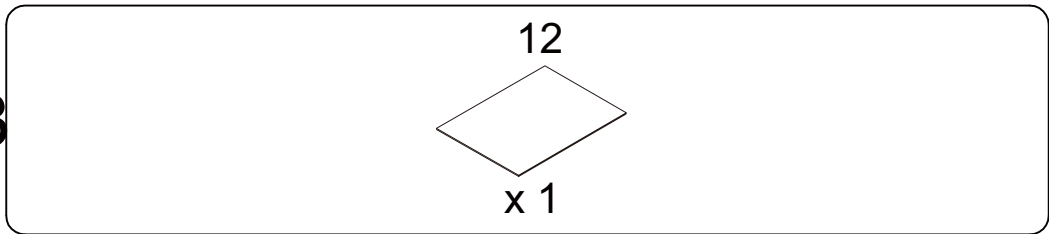
x 16



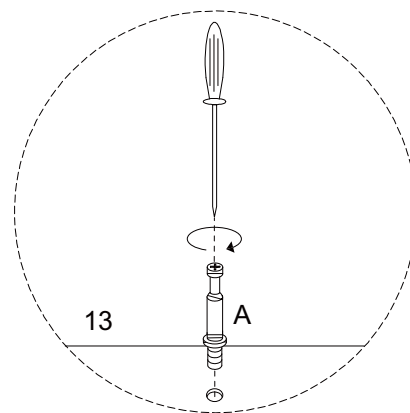
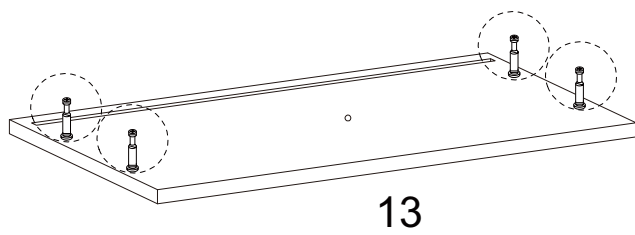
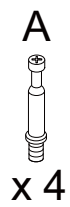
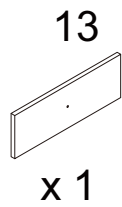
13 x 3



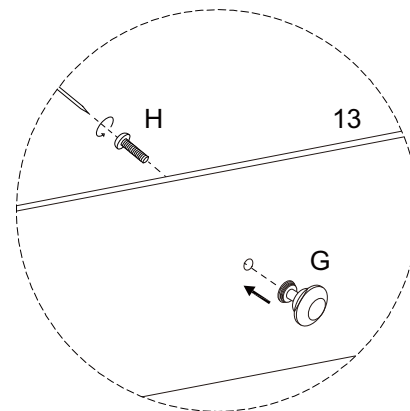
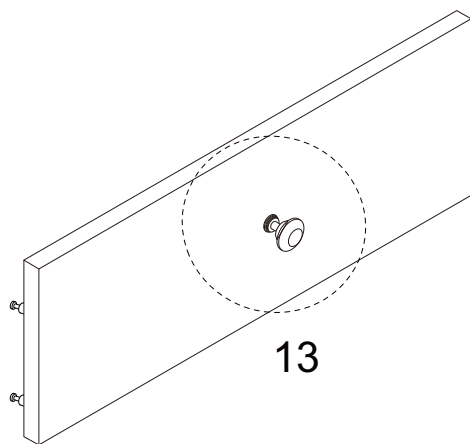
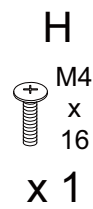
14 x 3



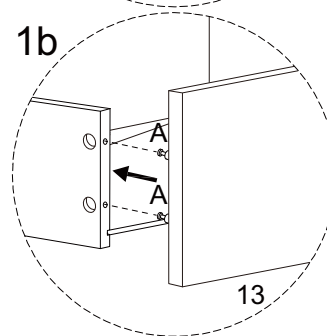
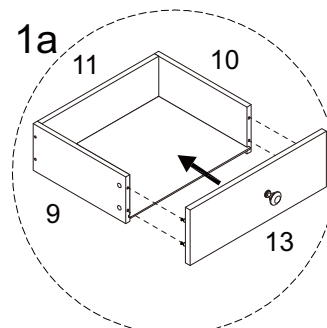
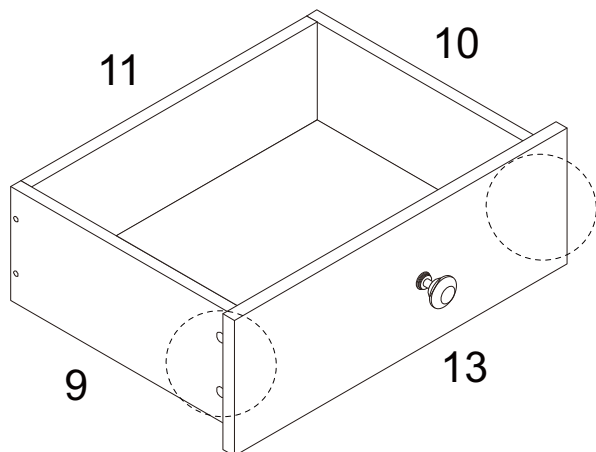
15 x 3



16 x 3



17 x 3

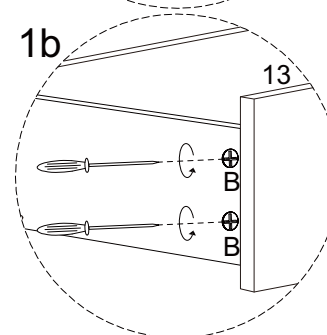
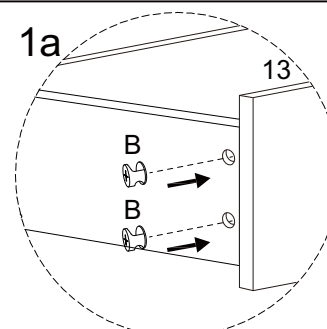
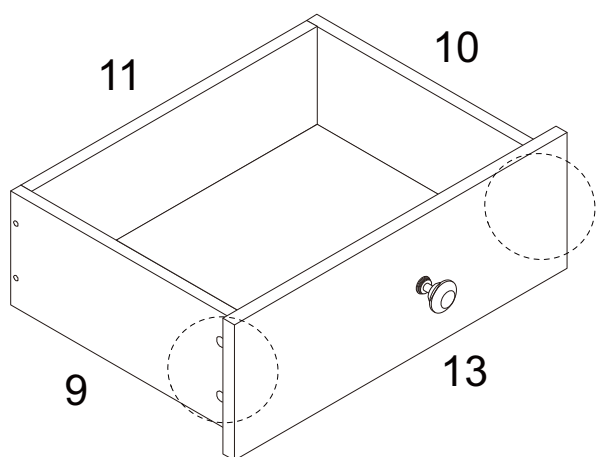


18 x 3

B

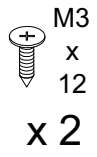


x 4

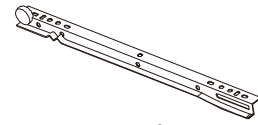


19 x 3

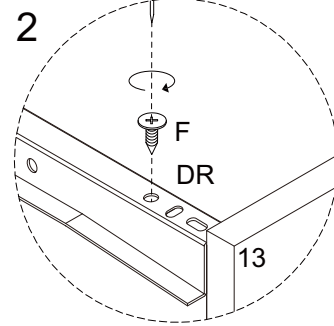
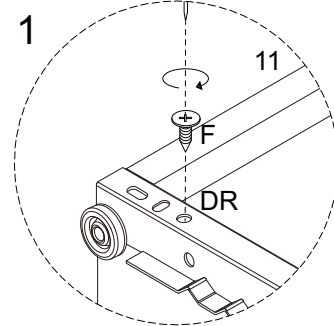
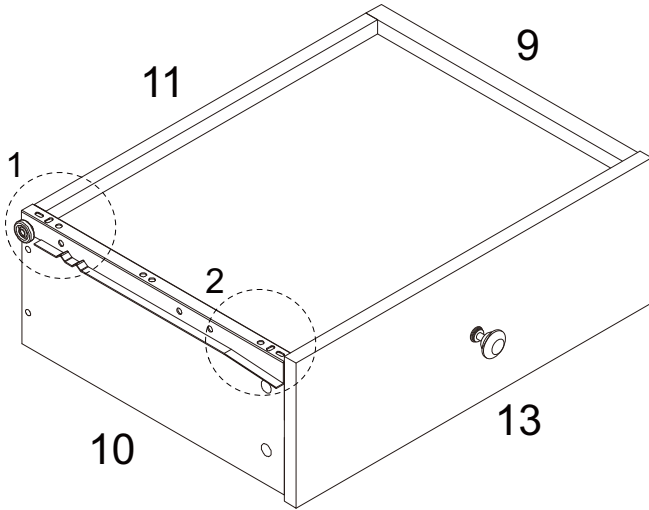
F



DR

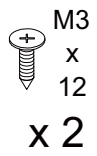


x 1

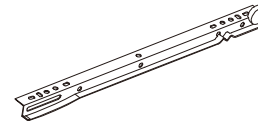


20 x 3

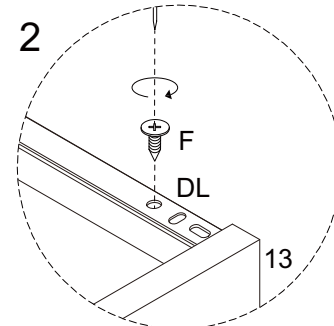
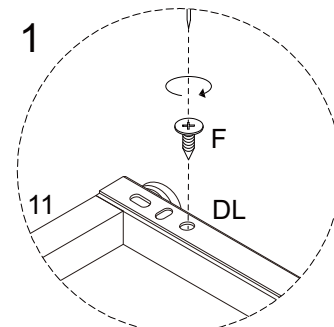
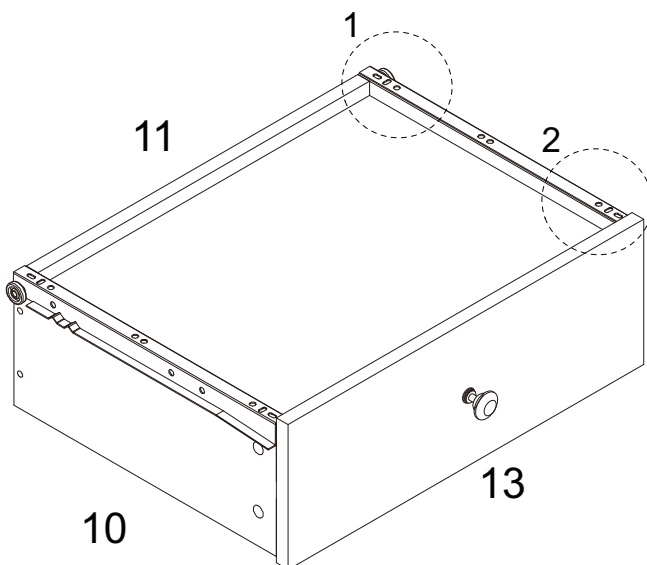
F



DL



x 1



21

