



Valued Customer,

We design and carefully manufacture our products for our customers, We wish that our customers to have fun while they are doing their new furniture

The product you just purchased was subjected to all sorts of tests and controls before sending out to you.

Hope you enjoy your new furniture!!!



Although all products are carefully manufactured and packed, sometimes we experience damage during transportation. In such cases, please check the damaged part, note the part number written on the part and do not hesitate to contact us

Before starting, please check all components and accessories according to the provided list. If you purchased more than one product, to prevent confusion, be sure that you completed the first product, then start the next one. Please make sure that you select correct numbered part and use specific connector to assemble. We do not recommend any modification or rotation in assembly. Please follow the manual carefully.

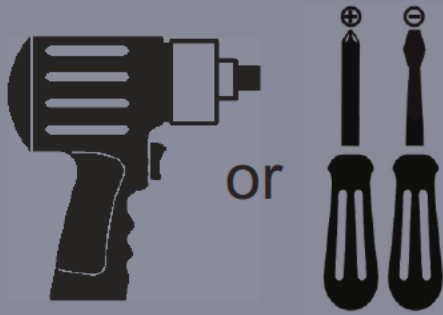
Furniture parts are going to several manufacturing procedures. During this process, parts can have little dust or marks. Please clean the parts with damp cloth before assembly to get the best result. Usual cleaning would be suffice.



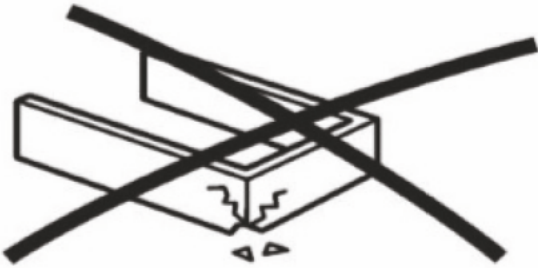
Do not use your furniture for out of purposes. If you would like to use it out of purpose or would like to do some modification or rotation, please contact us for more details.

Please do not expose your furniture with excessive heat, cold and humidity because product can be affected negatively.

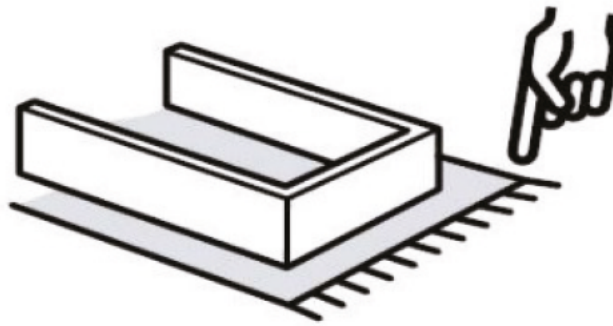
# before you start



Get required installation tools prepared.

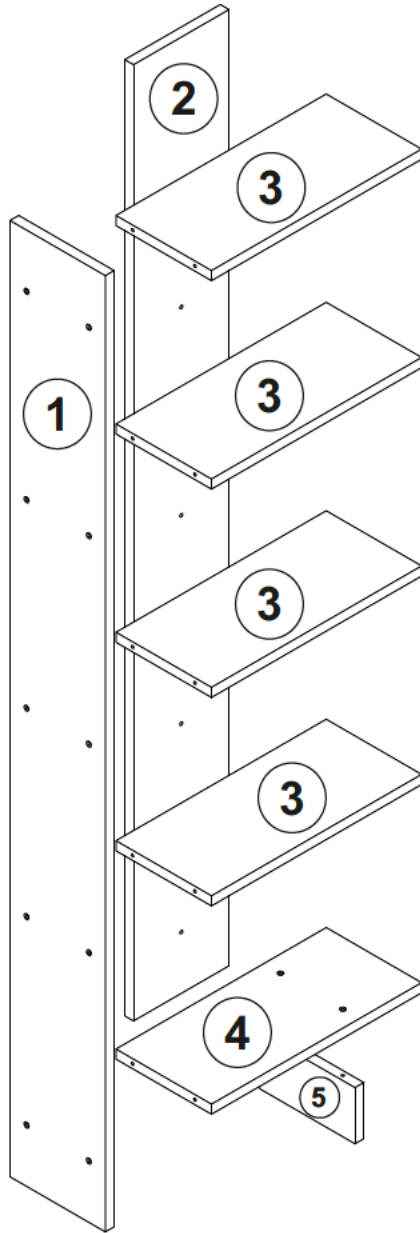


Do not install the product on rough surfaces.

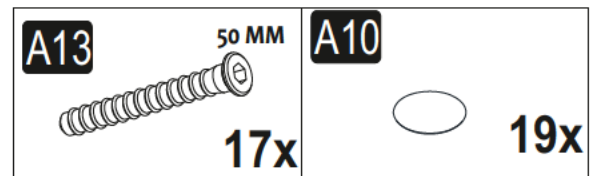
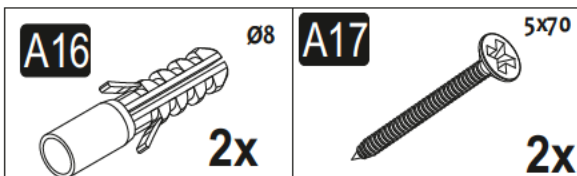


Get help from someone else!






Part1	1x
Part2	1x
Part3	4x
Part4	1x
Part5	1x
<b>TOTAL</b>	<b>8x</b>





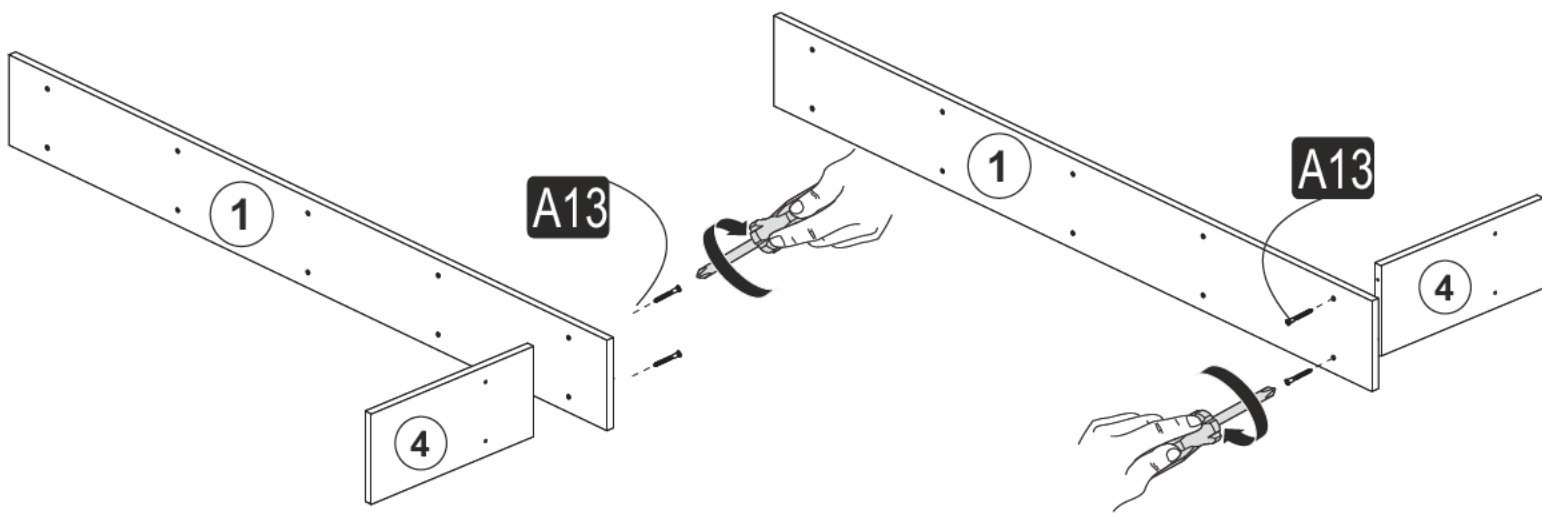
 You can install the item as mirrored

**a. installing components**

First, you will need to start attaching part #1 and part #4 with component A13. Please turn component A13 with screwdriver.

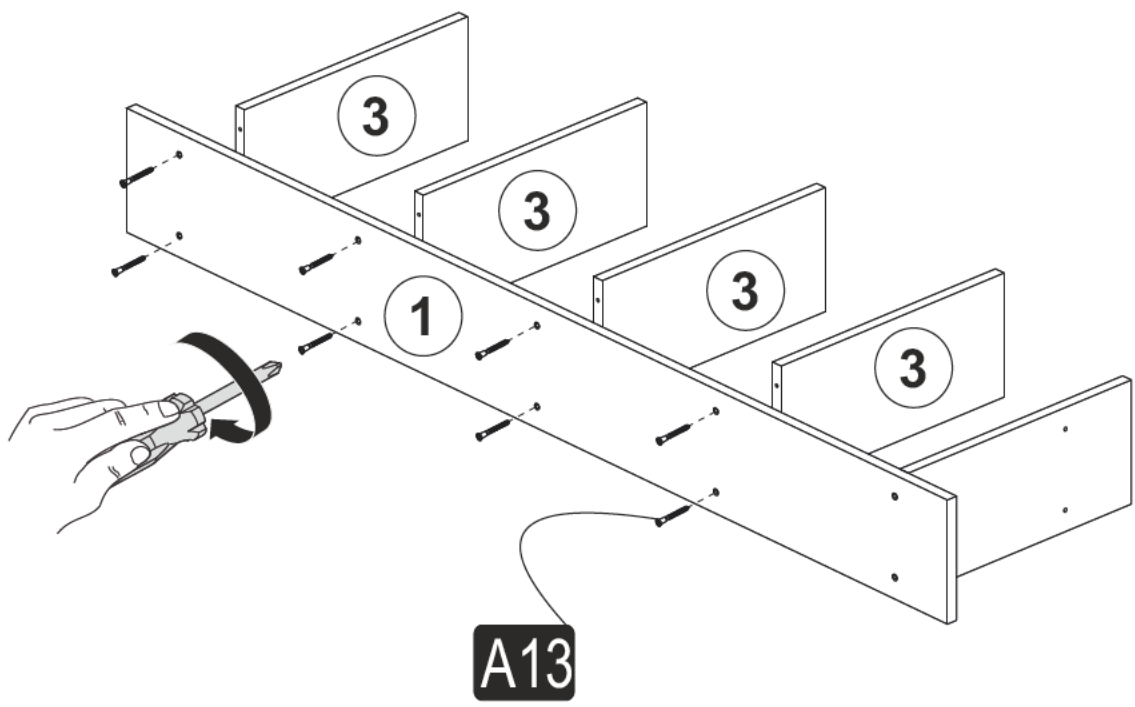
**Mirrored**

**Normal**



**b. installing components**

Secondly, you need to attach the part #3s just like the same way done in the first step. Please make sure that side holes of part #3s are in the same side.

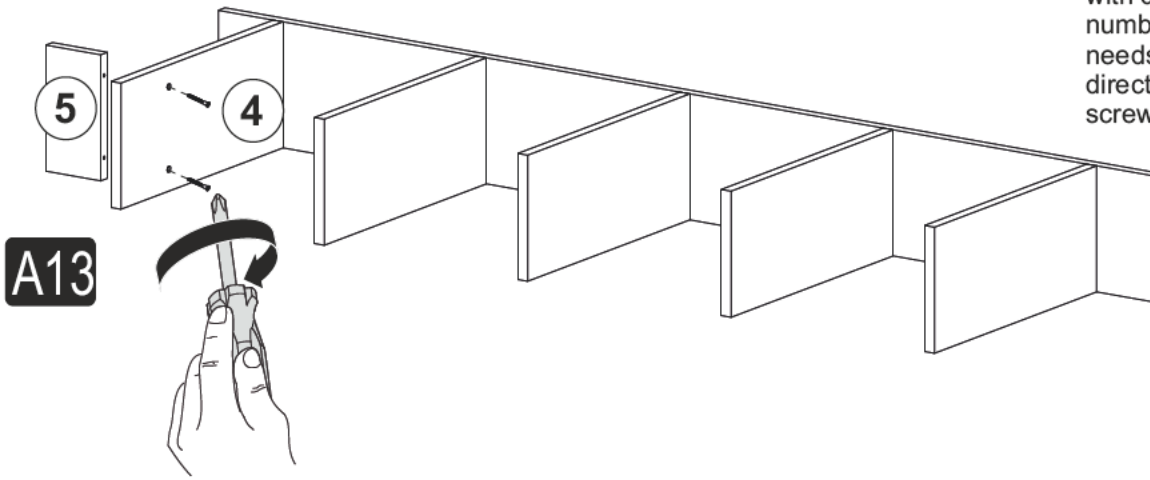




### c. installing components

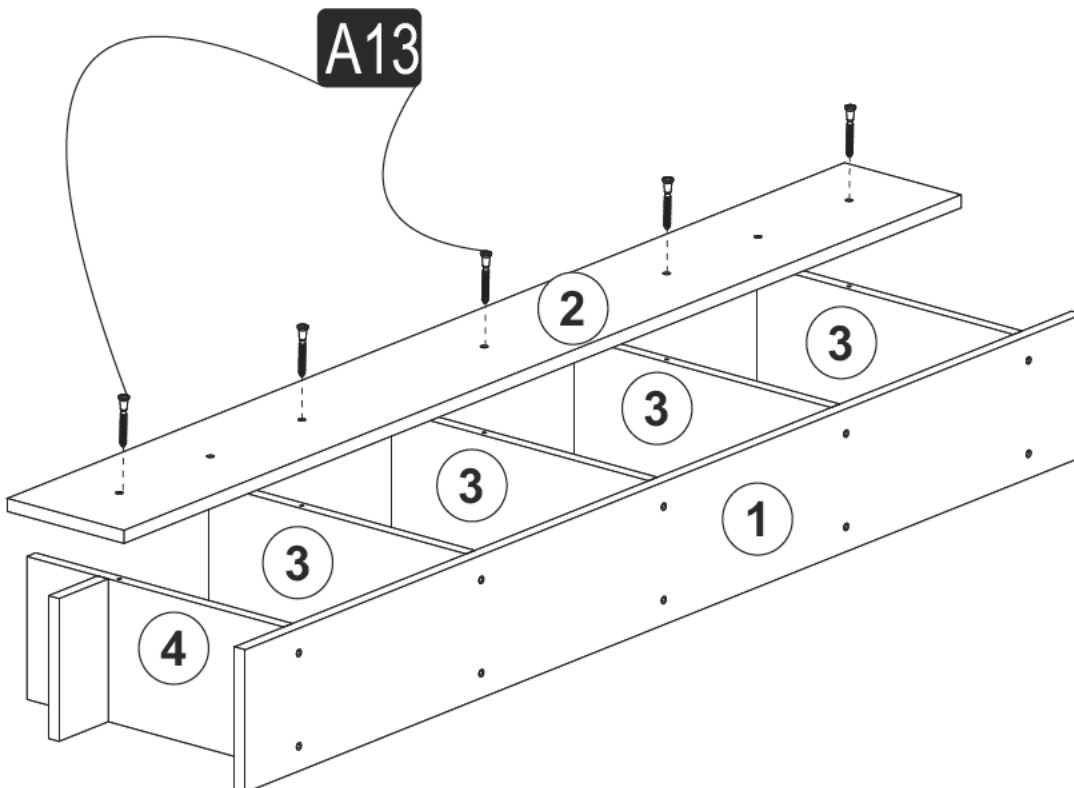
Please attach the part #4 and part #5 with given component numbered #A13.

Please be careful with direction of the side holes of number #3s and #4. Side holes needs to face to the same direction to fit the holes and screws in the next step



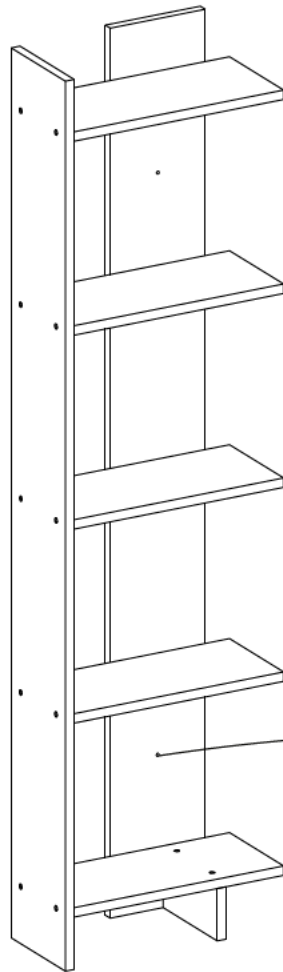
### d. installing components

In this step, part #2 need to be attached to part #3s and #4 as shown below. Please be careful with direction of the side holes. All number #3s and 4s needs to face to the same direction to fit the holes and screws.

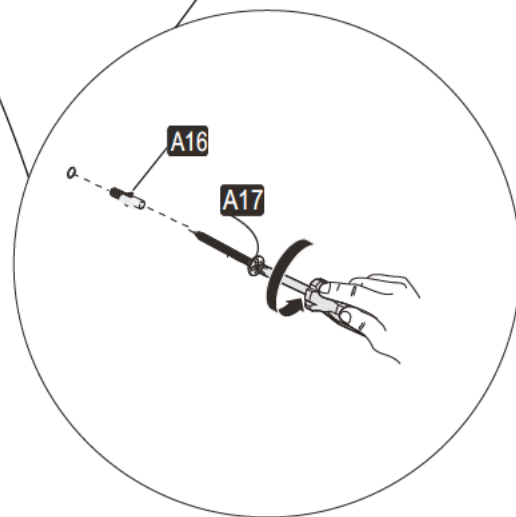


**f. completing the assembly**

Depending on the preference, you may also mount the bookcase to the wall. First, you need to take the measurement by choosing the right space in your room and then drill the wall and attach as shown below. Bookcase can also be used as free standing.

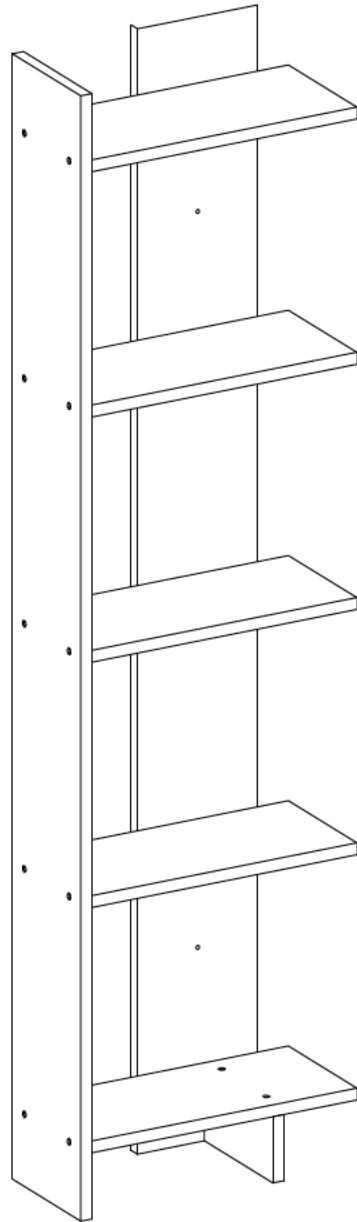


If you don't want to attach the item to the wall, you can simply cover the holes with stickers



final look

---



**Enjoy your Decorotika product!**

---