

Assembly Instructions

Product Reference Size:

Dia250*H225 cm

Dia300*H245 cm



IMPORTANT, RETAIN FOR FUTURE REFERENCE
READ CAREFULLY

Before you start



Warnings

See enclosed instructions for assembly, safety and care information.

Failure to follow the warnings could result in serious injury.

Handle heavy parts with care.

Ensure that this product is fully assembled as illustrated before use.

This product should only be used on firm, level ground.

The product contains small parts which could pose a risk to young children. Keep small parts out of reach of children.

Keep hands away from folding mechanism and moving parts to prevent possible injury.

NEVER USE OR OPEN THIS PARASOL WITHOUT A SUITABLE BASE SET IN PLACE.



Dos

When you are ready to start, make sure that you have the right tools, plenty of space and a clean, dry area for assembly.

Unwrap all packaging materials and place the components on suitable surface to prevent scratching your product.

Check the pack and make sure you have all of the parts listed.

Check all screws and bolts are tightened and inspect regularly.

We recommend the use of furniture covers to protect your product when not in use.

During bad weather or in winter months, the product should be taken down and stored in a cool, dry place. Before storage, ensure that the product is clean and dry.

To clean, wipe with a damp sponge and a little warm soapy water, then dry with a clean, dry cloth. Do not use solvent-based cleaners or detergents as they can bleach or damage the product.

Clean the fabric using a little warm soapy water. The product must be thoroughly dried afterwards to prevent mildew and mould stains from forming. Most stains can be removed with a mild detergent. The parasol is not 100% waterproof.



Don'ts

Do not stand or climb onto the product.

Do not use power tools to construct this product.

Do not sit or lean onto the rims of this product.

Do not use this product if parts are missing, damaged or worn.

Do not leave the parasol open when there is a risk of high winds, as damage will occur to its structure.

Never use scourers, abrasives or chemical cleaner.

Never use a pressure hose or washer to clean the product.

Never drag furniture when moving it, always lift it.

Never move this parasol when fully assembled.

To avoid damage do not allow water to collect or "pool" on the fabric.

Number of people required for assembly

One person

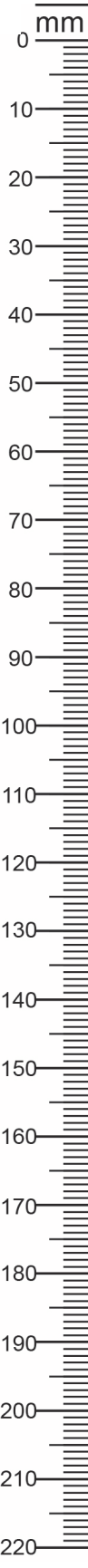


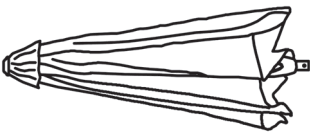

Time to assemble

5 Minutes

Tools required

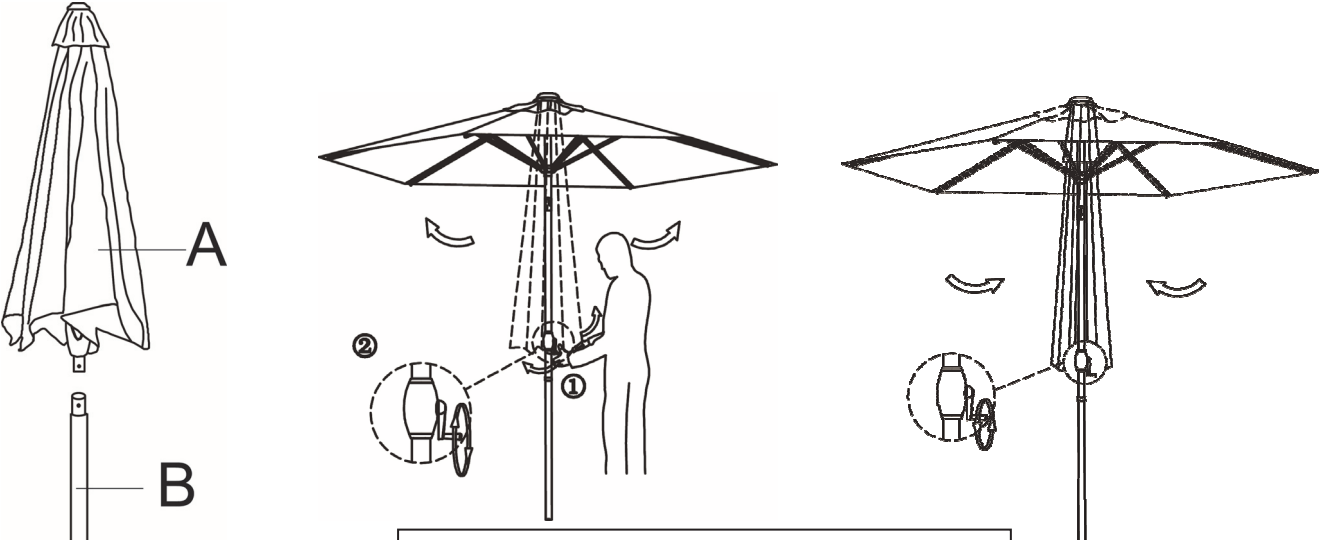
None



Parts List					
Part No.	Diagram	Qty.	Part No.	Diagram	Qty.
A	 Main Parasol Part	1 PC	B	 Bottom Pole	1 PC

Assembly and Usage Steps

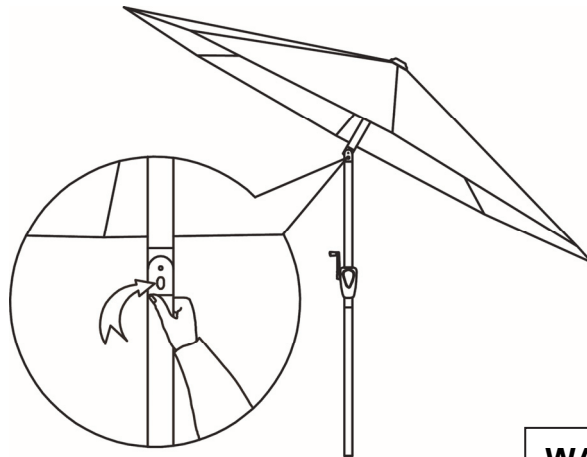
1. Press the Spring Pin and insert the Bottom Pole (B) into the Main Parasol Part (A);
2. Place the parasol at the intended place for use; Ensure a suitable base (not provided) is used.
3. Rotate the Crank clockwise to spread the parasol canopy;
4. The parasol is closed by reversing above steps.



WARNING
Please take care to keep fingers away from moving parts and crank rotating area to prevent possible injury.

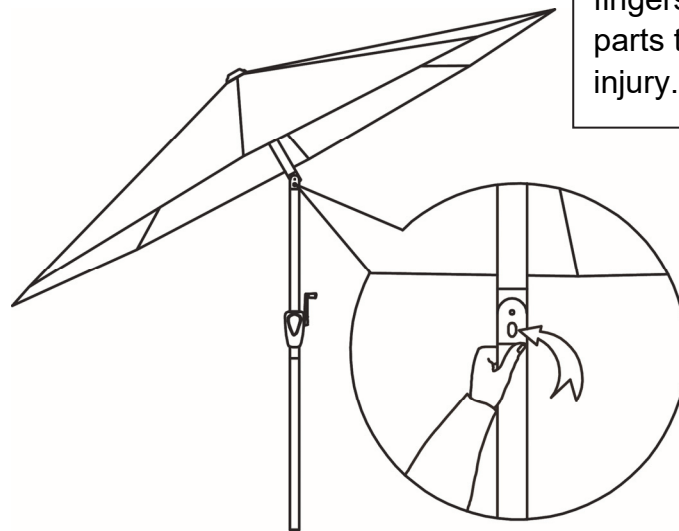
To tilt the canopy

Press and hold the button on the plated tilt mechanism and allow the canopy to tilt into place release the button and the parasol will lock into the tilted position. To raise to the upright position- press and hold the button and gently lift the canopy into the level position. Release the button and the parasol will lock into the upright position.



WARNING

Please take care to keep fingers away from moving parts to prevent possible injury.



A suitable parasol based should be used together with this parasol!

PLEASE KEEP THESE INSTRUCTIONS FOR FUTURE REFERENCE