

INSTALLATION & USER MANUAL

CEILING FAN WITH LIGHT

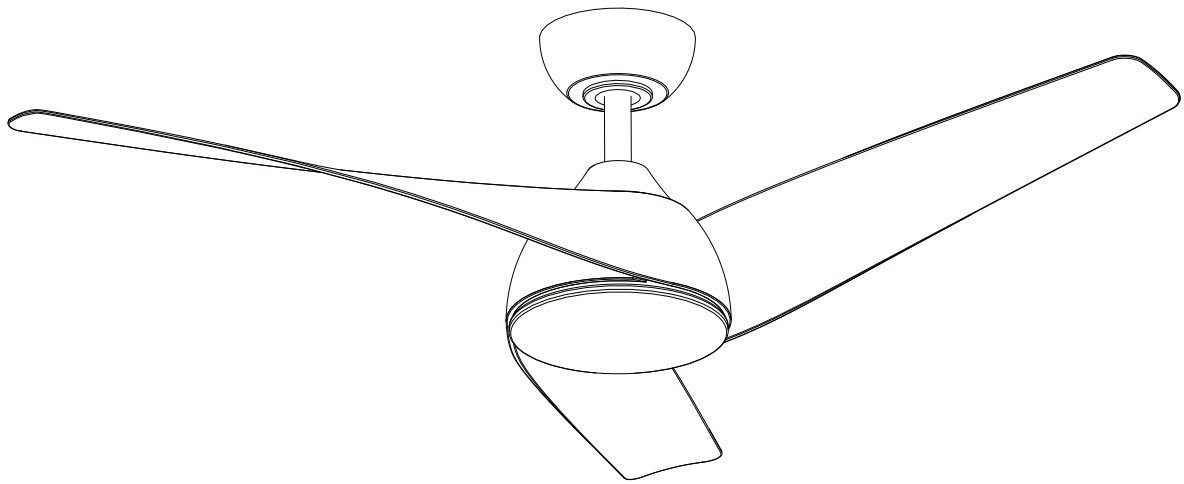


Table of Contents

Table of Contents.....	2	Exploded View.....	4
Safety Information.....	2	Installation Instructions.....	5
Dimension Reference.....	3	Troubleshooting Guide.....	14
Hardware Included.....	3	Balancing Kit	15
Fan Parts Included.....	3		

Safety Information

READ AND SAVE THESE INSTRUCTIONS.

1. To reduce the risk of electric shock, ensure electricity has been turned off at the circuit breaker or fuse box before you begin.
2. All wiring must be in accordance with the National Electrical Code “ANSI/NFPA 70” and local electrical codes. Electrical installation should be performed by a qualified licensed electrician.
3. The outlet box and support structure must be securely mounted and capable of reliably supporting a minimum of 35 lbs (15.9 kg). Use only UL Listed outlet boxes marked “Acceptable for Fan Support of 35 lbs.(15.9 kg) or less.”
4. Do not place objects in the path of the blades.
5. To clean the fixture, turn off the power, wait for it to cool, and wipe the fixture with a clean, soft cloth.
6. After making electrical connections, spliced conductors should be turned upward and pushed carefully up into the outlet box. The wires should be spread apart with the grounded conductor and the equipment-grounding conductor on one side of the outlet box and ungrounded conductor on the other side of the outlet box.
7. All setscrews must be checked and retightened where necessary before installation.



WARNING:To reduce the risk of electrical shock or fire, not use this fan with any solid-state fan speed control device. It will permanently damage the electronic circuitry.



WARNING:To reduce the risk of personal injury, do not bend the blade brackets when installing the rackets balancing the blades, or cleaning the fan. Do not insert



WARNING:To reduce the risk of fire, electric shock or personal injury, mount to outlet box marked “acceptable for fan support of 35 lbs. (15.9 Kg) or less” and use screws provided with the outlet box.



WARNING:To avoid possible electrical shock, turn the electricity off at the main fuse box before wiring.



WARNING:To reduce the risk of electrical shock, this must be installed with an isolating wall control / switch.



CAUTION:To reduce the risk of personal injury, use only the screws provided with the outlet box.



CAUTION:Please use carefully when working around or cleaning the fan to avoid injury or damage of fan.

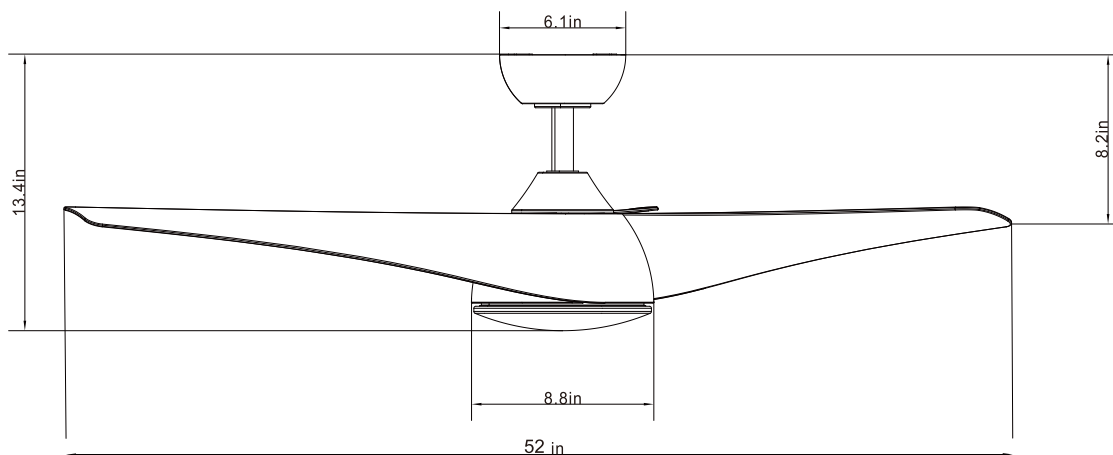


CAUTION:The fan must be mounted with a minimum of 7 ft (2.1 m) clearance from the trailing edge of the blades to the floor.






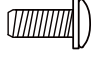

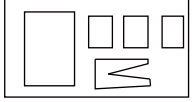



CAUTION:Changes or modifications not expressly approved by the party responsible for compliance could void the user’s authority to operate the equipment.




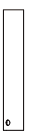


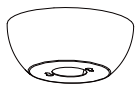

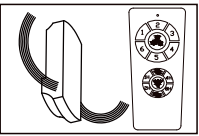
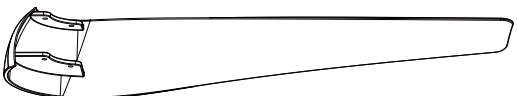
Dimension Reference



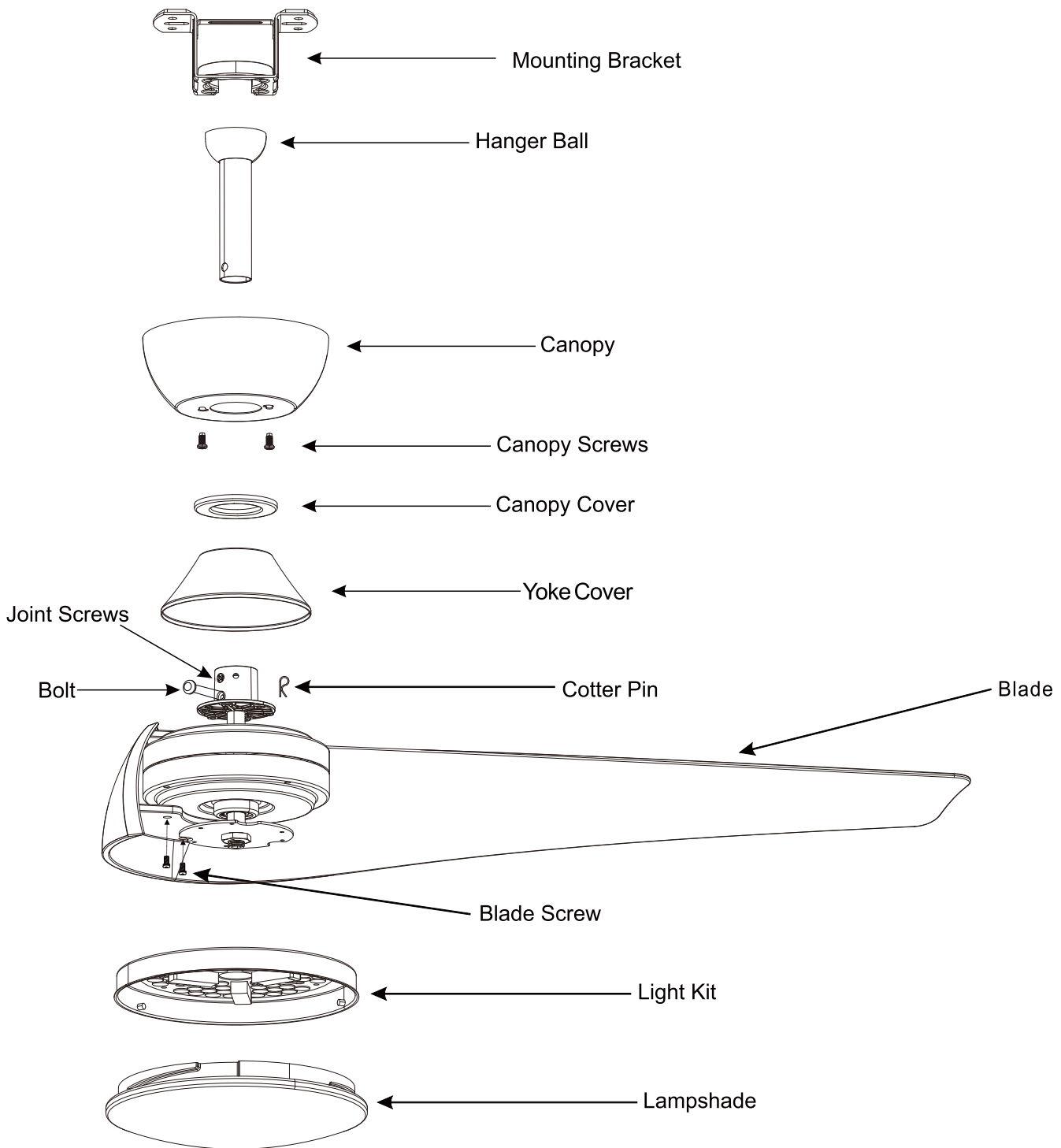
Hardware Included

	S1		S6	Hardware Package S1. Expansion screw S2. Machine Screw S3. Machine Screw S4. Wood Screw S5. Wire Nut S6. Lock Washer S7. Washer S8. Blade Screw S9. Balance Kit	Quantity 2 2 2 2 3 4 4 13 1
	S2		S7		
	S3		S8		
	S4		S9		
	S5				

Fan Parts Included

	← 1		← 4		← 7	Quantity 1 2 1 1 1 1 1 1 1 3
	← 2		← 5		← 8	
	← 3		← 6		← 9	
	← 10					

Exploded View

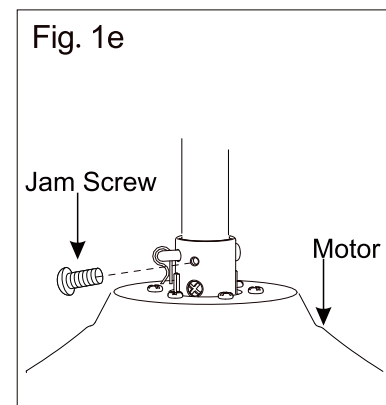
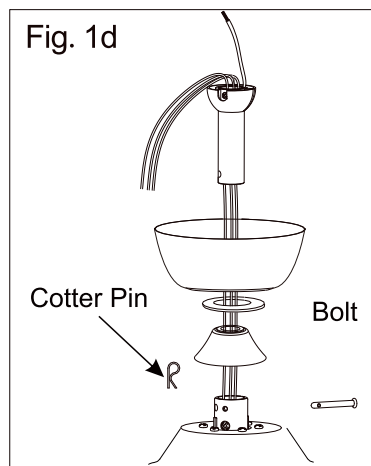
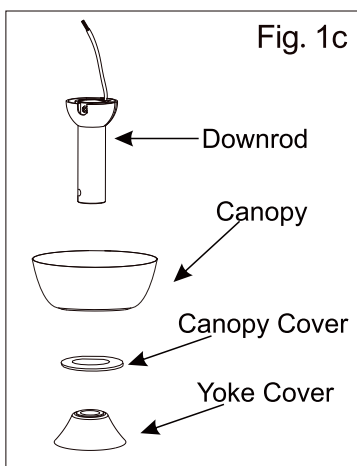
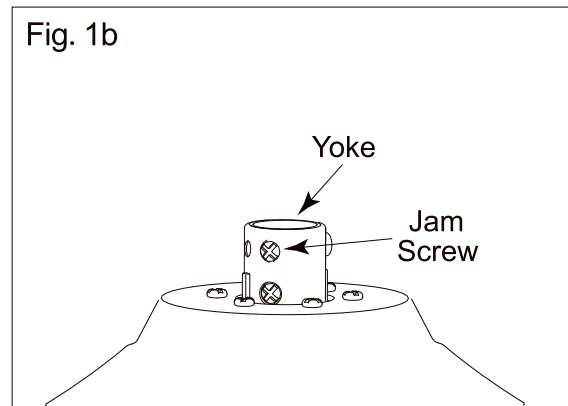
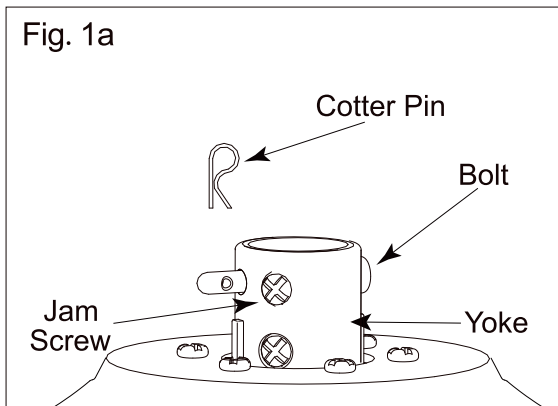


Installation Instructions

Step1 MOUNTING

- Take out fan motor housing.
- Remove cotter pin and bolt from yoke. (Fig.1a)
- Loosen jam screw in yoke until it is flush with the inside surface. (Fig.1b)
- Obtain downrod, canopy and yoke cover.
- Place downrod inside canopy and yoke cover.(Fig.1c)
- Route wires exiting motor through yoke cover, canopy and downrod.
- Insert bolt through hole in and downrod. Be careful not to damage or cut the fan wires. (Fig.1d)
- Tighten bolt. Secure with cotter pin through hole in the end of the bolt.
- Secure downrod in position by tightening jam screws.Slide yoke cover down and it will flush with the motor housing.(Fig.1e)

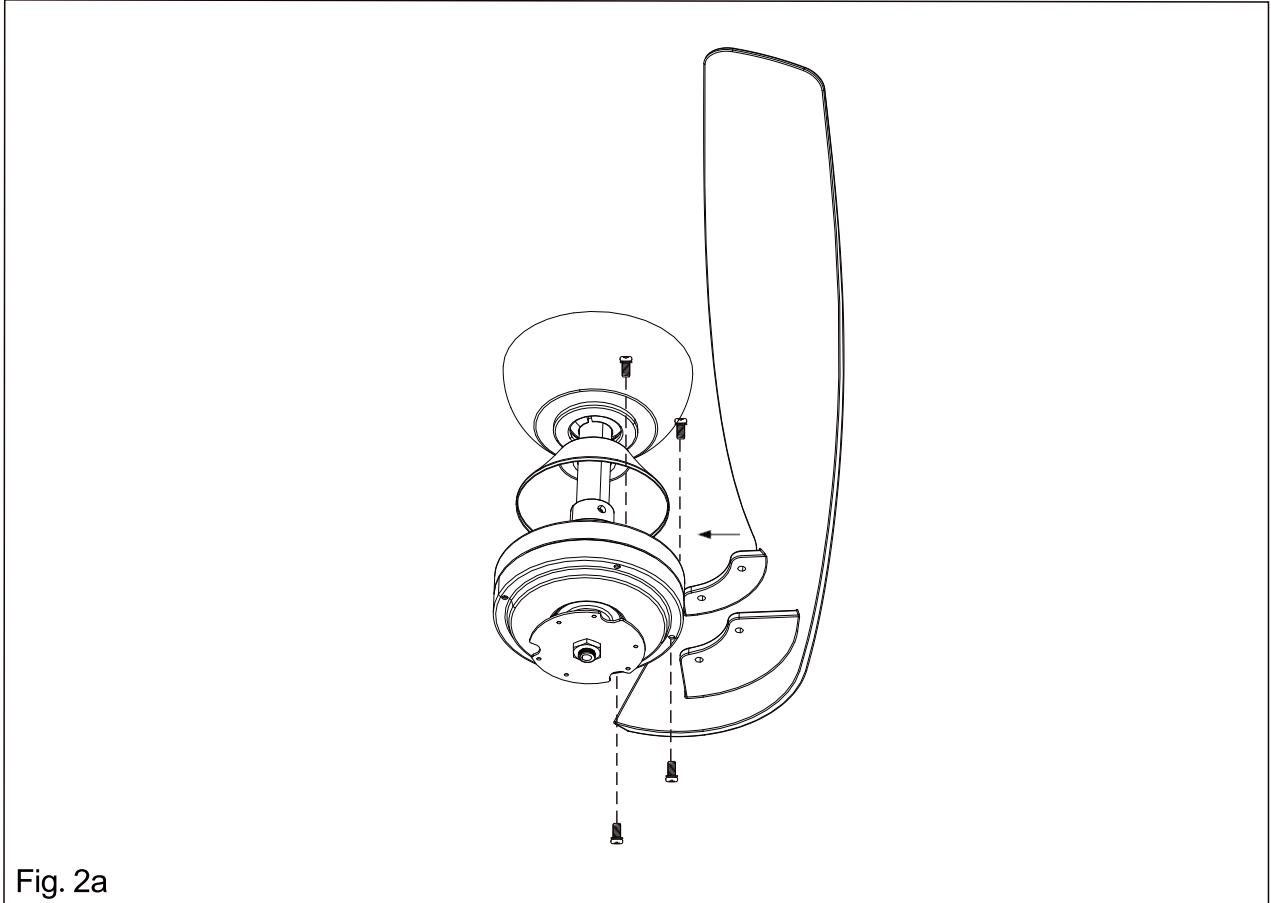
CAUTION: To ensure wobble-free operation and to avoid damage to the fan, the downrod and the set crew must be completely tightened.



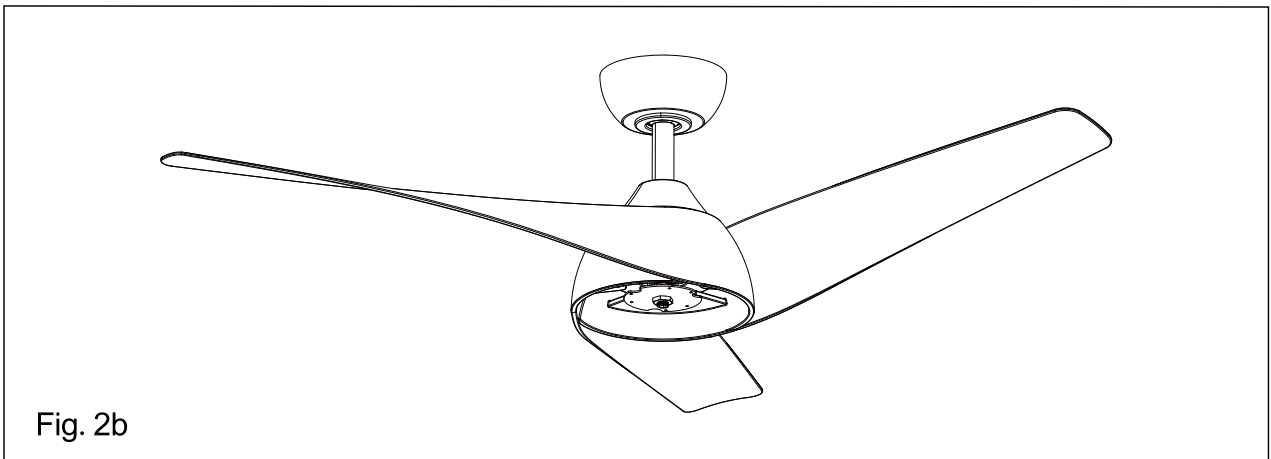
Installation Instructions

Step2 MOUNTING BLADES TO MOTOR

- Install the blades on the motor as shown in the figure.



- Lock the three blades in turn and place them on the cardboard box.

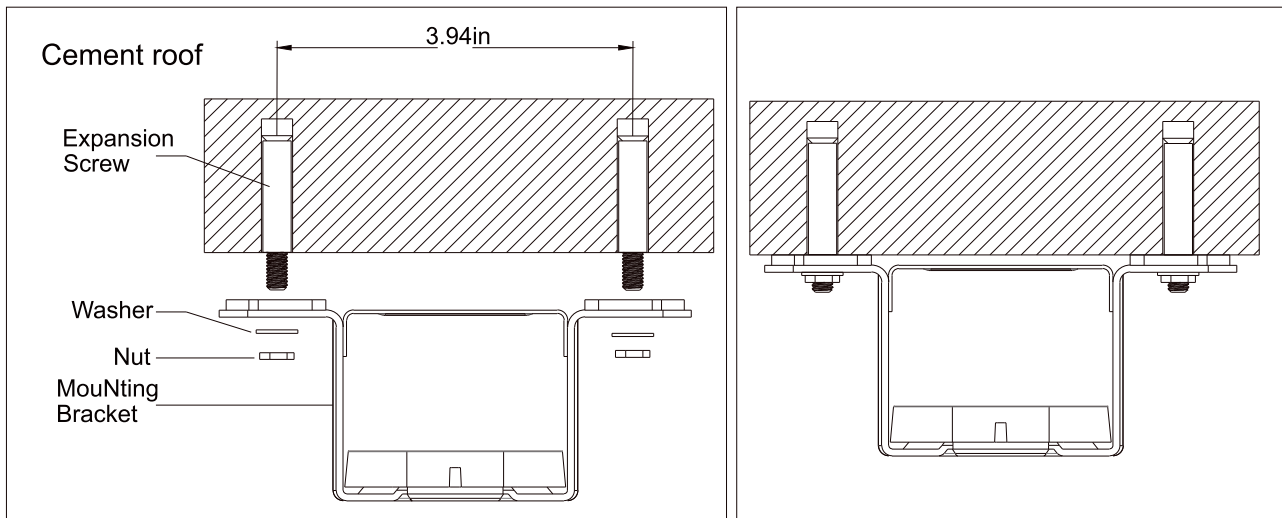


Installation Instructions

Step3 INSTALL MOUNTING BRACKET

If it is installed on the cement top and dont have outlet box,please use two expansion screw.

- Use an impact drill to drill two $\Phi 8\text{mm}$ holes,Note that the distance between the two holes is about 100mm.
- Completely insert the pipe part of the screw into the hole and remove the washer and nut.
- Place the hanger into the screw head, place the washer, and then use a wrench to tighten the nut.



CAUTION: To Reduce The Risk of Fire,Electric Shock,Or Personal Injuy,Mount to UL/CSA Listed Outlet Box Marked Acceptable for Fan Support And Use Mounting Screws Provided With The Outlet Box

- Install J-Hook through centre of outlet box and into the wooden joist.
- Secure mounting bracket and rubber gaskets to metal outlet box.
- Hang the safety cable onto the J-hook.

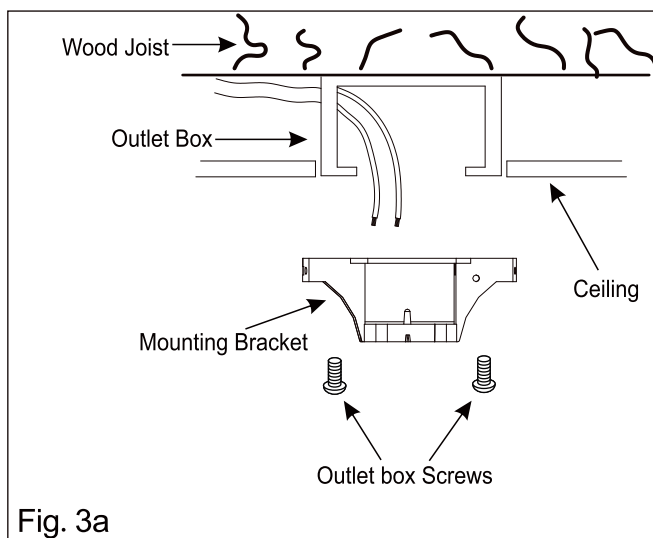


Fig. 3a

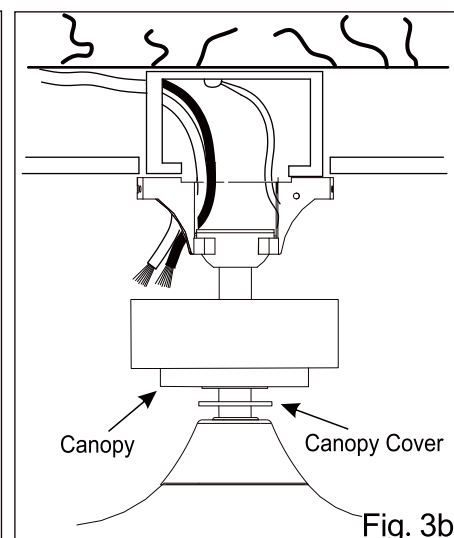


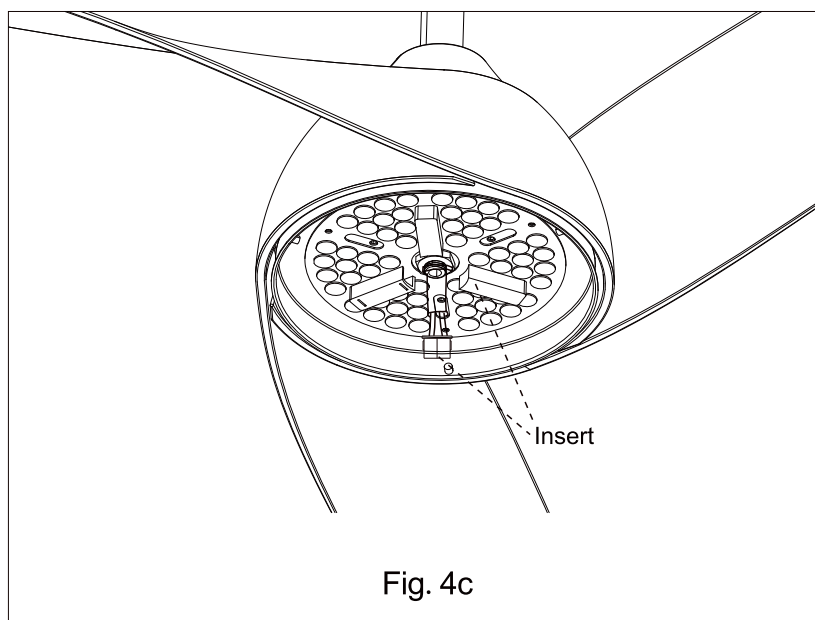
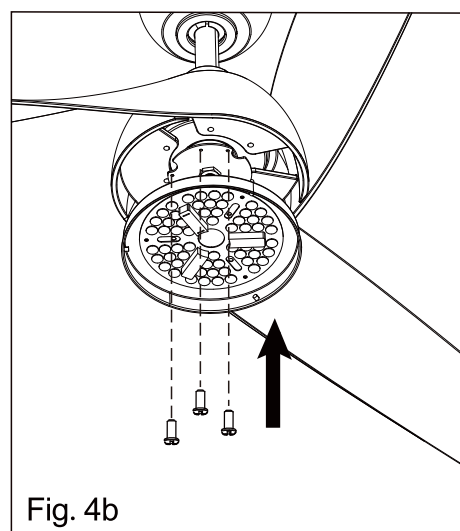
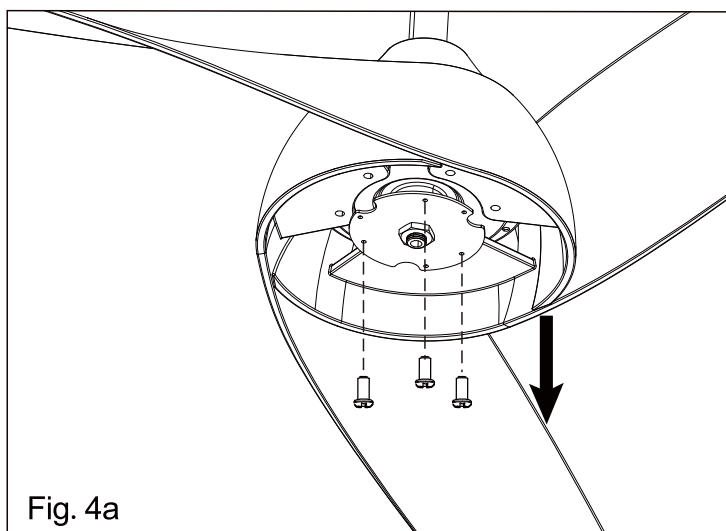
Fig. 3b

Installation Instructions

Step4 LIGHT KIT

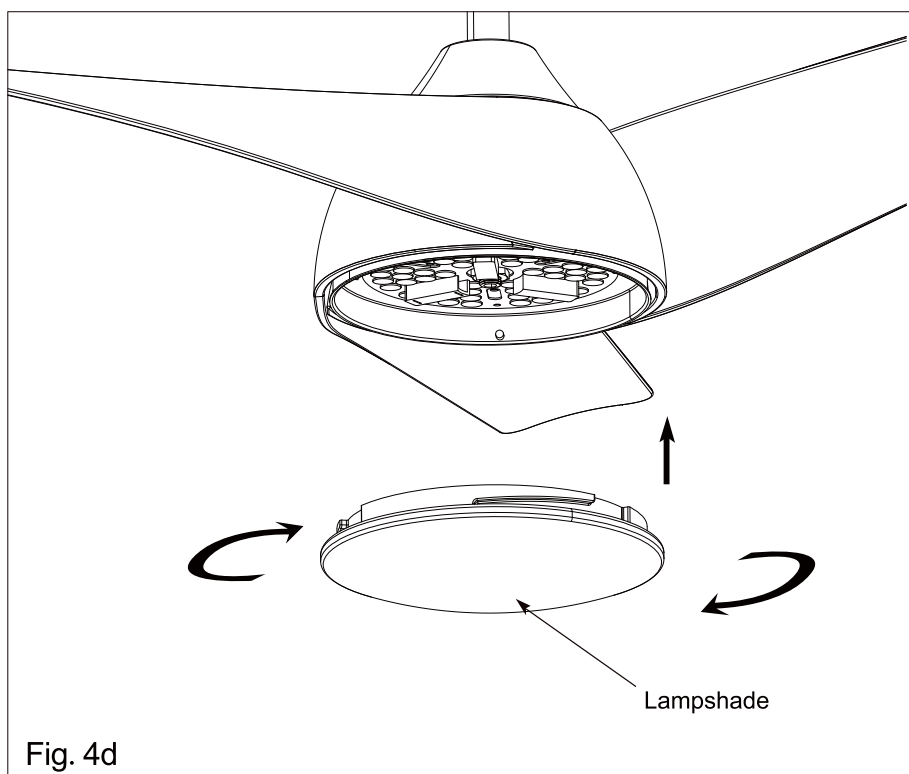
WARNING: BE SURE TO TURN OFF POWER BEFORE INSTALLING

- Remove light kit screws.(Fig.4a)
- Align the light kit hole with hte connecting piece and lock the screw.(Fig.4b)
- Insert the terminal of the light wire into the light source port.(Fig.4c)
- Place Lampshade onto the fan and turn to secure.(Fig.4d)



WARNING: Check all connections, set screws and screws are securely tightened before the next step.

Installation Instructions

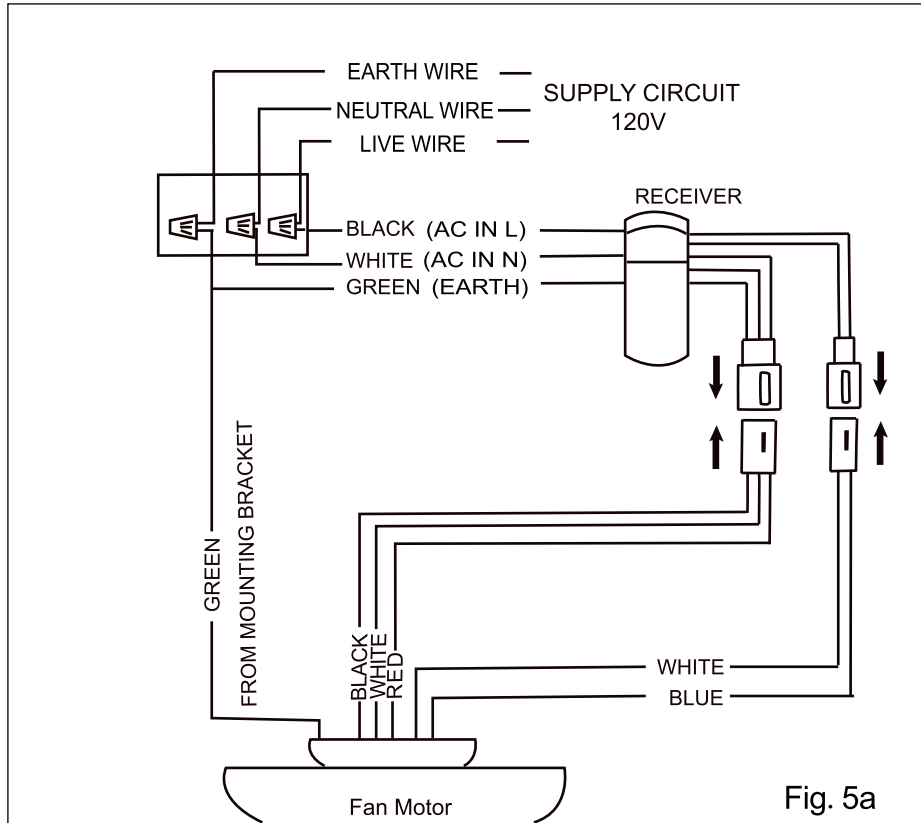


Step5 ELECTRICAL HOOK-UP

A. Use wire connectors to connect household supply and receiver wires according to the diagram and the following steps:

- Insert the terminals on the controller's connecting wire properly
- Connect the green wire from the downrod and mounting bracket to the Bare/Green (earth) supply wire.
- Insert the terminals of the light kit into the terminals of the receiver.
- Insert the terminals of the Motor into the terminals of the receiver.
- Connect the Black wire with the Black label to the Black (live) supply wire.
- Connect the White wire with the White label to the White (neutral) supply wire.

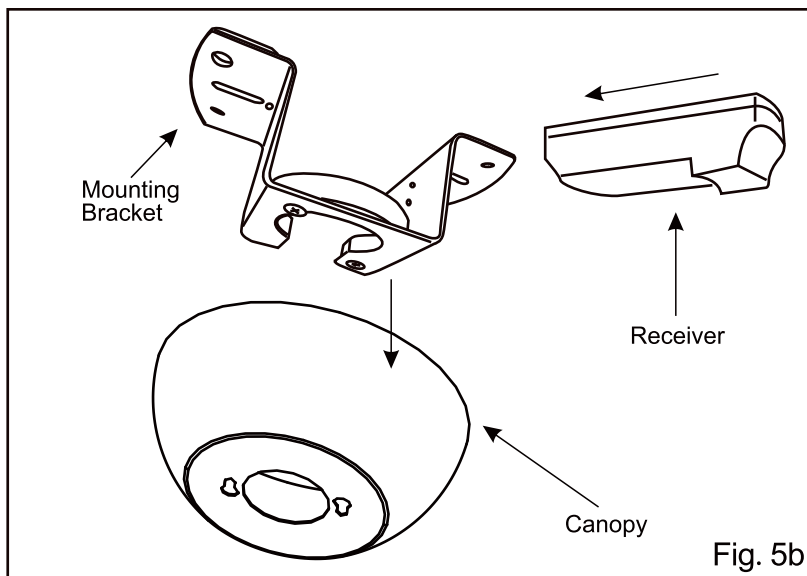
Installation Instructions



NOTE: Once earth wires are connected, carefully tuck all wires and marrettes into the meta box making sure that the wires are clear of the hemisphere and downrod when positioned in hemisphere and downrod when positioned in mounting bracket.

B. Push all connected wires up into ceiling box.

- Put the receiver into the mounting bracket as shown in figure 3b.
- When installing the canopy, ensure the antenna is not pressed by the canopy.
- Ensure to connect all earth wires accordingly.



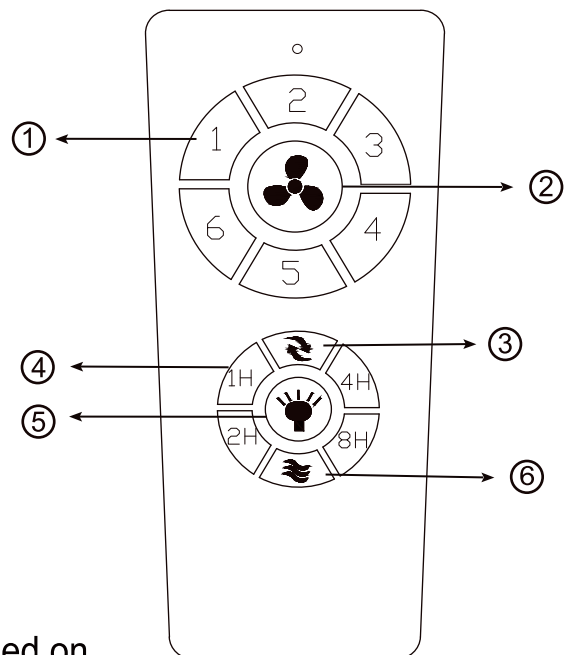
Installation Instructions

C. FUNCTION INSTRUCTION OF EMITTER

- Learning code and matching mode is used between emitter and receiver.
- Open battery cover on the hand-held remote and install battery, pair of AAA of emitter(1.5V) that are not included.
- If the emitter can not control the fan, learning code matching mode is used between emitter and receiver.
- Turn "ON" the supply power within 10 seconds and press the emitter's "💡" button for 5 seconds, it can load normally after hearing a long sound "bee", which means learning successfully and it can works normally.
- When the emitter cannot control the receiver, please check the battery switch touching normally or not, correction of the positive and negative, full or empty of the power.
- When the emitter cannot control the receiver, please check is there any existence of similar remote controlled products nearby, then check whether they works, because remote controlled product with the same frequency will disturb each other.
- Please take out the battery from the emitter when leaving unused for long time.

When installing the fan, the fan ceiling cover don't press the antenna(or other wire),it is easy to breakdown the wire and short-circuited.

- ① Speed Control
- ② FAN ON/OFF
- ③ FAN Forward/Reverse
- ④ Timer
- ⑤ Light ON/OFF(Matching Code)
Color Temperature Change
- ⑥ Natural wind



Light Memory Function

- 1.The default light color when the ceiling fan is turned on.
- 2.The light will lock in a specific color temperature after turning off the light for 1 minute.
- 3.The color temperature will be the same as the last time when turning on the light next time.

NOTICE: If you turn it on and off immediately, it will change the light color.

Installation Instructions

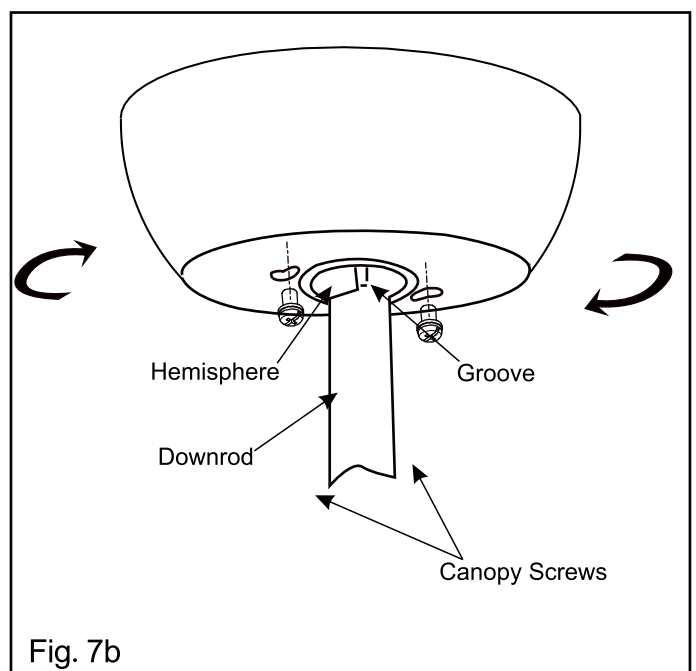
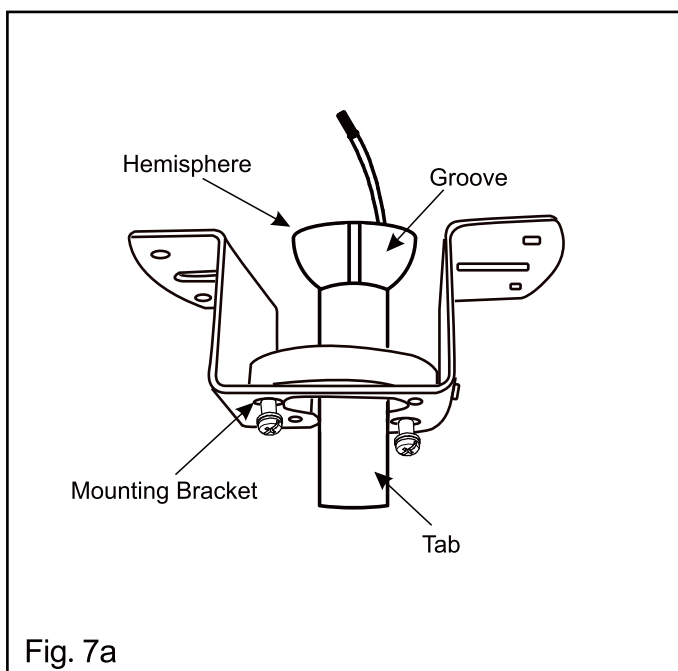
Step6 MOUNTING FAN ASSEMBLY

- Place two screws and washers on mounting plate which correspond with slots in canopy. Screw in two turns.

Step7 ENGAGE HEMISPHERE

- Carefully rotate fan assembly until groove in hemisphere locks over tab of canopy assembly.
- Loosen (do not remove) the two screws on mounting bracket. Slide the canopy up to mounting bracket and place the key hole on the canopy over the screw on the mounting bracket, turn canopy until it locks in place at the narrow section of the key holes.
- Align the holes on the canopy with mounting bracket and secure with the two set of screws until snug.

WARNING: Failure to seat tab in groove could cause damage to electrical wires and possible shock or fire hazard.

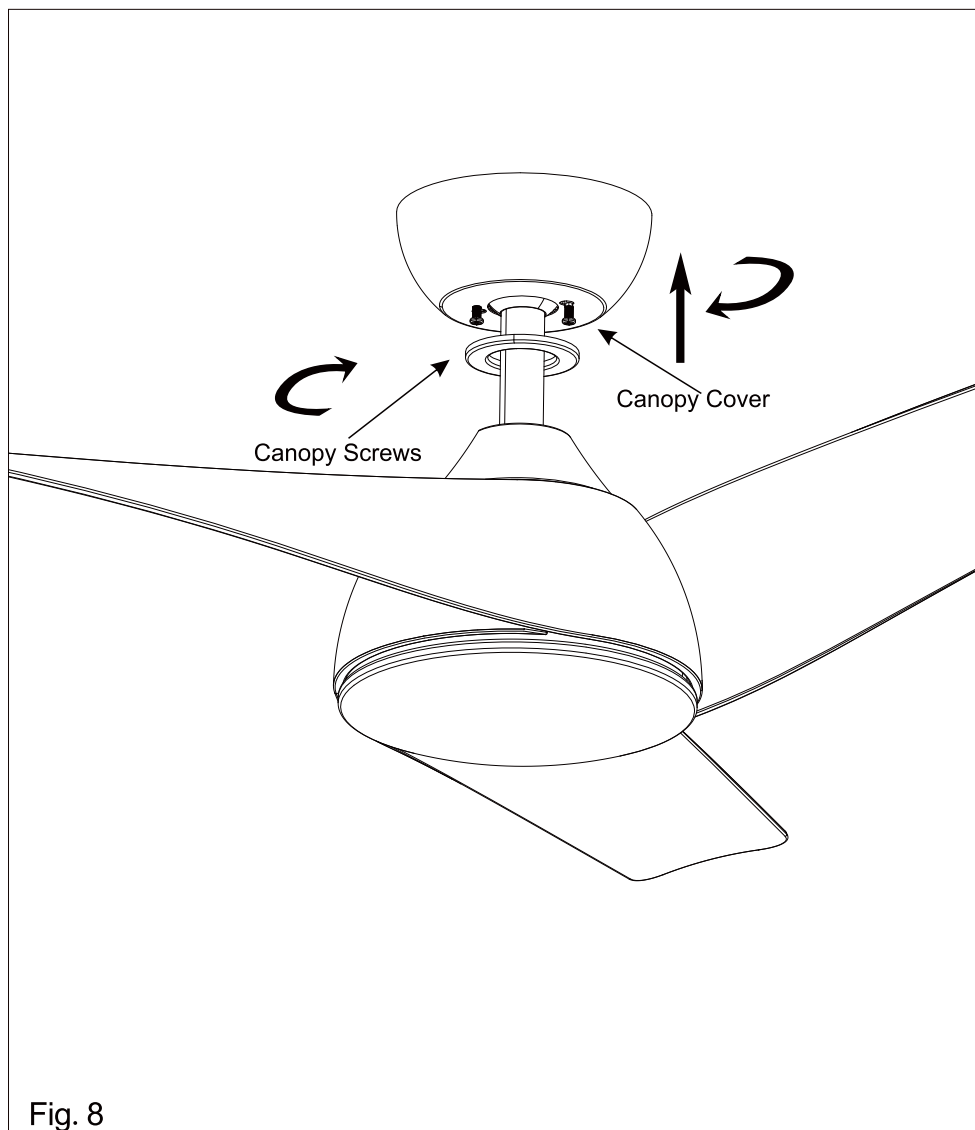


NOTE: When installing fan on sloped ceiling, make sure tab on hanger bracket faces towards the top of the slope. Depending on the slope, a longer downrod may be required to prevent fan blades from hitting the ceiling.

Installation Instructions

Step8 Install Canopy Cover

- Push the canopy cover up and align the holes with the two screws.
- Rotate clockwise until it engages.



NOTE: You have completed all the installation steps. Check if any steps have been missed and if any excess parts have not been installed.

Troubleshooting Guide

If you have difficulty in operating your new ceiling fan it may be the result of incorrect assembly, installation, or wiring. In some cases these installation errors may be mistaken for defects. If you experience any faults please check this troubleshooting guide.

	Problem	Suggested Remedy
1	If fan does not work.	<ul style="list-style-type: none"> <input type="checkbox"/> Check the main and branch circuit fuses or breakers. <input type="checkbox"/> Check the line wire connections to the fan and switch wire connections in the switch housing. <input type="checkbox"/> Check the battery in the remote control. <input type="checkbox"/> Ensure you are in the normal range of 10-20 feet.
2	If fan sounds noisy.	<ul style="list-style-type: none"> <input type="checkbox"/> Ensure all motor housing screws are snug. <input type="checkbox"/> Ensure the screws that attach the fan blade bracket to the motor hub are tight. <input type="checkbox"/> Ensure the wire nut connections are not rattling against each other or the interior wall of the switch housing. <input type="checkbox"/> Allow a 24-hour "breaking in" period. Most noises associated with a new fan disappear during this time. <input type="checkbox"/> If you are using the Ceiling Fan light kit, ensure the screws securing the glassware are tight. Check that the light bulbs are also secure. <input type="checkbox"/> Ensure the canopy is a short distance from the ceiling. It should not touch the ceiling. <input type="checkbox"/> Ensure your outlet box is secure and rubber isolator pads were used between the mounting plate and outlet box.
3	If fan wobbles.	<ul style="list-style-type: none"> <input type="checkbox"/> Check that all blades are screwed firmly into blade holders. <input type="checkbox"/> Check that all blade holders are tightened securely to motor. <input type="checkbox"/> Make sure that canopy and mounting bracket are tightened securely to ceiling junction box and junction box is mounted firmly to ceiling joist. <input type="checkbox"/> Most fan wobble problems are caused when blade levels are unequal. Check this level by selecting a point on the ceiling above the tip of one of the blades keeping measure within 1/8 in. Rotate the fan until the next blade is positioned for measurement. Repeat for each blade. If all blade levels are not equal you can adjust blade levels by the following procedure. To adjust a blade tip down insert a washer (not supplied) between the blade and blade holder at the screw closest to the motor. To adjust a blade tip up insert washer (not supplied) between the blade and blade holder at the two screws farthest from the motor. <input type="checkbox"/> If blade wobble is still noticeable interchanging two adjacent (side by side) blades can redistribute the weight and possibly result in smoother operation.
4	If light does not work.	<ul style="list-style-type: none"> <input type="checkbox"/> Check blue wire from fan to make sure it is connected to hot wire from the house. <input type="checkbox"/> Check for loose or disconnected wires in fan switch housing. <input type="checkbox"/> Check for loose or disconnected wires in light kit. <input type="checkbox"/> Check for faulty light bulbs. CAUTION: Make sure main power is turned off before entering switch housing. <input type="checkbox"/> If the fan light shuts off shortly after being switched on it may be due to excessive current demand. Turn off power to the fan and replace the light bulbs with lower wattage bulbs. Turn on power to the fan using the pull chain, wall switch, or remote control (whichever is installed on the particular fan).

Balacing Kit

The Balancing kit should only be used if there is an unacceptable amount of fan wobble after completing all the steps in your Owners Manual under “Attaching The Fan Blades.”

1. Turn the fan on and set the speed control setting to a speed at which the wobbles is the greatest.
2. Turn off the fan and allow it to come to a complete stop. Select one blade and place the balance clip on it, halfway between the blade holder and the blade tip on the trailing edge of blade.
3. Turn the fan on. Note whether the wobble has increased or decreased. Turn the fan off, move the clip to another blade, and retest. Repeat this procedure on all blades noting the blade on which the greatest improvement is achieved.
4. Move the clip back to the blade that showed the greatest improvement. Move the clip inward and outward on this blade and operate the fan to find the position where the clip gives the greatest improvement.
5. Remove the clip and install a balancing weight to the top of blade along the center line near the point where the clip was positioned.
6. If the fan wobble problem has not been corrected you may wish to try to improve the balancing further by using the balancing clip and additional weights.

