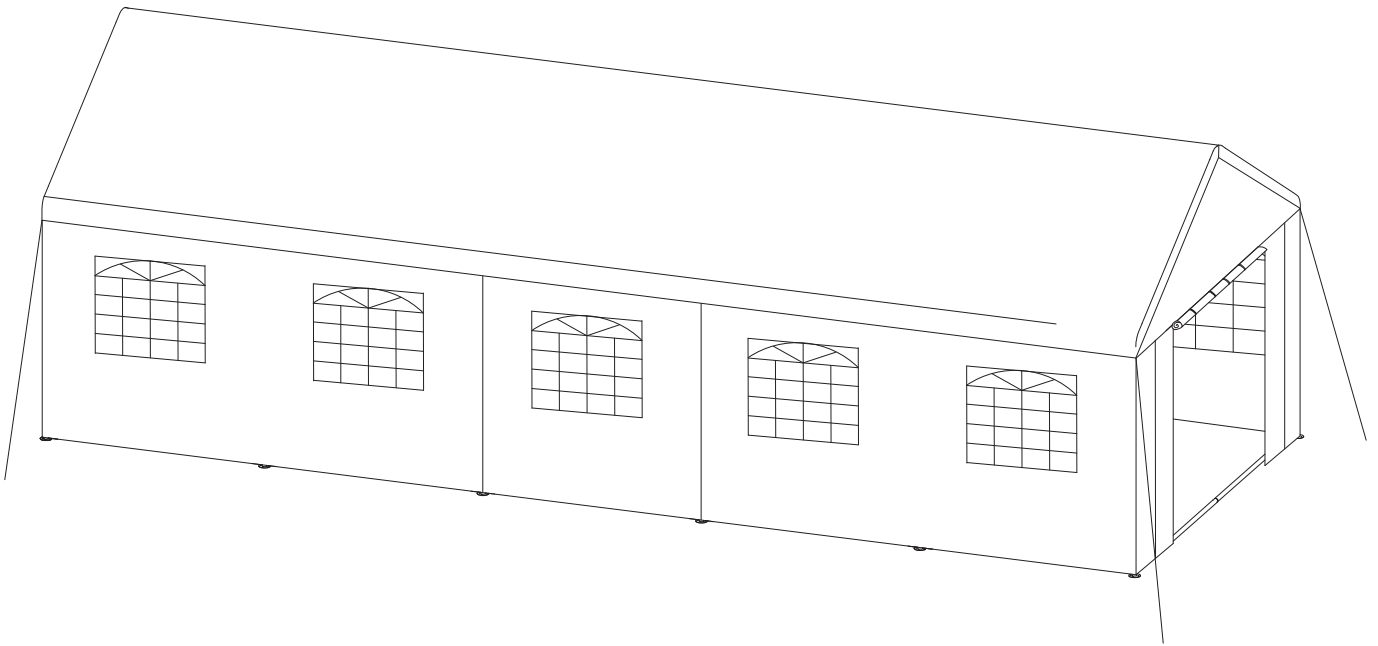
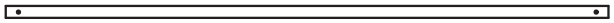

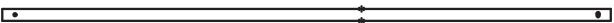









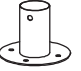








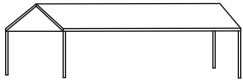
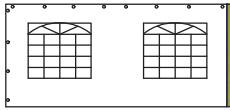
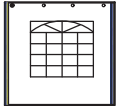
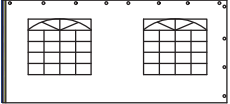
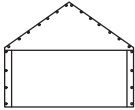


ASSEMBLY INSTRUCTION



20*32 FT PARTYTENT



Item no.	Reference Image		Qty.		
①	 $\phi 38 \times 1930$		X11		
②	 $\phi 38 \times 1930$		X4		
③	 $\phi 38 \times 1930$		X12		
④	 $\phi 38 \times 1910$		X4		
⑤	 $\phi 38 \times 1910$		X8		
⑥	 $\phi 19 \times 1940$		X6		
⑦	 $\phi 28 \times 1450$		X4		
⑧	 $\phi 28 \times 2020$		X14		
⑨	 $\phi 28 \times 1915$		X2		
⑩	 $\phi 38 \times 1415$		X12		
①A		X6	①B		X12
①C		X8	①D		X4

Item no.	Reference Image	Qty.
⑤	 M6*60mm	X12
⑥	 M6*50mm	X20
⑦	 M6*15mm	X8
⑧		X4
⑨		X86
⑩		X1
⑪		X2
⑫		X2
⑬		X2
⑭		X2
⑮		X4
⑯		X24

1



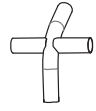
① 11pcs



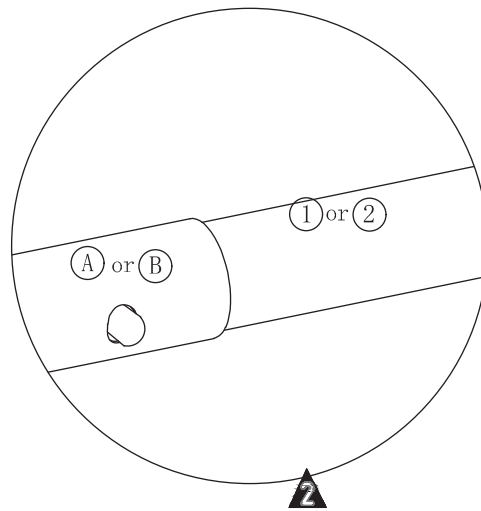
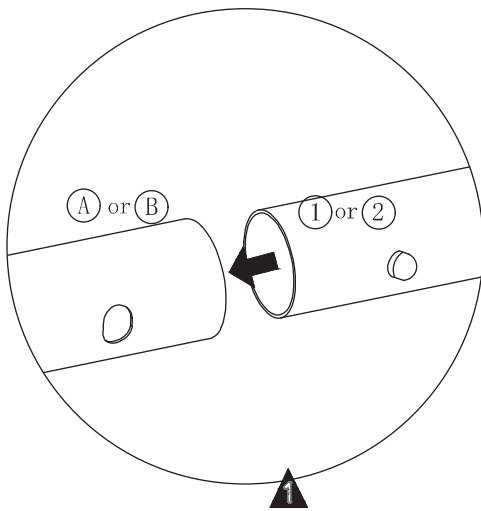
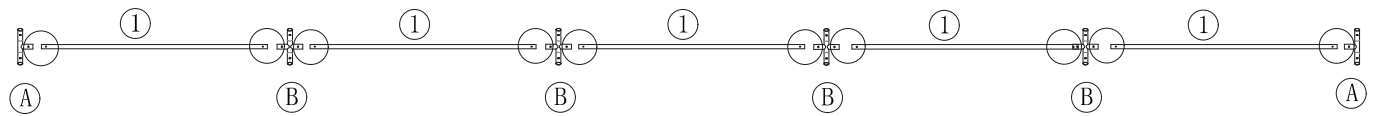
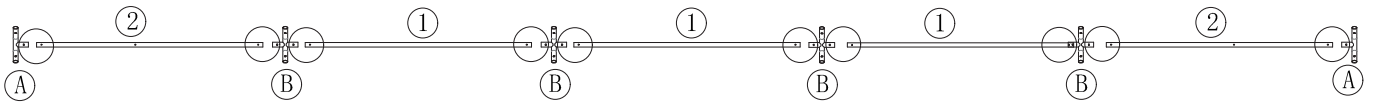
② 4pcs



Ⓐ 6pcs



Ⓑ 12pcs



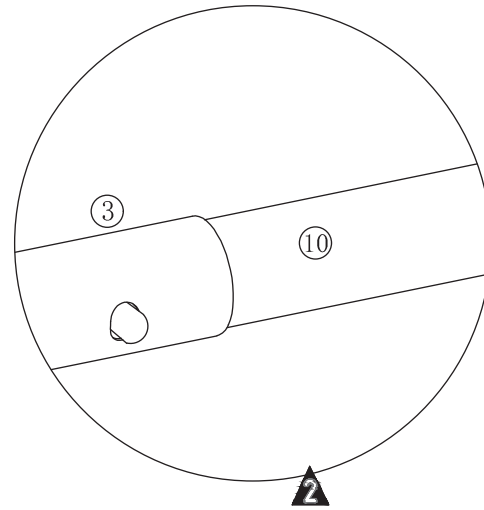
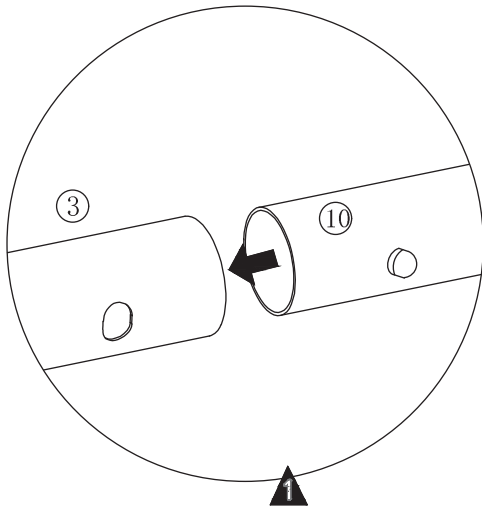
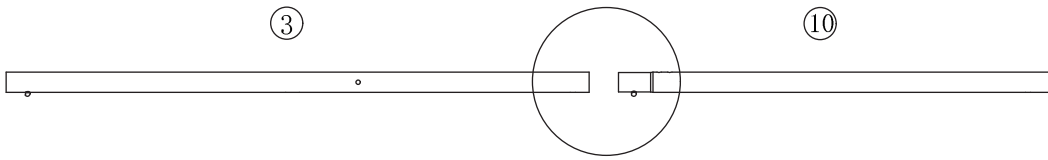
2



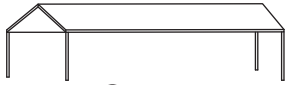
③ 12pcs



⑩ 12pcs



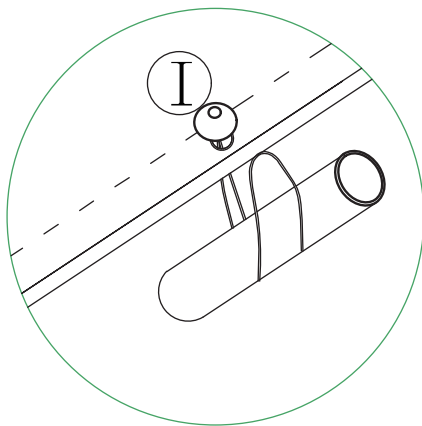
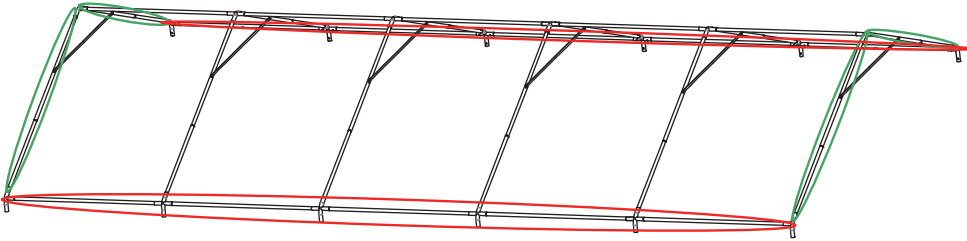
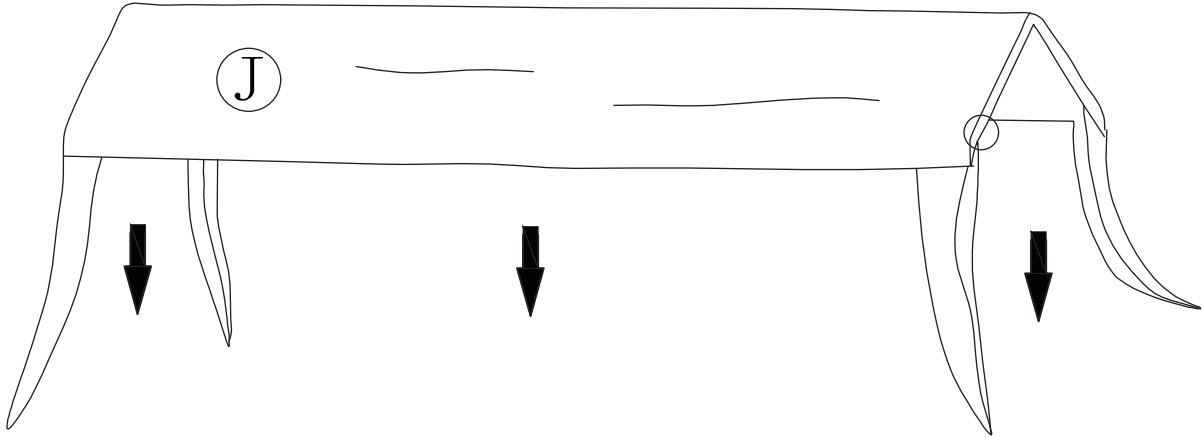
4



ⓐ 1pc



ⓐ 68pcs



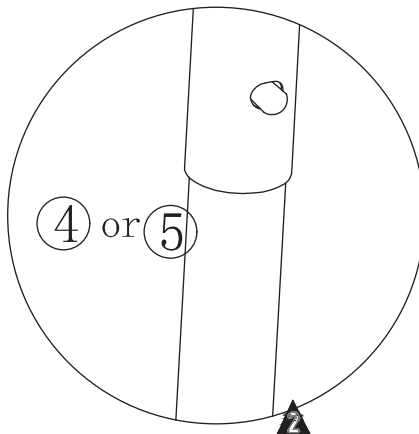
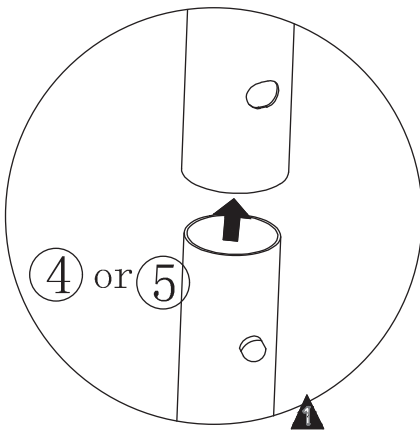
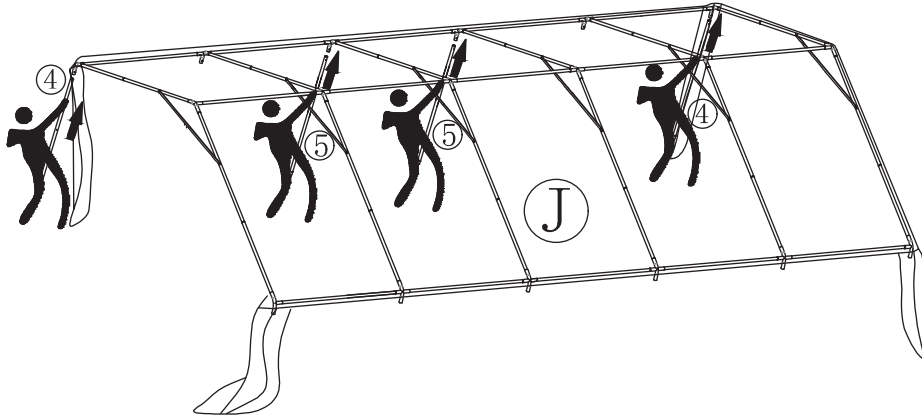
5



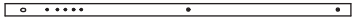
④ 2pc



⑤ 4pc



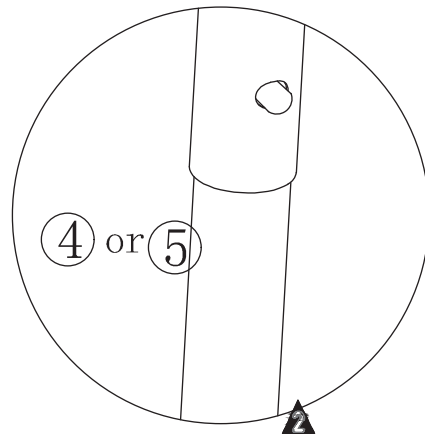
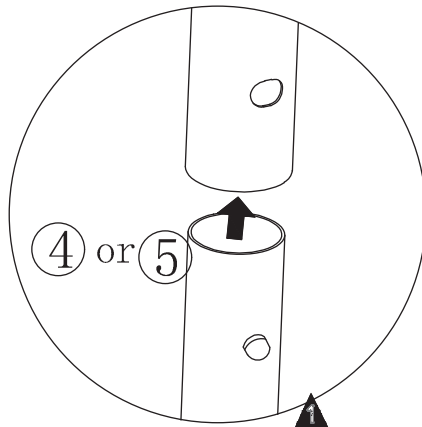
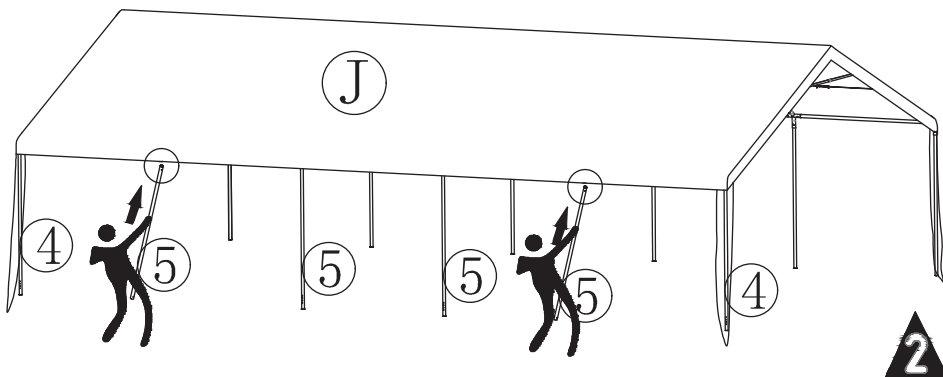
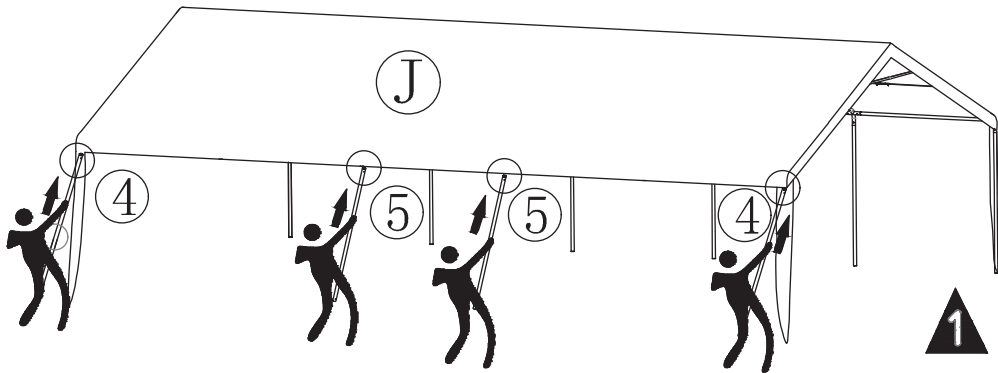
6




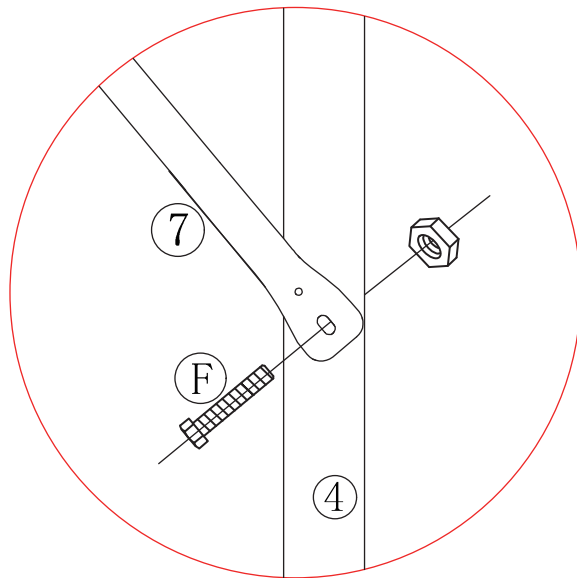
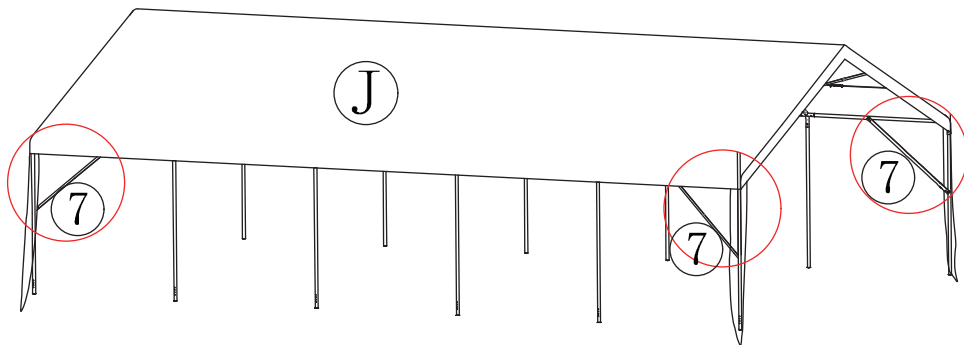
④ 2pc



⑤ 4pc

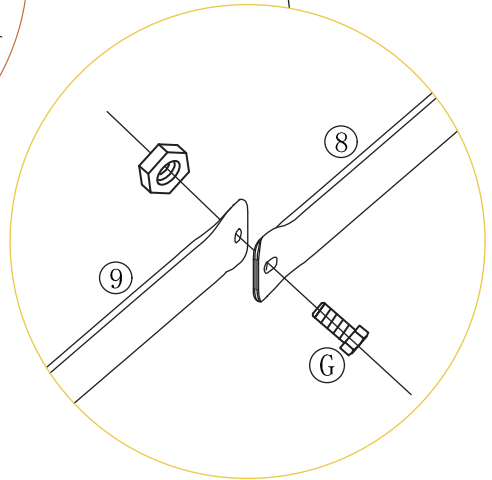
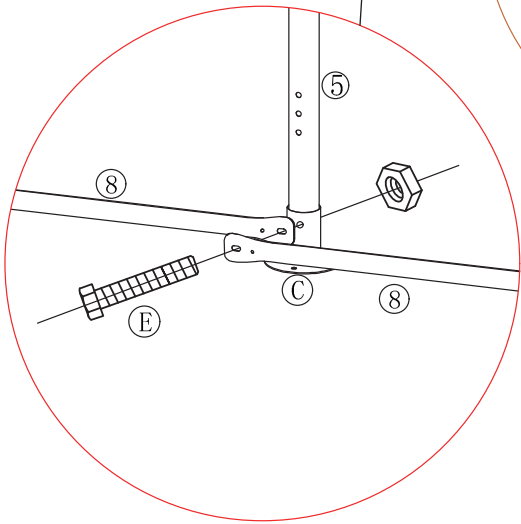
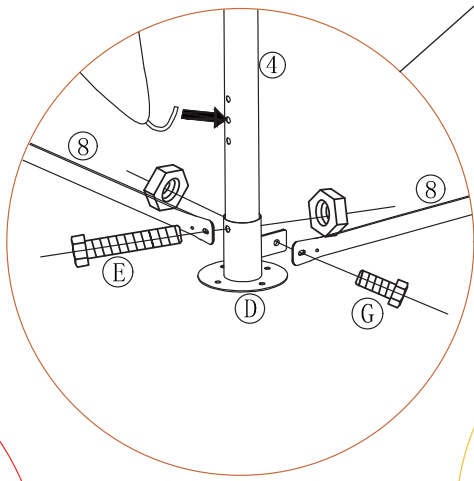
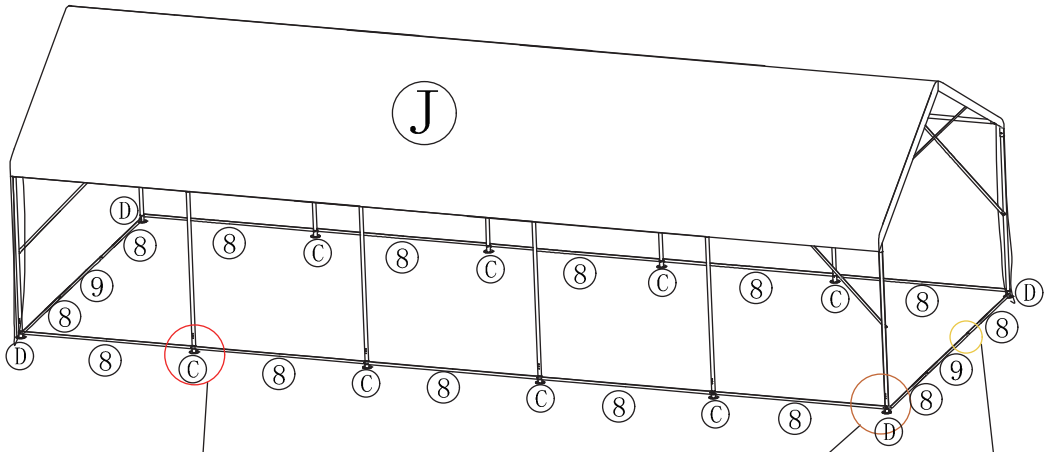



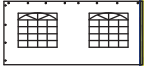
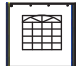

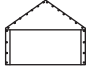
7  M6*50mm
⑦ 4pcs ⑧ 8pcs

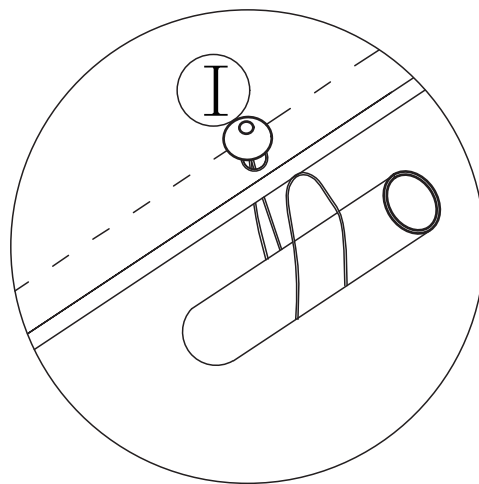
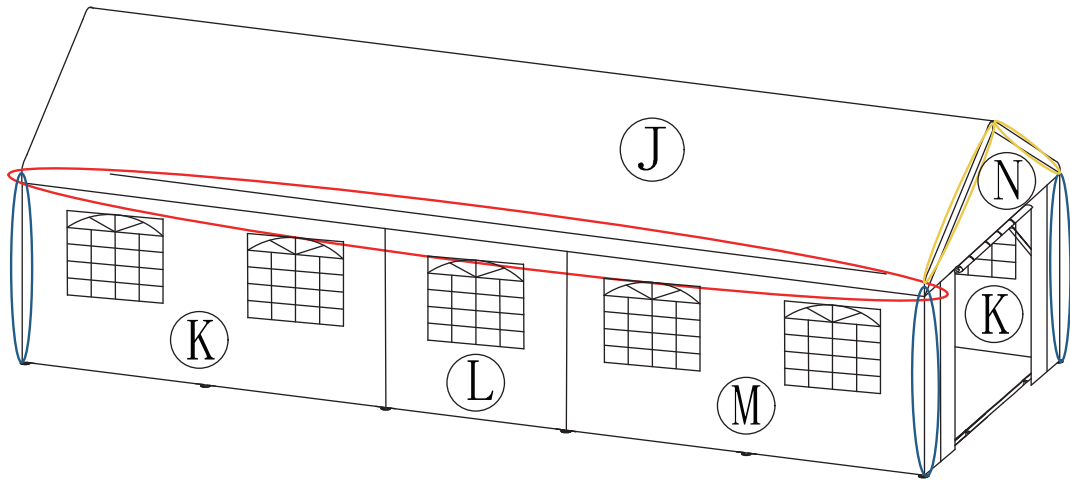


8

- ⑧ 14pcs
- ⑨ 2pcs
- ④ 8pcs
- ⑤ 4pcs
- ⑥ M6*60mm
- ⑦ M6*15mm
- ③ 8pcs
- ② 8pcs



9					
	ⓐ 16pcs	Ⓚ 2pcs	Ⓛ 2pcs	Ⓜ 2pcs	Ⓝ 2pcs



10



Ⓟ 24pcs



Ⓜ 4pcs



Ⓞ 4pcs

