

LINGER 18-LIGHT CHANDELIER

PRODUCT FEATURES

- Designed with 18 LED lights shaped by glass and acrylic cylinders
- Available in three finishes, Polished Nickel, Nightshade Black and Natural Brass that will patina over time
- Coordinate with the entire Linger family, including Chandeliers, Linear Suspension, Pendant and Wall Sconces
- Can be installed on a sloped ceiling up to 35°
- Dimmable with most ELV and TRIAC dimmers
- Protected by a 5-year warranty, please visit the "About Us" Page on techlighting.com for more for warranty details



Nightshade Black

LAMPING

Includes 80.8 watts, 6994 total delivered lumens, 3000K LED modules. Dimmable with most LED compatible ELV and TRIAC dimmers. Includes (4) 12" and (2) 6" rigid stems in coordinating finish. Can be installed on a sloped ceiling up to 35°.



Natural Brass

Polished Nickel

Nightshade Black

ORDERING INFORMATION

700LNG	SHAPE OR SIZE	FINISH	LAMP
	18 18-LIGHT CHANDELIER	NB NATURAL BRASS B NIGHTSHADE BLACK N POLISHED NICKEL	-LED930 INTEGRATED LED 90 CRI 3000K 120V (T20/T24)

This product can mount to either a 4" square electrical box with round plaster ring or an octagon electrical box.

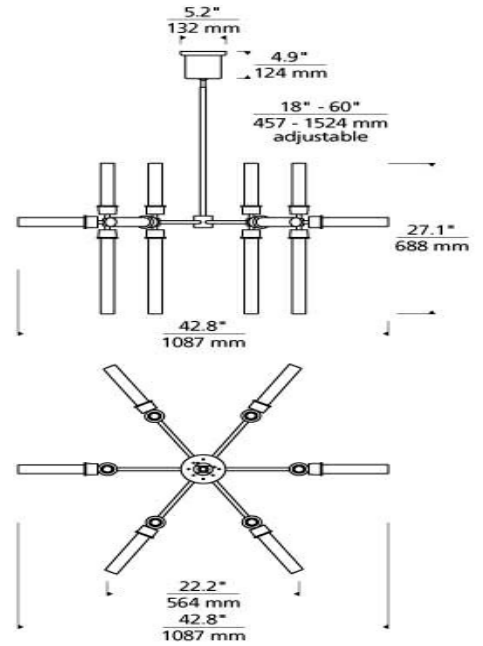
700LNG _____
JOB NAME _____
NOTES _____



LINGER 18-LIGHT CHANDELIER

SPECIFICATIONS

HARDWARE MATERIAL	Metal
SHADE MATERIAL	Glass
NET WEIGHT	22 lbs
HEIGHT	27.1in
WIDTH	42.8in
LENGTH	42.8in
UP LIGHT / DOWN LIGHT / BOTH?	
WET LISTED	
DAMP LISTED	Yes
DRY LISTED	
MIN. HANGING HEIGHT	36in
MAX HANGING HEIGHT	84in
TOTAL CORD LENGTH	
TOTAL STEM LENGTH	Up to 60in
STEM QTY	6
SLOPED CEILING ADAPTABLE?	Yes 35° Max
GENERAL LISTING	ETL Listed
INCLUDES	



LAMPING SPECIFICATIONS

	LED LAMP	INTEGRATED LED	NON LED	NO LAMP
DELIVERED LUMENS		6994		
WATTS		80.8		
MAX WATTAGE PER BULB		80.8W		
INPUT VOLTAGE		120V		
DIMMING TYPE*		ELV, TRIAC		
CCT		3000K		
CRI		90 CRI		
LED LIFETIME				
L70		>50000		
AVERAGE BULB HOURS				
FIELD SERVICEABLE LED				
LAMP BASE		Integrated LED		
LAMP SHAPE		Integrated LED		
LAMP INCLUDED?		Y		
WARRANTY**		5 Years		

*Dimming information available at www.techlighting.com/Downloads#dimming
 ** Visit techlighting.com for specific warranty limitations and details.

T20 / T24 INFORMATION

	Integrated LED	Replacement LED Lamp	No Lamp *
This product can be used to comply with California Building Energy Efficiency Standards 2016 Title 24 Part 6.	Yes		
This product can be used to comply with California Appliance Efficiency Standards 2016 Title 20 and may be shipped to and sold in California.	N/A		

* If a light fixture or component does not include a lamp or light source, it is the responsibility of the customer to select a lamp that meets the T24 and T20 requirements.

