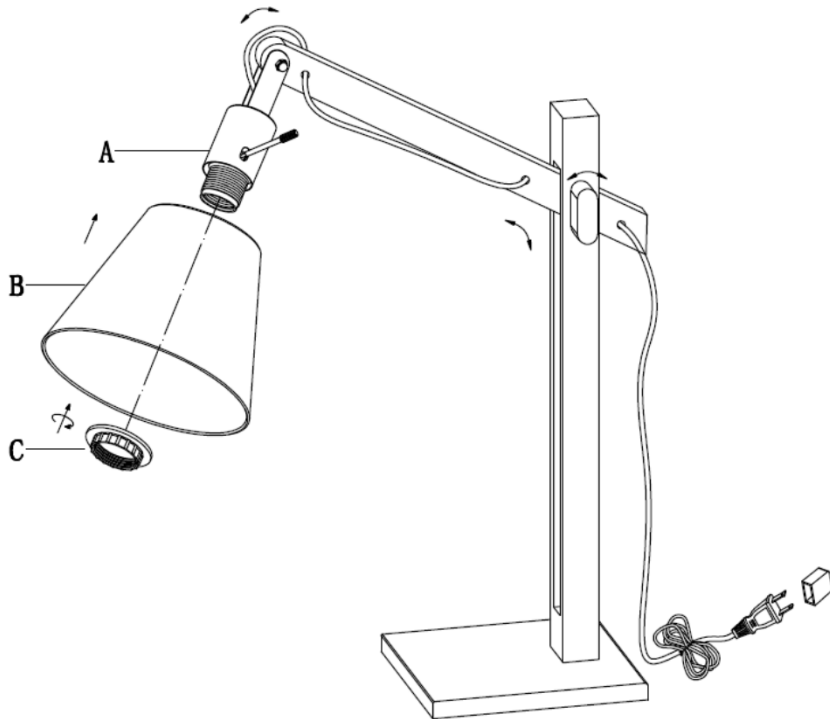


## Table Lamp



1. Place the shade (B) onto socket holder (A) and screw it by socket ring (C).

### GENERAL PRODUCT INFORMATION:

This product is suitable for dry locations only.



### IMPORTANT SAFETY INSTRUCTIONS:

This portable lamp has a polarized plug as a feature to reduce the risk of electric shock (one blade is larger than the other). This plug will fit in a polarized outlet only one way. If the plug does not fit fully in the outlet, reverse the plug. If it still does not fit, contact a qualified electrician. Do not use with an extension cord unless the plug can be fully inserted. **DO NOT ALTER THE PLUG.**

**BULB TYPE:** Use only with one type A Max 60W bulb (bulbs not included).

### PARTS DIAGRAM

- (1) \* Socekt ring(C)