




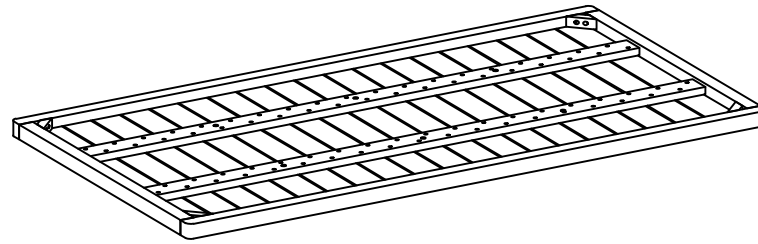


SKU: KS01-T170

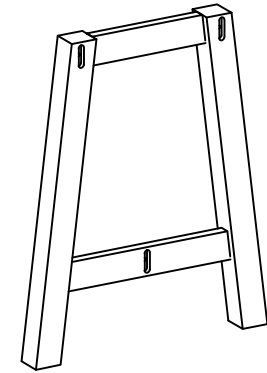
ASSEMBLY INSTRUCTION

No	Hardware	Fig	Q.ty
①	Bolt M6x 100mm		4
②	Bolt M6 x 80 mm		6
③	Bolt M6 x 60 mm		3
④	Horizontal nut		6
⑤	Allen Key		1



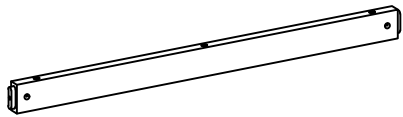
Ⓐ x 1

Table Top



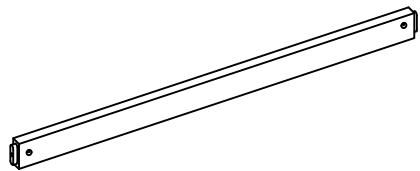
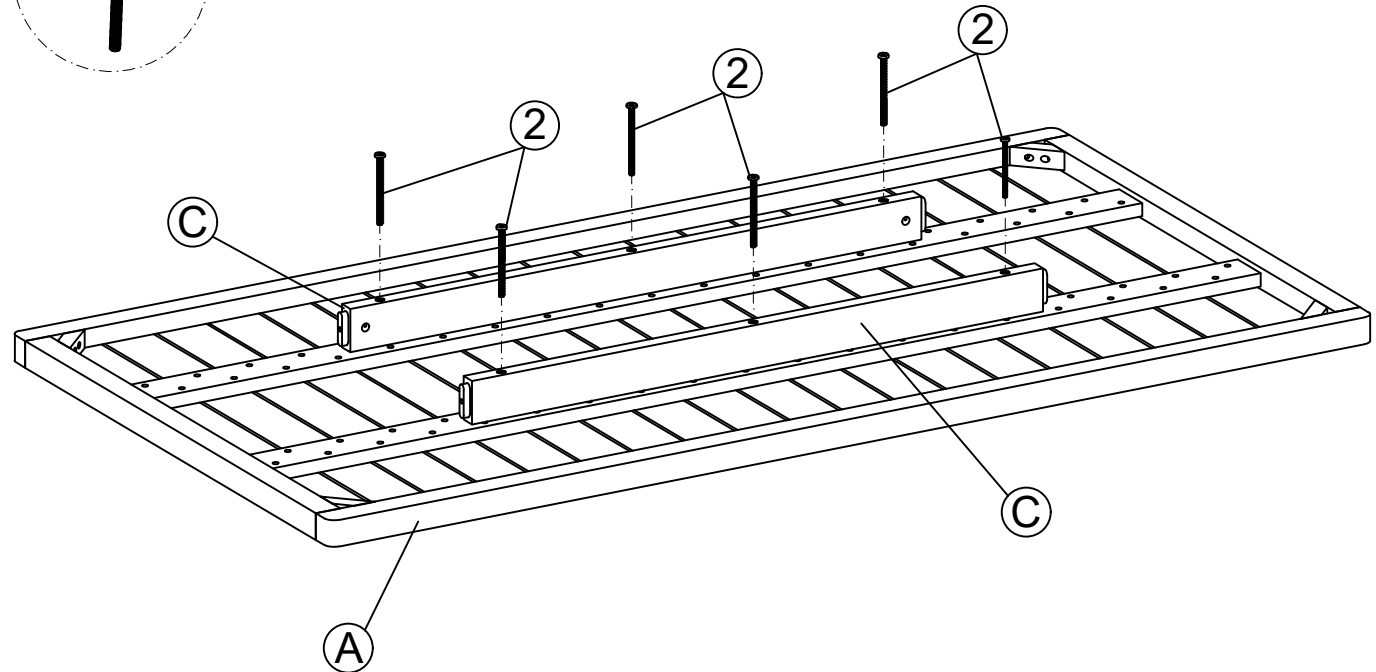
Ⓑ x 2

Table Leg



Ⓒ x 2

Support Pole

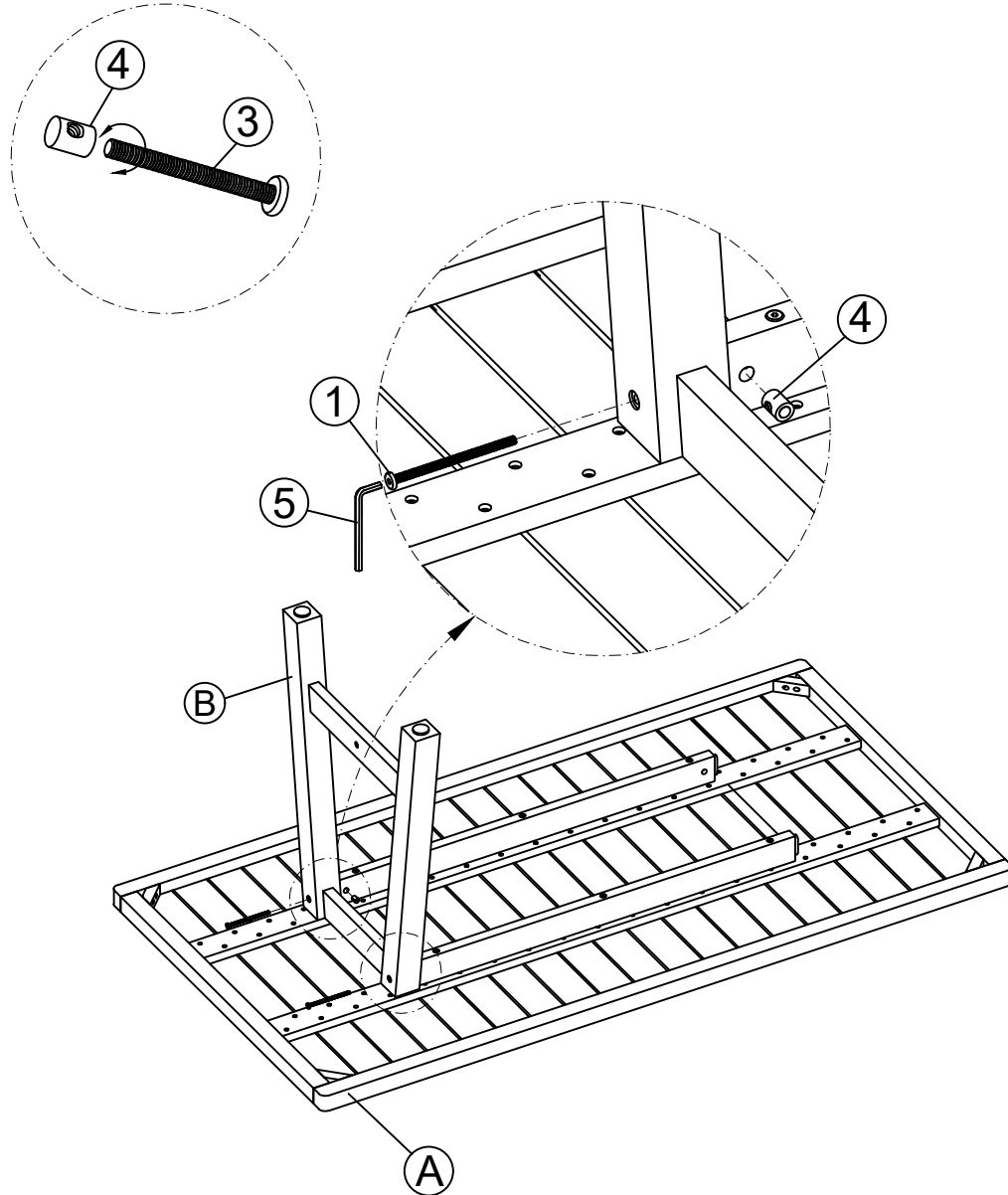


Ⓓ x 1

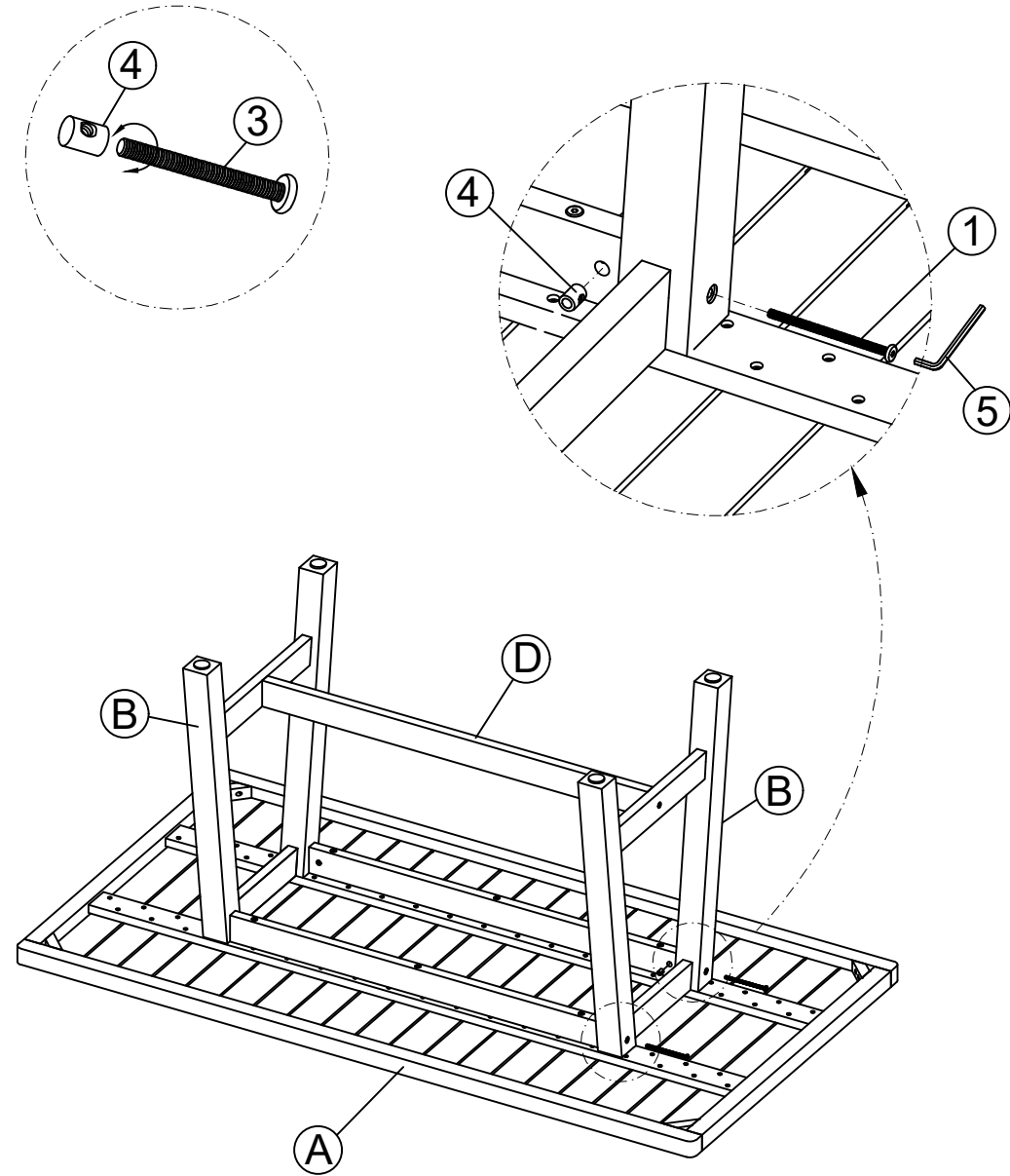
Support Pole

STEP 1



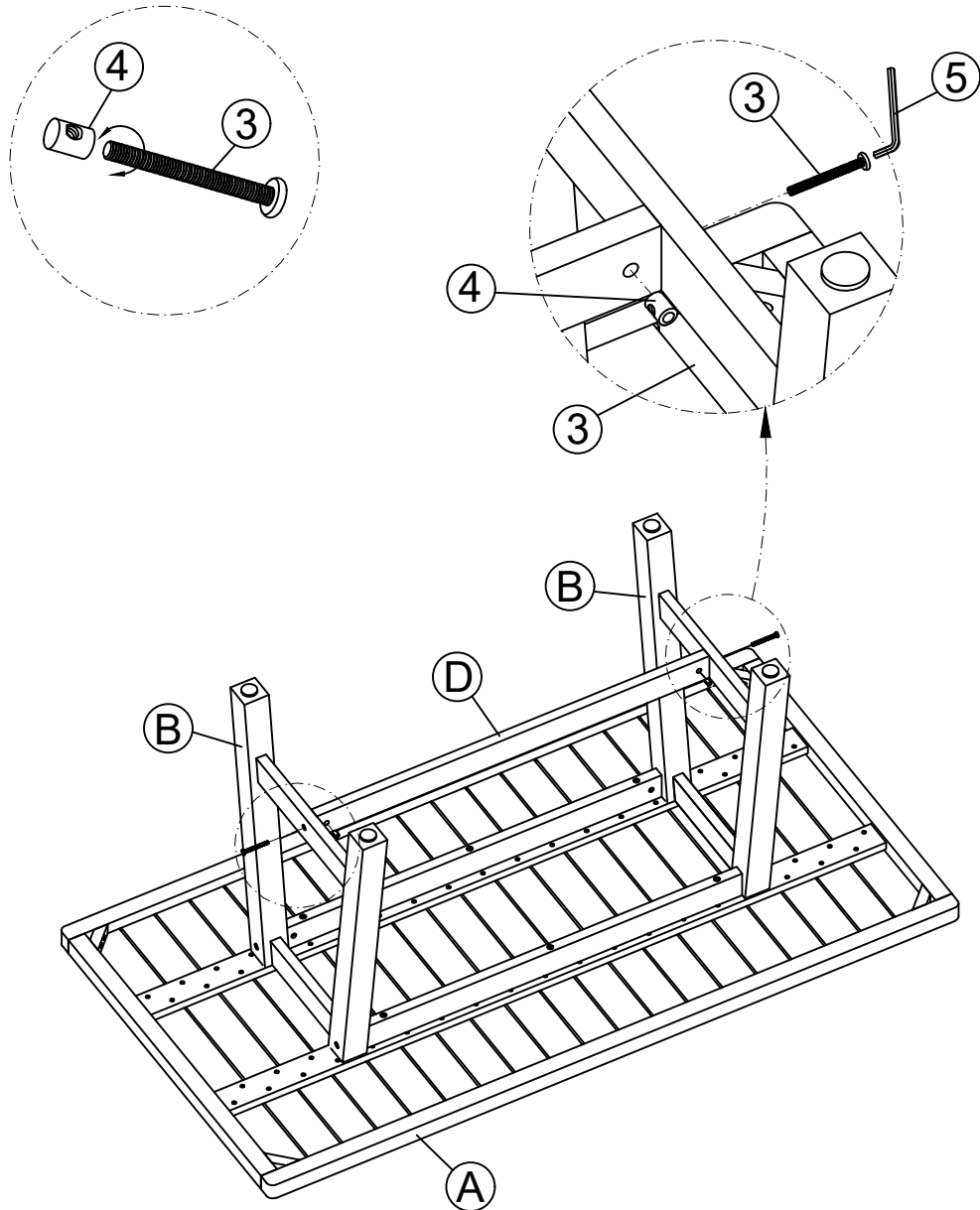


STEP 2

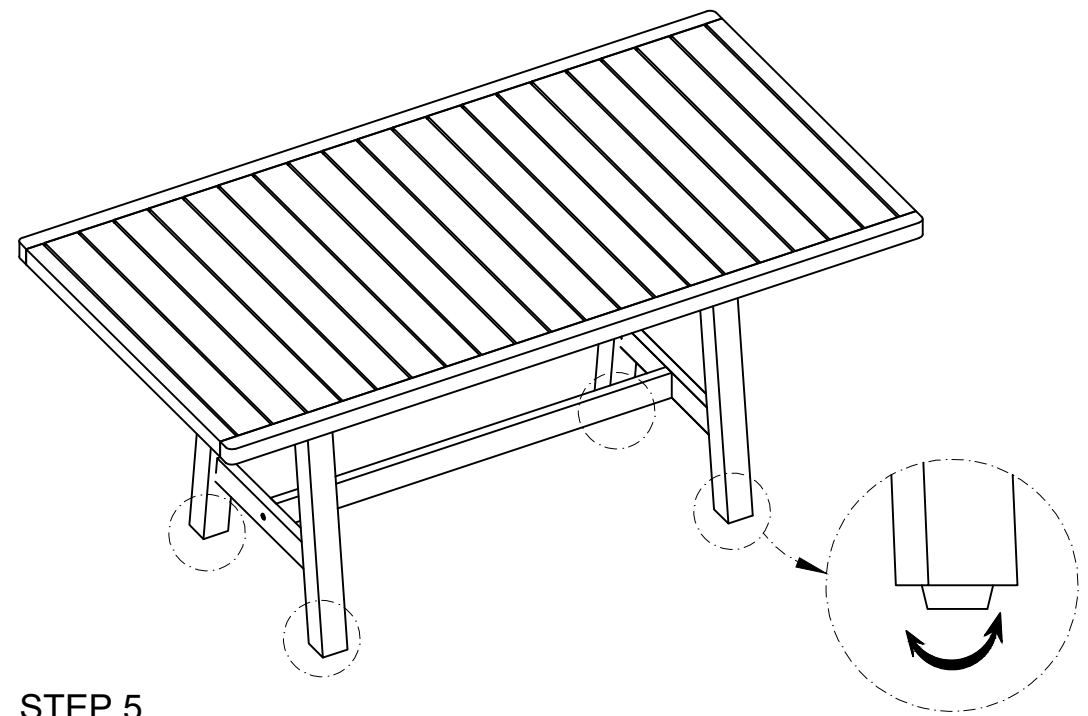


STEP 3

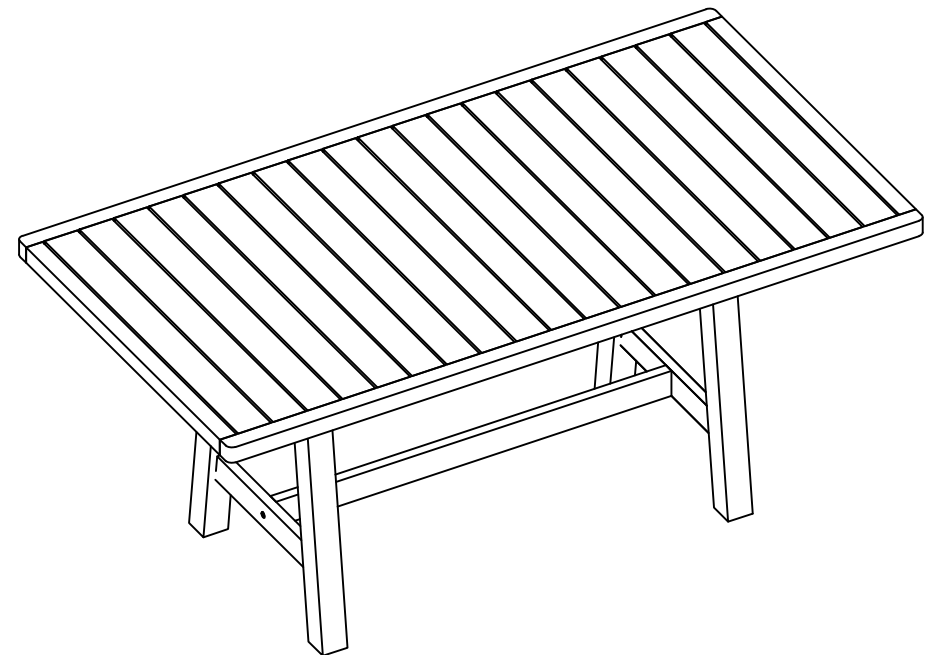




STEP 4



STEP 5



FINISH