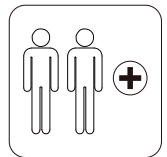
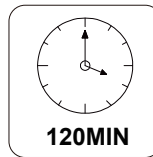
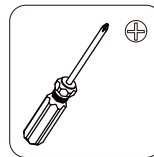
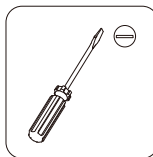


# HLG173

Version:1.0



**EN\_IMPORTANT, RETAIN FOR FUTURE REFERENCE: READ CAREFULLY.**

*. THANK YOU FOR PURCHASE! .*

# FREE REPLACEMENT PARTS AVAILABLE!



*---NEED HELP WITH YOUR FURNITURE?---*

Scan the QR code to contact us!



If you're experiencing any issues—whether due to shipping, assembly, or any other reason  
—we're here to help.  
For any damaged or missing components, we're happy to provide FREE replacement parts.



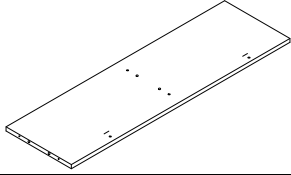
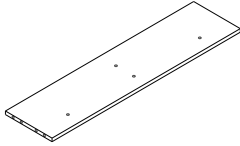
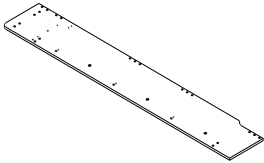
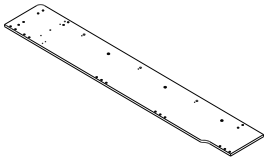
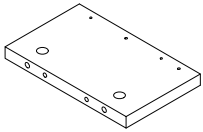
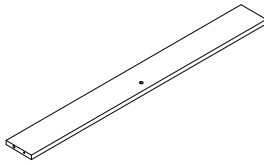
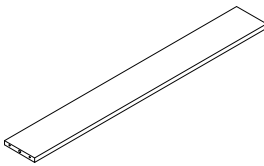
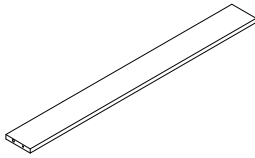
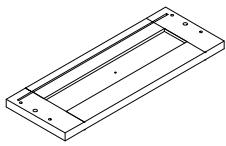
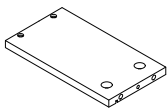
WhatsApp

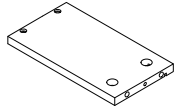
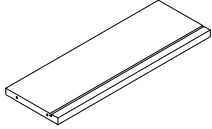
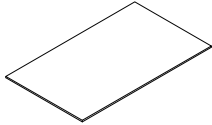
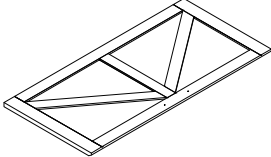
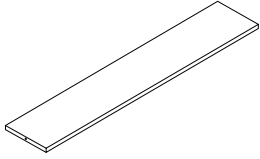
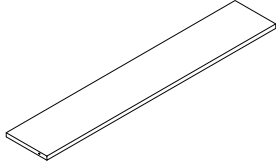
Email: [support@anymaple.com](mailto:support@anymaple.com)

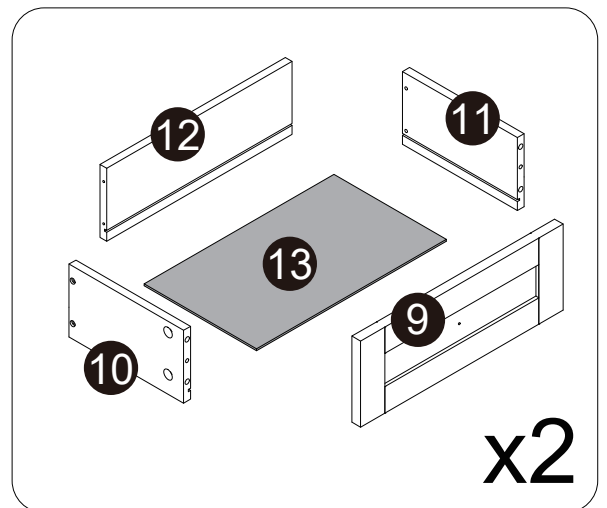
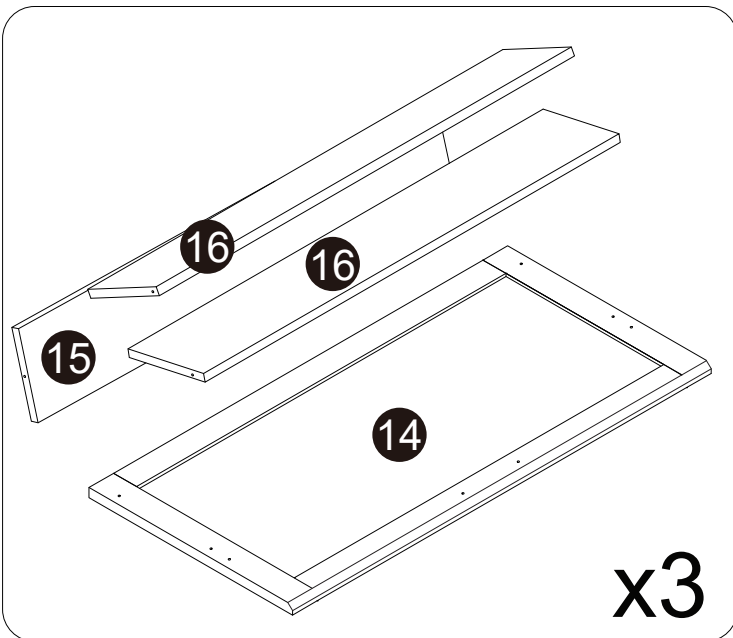
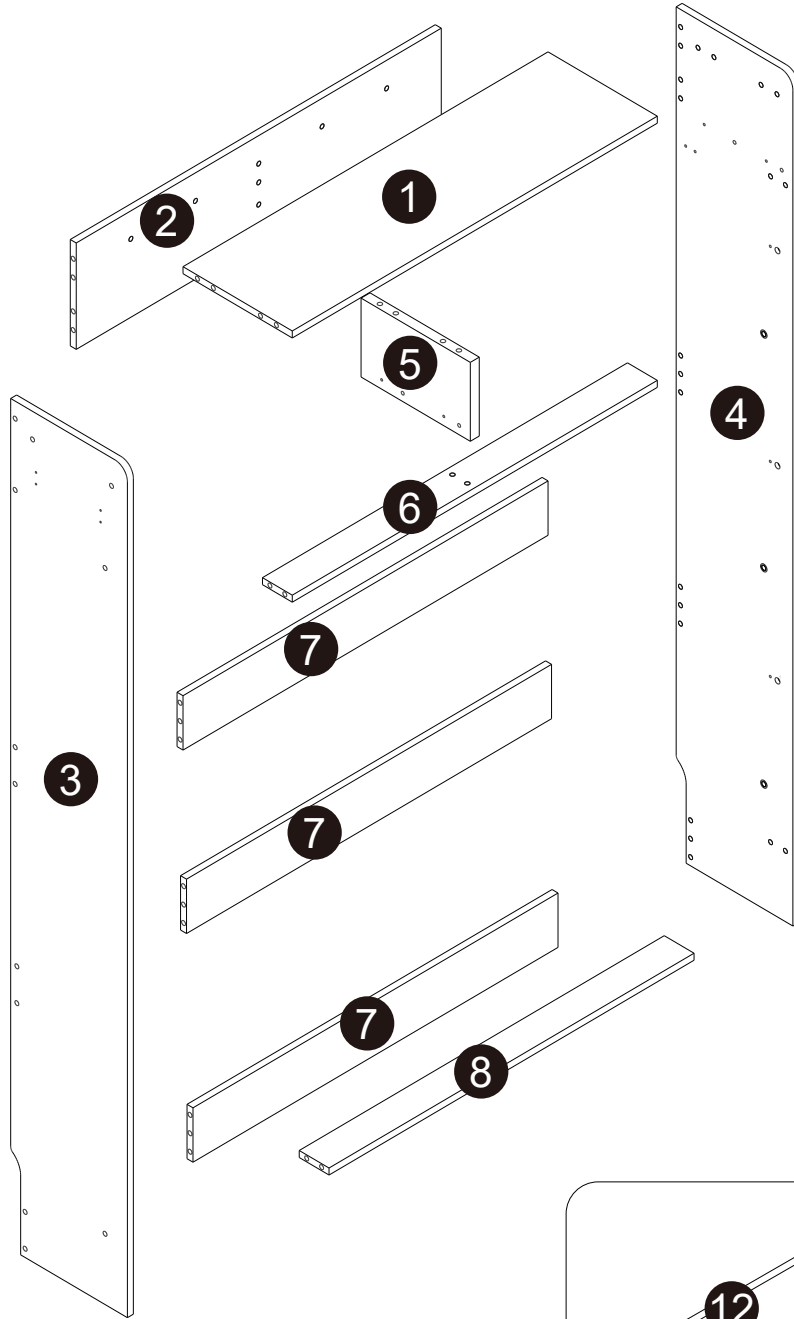
*WANT TO CONTACT US THROUGH AMAZON?*

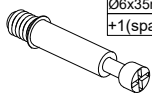

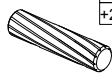
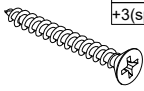



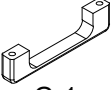

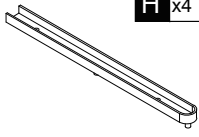

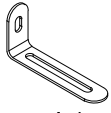




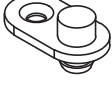


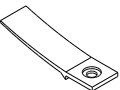
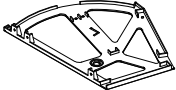



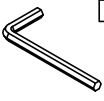
- ▶ Log in to your Amazon account.
- ▶ Go to “Your Orders” and locate your furniture order.
- ▶ Click on “Get Help with Order” to send us a message directly.

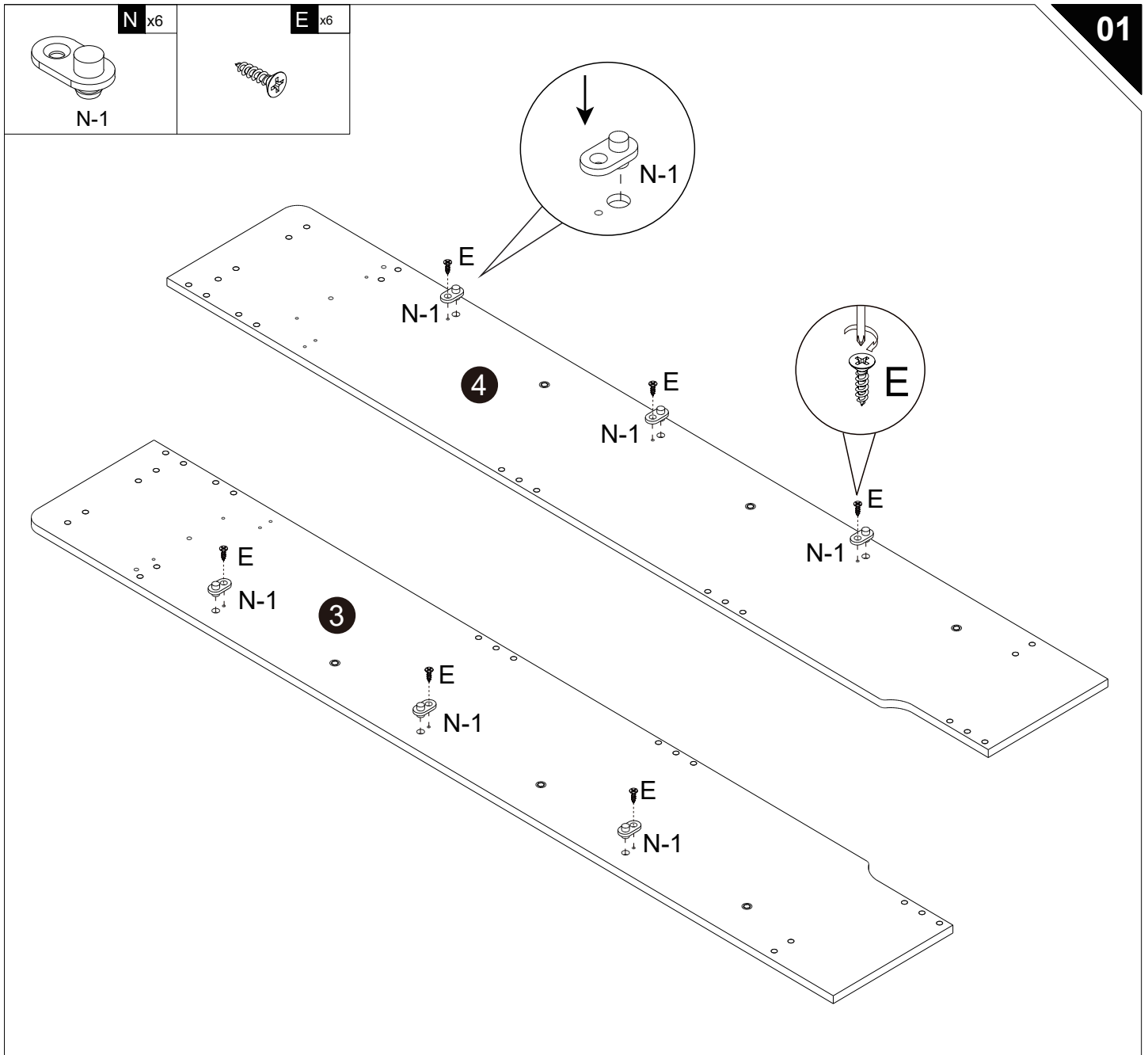
Our customer support team is ready to assist you and we will respond within  
12-24 HOURS to resolve your concerns quickly!

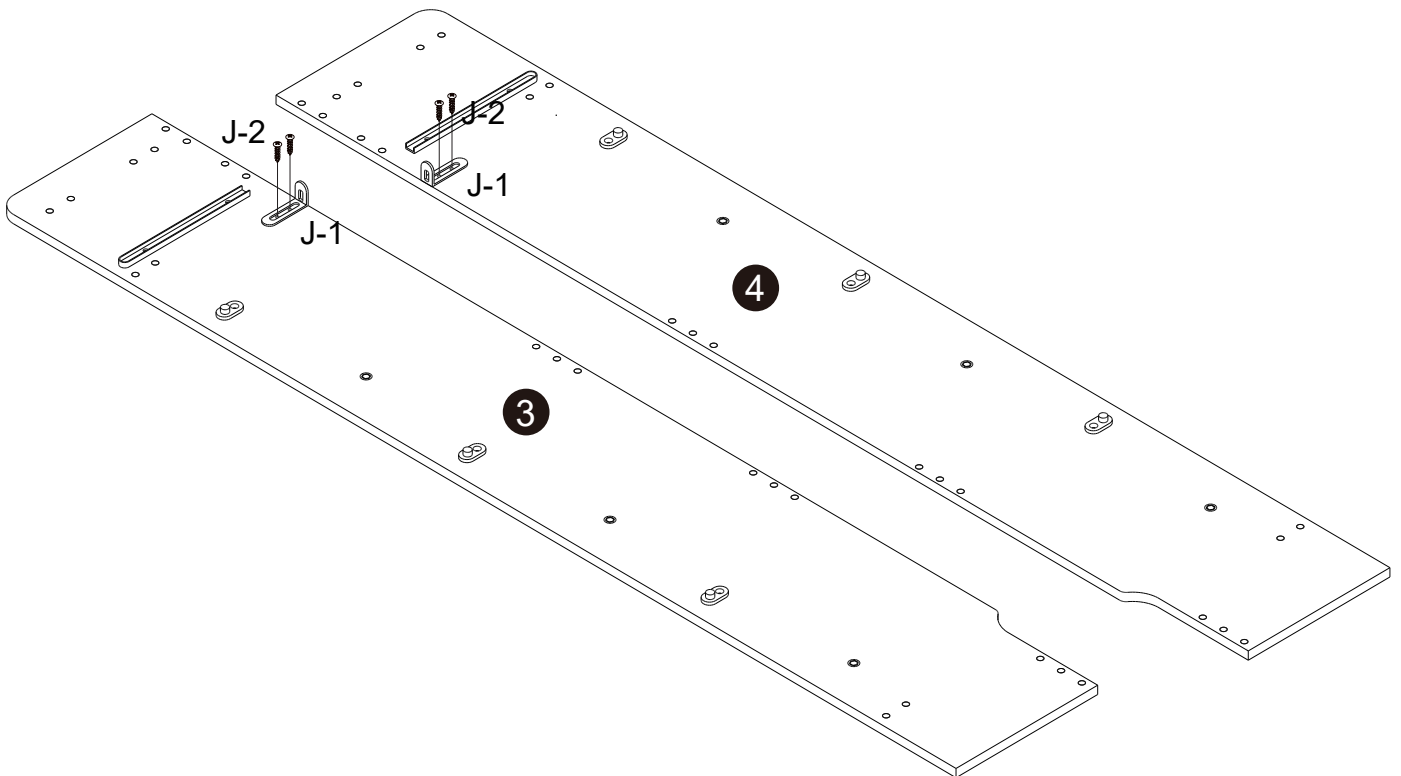
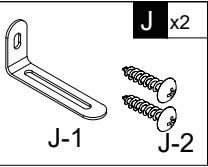
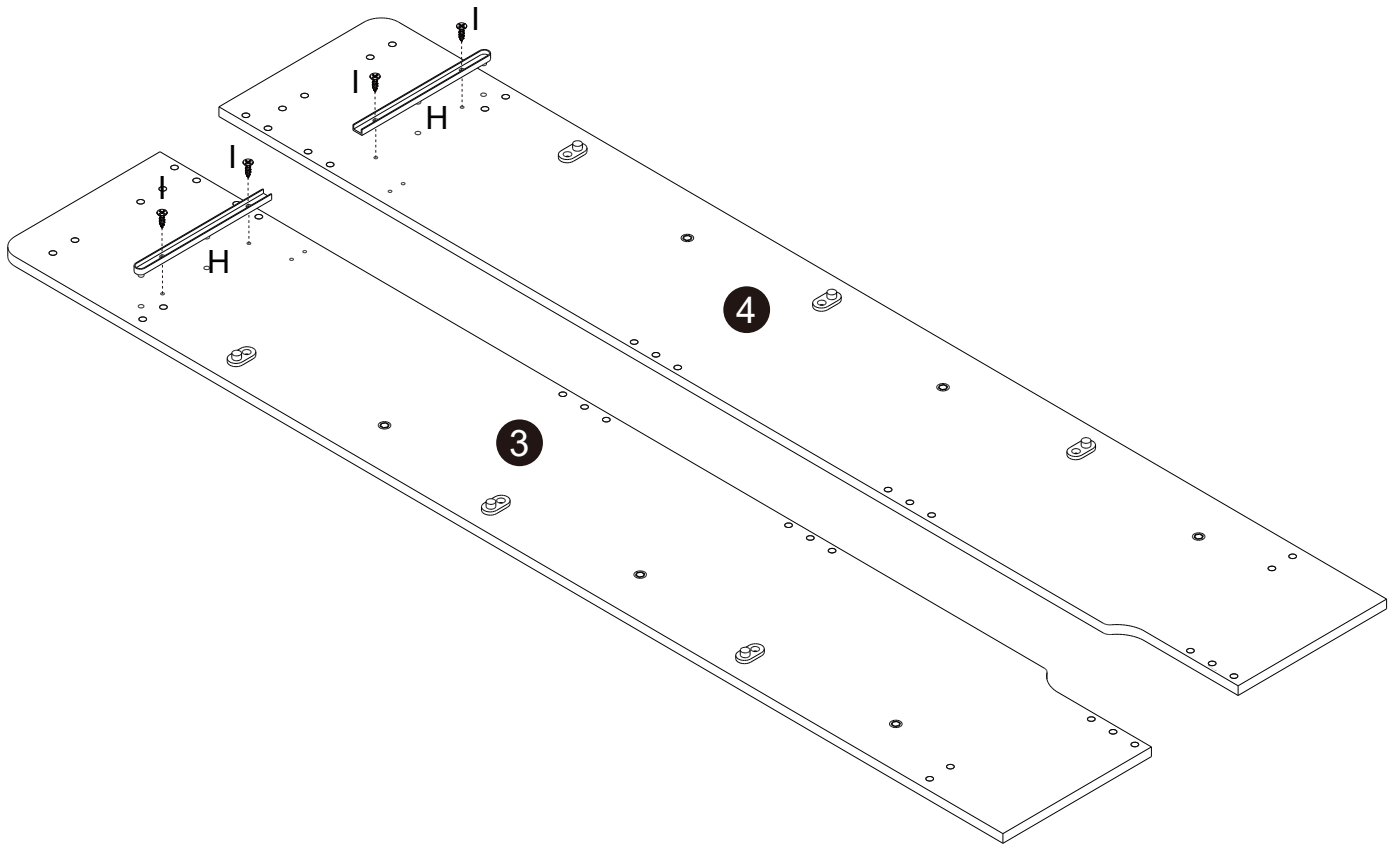
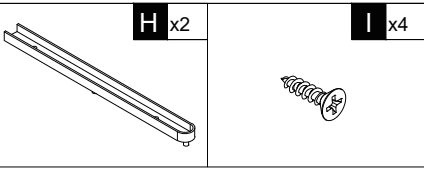
NO.	PARTS	QTY	SPARE
①		x1	
②		x1	
③		x1	
④		x1	
⑤		x1	
⑥		x1	
⑦		x3	
⑧		x1	
⑨		x2	
⑩		x2	

NO.	PARTS	QTY	SPARE
⑪		x2	
⑫		x2	
⑬		x2	
⑭		x3	
⑮		x3	
⑯		x6	



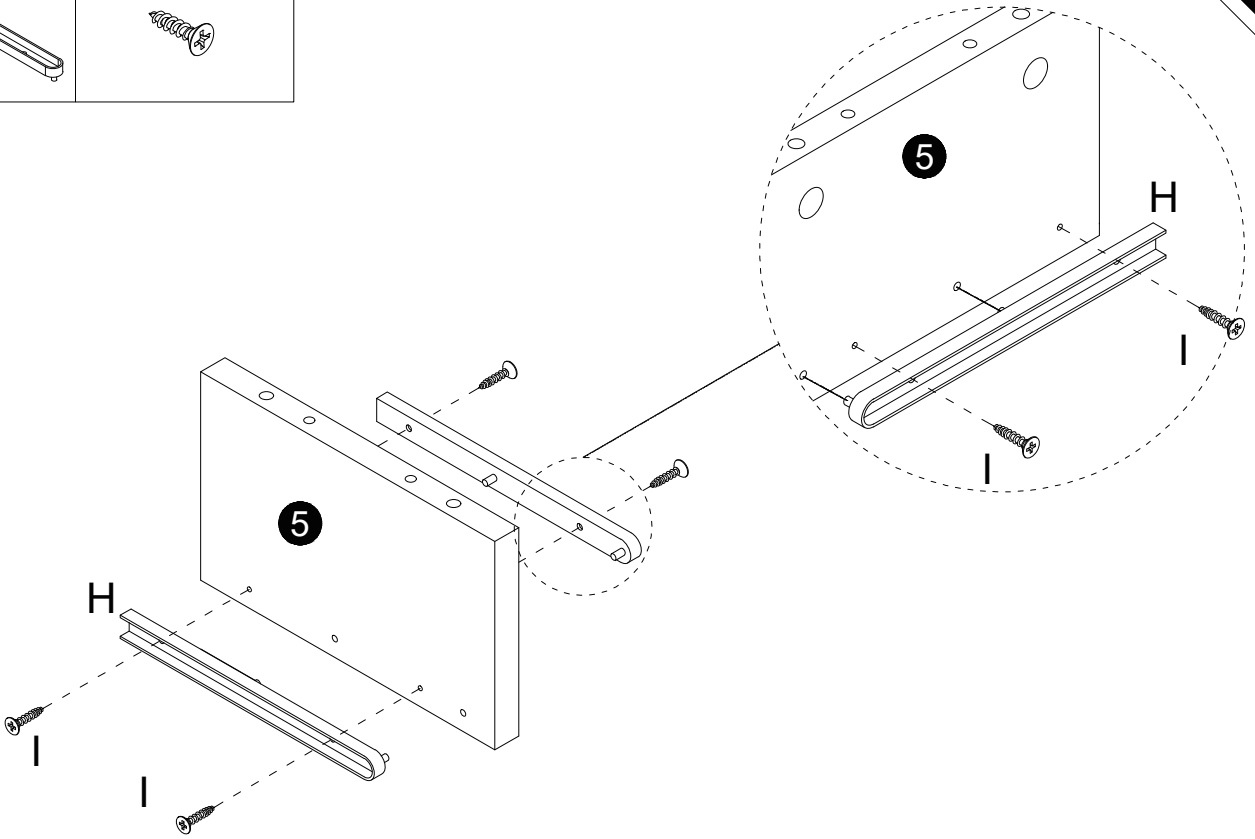
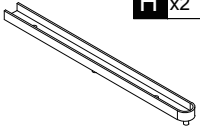
<p><b>A</b> x10 Ø6x35mm +1(spare)</p> 	<p><b>B</b> x10 Ø15x10mm +1(spare)</p> 	<p><b>C</b> x29 Ø6x30mm +2(spare)</p> 	<p><b>D</b> x37 Ø4x35mm +3(spare)</p> 	<p><b>E</b> x44 Ø3.5x12mm +2(spare)</p> 	<p><b>F</b> x2</p>   <p>F-1 F-2</p>	
<p><b>G</b> x3</p>   <p>G-1 G-2</p>	<p><b>H</b> x4</p> 	<p><b>I</b> x8 Ø3x12mm +1(spare)</p> 	<p><b>J</b> x2 Ø4x12mm</p>   <p>J-1 J-2</p>	<p><b>K</b> x2</p>   <p>K-1 K-2</p>	<p><b>M</b> x28 +4(spare)</p> 	
<p><b>N-1</b> +1(spare)</p> 	<p><b>N-2</b> +1(spare)</p> 	<p><b>N</b> x6 <b>N-3</b></p> 	<p><b>O</b> x2</p> 	<p><b>L</b> x3</p> 	<p><b>R</b> x3</p> 	<p><b>P</b> x2</p>   <p>P-1 P-2</p>
<p><b>Q</b> x1 M5</p> 						





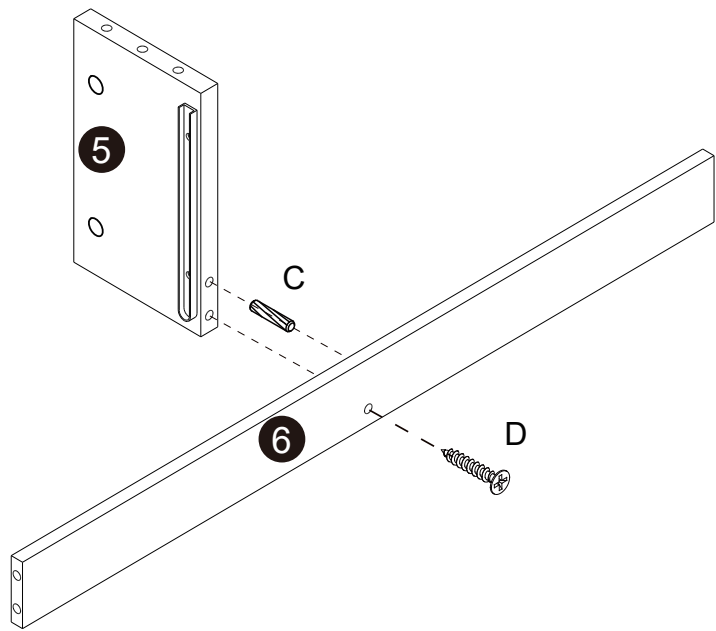
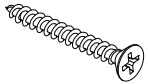
H x2

I x4



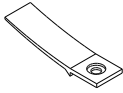
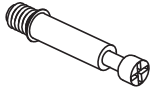
C x1

D x1

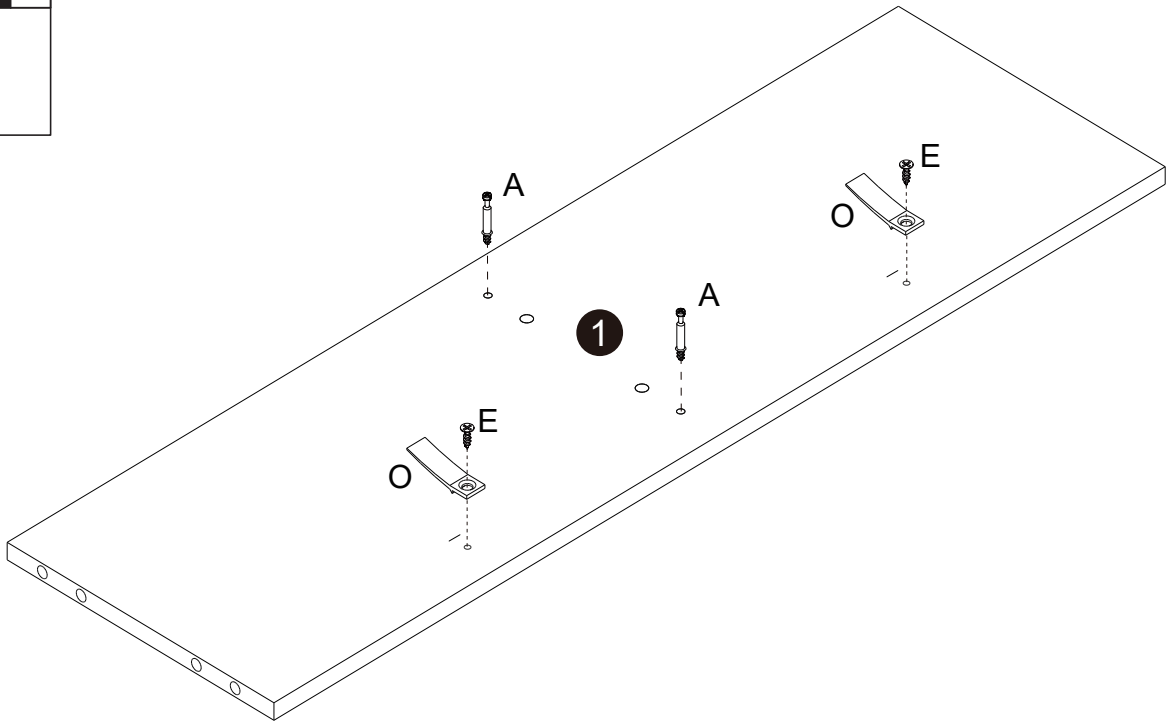


A x2

O x2

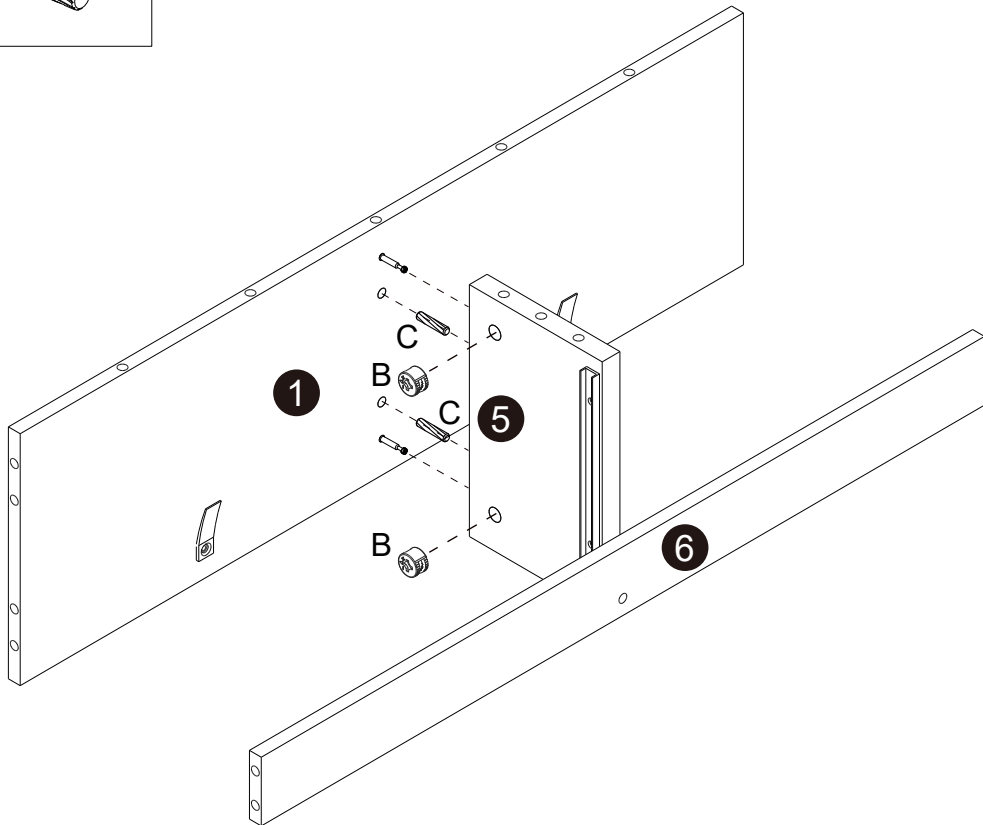


E x2



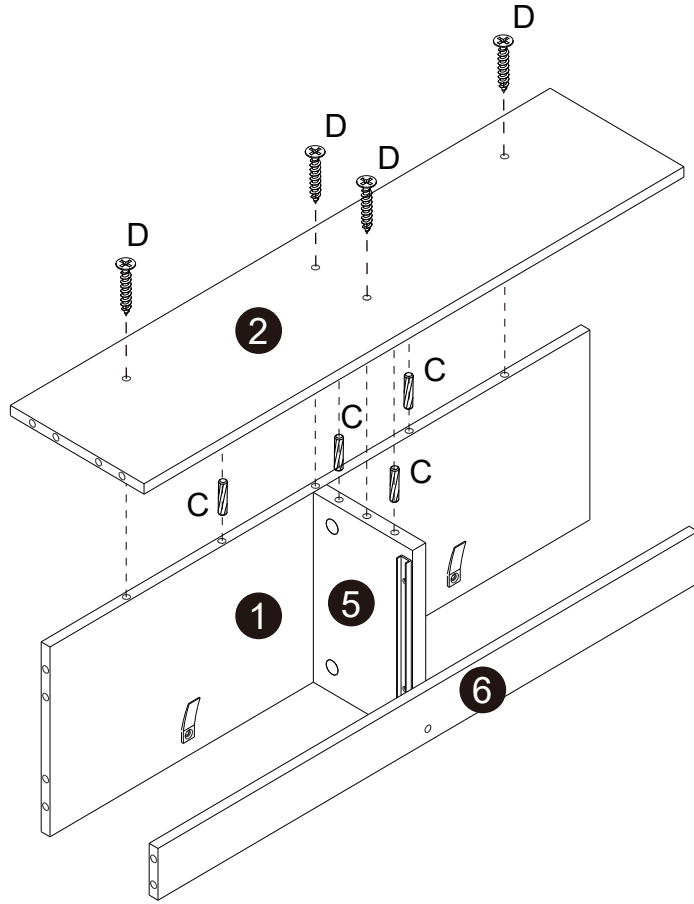
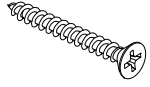
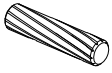
B x2

C x2



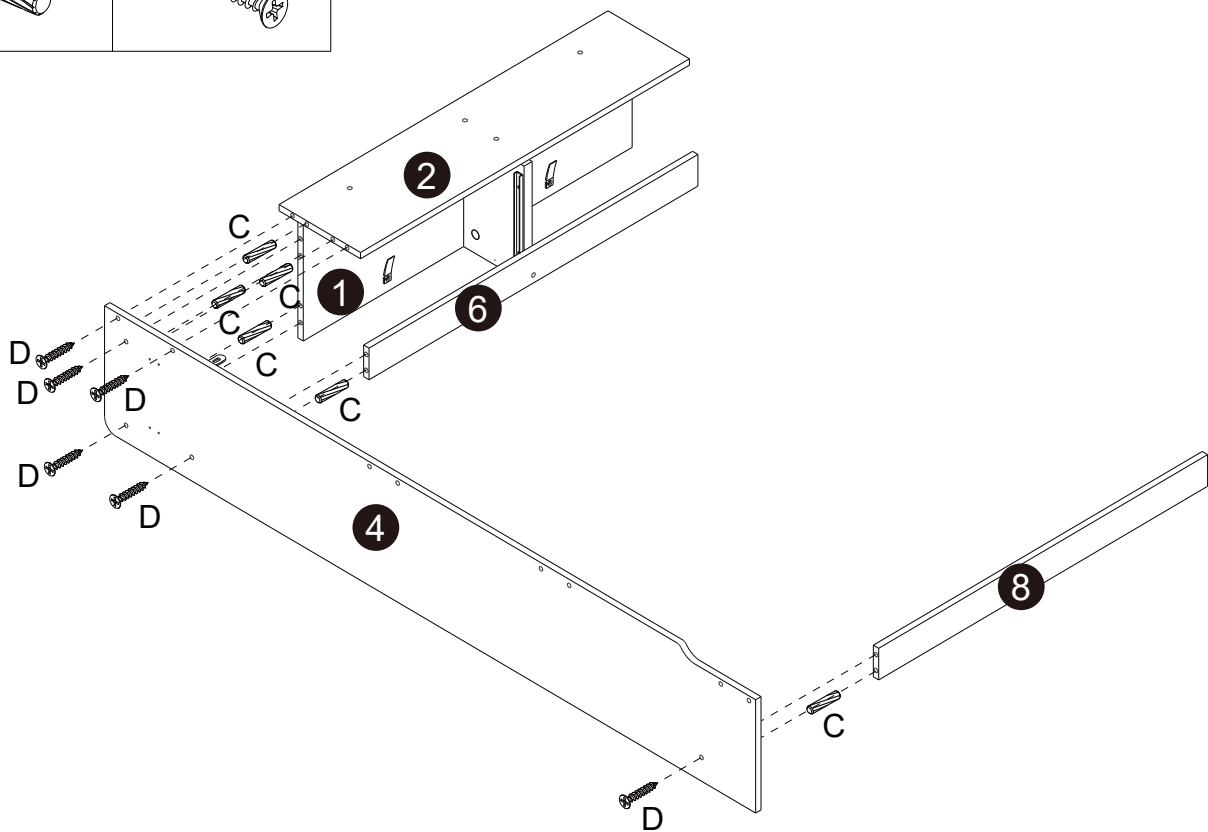
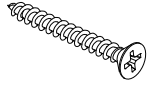
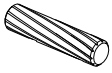
C x4

D x4



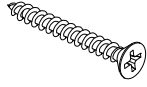
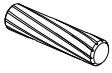
C x6

D x6

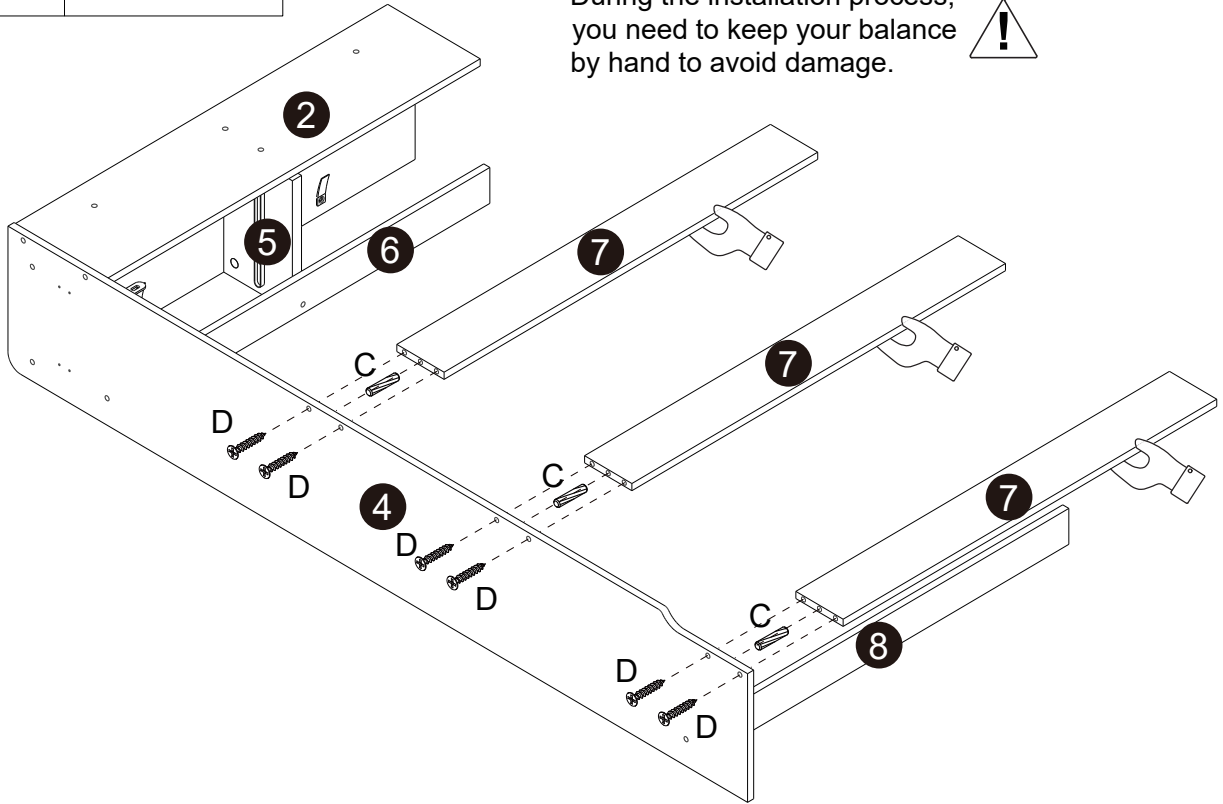


C x3

D x6

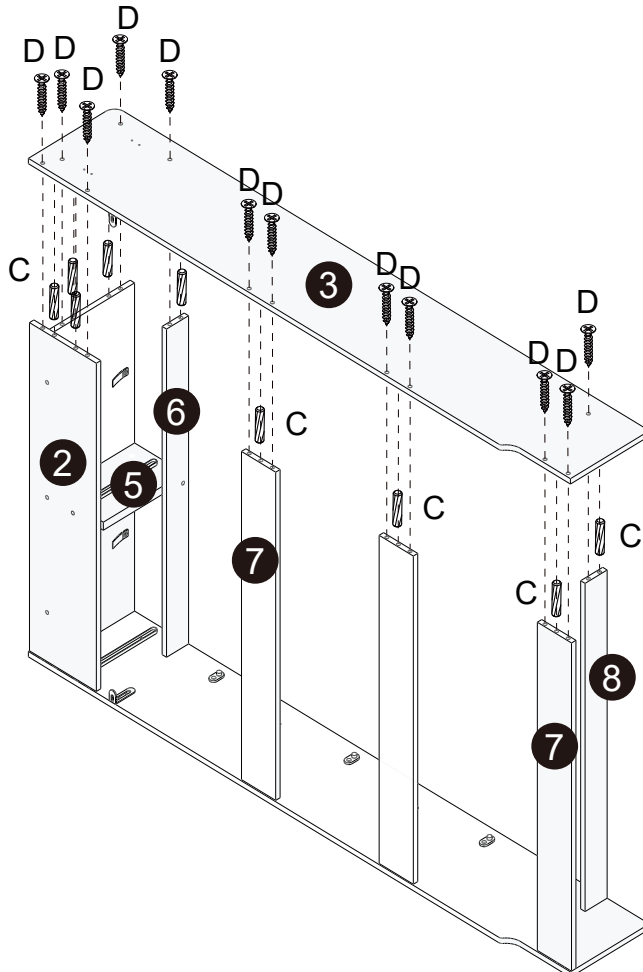
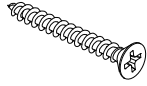
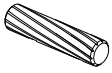


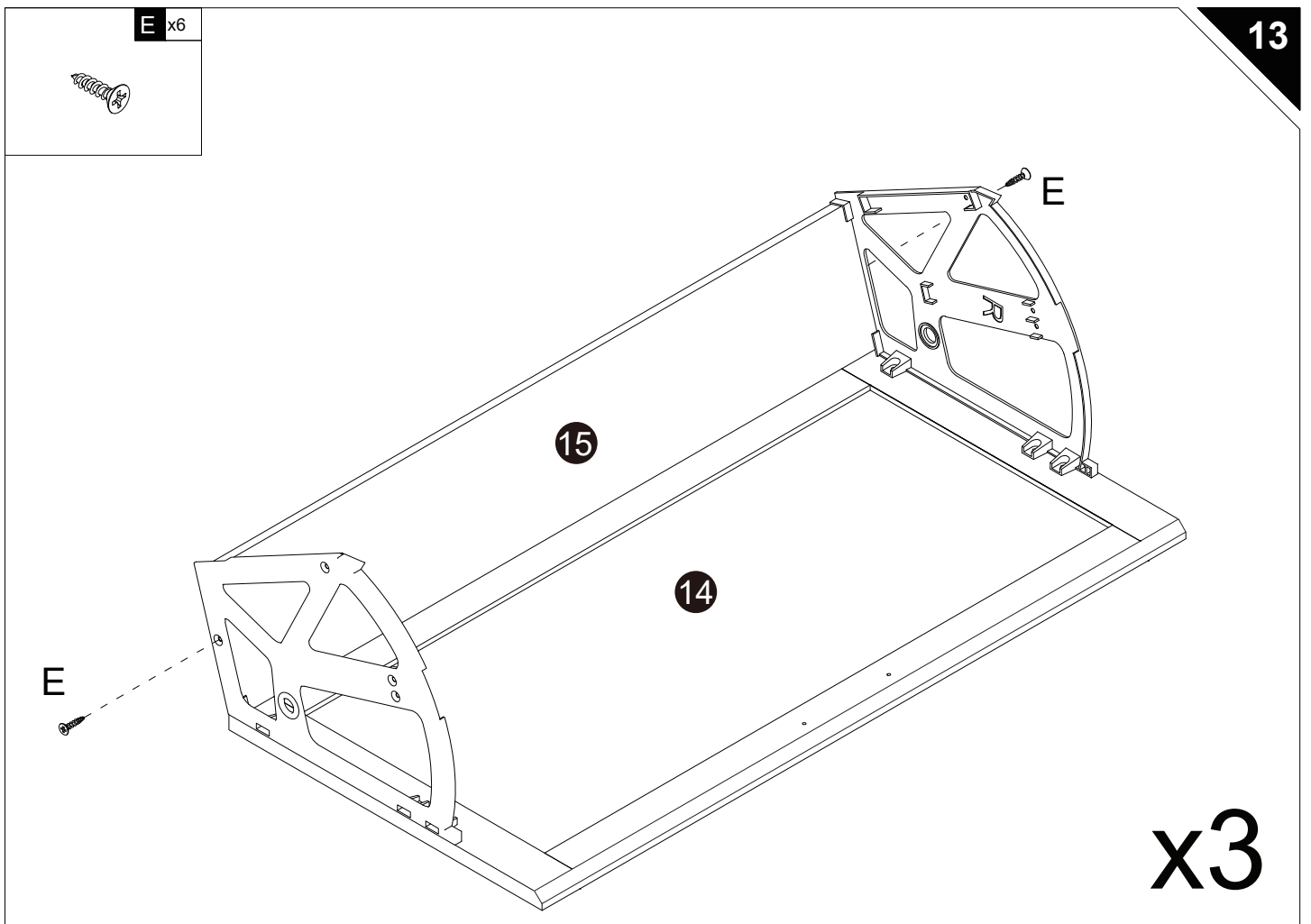
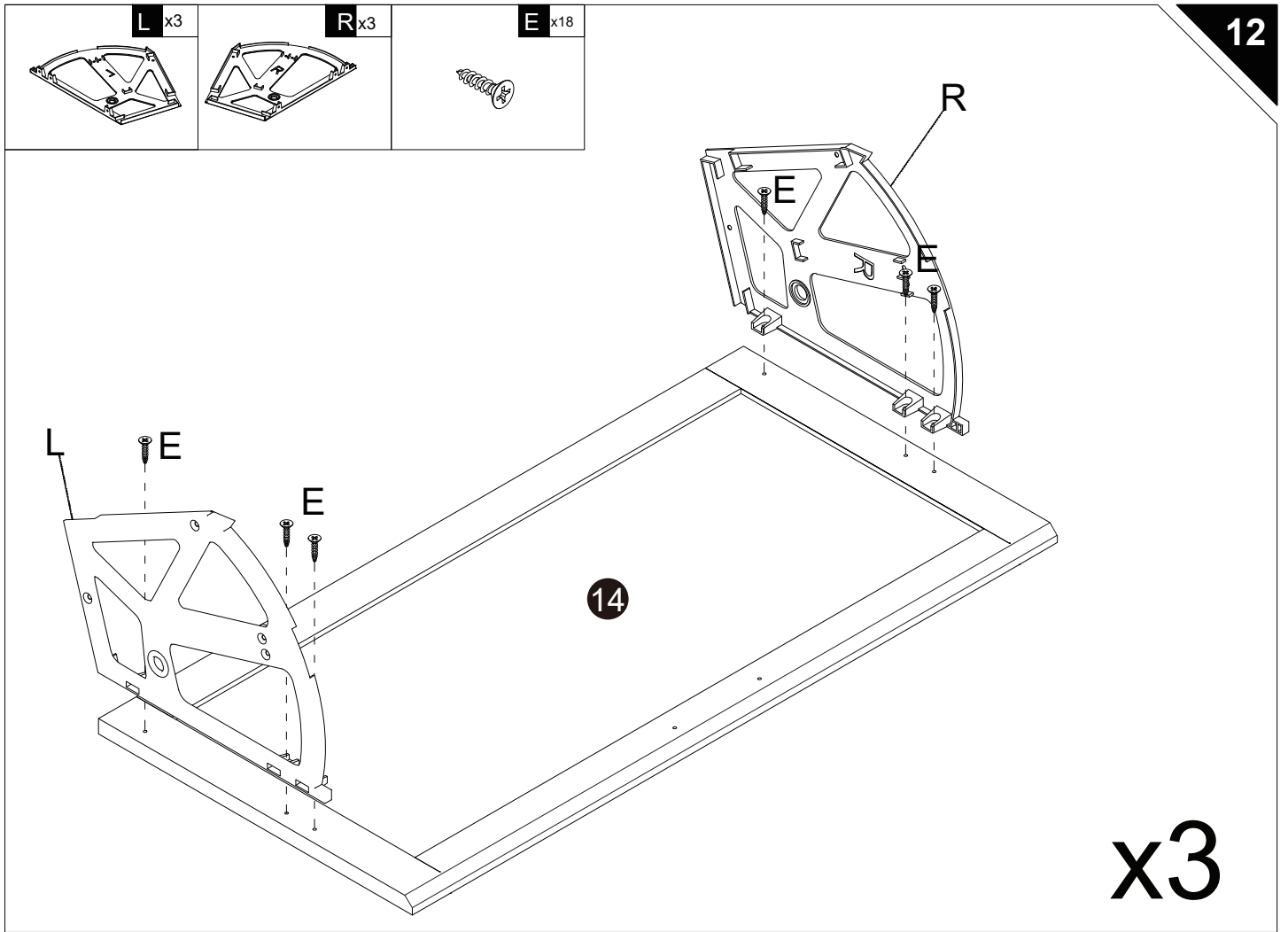
During the installation process, you need to keep your balance by hand to avoid damage.



C x9

D x12

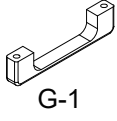




14

E x6

G x3



G-1

G-2

E

16

14

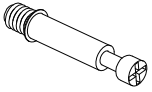
G-2

G-1

x3

A x8

15



A

A

9

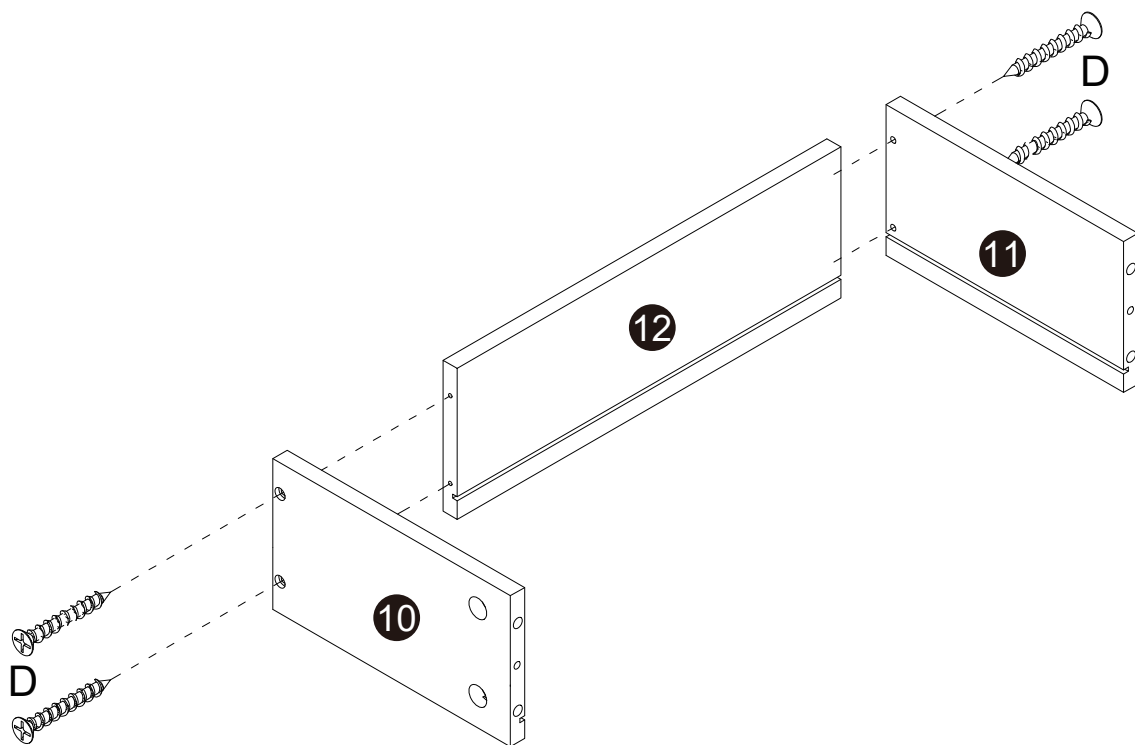
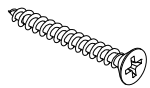
A

A

x2

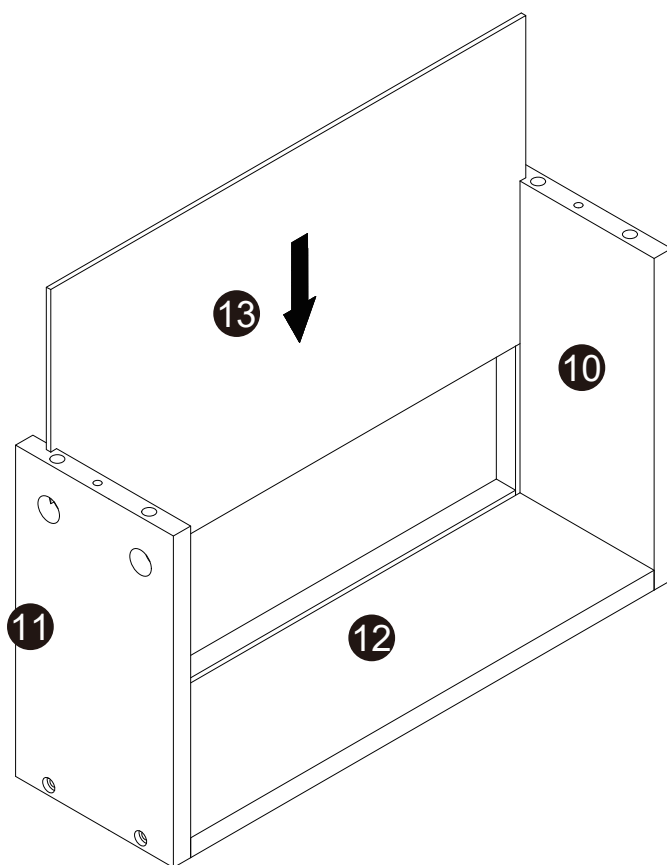
D x8

16



x2

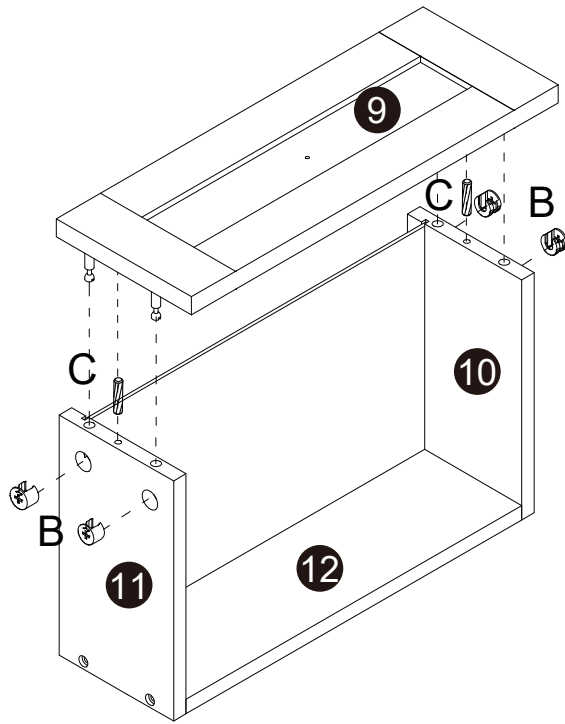
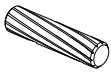
17



x2

B x8

C x4



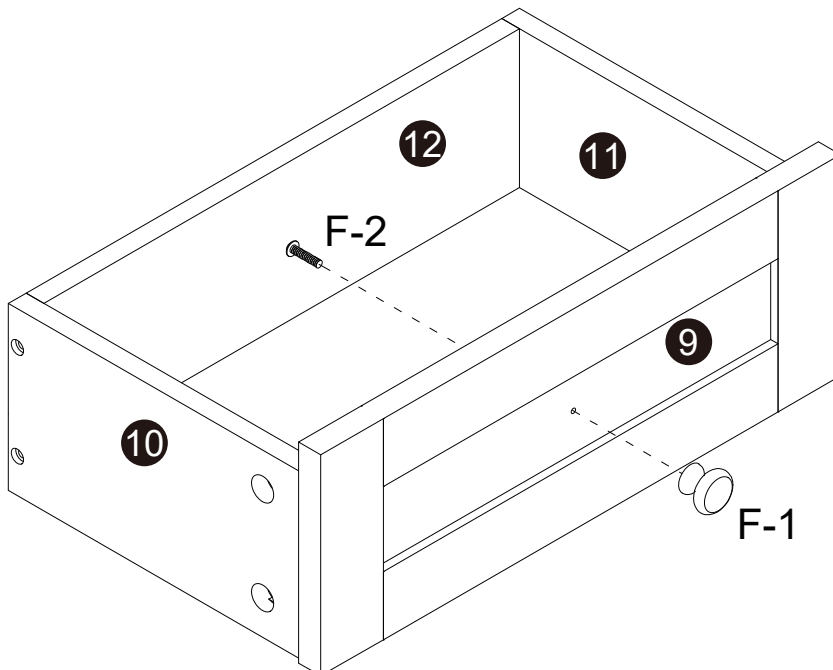
x2

F x2



F-1

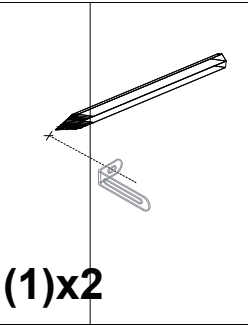
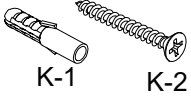
F-2



x2

K x2

M x24



(1)x2

then, use a ruler to measure the approximate height of the product on the wall, and then mark it with a pen.

WALL

+  
drilling hole  
Ø6x30mm

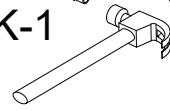


(2)x2

Then use a tape drill to make holes in the wall that are suitable for the product screws.

WALL

K-1

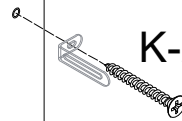


(3)x2

Then, put the expansion bolt into the hole

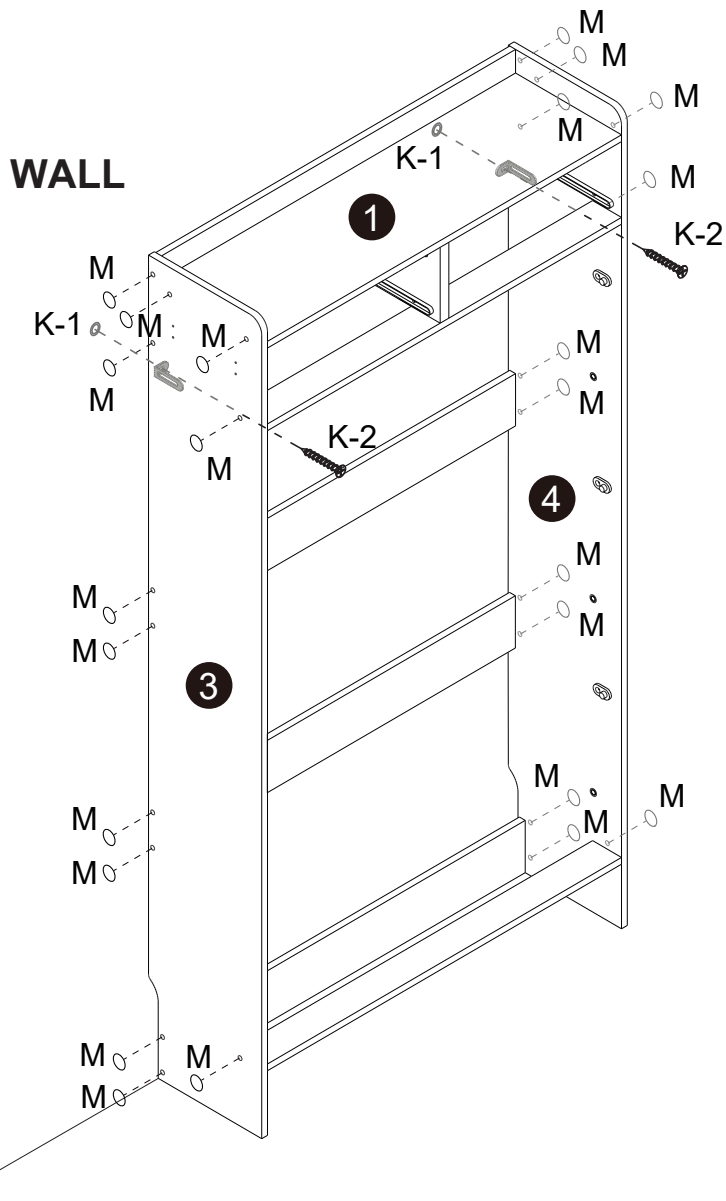
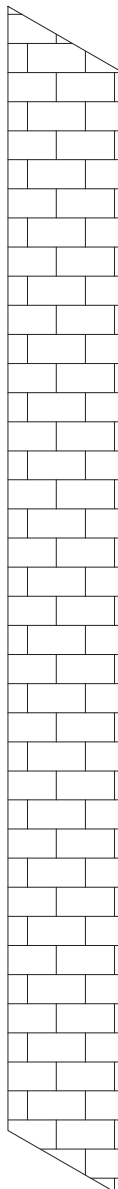
WALL

K-2



(4)x2

Finally, pass the matching screws through the "anti-rewind" and tighten them to fix them on the wall.



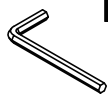


N-2



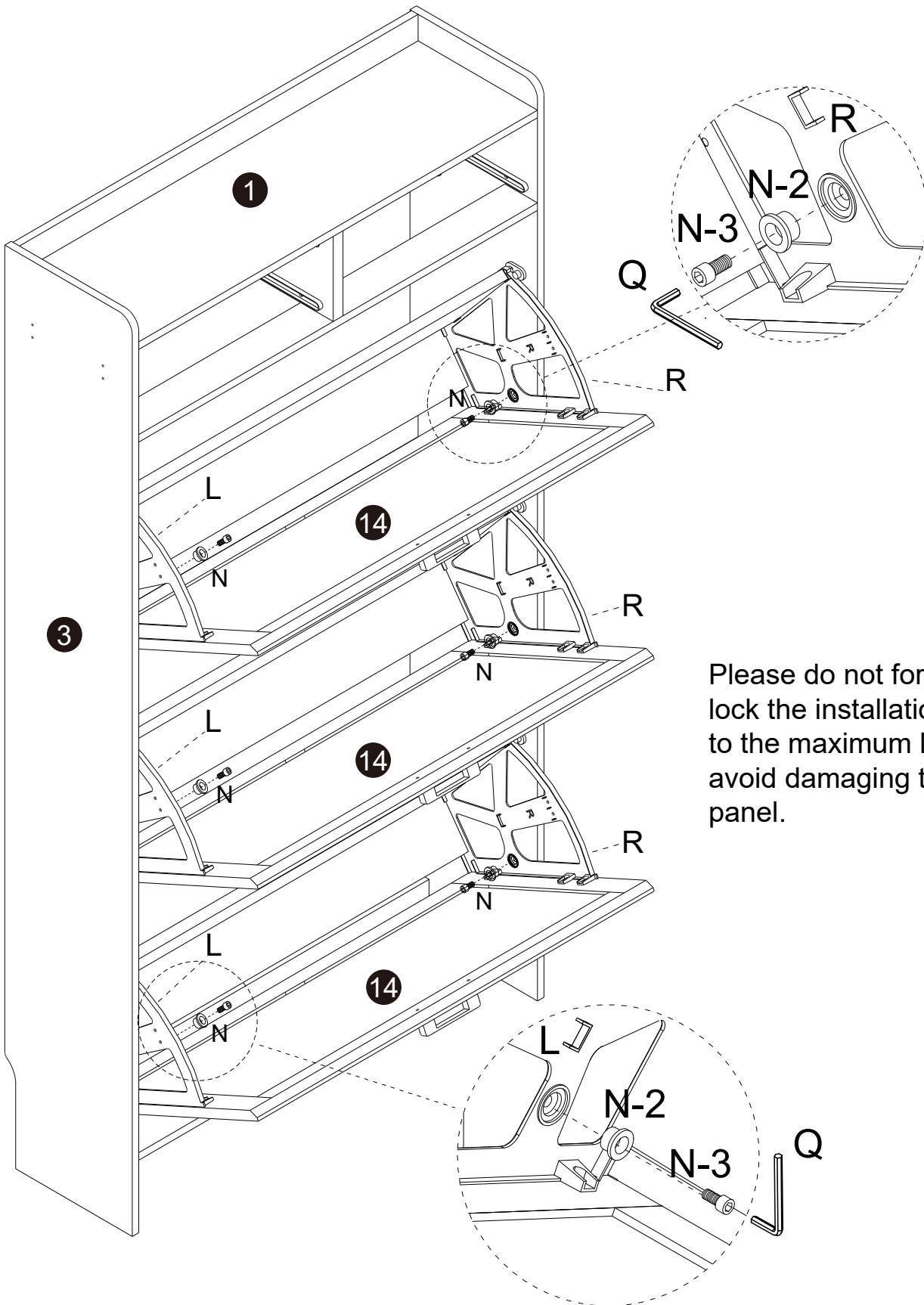
N-3

N x6

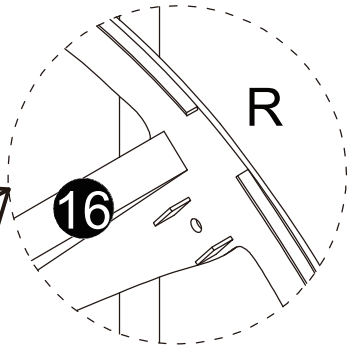
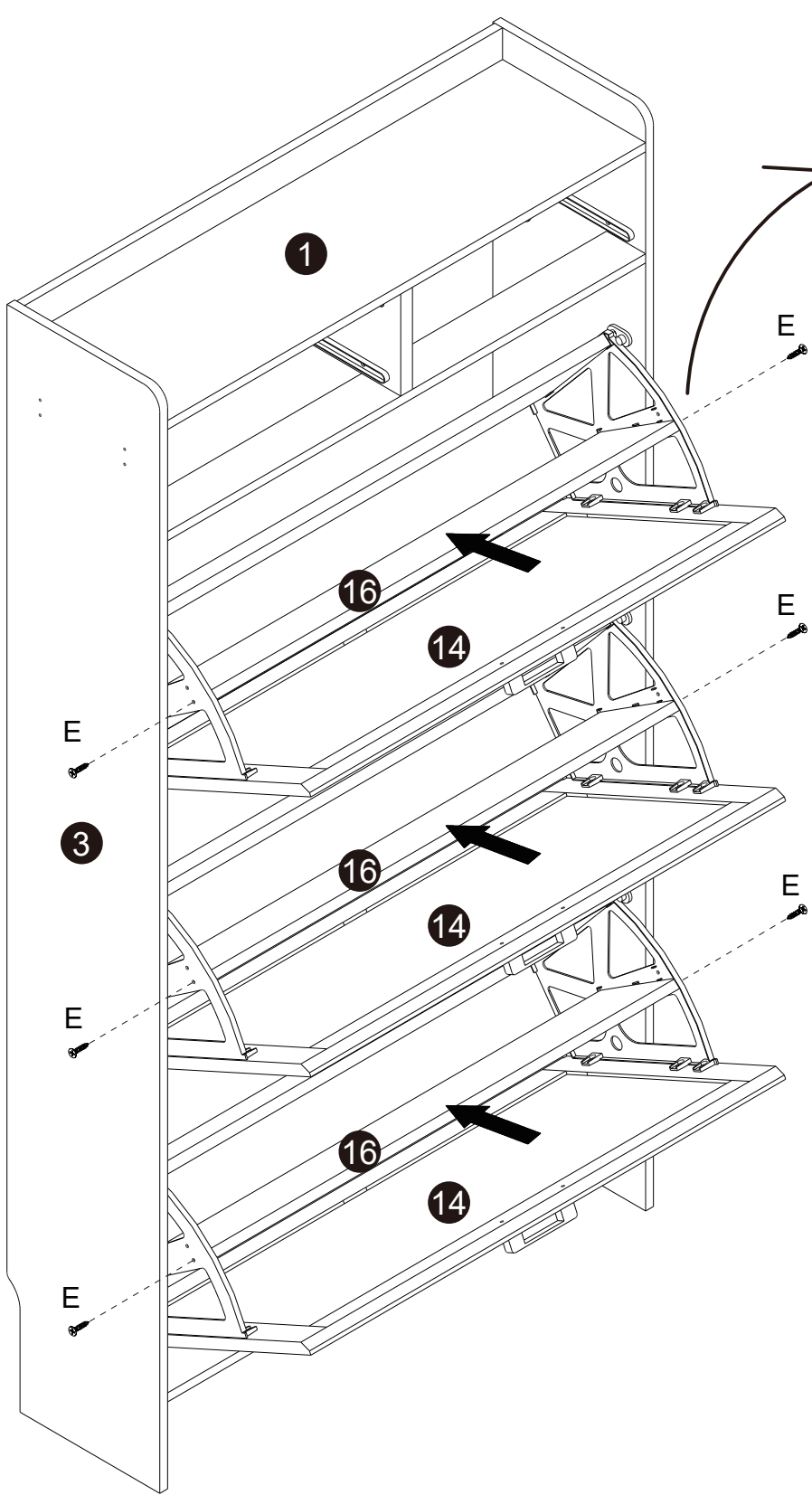


Q x1

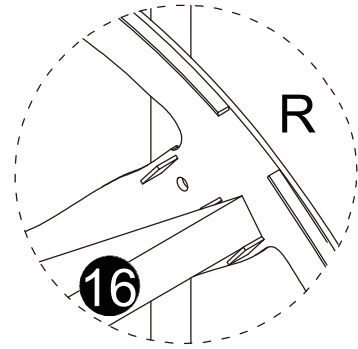
If the installation cannot be placed in the correct position, please try operating at other inclined angles.

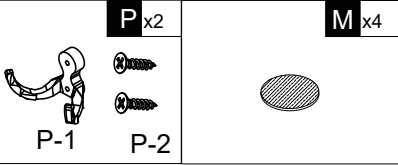


Please do not forcefully lock the installation screws to the maximum limit to avoid damaging the side panel.

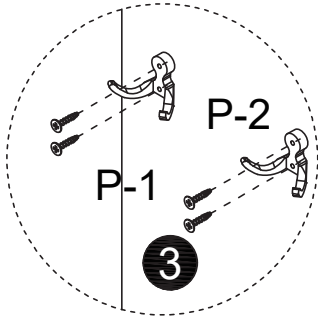


OR





The P number can be mounted to the No. 3 or No. 4 side panels



OR

