

HEADBOARD ONLY

ASSEMBLY INSTRUCTION

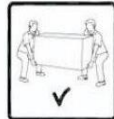


ASSEMBLY TIPS:

- 1.Remove hardware from box and sort by size.
- 2.Please check to see that all hardware and parts are present prior to start of assembly.
- 3.Please follow attached instructions in the same sequence as numbered to assure fast& easy assembly.

⚠ warning

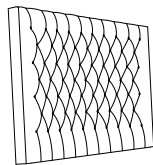
- 1.Don't attempt to repair or modify parts that are broken or defective please contact the store immediately.
- 2.This product is for home use only and not intended for commercial establishment.



ASSEMBLY TIME PER UNIT: 20 MINUTES

PARTS IDENTIFICATION

A



Headboard

1PC

B



SIDE PANEL LEFT

1PC

C



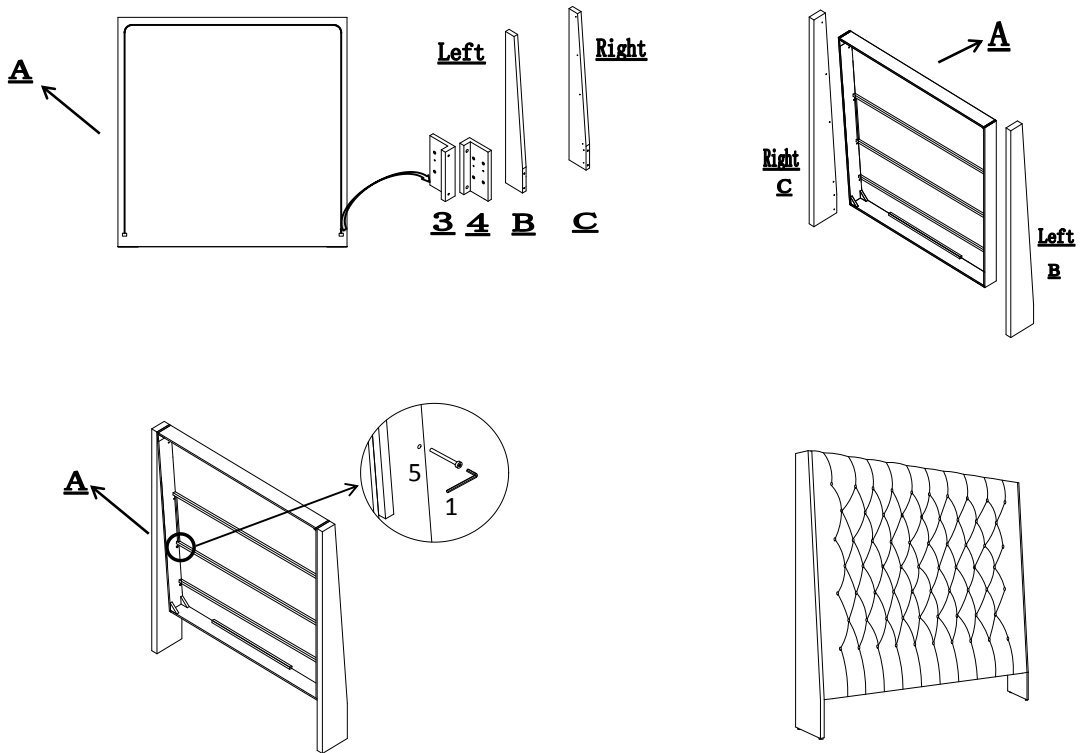
SIDE PANEL RIGHT

1PC

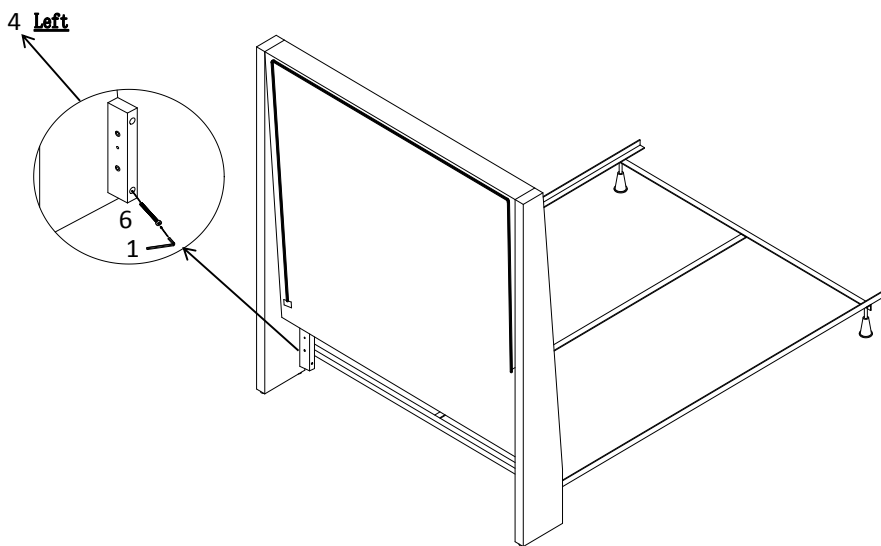
HARDWARE PACKAGE

1	Allen wrench 5*23*73mm		<u>1 PCS</u>
3	Headboard corner bracket-Right		<u>1 PCS</u>
4	Headboard corner bracket-Left		<u>1 PCS</u>
5	Short bolt 4.5cm		<u>8 PCS</u>
6	Hexagon socket screw 7cm		<u>4 PCS</u>
12	Hexagon socket screw 4cm		<u>4 PCS</u>

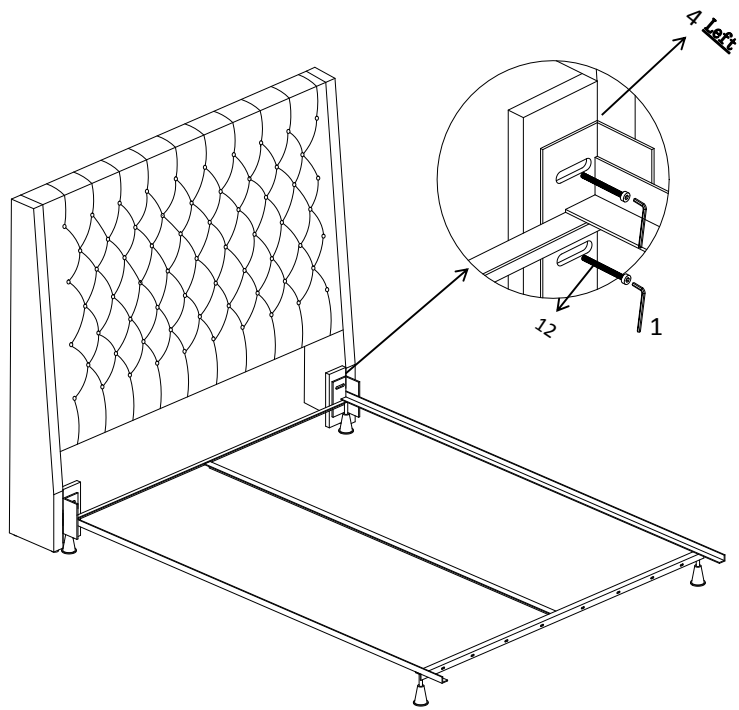
STEP 1



STEP 2



STEP 3



STEP 4

