

Specifcation & Installation Guide

Features

- Modern design with high glossy paint or silver grey melamine finishes.
- Soft-closing doors and drawers.
- Compatible ceramic basins or artificial stone basins.
- Compatible matching mirror, medicine cabinet or LED mirror, medicine cabinet.
- Full extension drawers.
- Easy installation

Package Dimension

20"	22 7/16" x 20 55/64" x 23 13/16"
24"	26 3/8" x 20 55/64"x 23 13/16"
30"	32 9/32" x 20 55/64" x 23 13/16"
36"	38 3/16" x 20 55/64" x 23 13/16"
48"S	50" x 20 55/64" x 23 13/16"
48"D	50" x 20 55/64" x 23 13/16"

Colors / Finishes

Glossy White - 01

Sliver Grey - 16

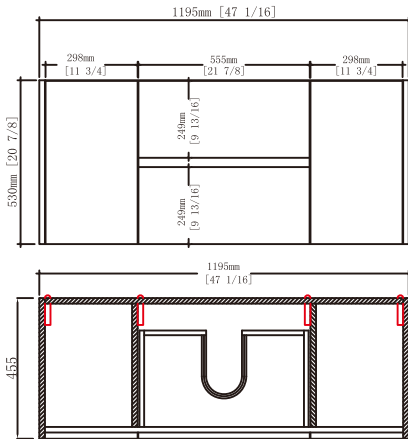
Gross Weight

20"	54 LBS
24"	62 LBS
30"	71 LBS
36"	84 LBS
48"S	95 LBS
48"D	95 LBS

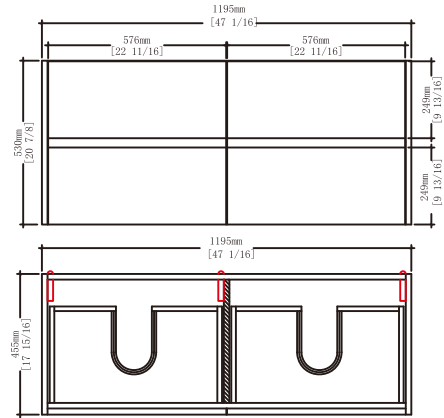
Sink Top Options

	Vanities	Ceramic basin	Artificial stone basin
20"	V8016-20	C04 2018	A10 2018 25
24"	V8016-24	C04 2418	A10 2418 25
30"	V8016-30	C04 3018	A10 3018 25
36"	V8016-36	C04 3618	A10 3618 25
48"S	V8016-48S	C04 4818S	A10 4818 25S
48"D	V8016-48D	C04 4818D	A10 4818 25D

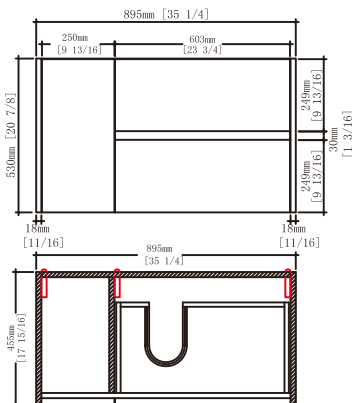
48"S 47-1/16" X 17-15/16" X 20-7/8"



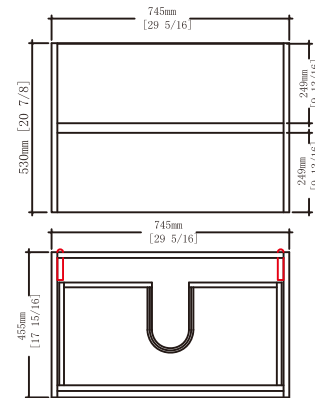
48"D 47-1/16" X 17-15/16" X 20-7/8 "



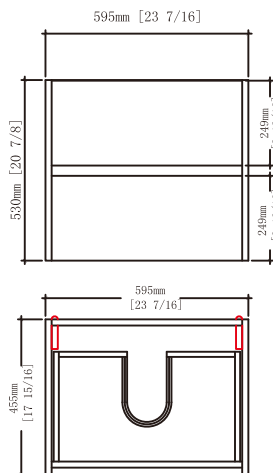
36" 35-1/4 X 17-15/16" X 20-7/8 "



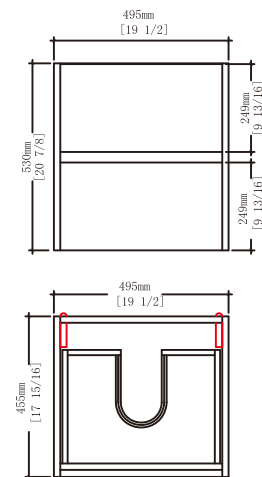
30" 29-5/16" X 17-15/16" X 20-7/8 "



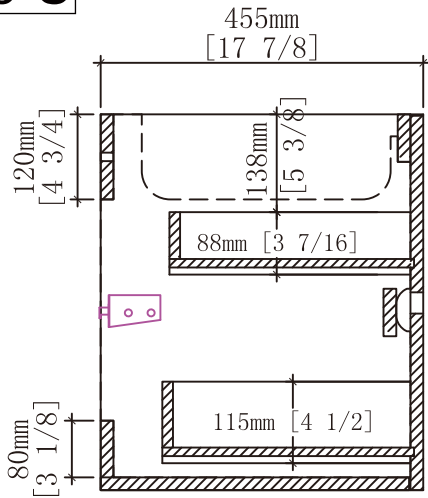
24" 23-7/16" X 17-15/16" X 20-7/8 "



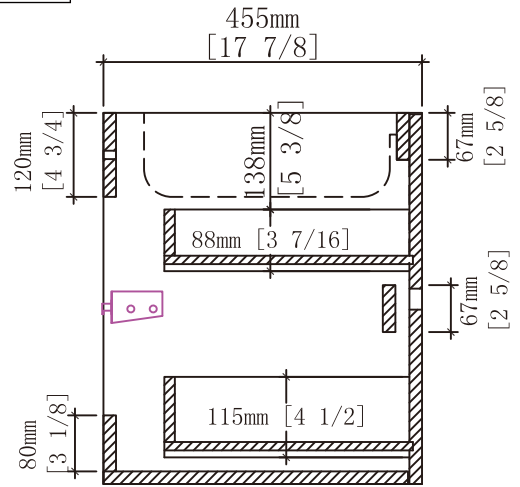
20" 19-1/2" X 17-15/16" X 20-7/8 "



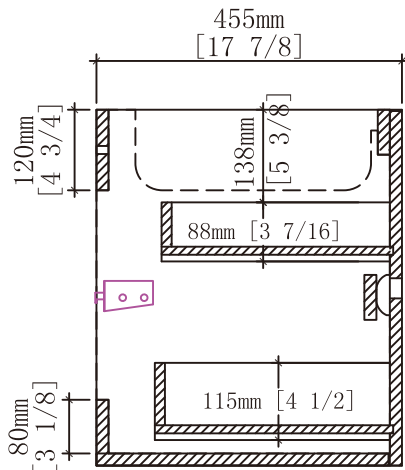
48"S 47-1/16" X 17-15/16" X 20-7/8"



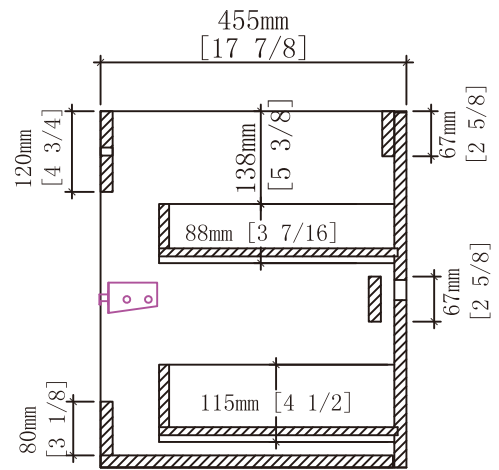
48"D 47-1/16" X 17-15/16" X 20-7/8 "



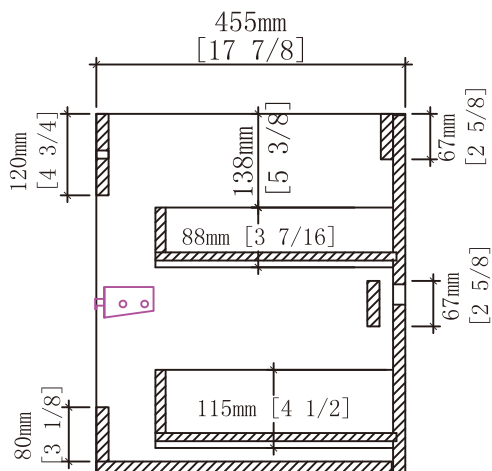
36" 35-1/4 X 17-15/16" X 20-7/8 "



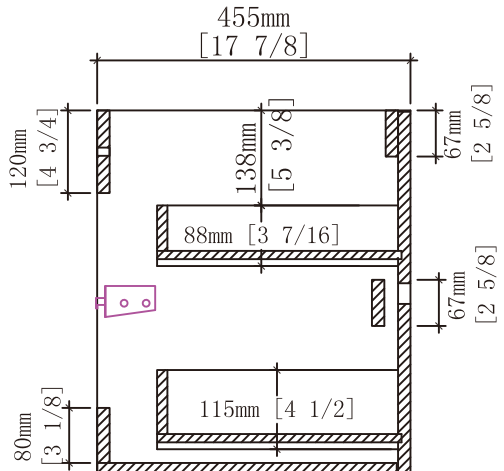
30" 29-5/16" X 17-15/16" X 20-7/8 "




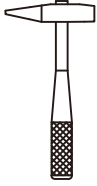


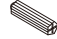




24" 23-7/16" X 17-15/16" X 20-7/8 "



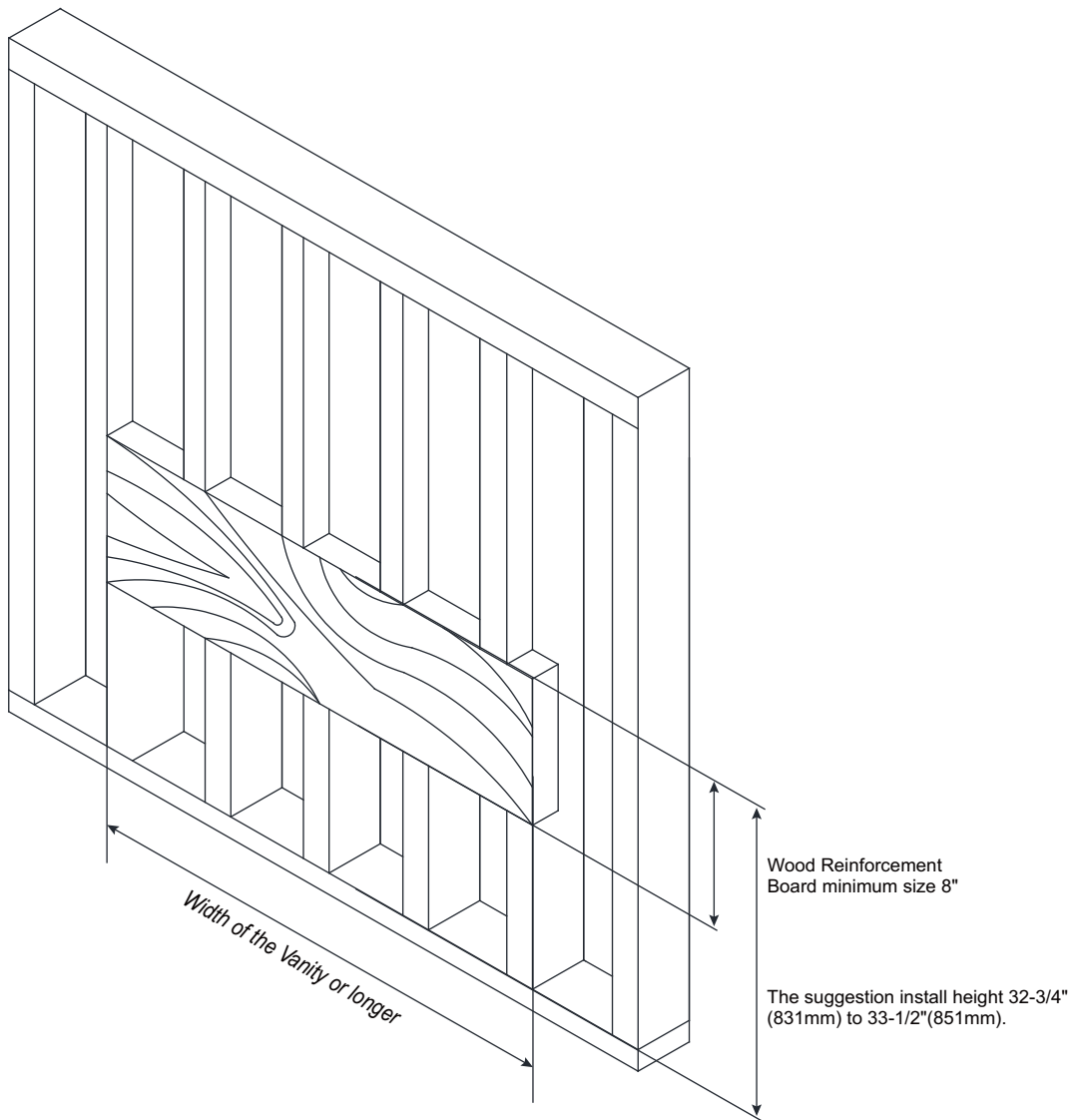
20" 19-1/2" X 17-15/16" X 20-7/8 "



Hardware				Tools (not includes)
No.		Draw	Qty	
A	White rubber plug (∅6mm)		2pcs	  
B	Screws (∅4 x 68mm)		2pcs	
C	Leveling bracket		2pcs	
D	Green rubber plug		6pcs	
E	Screw		6pcs	
F	Stainless steel cover		2pcs	

Wall Preparation

- The typical dimensions shown will result in vanity cabinet height of 32-3/4"(831mm). Depending on the sinks selected, the total height will vary from 33-1/2"(850mm) 35-1/4"(895mm). If an alternate height is desired, adjust the rough-in and backing material heights using the dimensions provided.

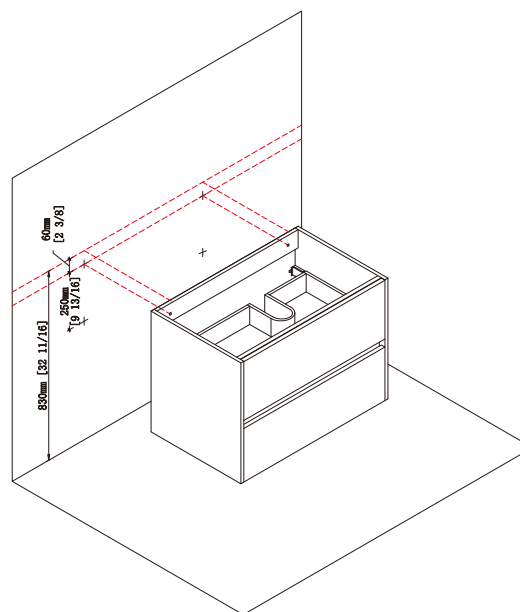


STEP 1

Draw a punched position on the wall with a pencil.

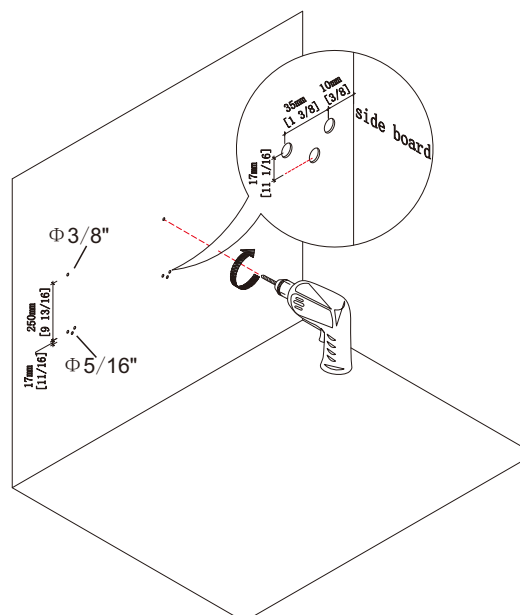
Tip:

1. The suggestion height of the cabinet is 32-11/16"(830mm)-not including the basin.
2. The suggestion height of the upper hole is 30-5/16"(770mm).
3. The suggestion distance between the upper hole to the lower hole is 9-13/16"(250mm).



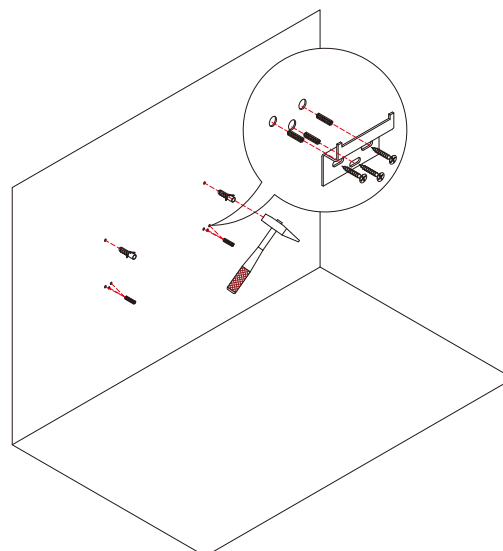
STEP 2

Drill the holes with suitable drill-bits base on different condition of the wall.



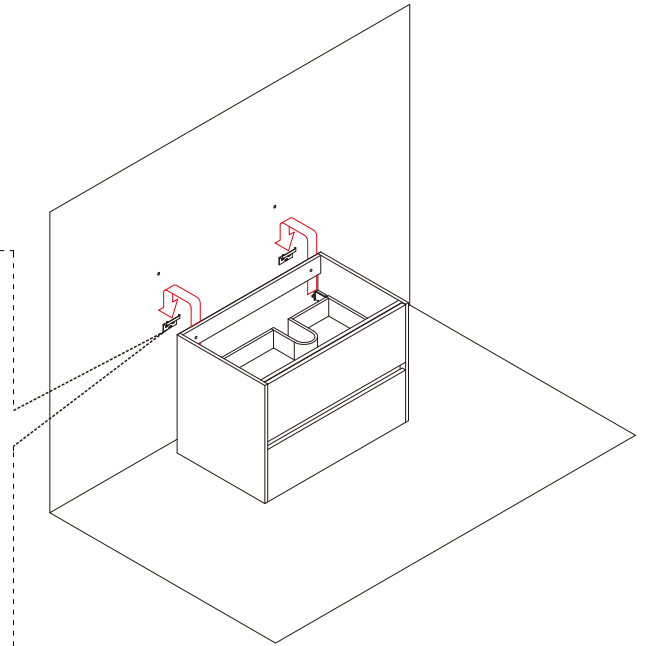
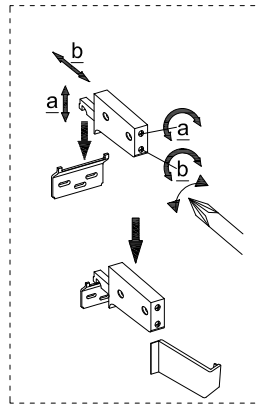
STEP 3

Use a hammer to knock the white expansion rubber plug into the upper hole, and knock the green rubber plug into the three lower hole, align the hole in the wall and lock the leveling bracket to the wall with screws.



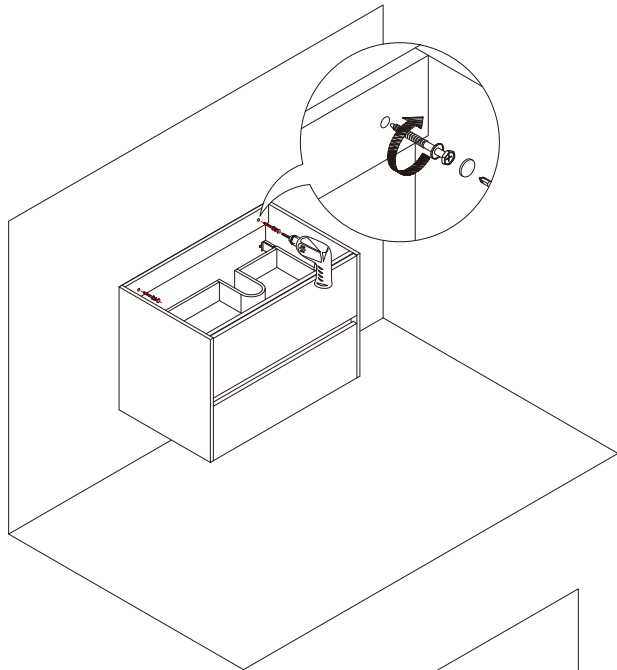
STEP 4

Hang the accessories behind the cabinet on the leveling bracket. (As the picture shows).



STEP 5

Secure the vanity onto the wall with screws.



STEP 6

Install sink top with silicone and finish.

