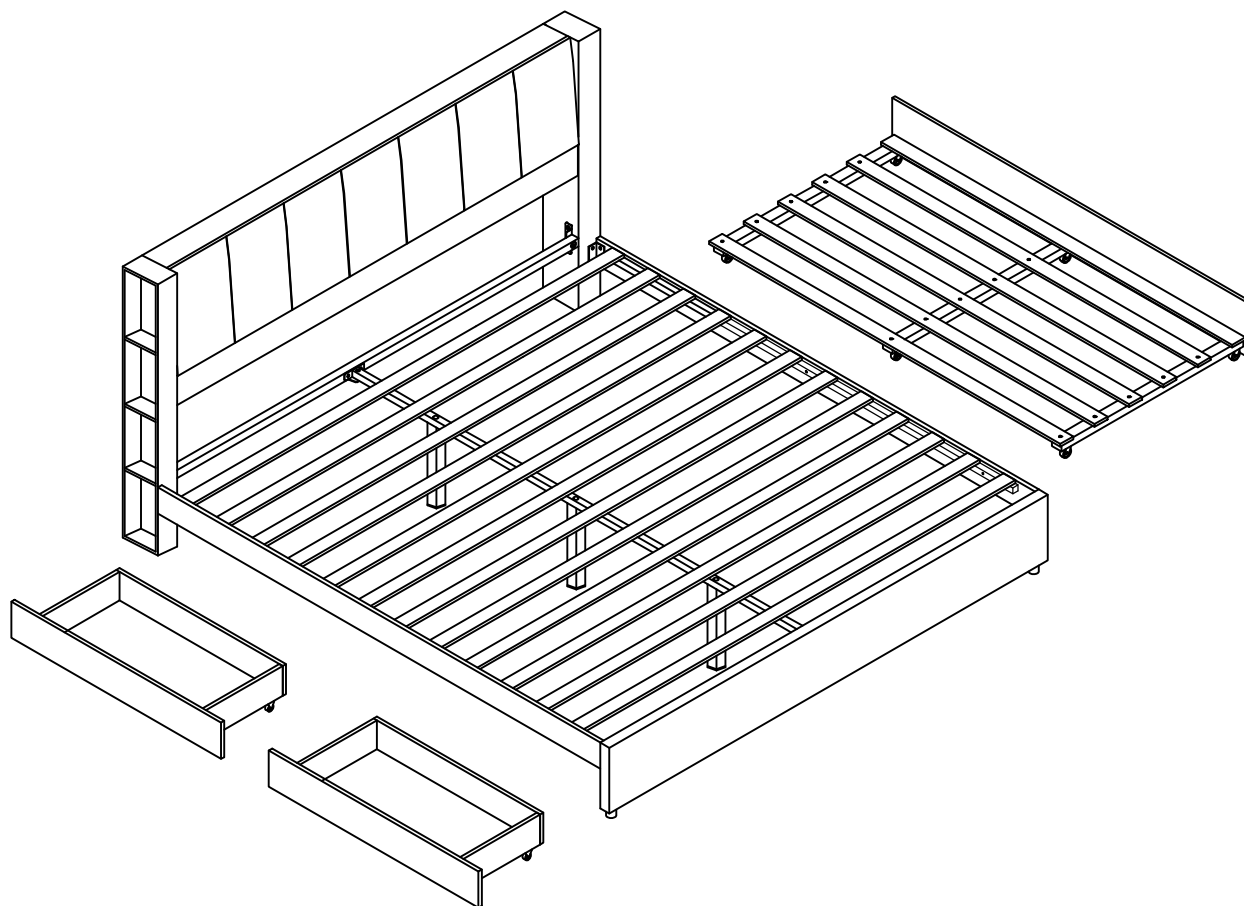


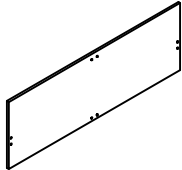
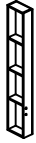

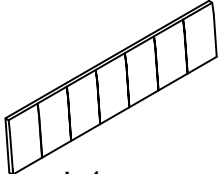

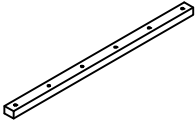
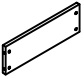
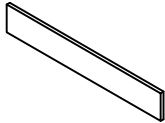
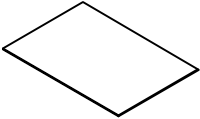
ASSEMBLY INSTRUCTION



WF530151 / WF530152

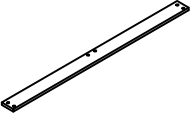
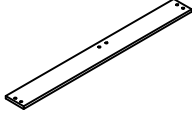
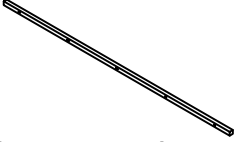
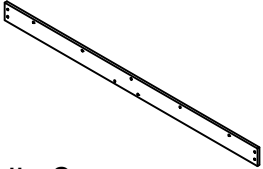
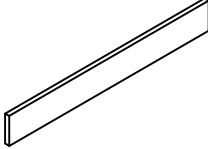
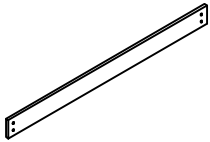

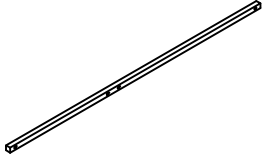
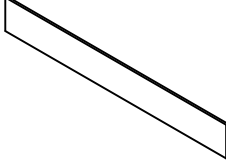
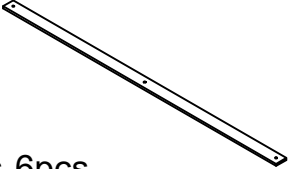
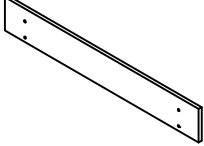
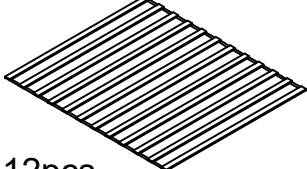
Part List

Hardware List+WF530151

1  Back board-1pc	2L  Side board-1pc	2R  Side board-1pc
5  Front board-1pc	11  Middle support leg -3pcs	14  Bottom bar-3pcs
16  Drawer board-4pcs	17  Drawer board-2pcs	18  Drawer bottom board-2pcs



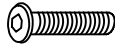
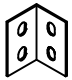



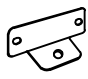


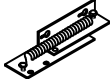





Part List

WF530152

3  Top board-1pc	4  Bottom board-1pc	6  Side rails support bar-2pcs
7  Siderails-2pcs	8  Foot board-1pc	9  Cross board-1pc
10  Center support bar-1pc	12  Head board cross bar -1pc	13  Bottom bed board-1pc
15  Slats-6pcs	19  Drawer outer board-2pcs	20  Slats-12pcs



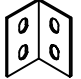
Hardware List

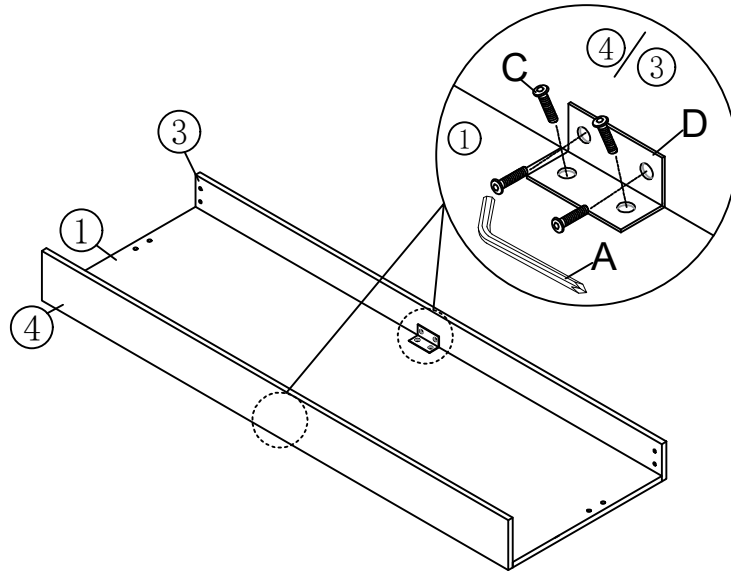
WF530151

A  Allen Key(1pc)	B  M8*40mm Bolts(35pcs)	C  M8*16mm Bolts(80pcs)
D  77*33**33*3mm "7" Connector(18pcs)	E  Stopper(2pcs)	F  85*40**35*2mm "7" Connector(3pcs)
G  H:40mm Legs(2pcs)	H  86*32*28*2mm Center support bar fittings(4pcs)	I  M6*15mm Bolts(8pcs)
J  M4*25mm Nails(24pcs)	K  Scharnie(2pcs)	L  Drawer fittings(16pcs)
M  Drawer fittings(16pcs)	N  Wheel(6pcs)	O  M3*20mm Nails(16pcs)
P  Wheel(8pcs)		



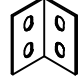
Remark: We recommend you assemble your bed in the flat ground.

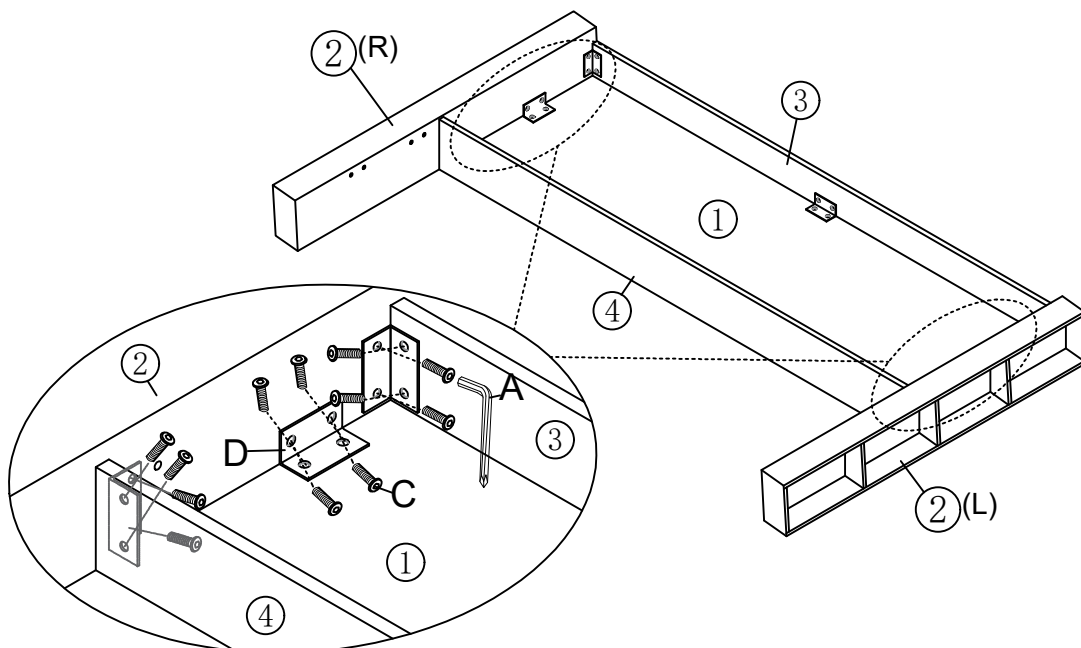
Step 1

A	C	D
	 M8X16mm	
	8PCS	2PCS


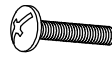
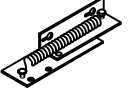


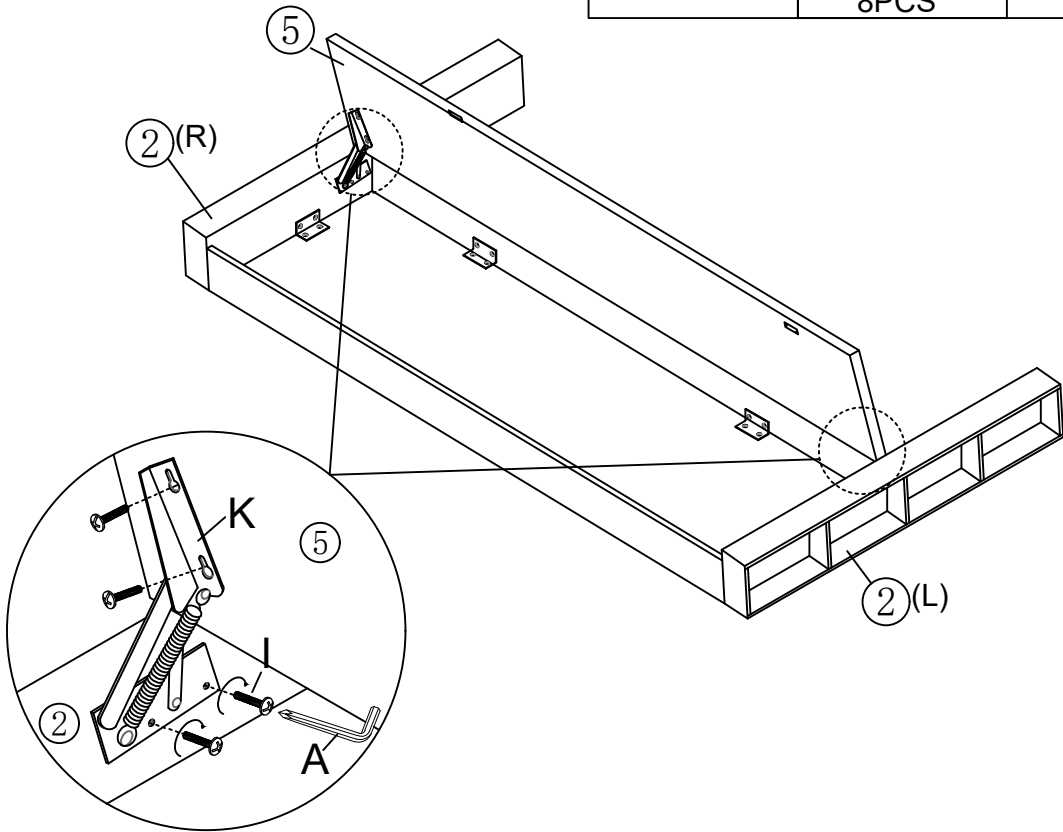
Step 2

A	C	D
	 M8X16mm	
	24PCS	6PCS


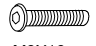
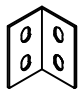


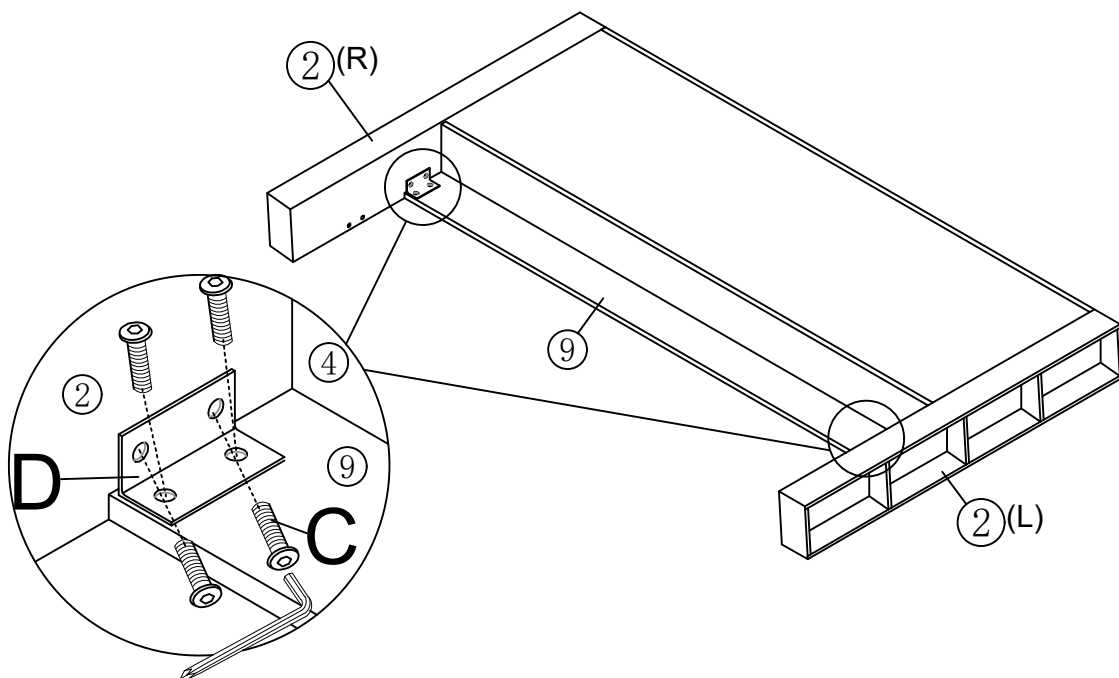
Step 3

<p>A</p> 	<p>I</p>  <p>M6*15mm</p> <p>8PCS</p>	<p>K</p>  <p>2PCS</p>
---	---	--


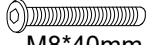


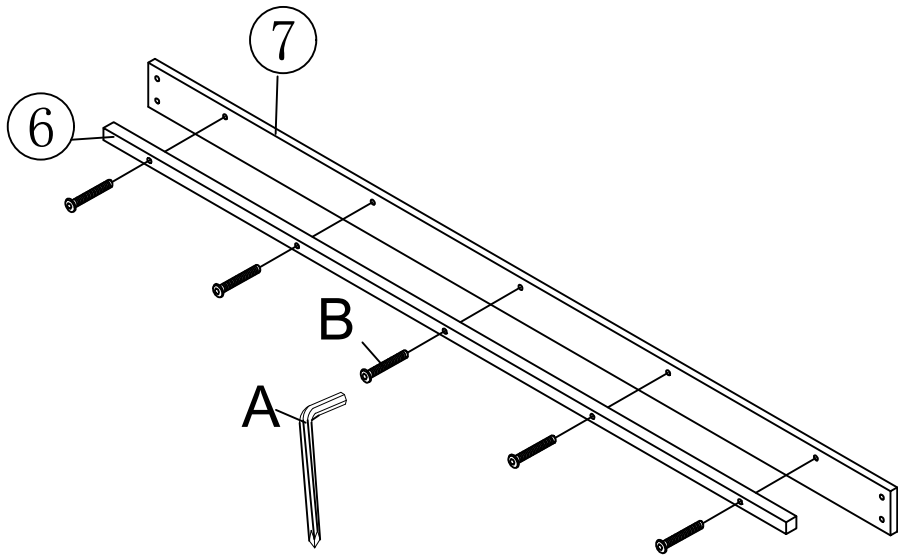
Step 4

<p>A</p> 	<p>C</p>  <p>M8X16mm</p> <p>8PCS</p>	<p>D</p>  <p>2PCS</p>
---	---	--




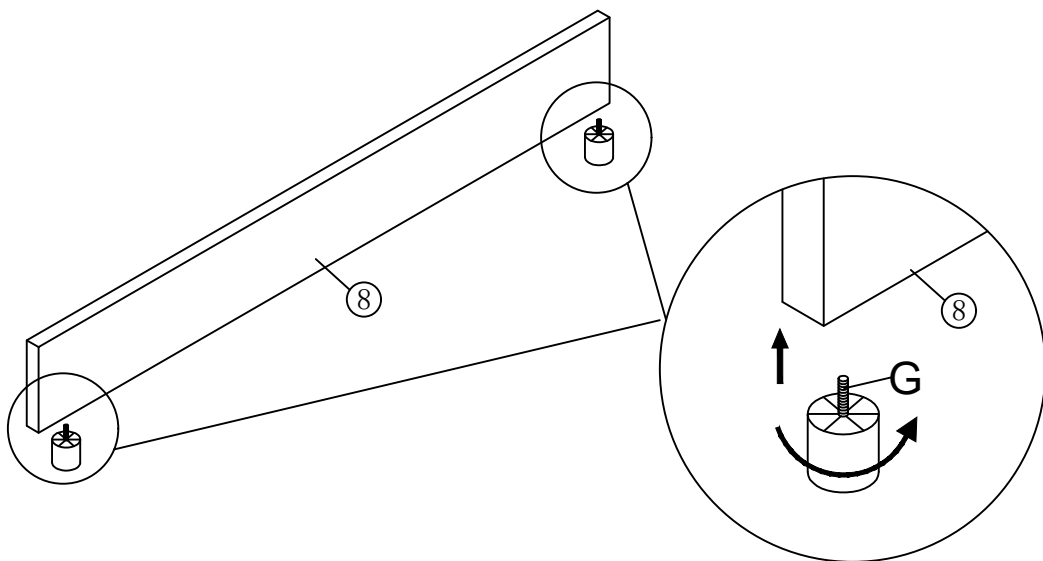
Step 5X2

A	
B	 M8*40mm
	10PCS


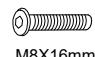
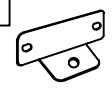


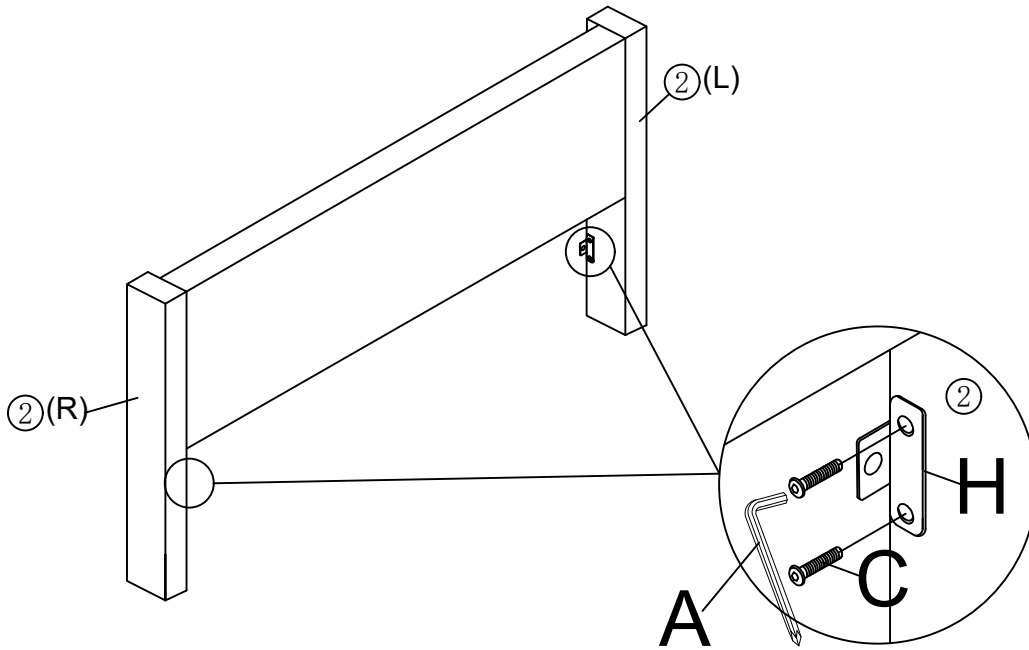
Step 6

G	
	2PCS


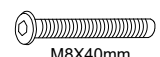


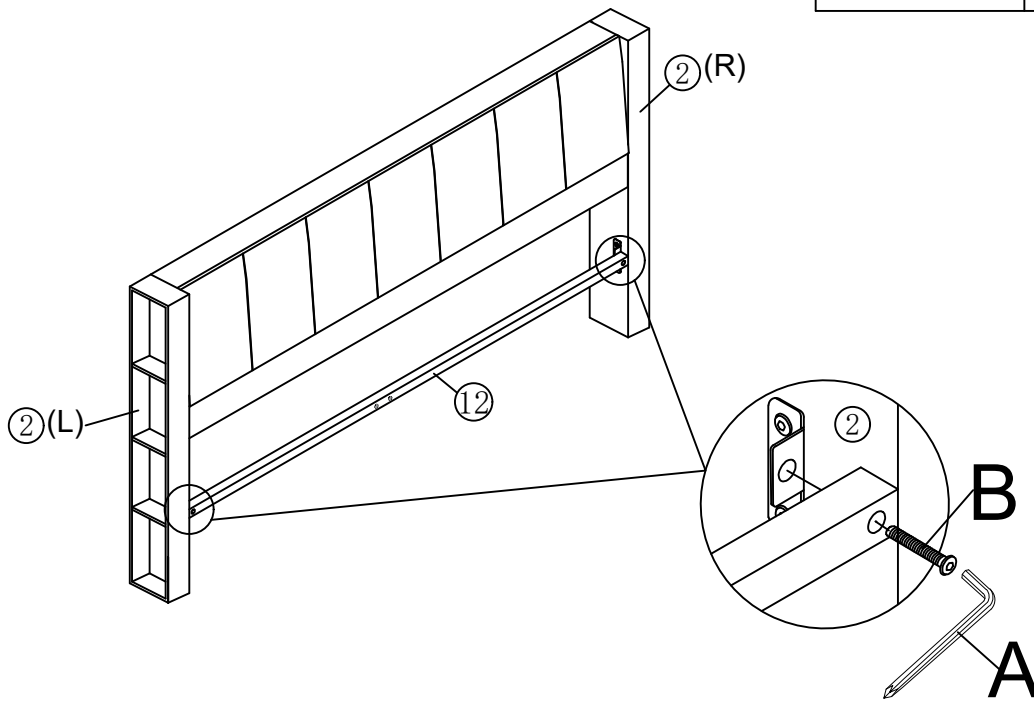
Step 7

A	C	H
	 M8X16mm	
	4PCS	2PCS


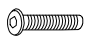
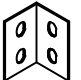


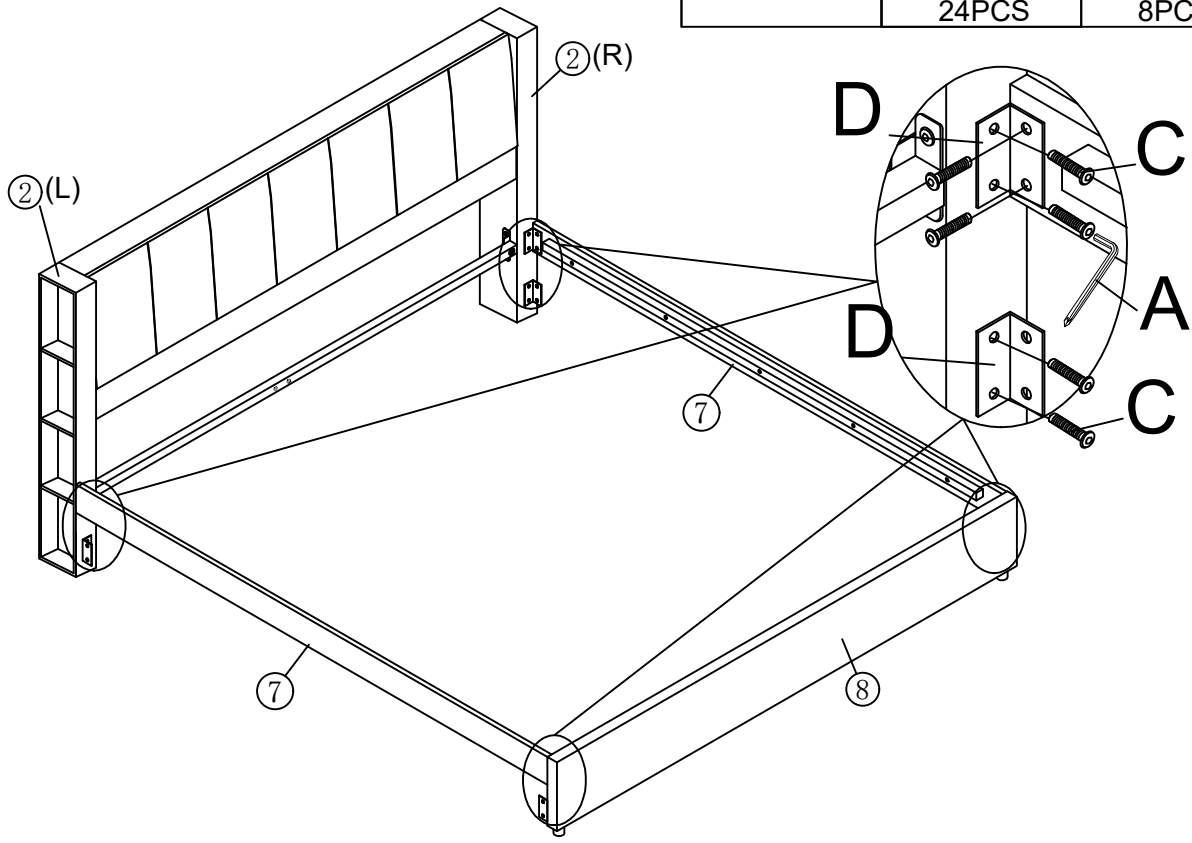
Step 8

A	B
	 M8X40mm
	2PCS



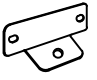


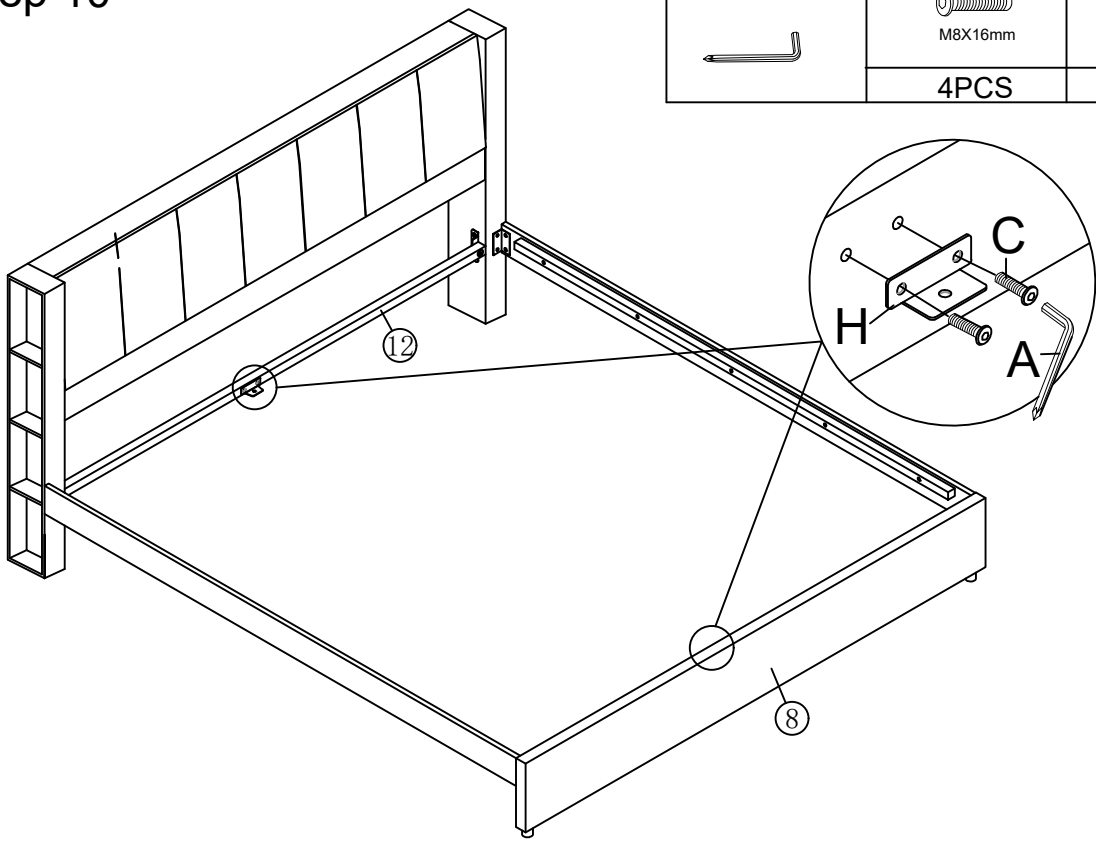
Step 9

<p>A</p> 	<p>C</p> <p>M8X16mm</p> 	<p>D</p> 
	<p>24PCS</p>	<p>8PCS</p>


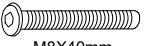


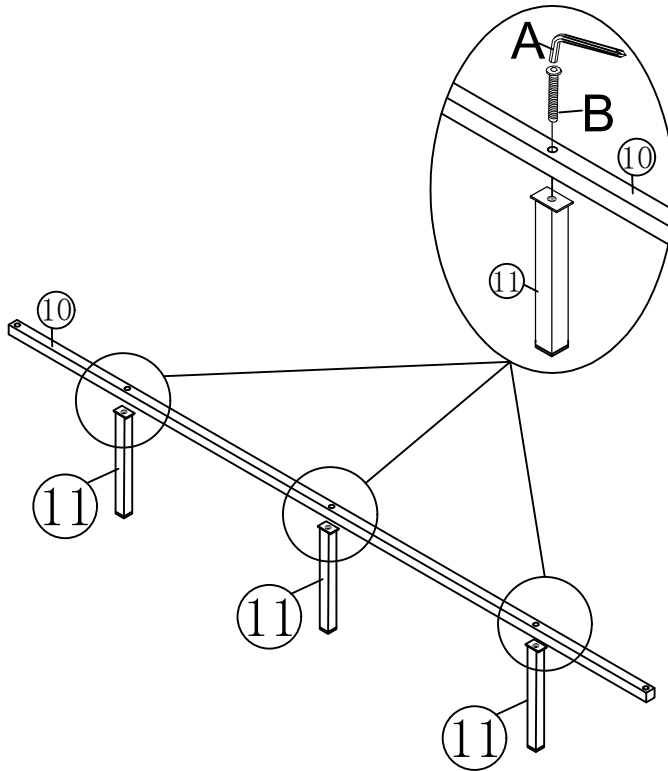
Step 10

<p>A</p> 	<p>C</p> <p>M8X16mm</p> 	<p>H</p> 
	<p>4PCS</p>	<p>2PCS</p>


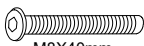


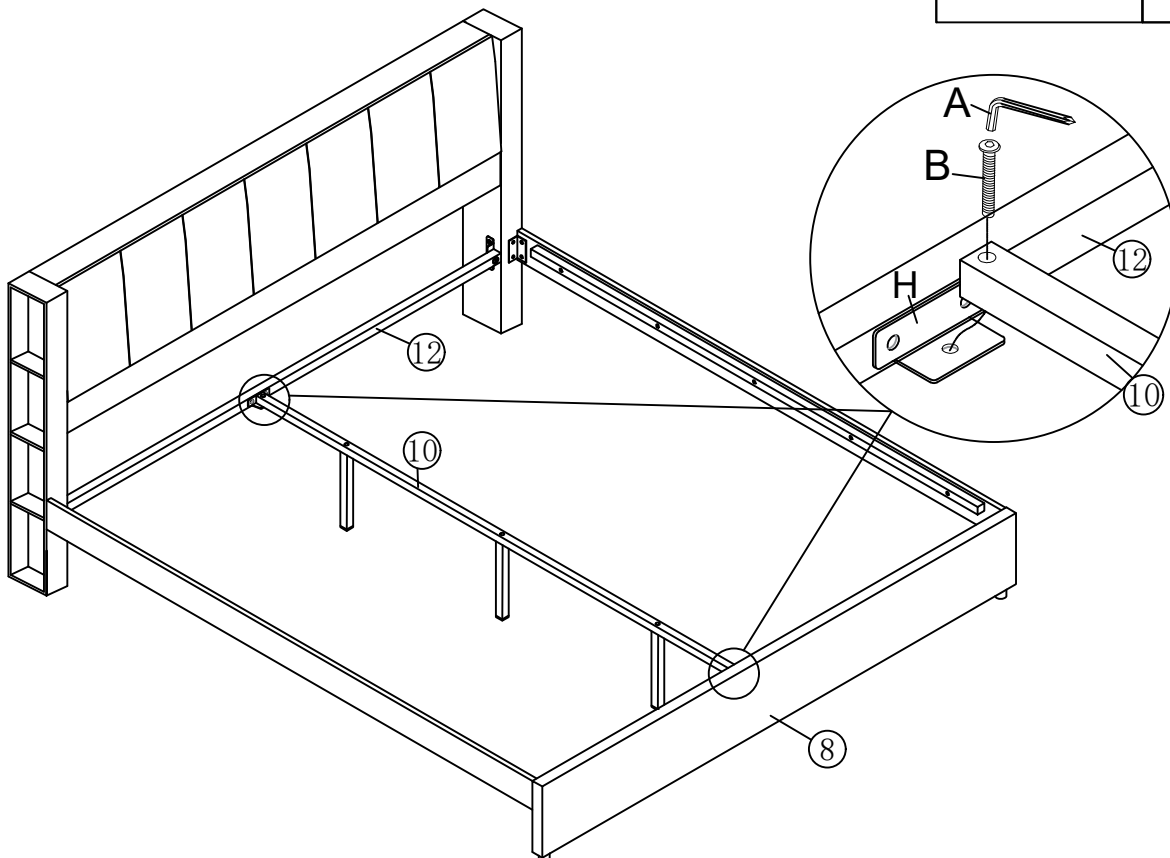
Step 11

A	B
	 M8X40mm
3PCS	


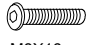
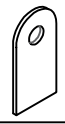


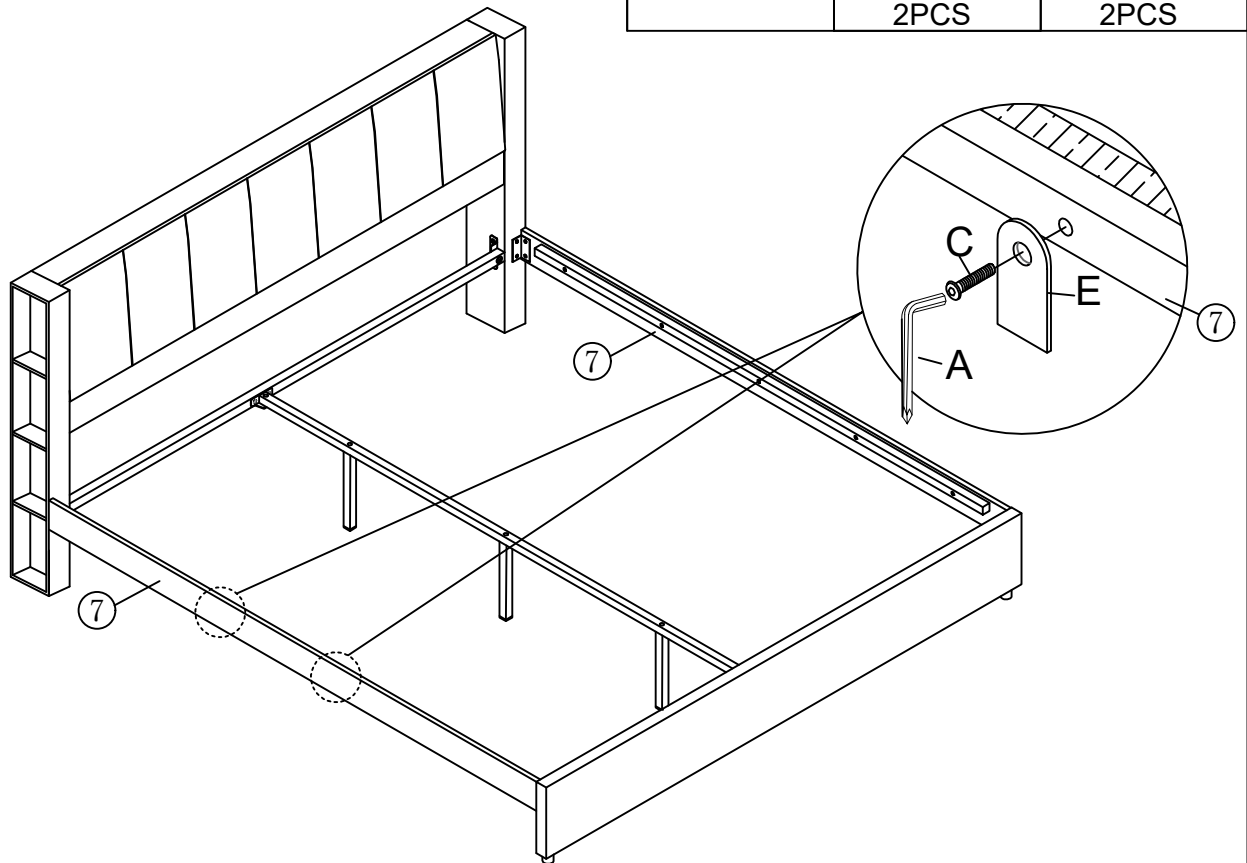
Step 12

A	B
	 M8X40mm
2PCS	






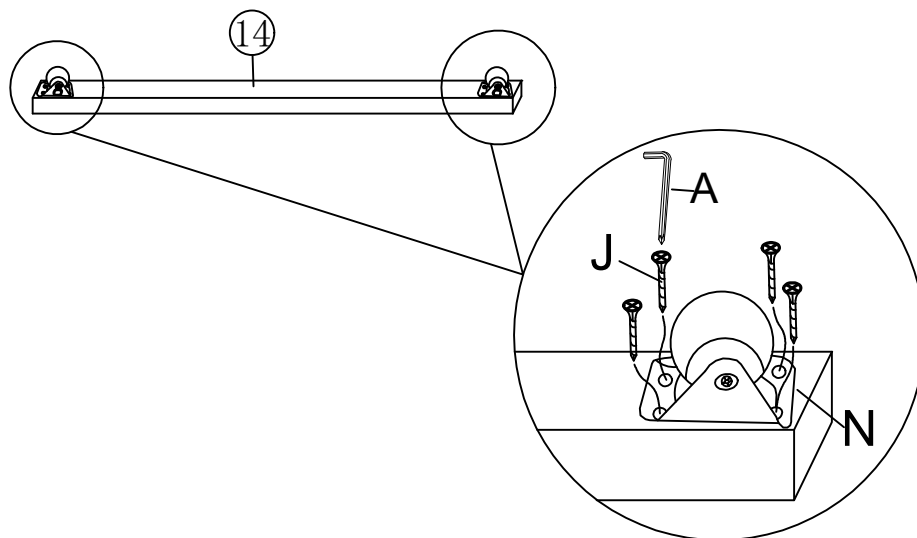
Step 13

A	C	E
	 M8X16mm	
	2PCS	2PCS






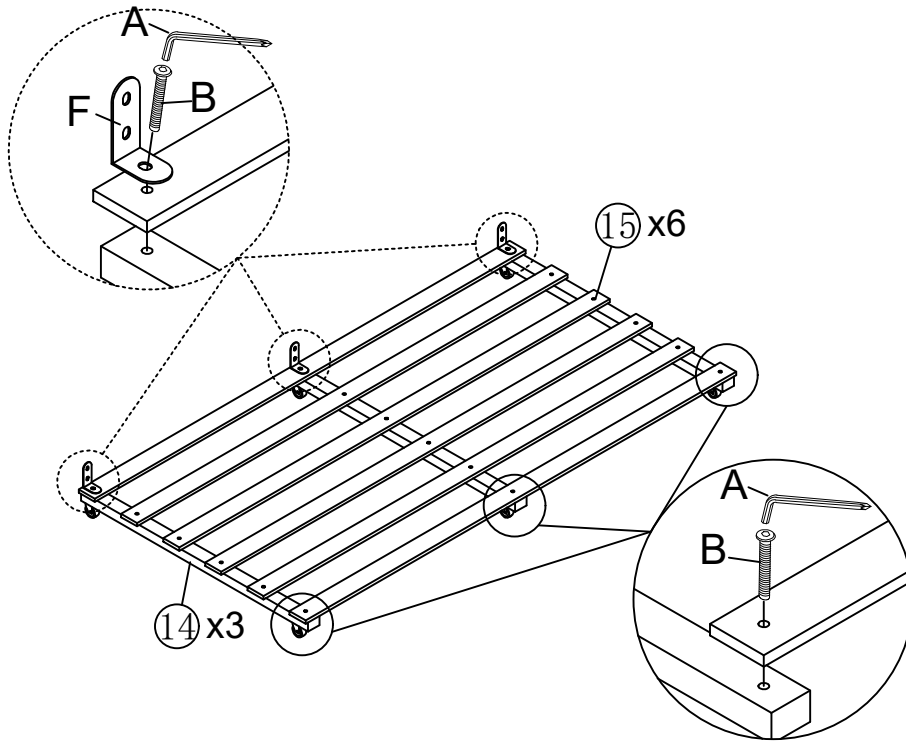
Step 14x3

A	J	N
	 M4X25mm	
	24PCS	6PCS





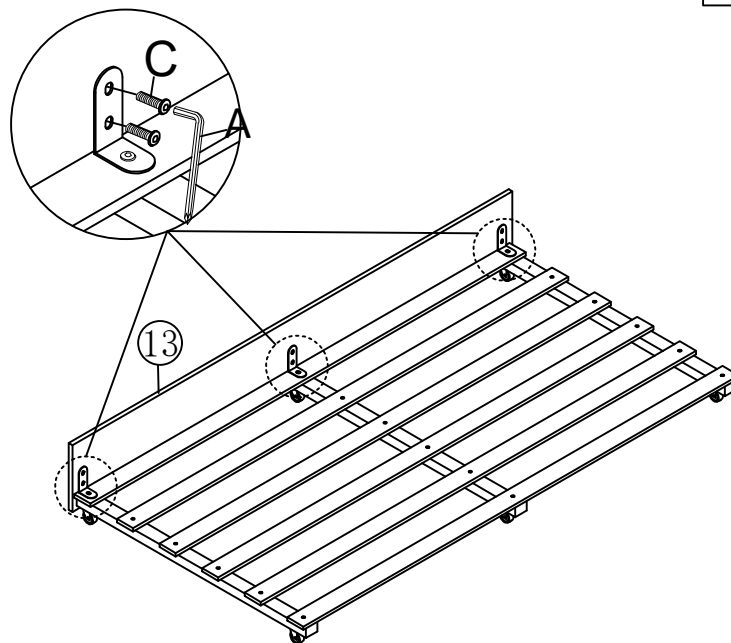
Step 15

A	B	F
	 M8X40mm	
	18PCS	3PCS







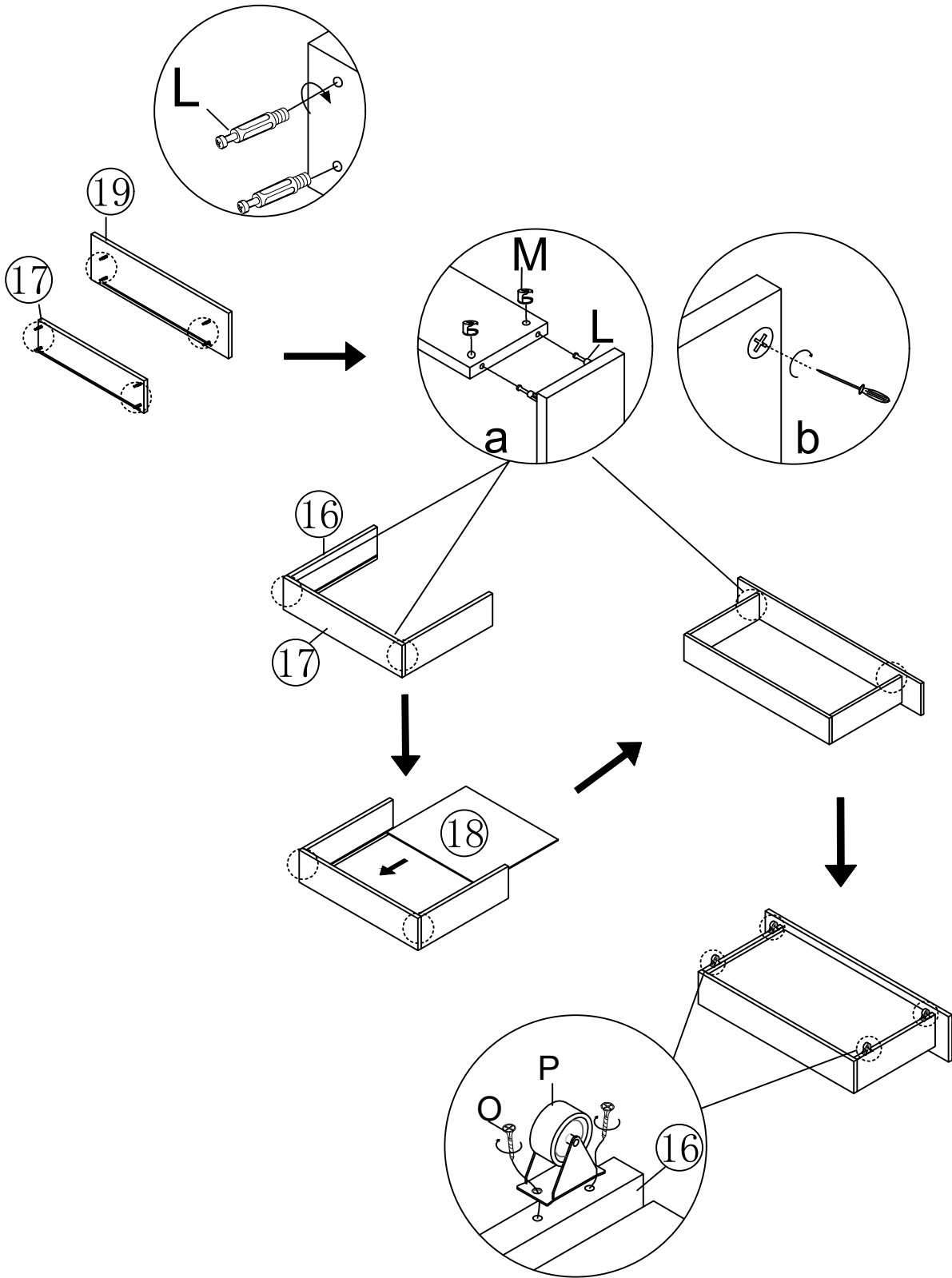
Step 16

A	C
	 M8*16mm
	6PCS



Step 17X2

L	M	O	P
		 M3X20mm	
16PCS	16PCS	16PCS	8PCS



Step 18

