



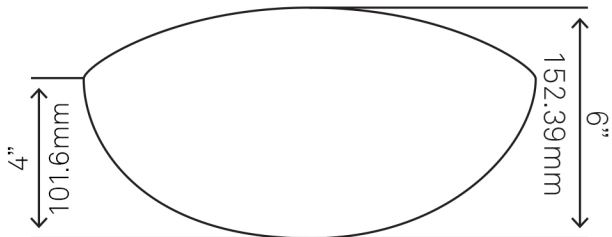
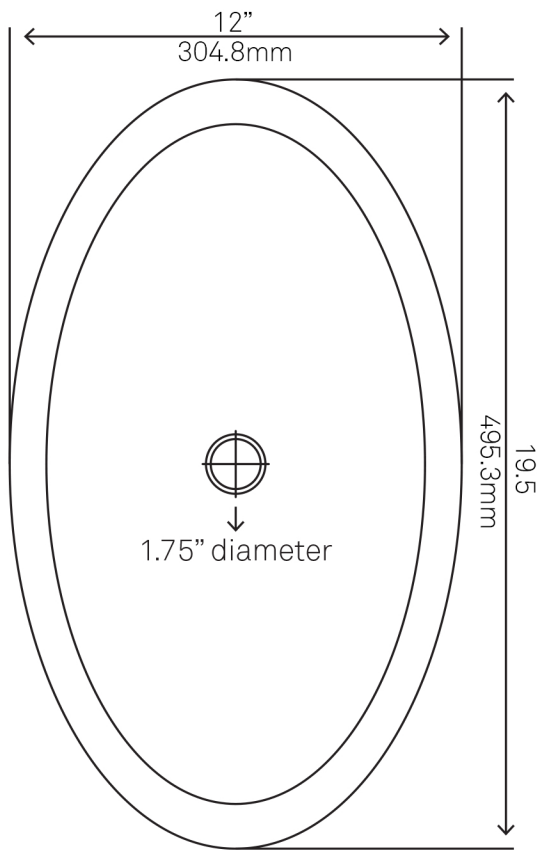
NOVATTO

NOSV-CWS

Careerra Marble Slipper Vessel, Oval Sink

Requested By: _____

Specific Features: _____



Novatto reserves the right (1) to make changes in specifications and materials, and (2) to change or discontinue models, both without notice or obligation. Dimensions are for reference only, see www.novattolinc.com for finish options and product availability.

STANDARD SPECIFICATIONS:

- Oval marble vessel sink
- Natural marble stone
- Artisan hand crafted
- Above counter installation
- No mounting ring required
- Height: 6/4-inches
- Standard U.S. plumbing connections
- Item weight: 27lbs
- Consistent in color

WARRANTY:

Limited lifetime warranty

- See www.NovattoInc.com for details

COORDINATING ACCESSORIES:

- UPD-BN/CH/ORB Umbrella drain
- Glacier Ice Restoration and Sealer kit

NOTES

Novatto Inc
TOLL FREE 844.404.4242
www.NovattoInc.com