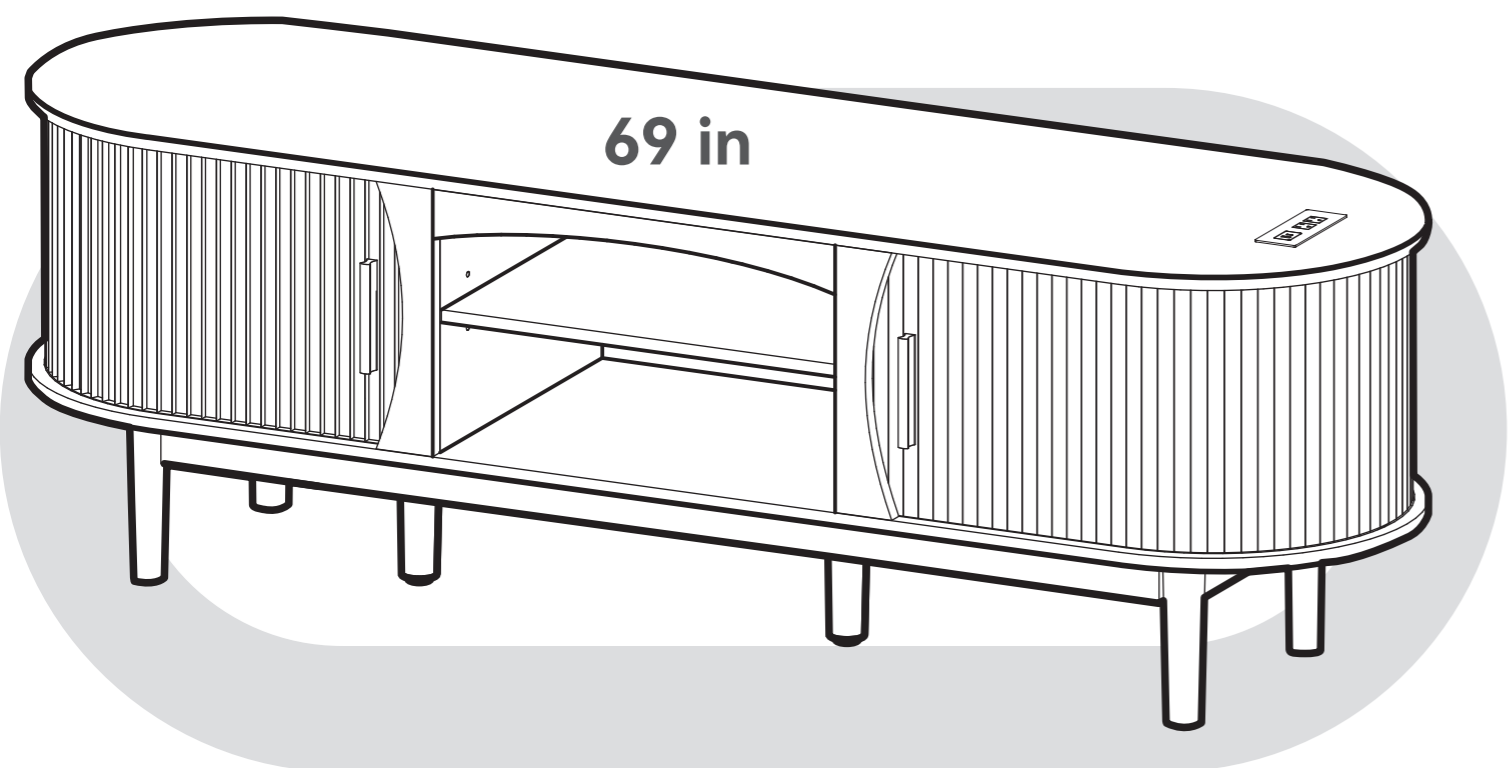


TV STAND

ASSEMBLY INSTRUCTIONS



We recommend at least 2 people for the assembly.

This block contains two illustrations. On the left, a single person icon is shown next to a crossed-out assembly diagram, indicating that one person is not recommended. On the right, two person icons are shown working together on the assembly, indicating that two people are recommended.

To prevent any damage during assembly, place a mat under the pieces.

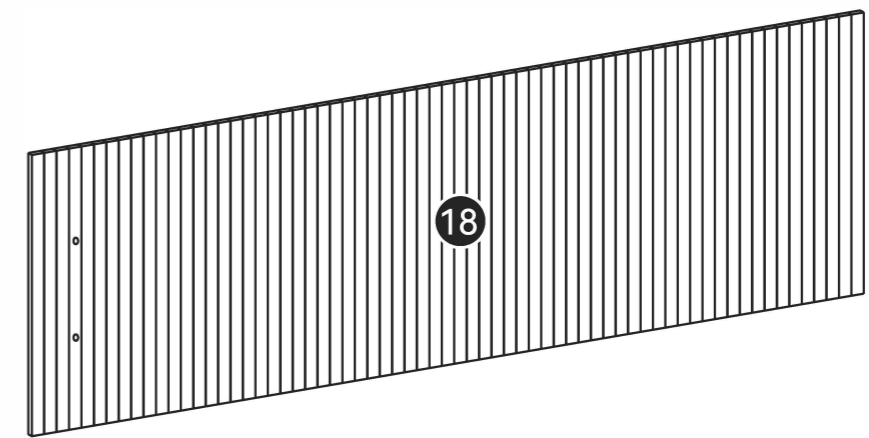
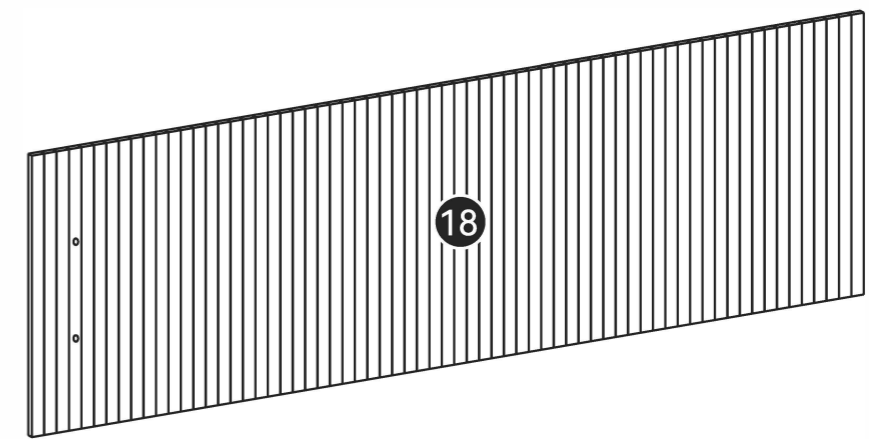
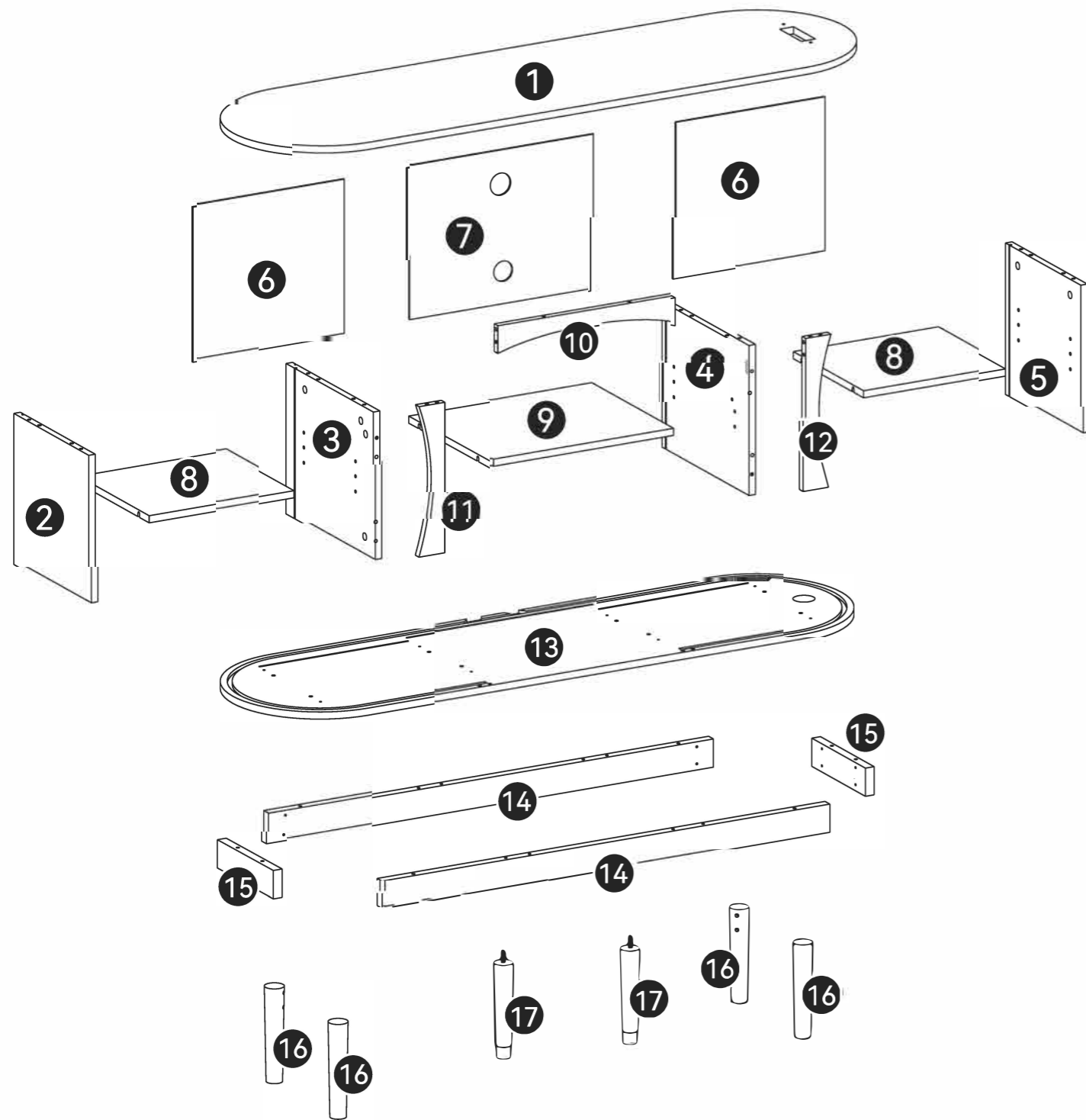
This block contains two illustrations. On the left, a person icon is shown next to a crossed-out assembly diagram, indicating that assembly on the floor is not recommended. On the right, a person icon is shown assembling the stand on a mat, indicating that using a mat is recommended to prevent damage.

Any questions concerning assembly, contact us

This block contains two illustrations. On the left, a person icon is shown sitting on a box reading a manual, with a question mark above their head, indicating that they are seeking help. On the right, a person icon is shown sitting at a desk using a laptop, indicating that they are contacting customer support.

PARTS DIAGRAM

Check if all parts and hardwares are included. Contact us if there is any part missing or damaged.

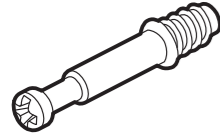


HARDWARES

SPARE PARTS



The spare parts are the additional parts provided in case of missing or damaged ones. Keep the spare parts and tools for future use.



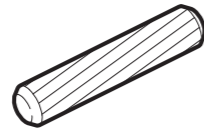
M6x35mm

A x 14



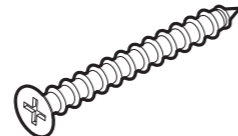
M15x10mm

B x 14



Ø6x30mm

C x 34



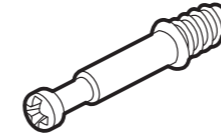
M4x35mm

D x 10



M4x8mm

E x 4



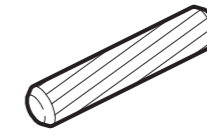
M6x35mm

A x 1



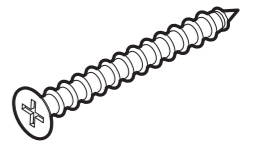
M15x10mm

B x 1



Ø6x30mm

C x 3



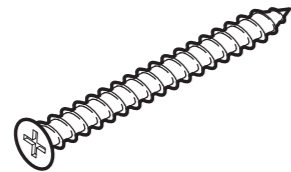
M4x35mm

D x 1



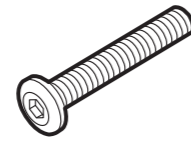
M3x14mm

F x 12



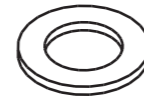
M4x50mm

G x 12



M6x35mm

H x 8



I x 8

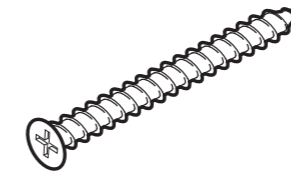


J x 8



M3x14mm

F x 1



M4x50mm

G x 1



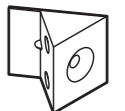
M4x14mm

K x 2



Ø5x25mm

N x 1

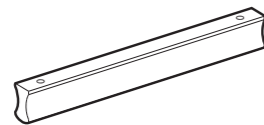


S x 1

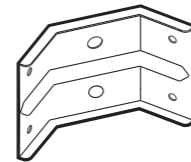


M4x14mm

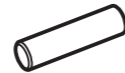
K x 24



L x 2

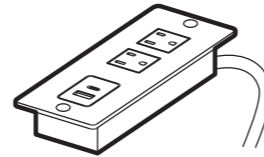


M x 4



Ø5x25mm

N x 12

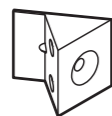


O x 1

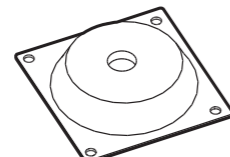


M3.5x12mm

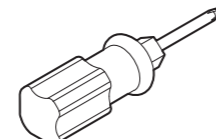
R x 2



S x 12



T x 2



x 1




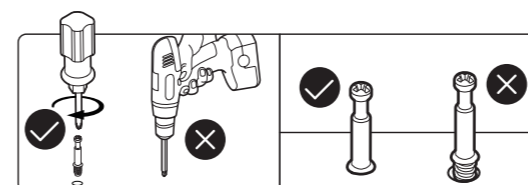
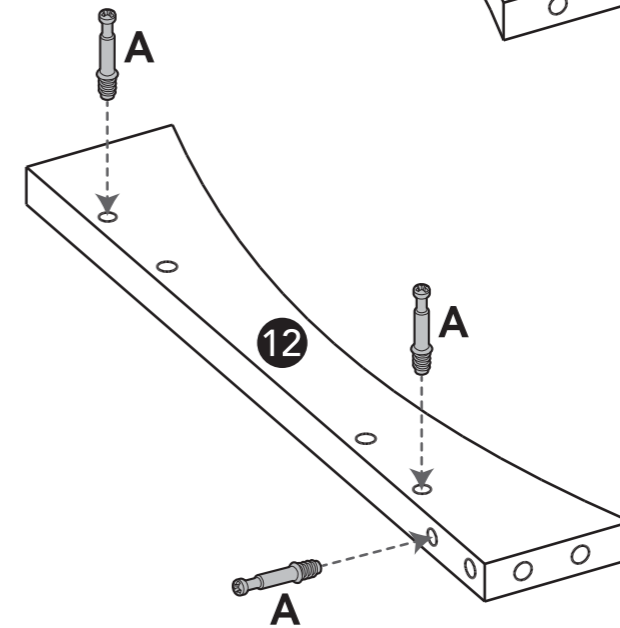
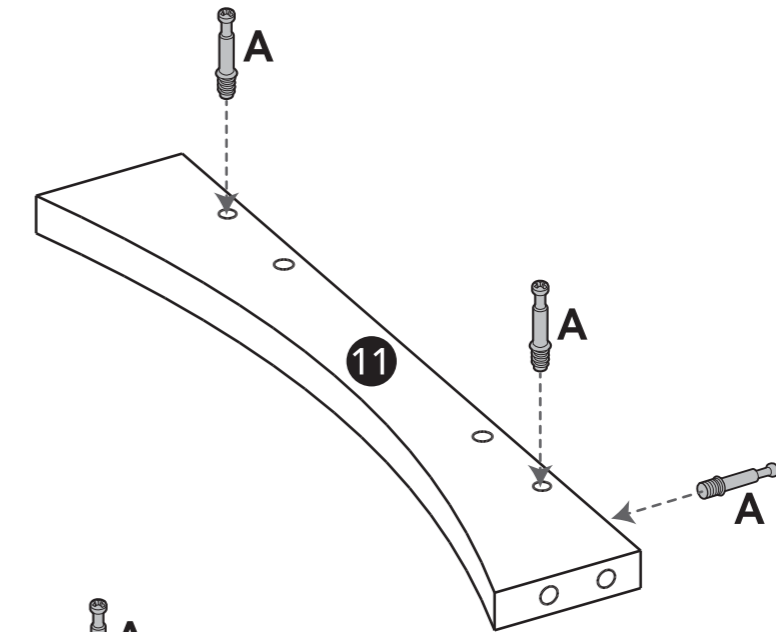
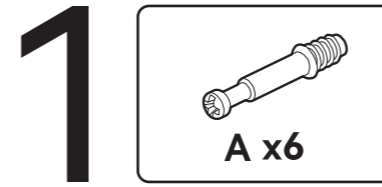
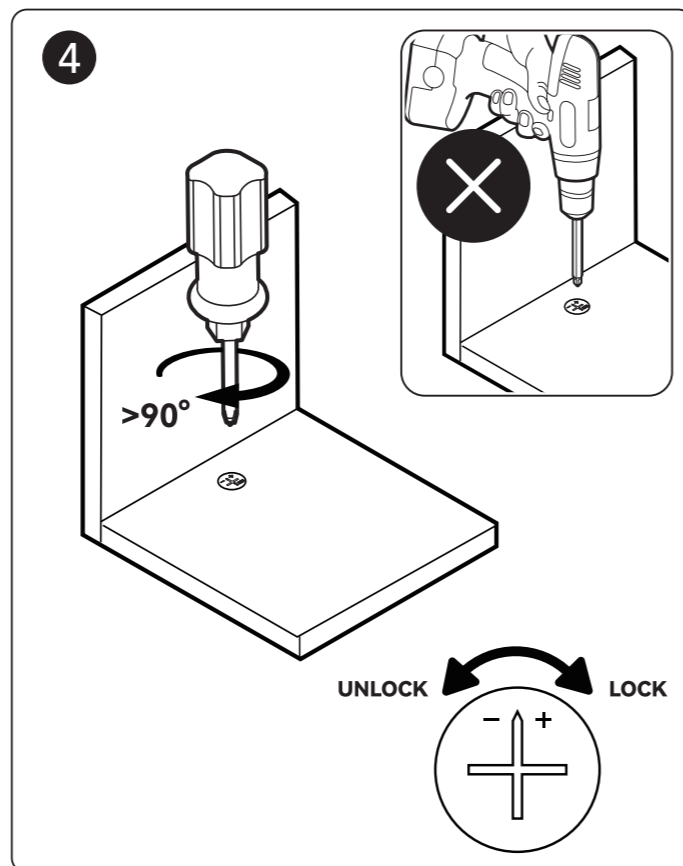
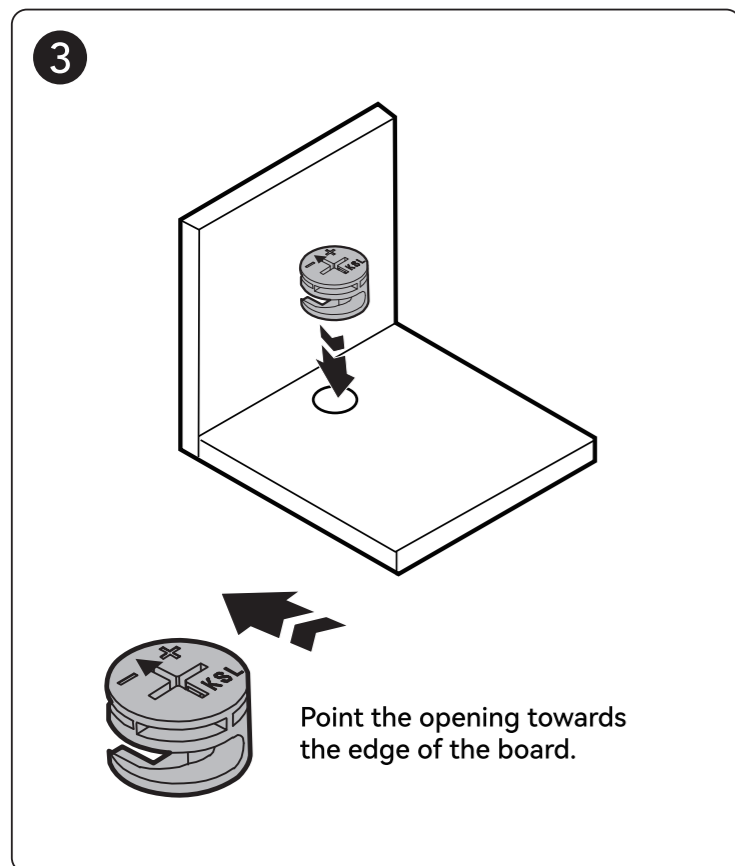
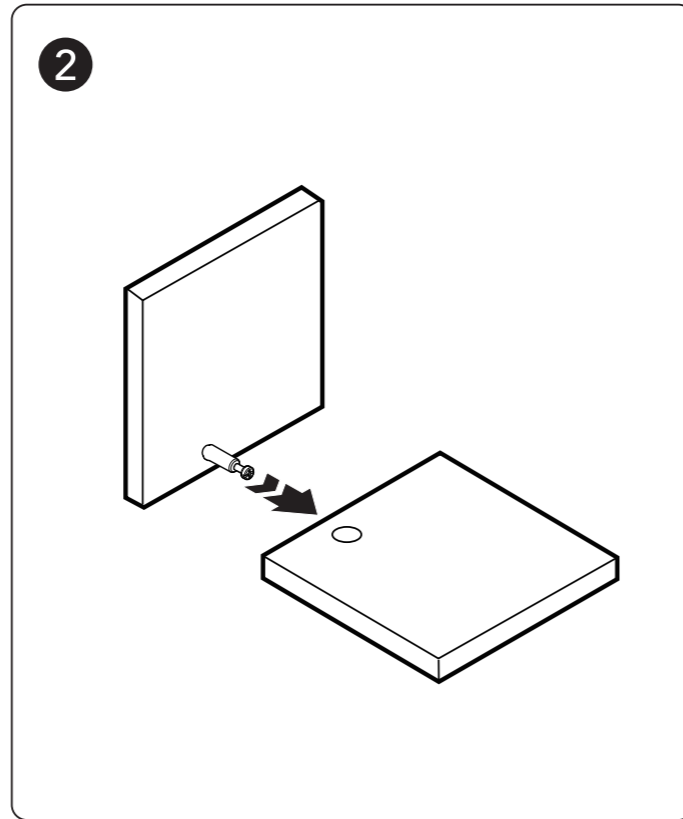
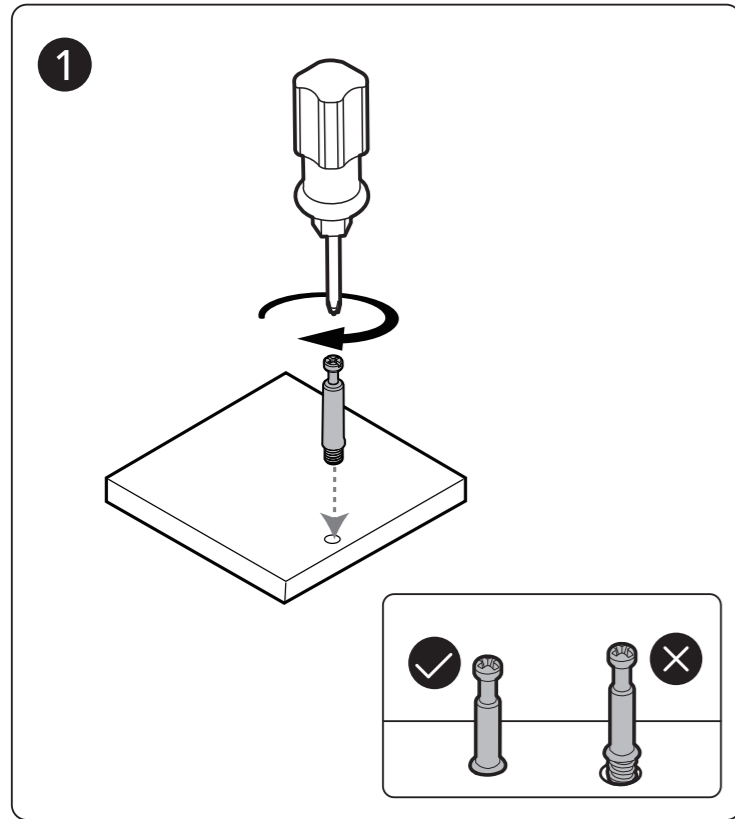
M4

x 1

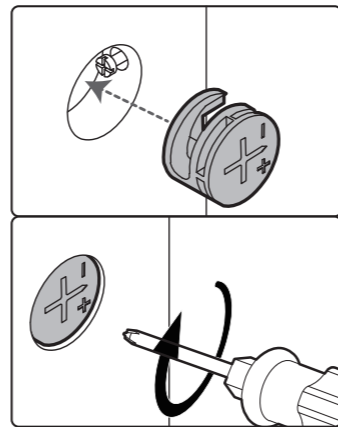
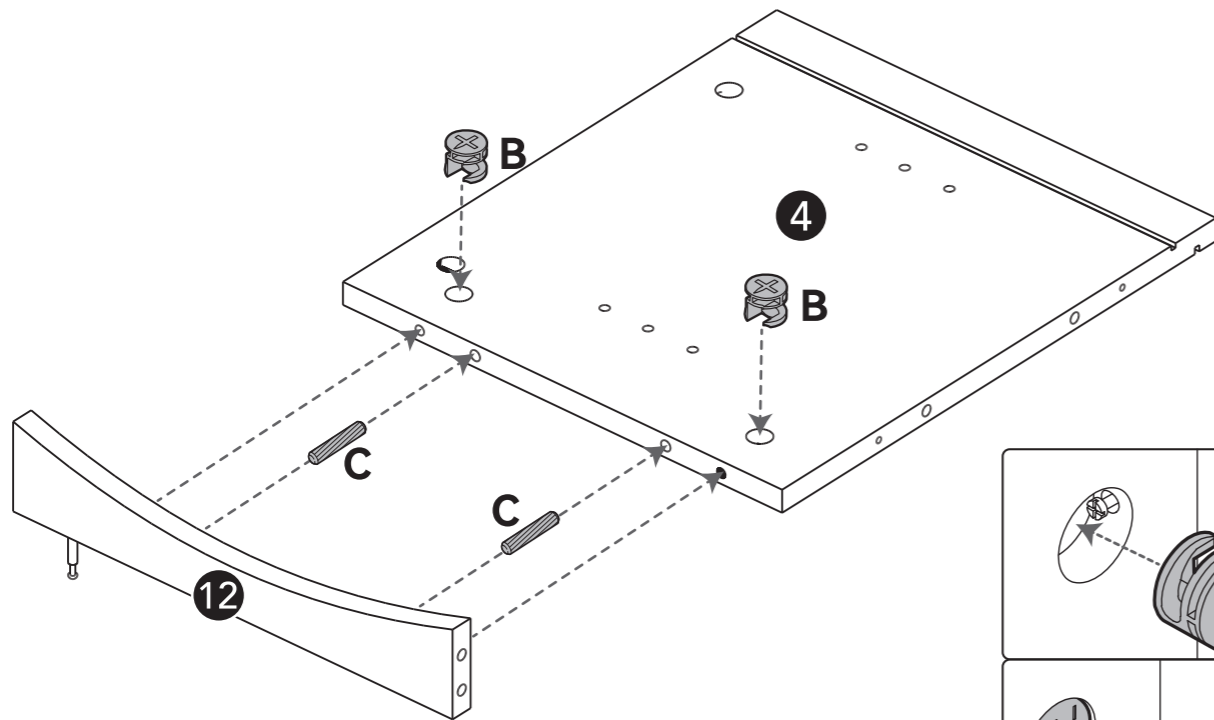
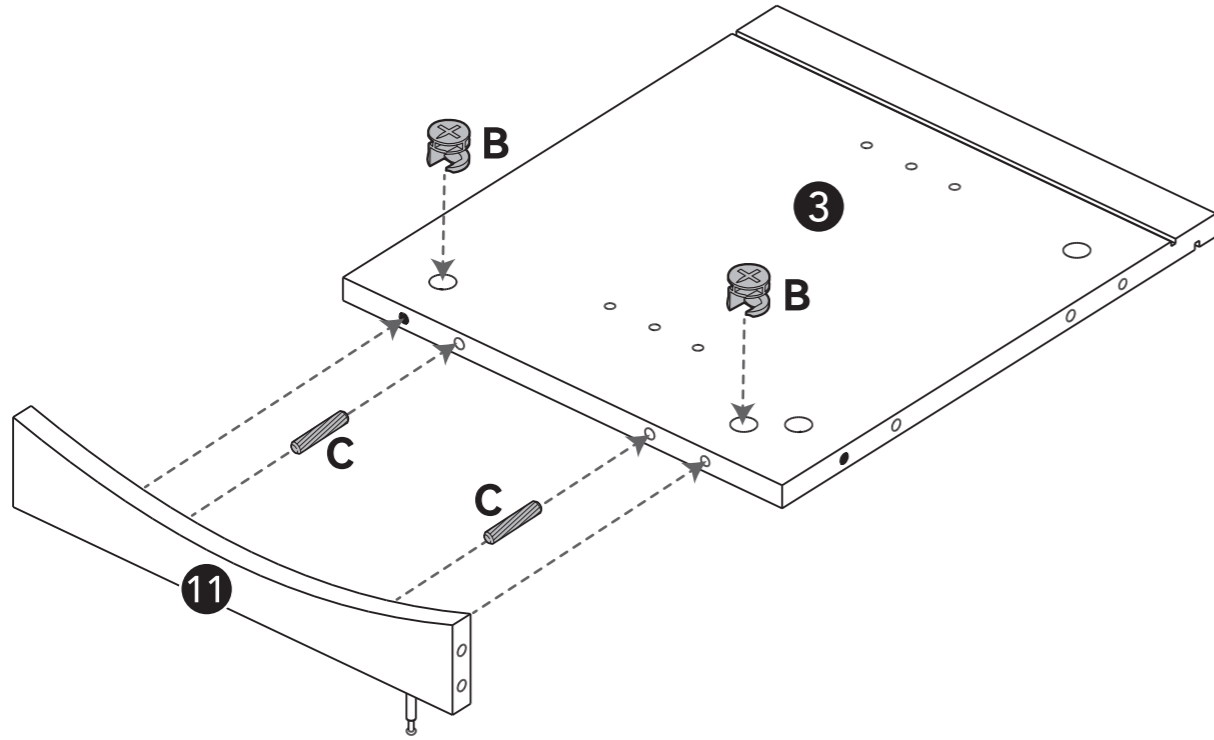
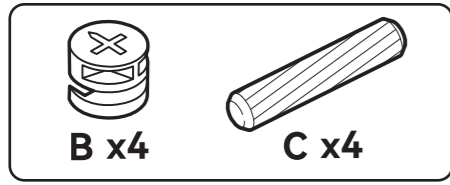
CAM LOCK FASTEN SYSTEM

ASSEMBLY

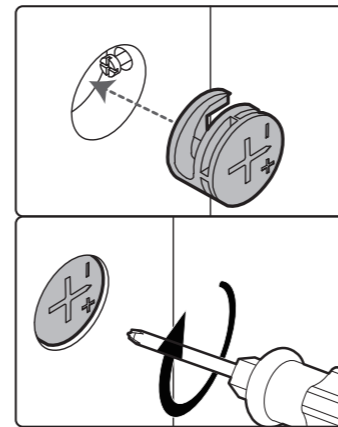
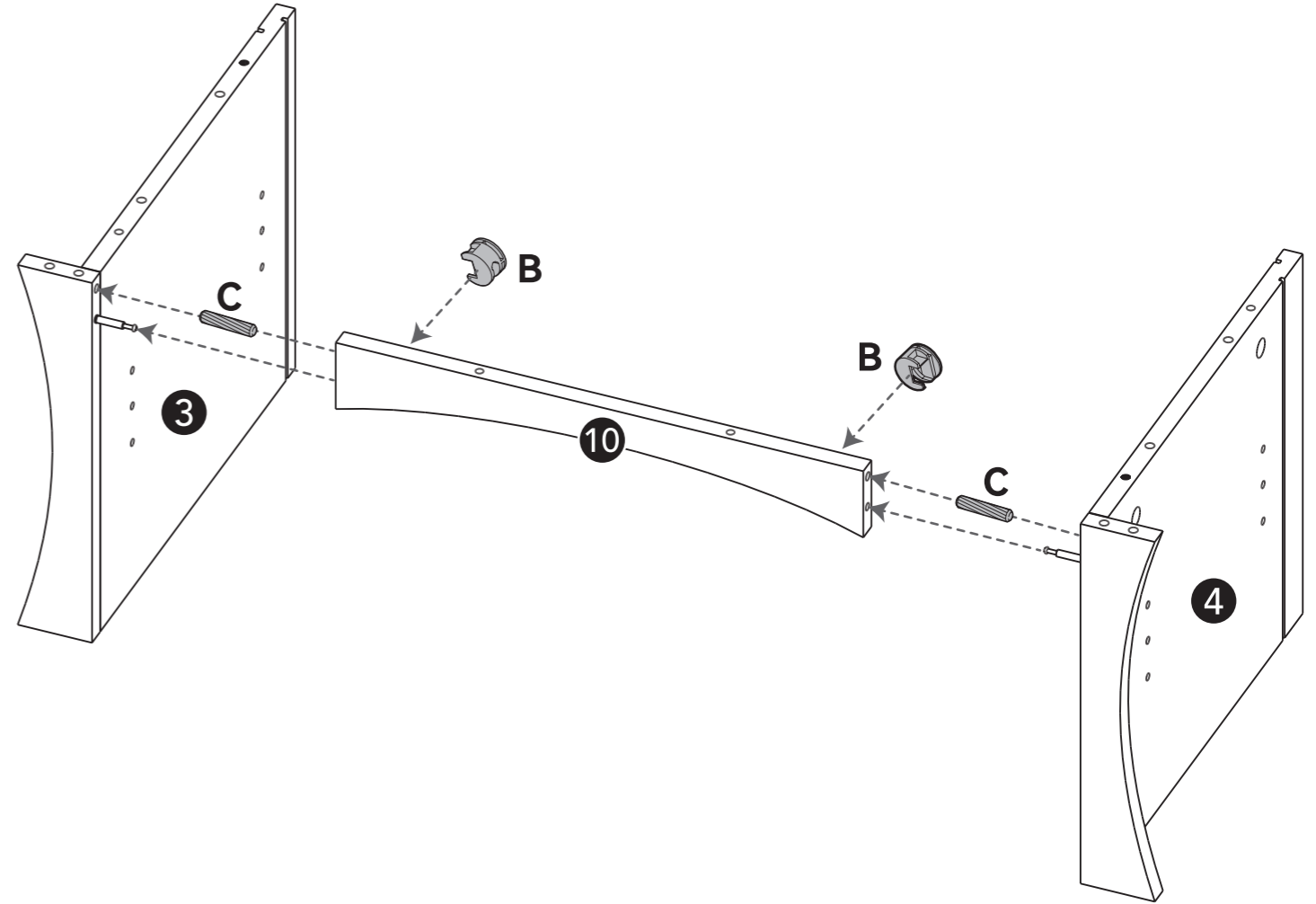
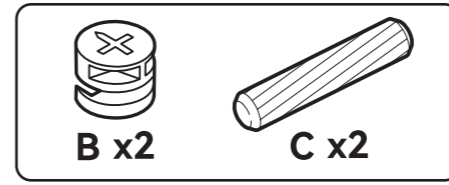
 Insert the cam bolt into the hole, then insert the cam lock and tighten.



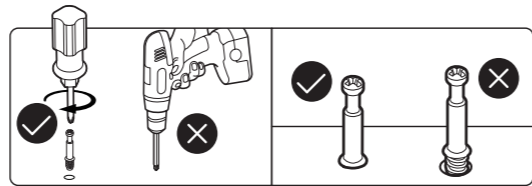
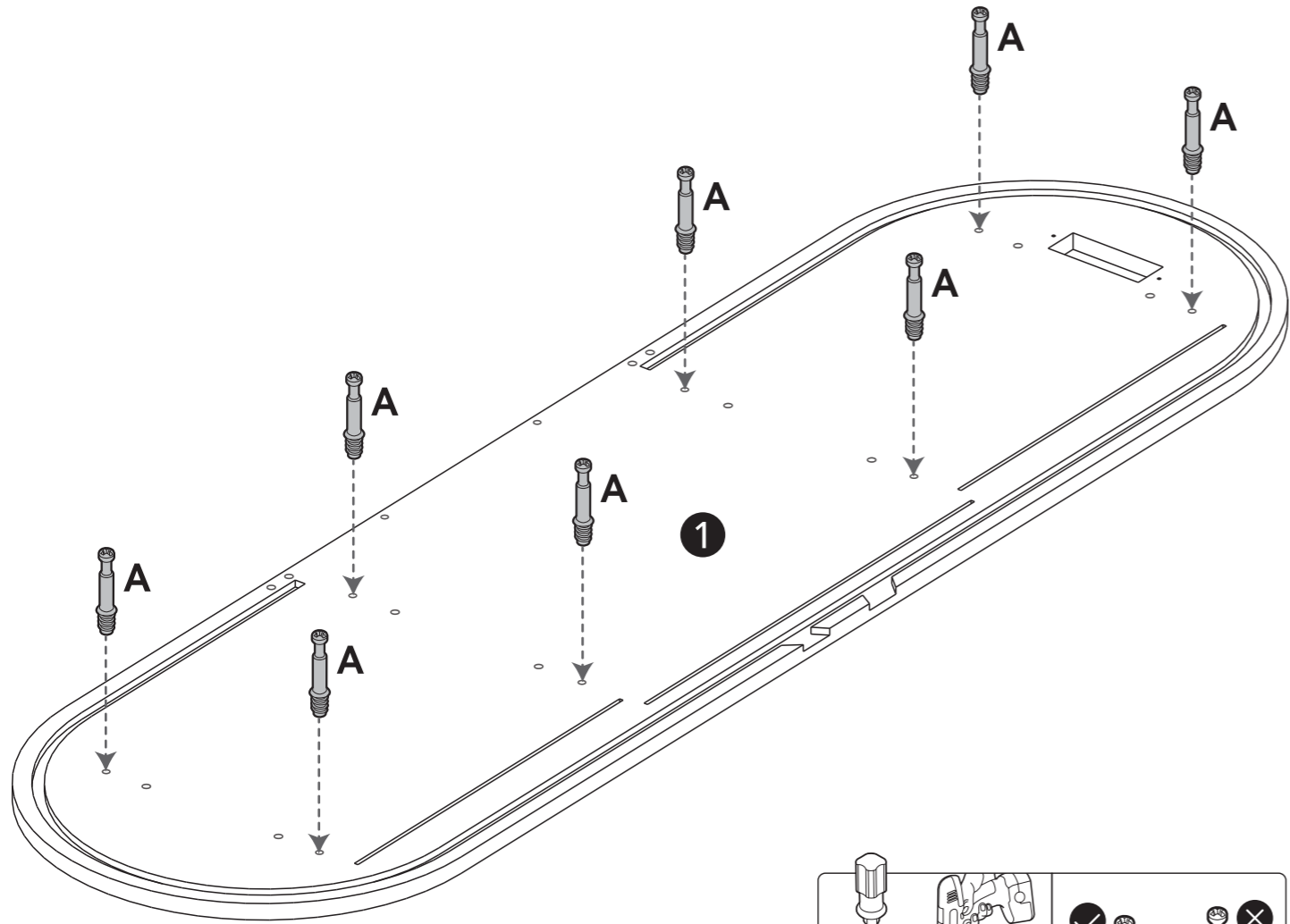
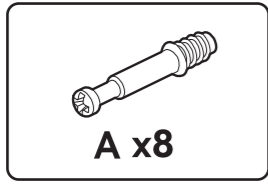
2



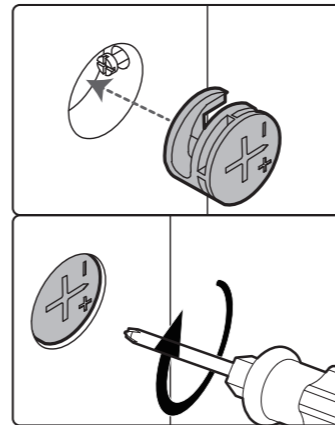
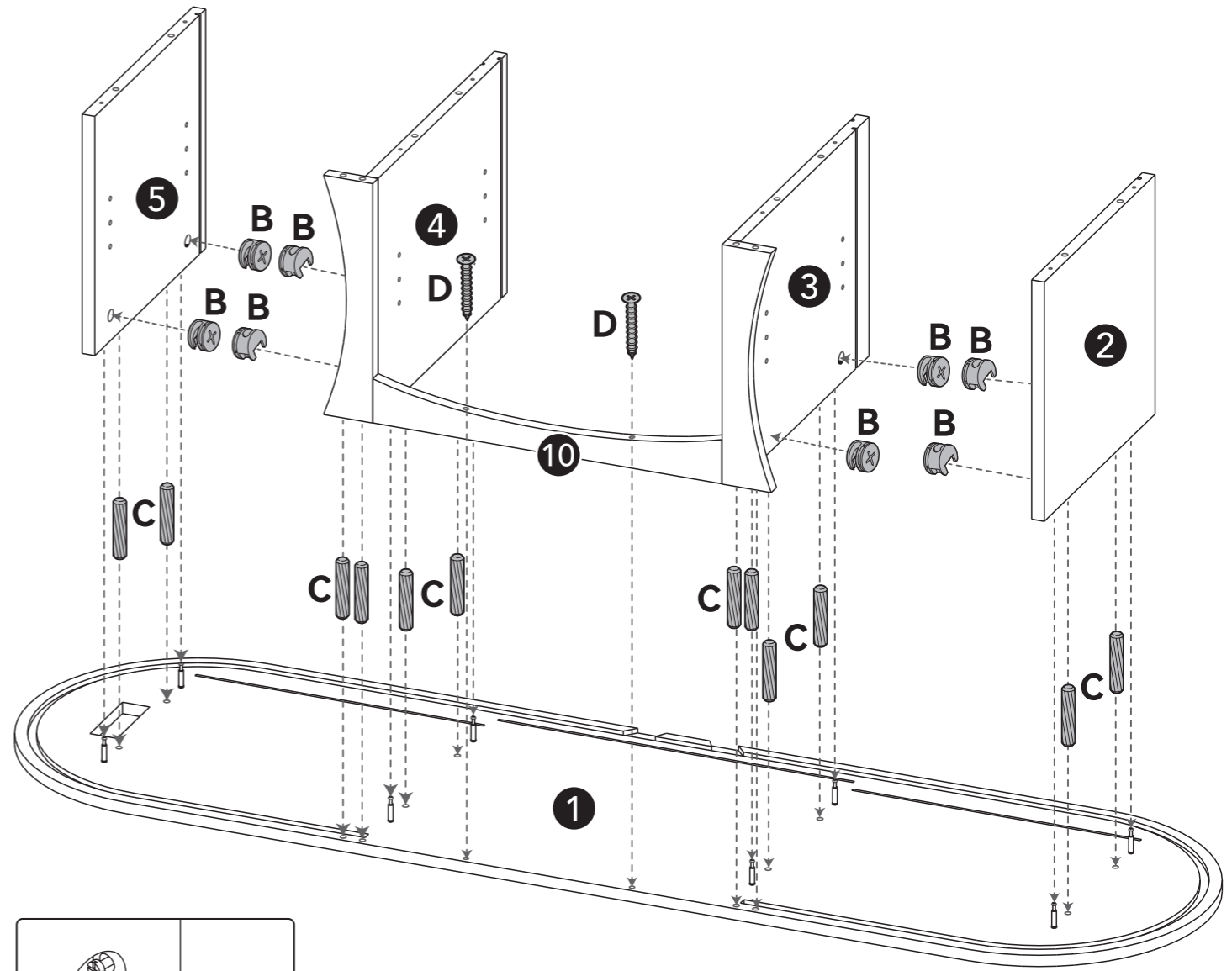
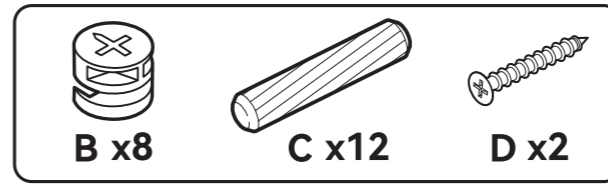
3



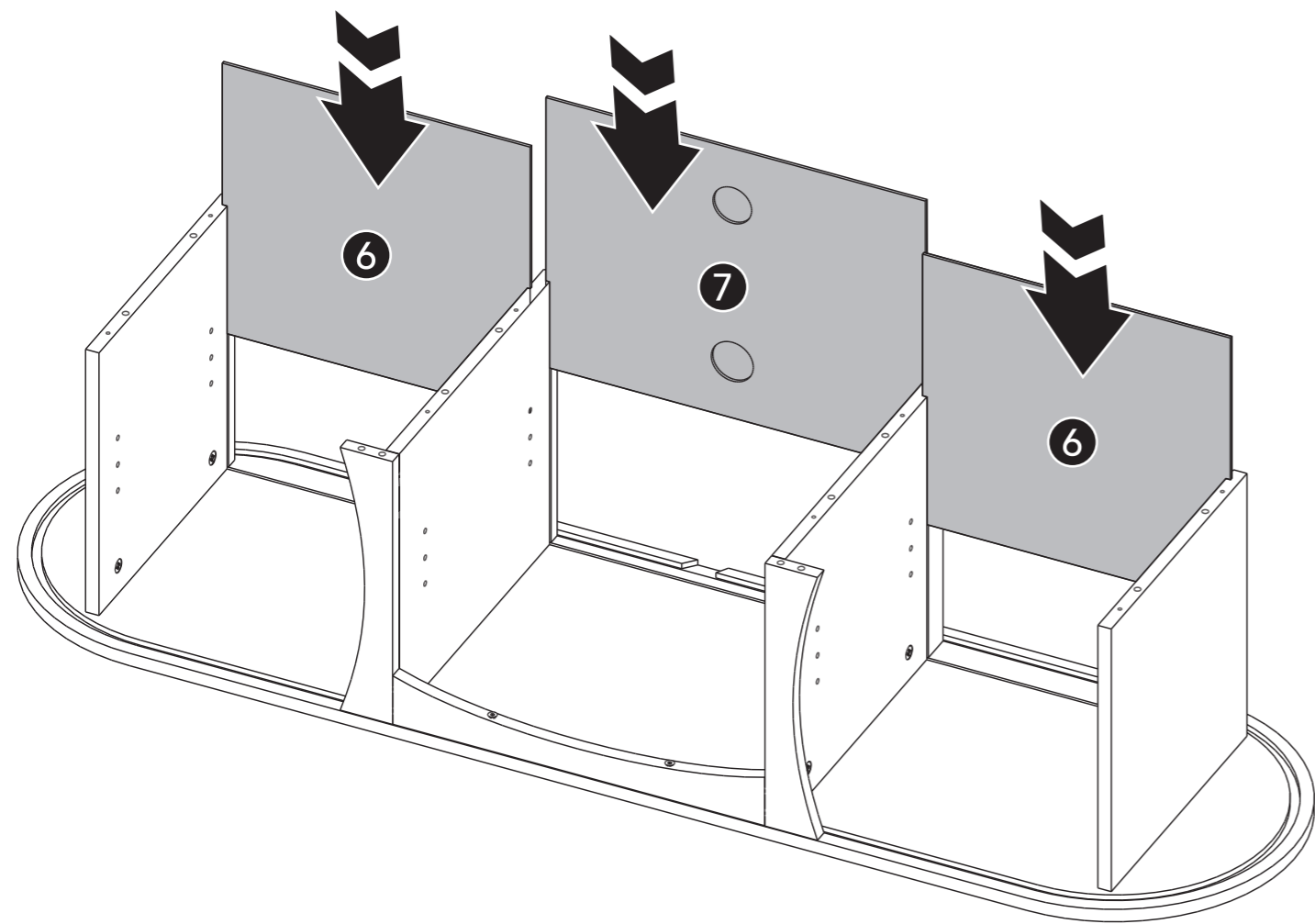
4



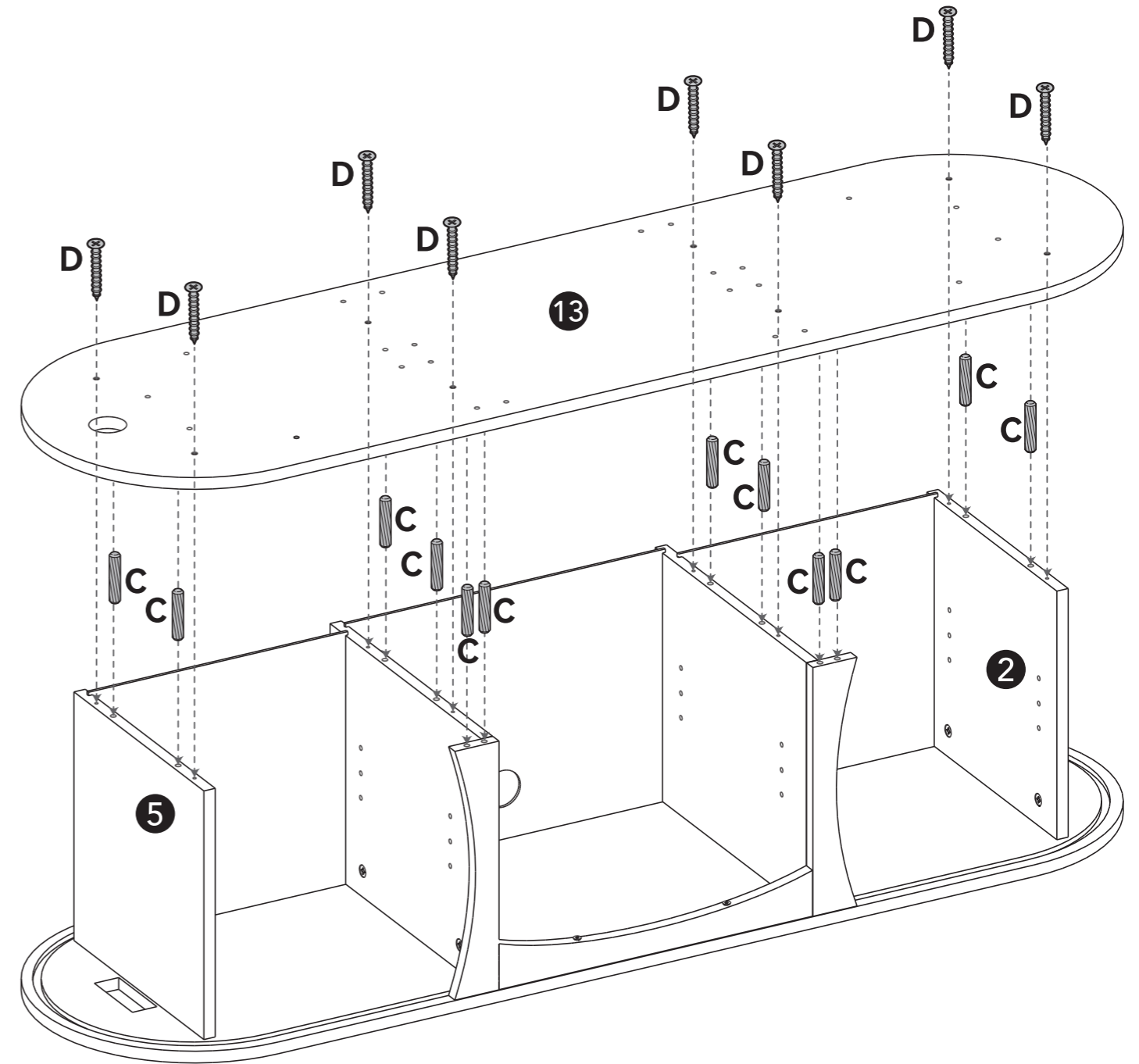
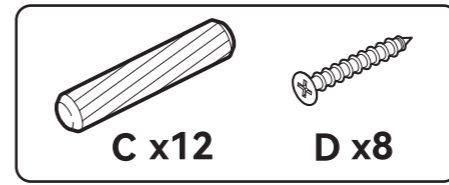
5



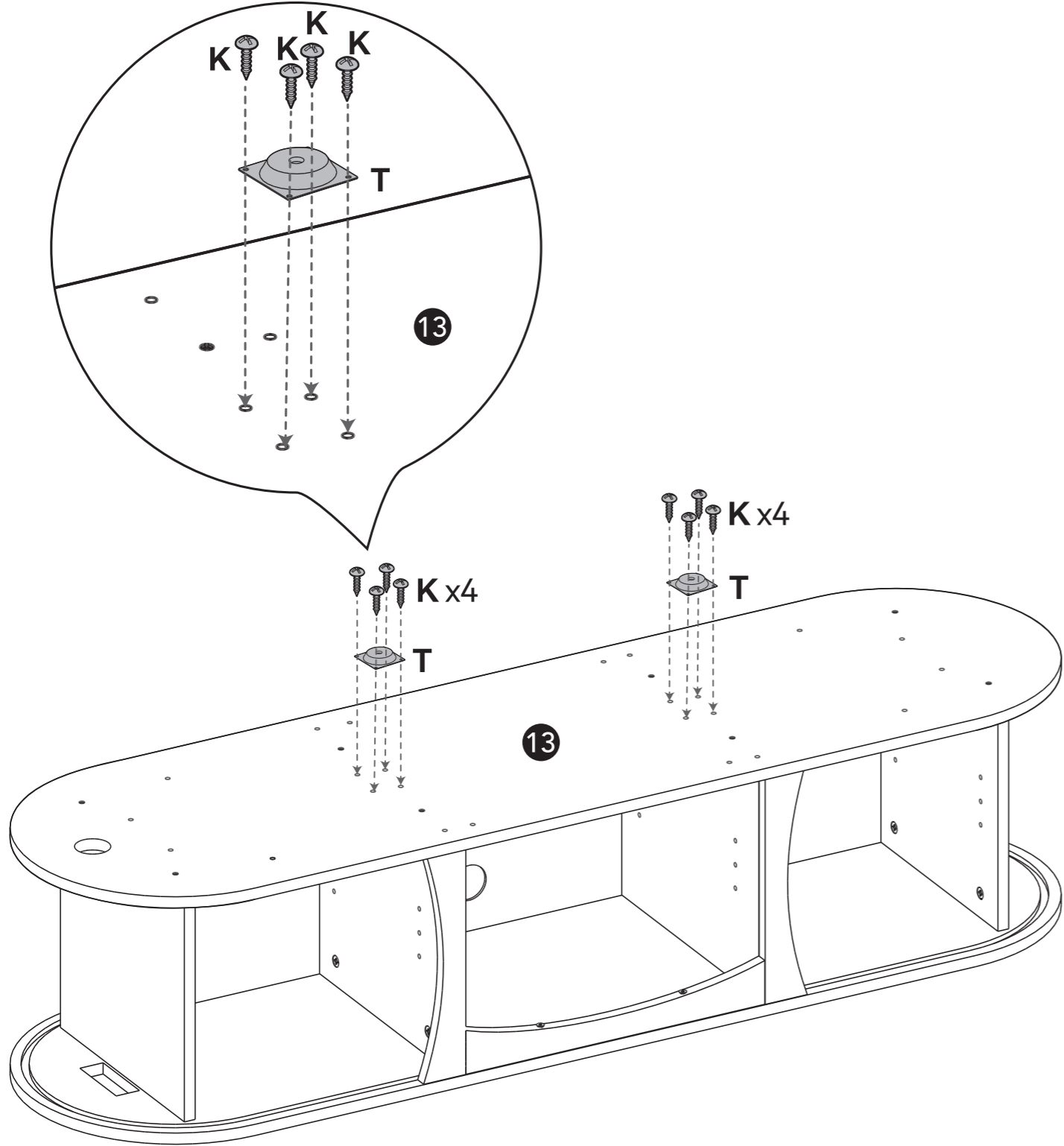
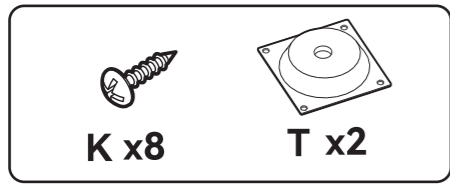
6



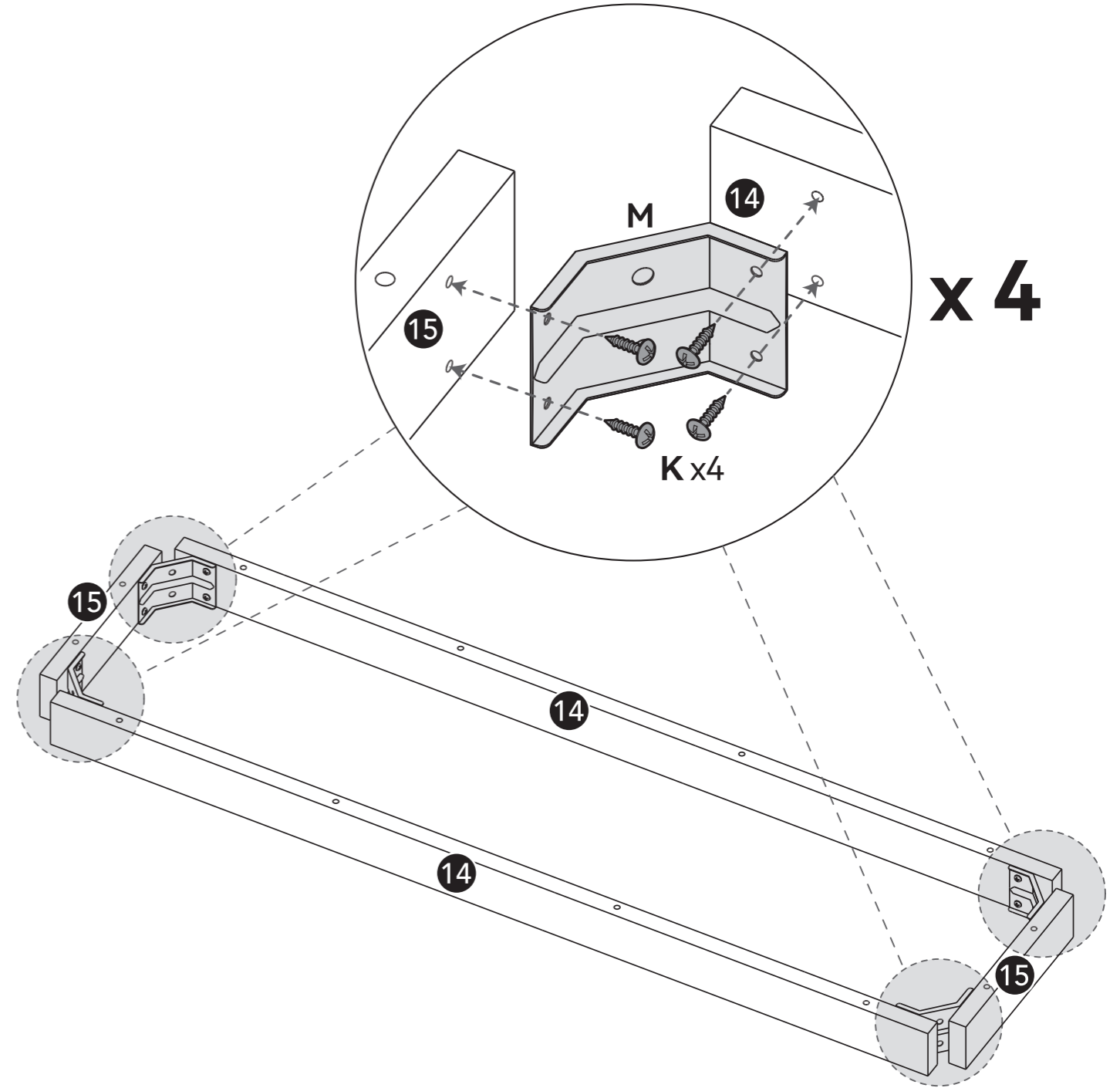
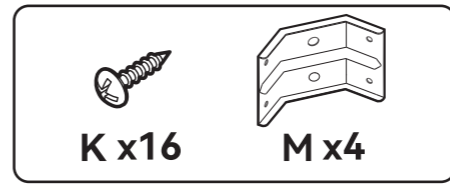
7



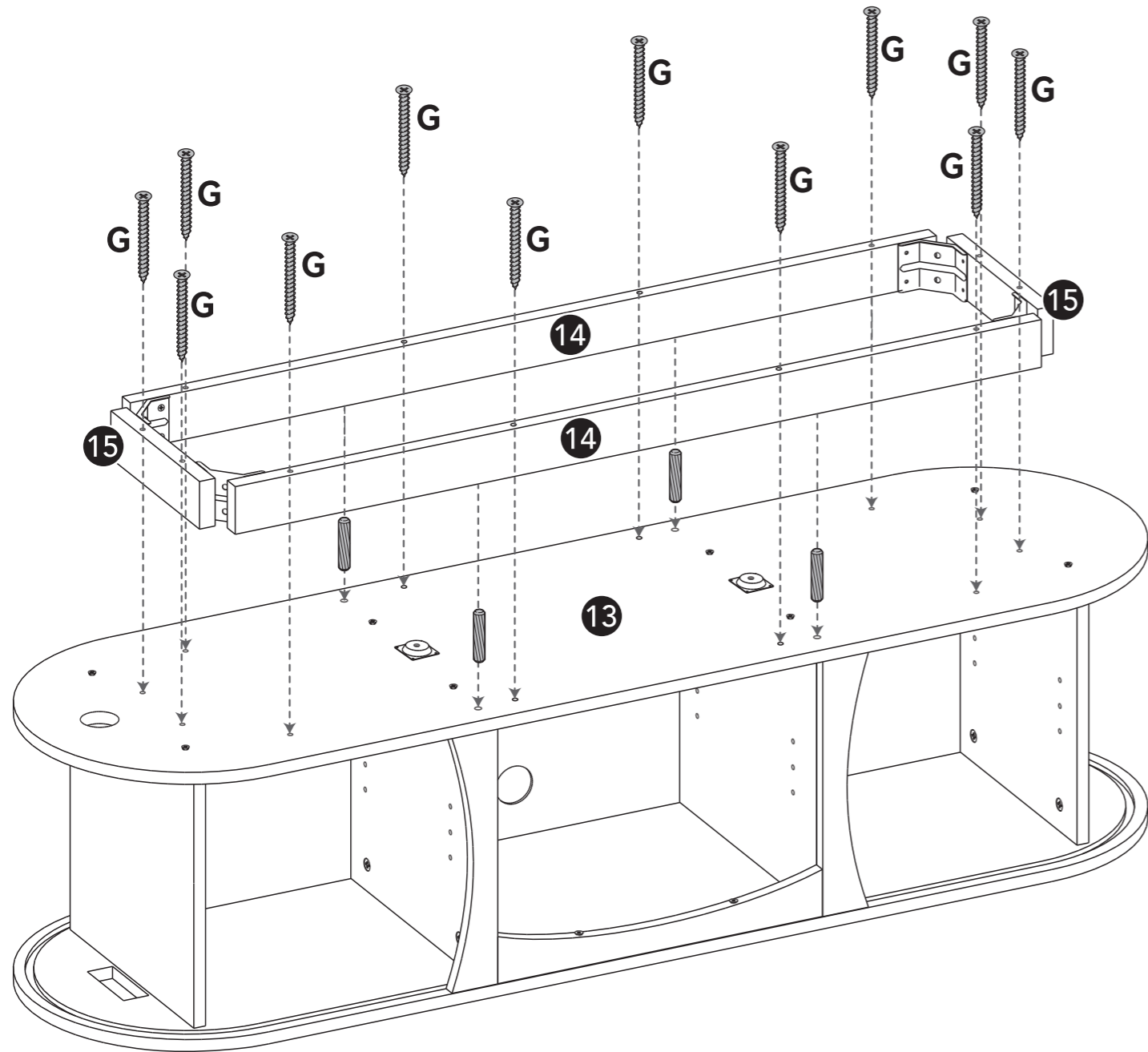
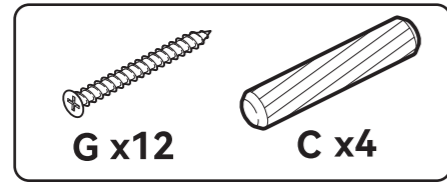
8



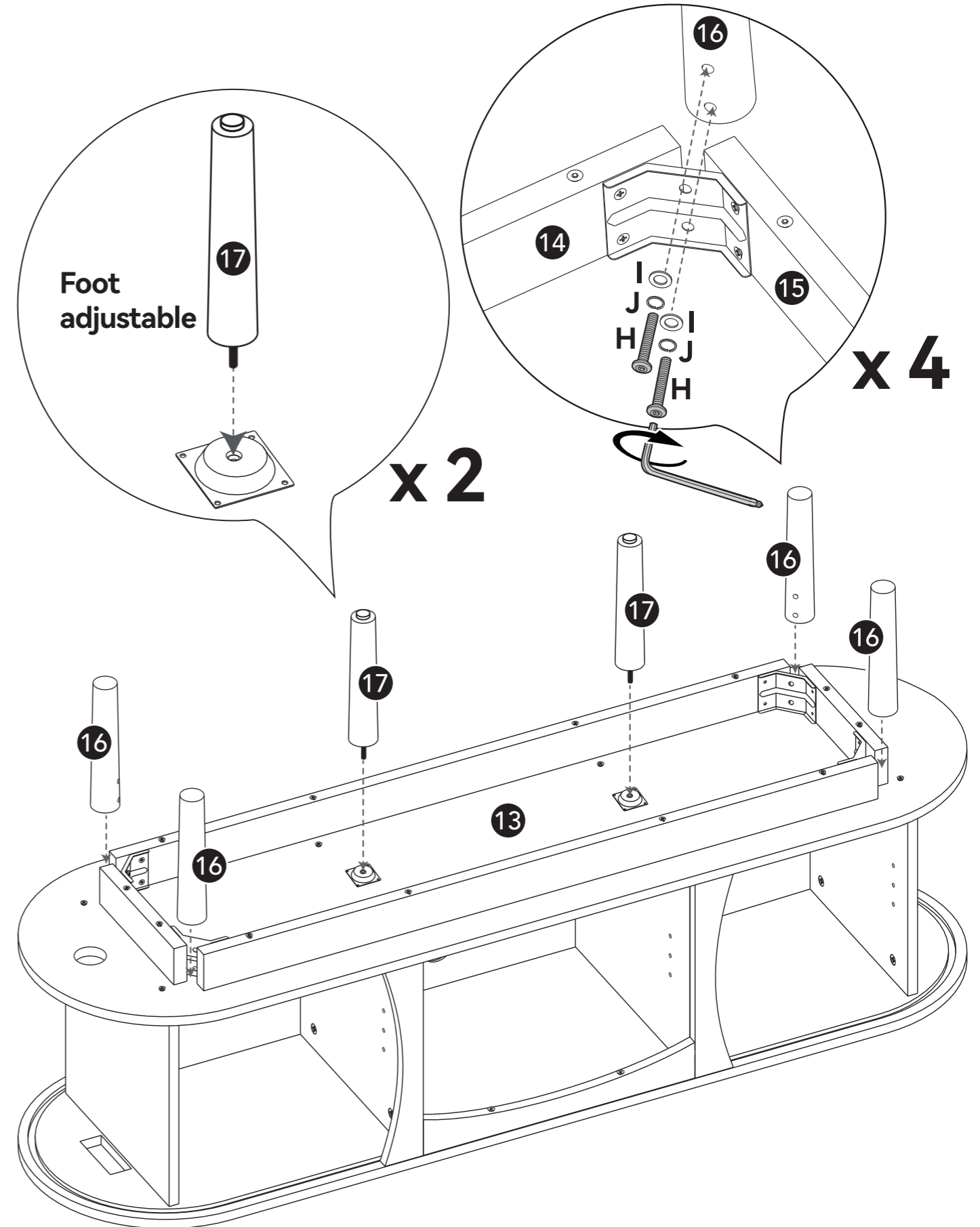
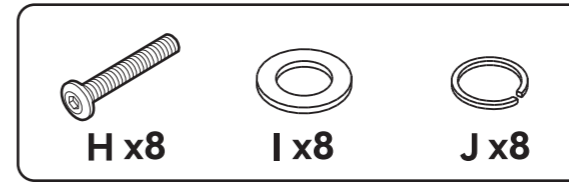
9



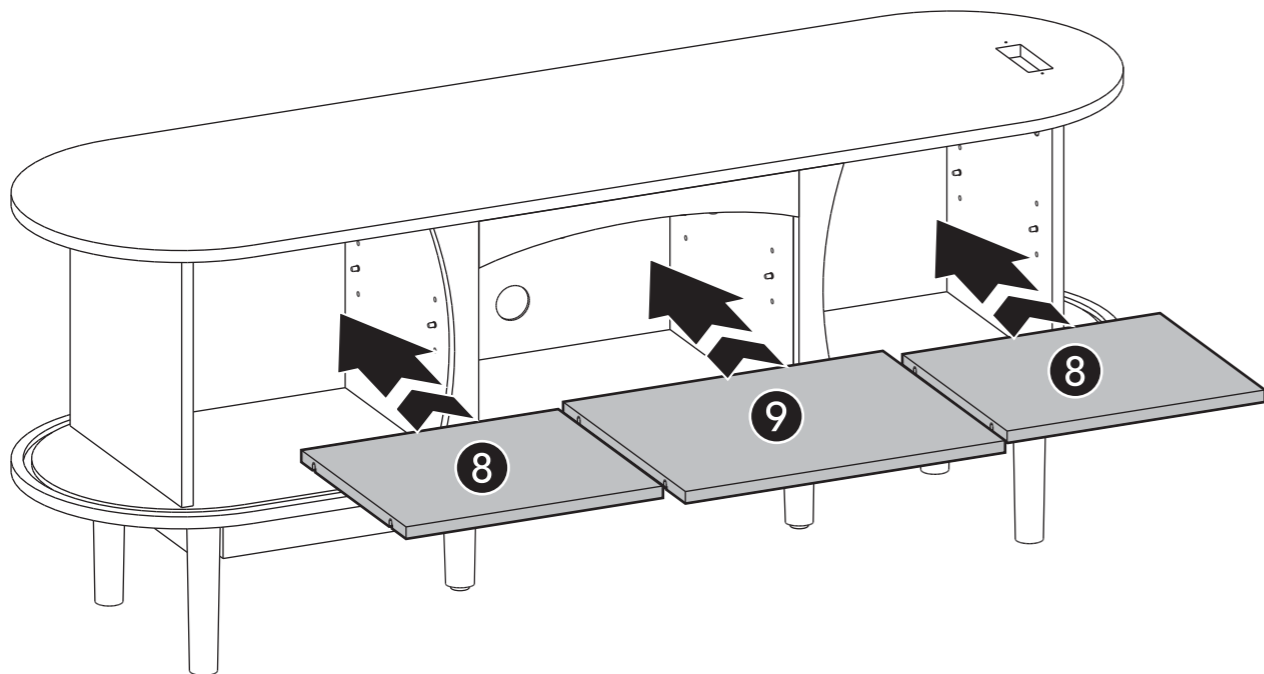
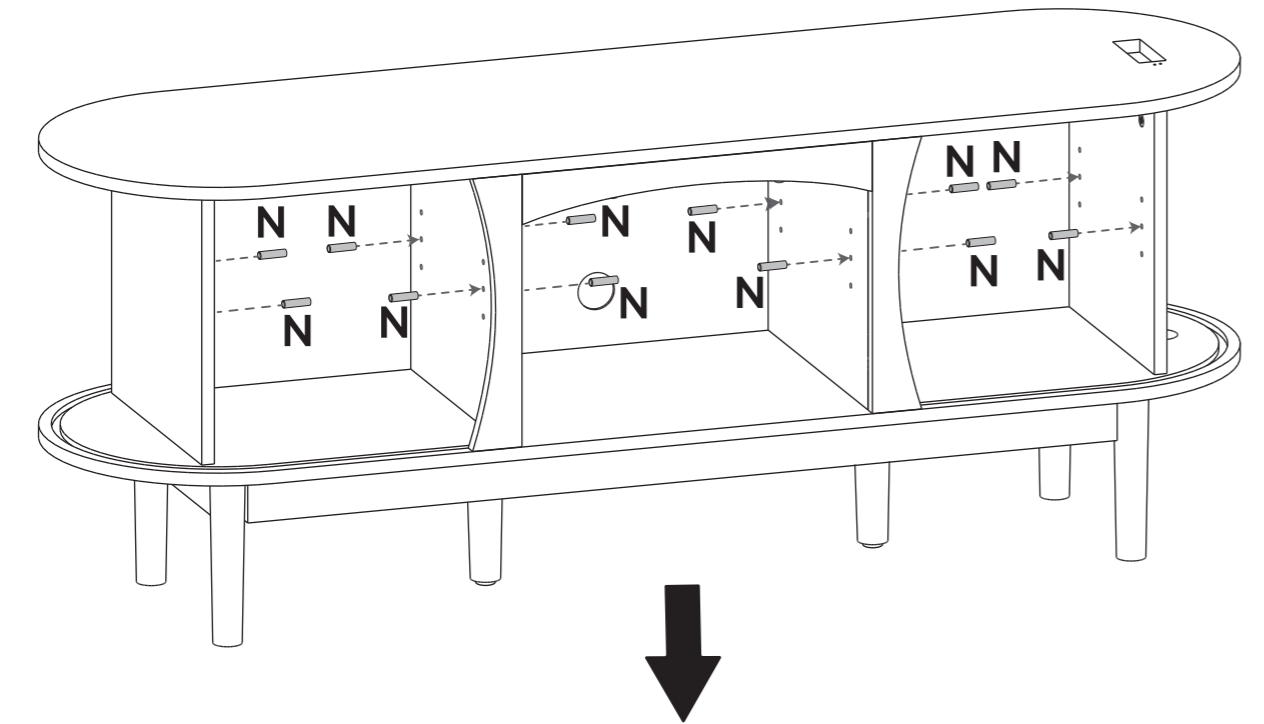
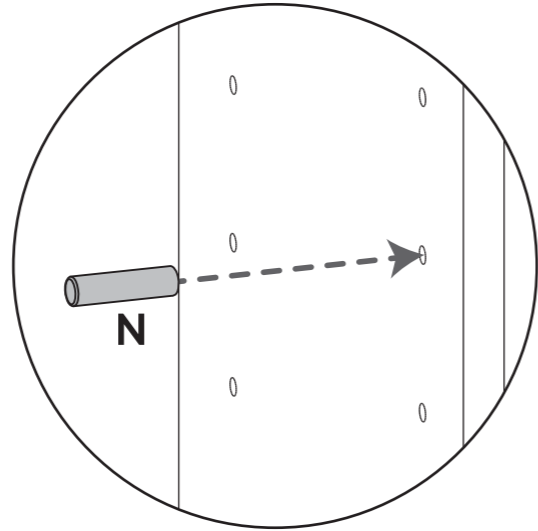
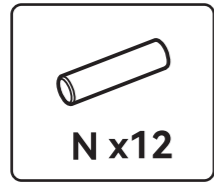
10



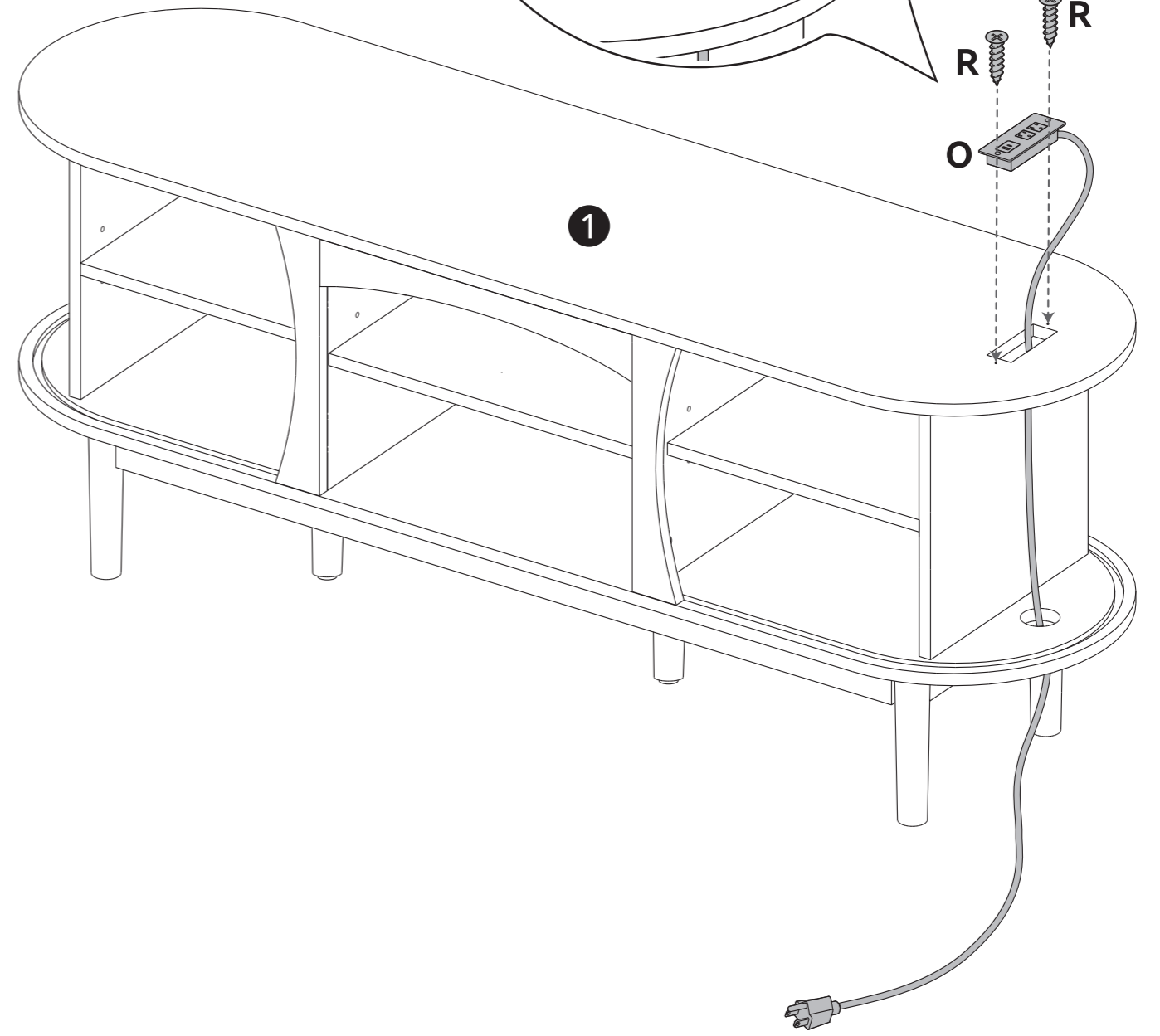
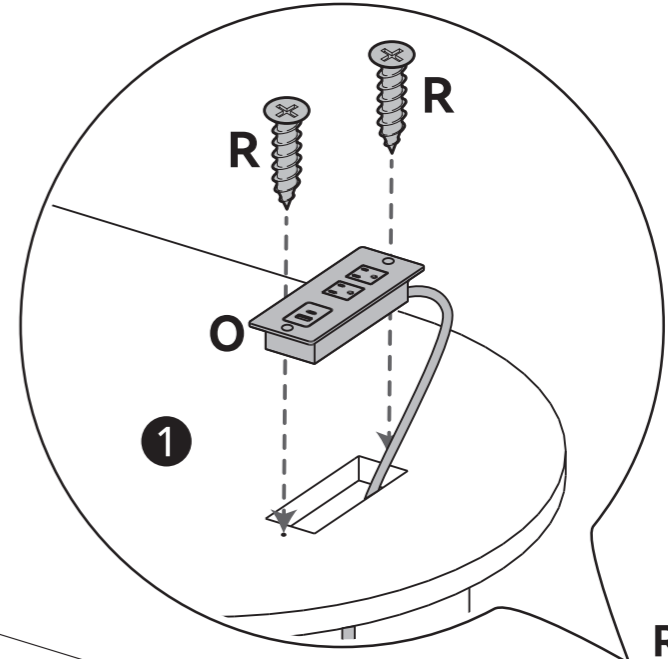
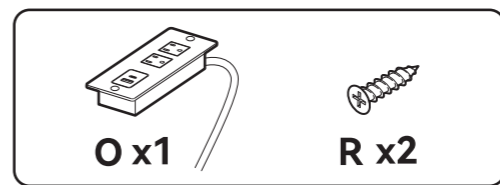
11



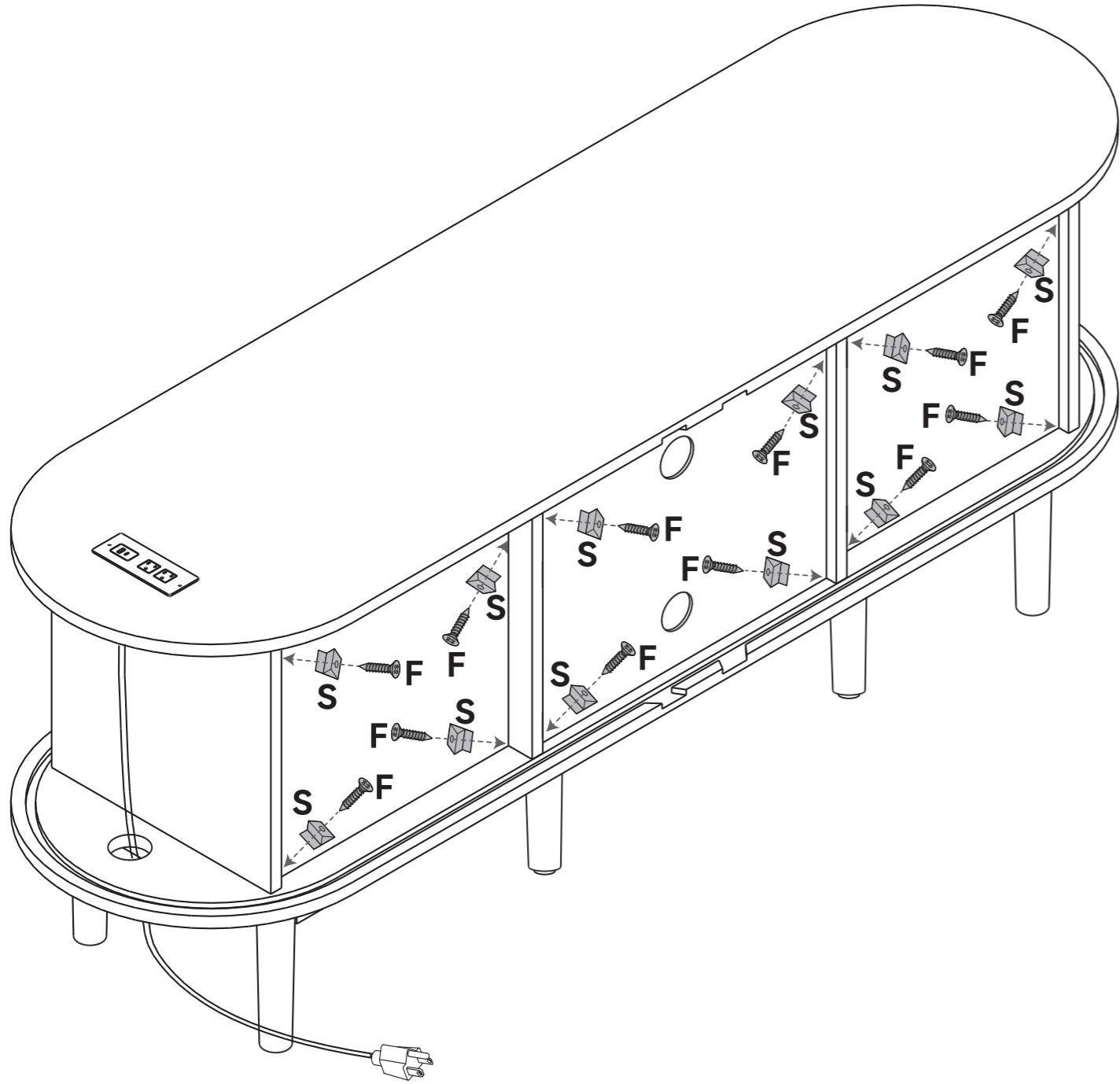
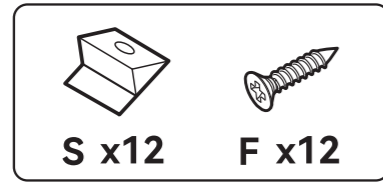
12



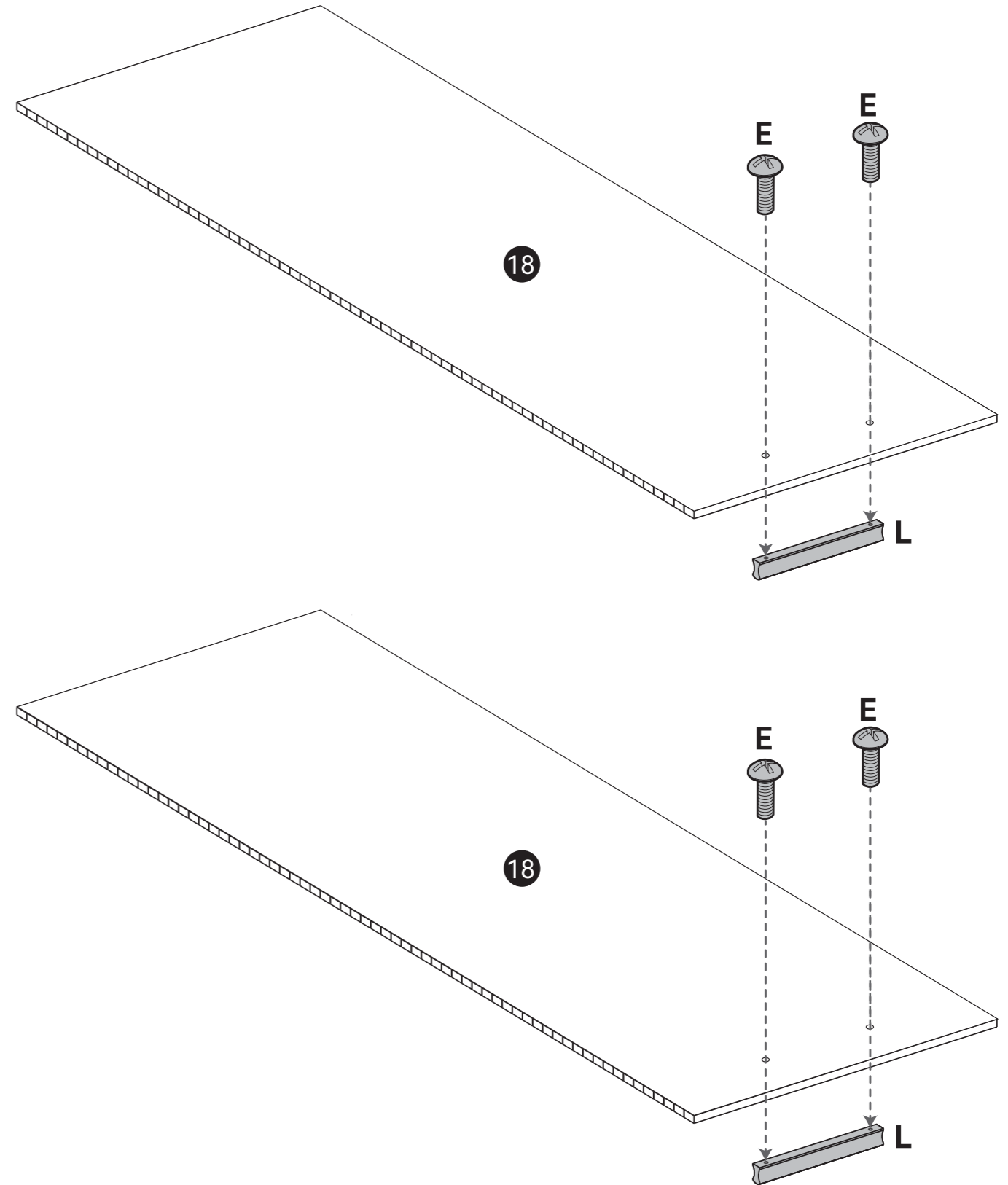
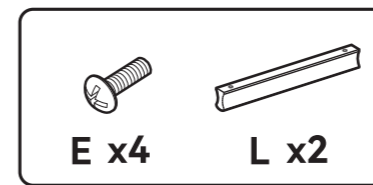
13



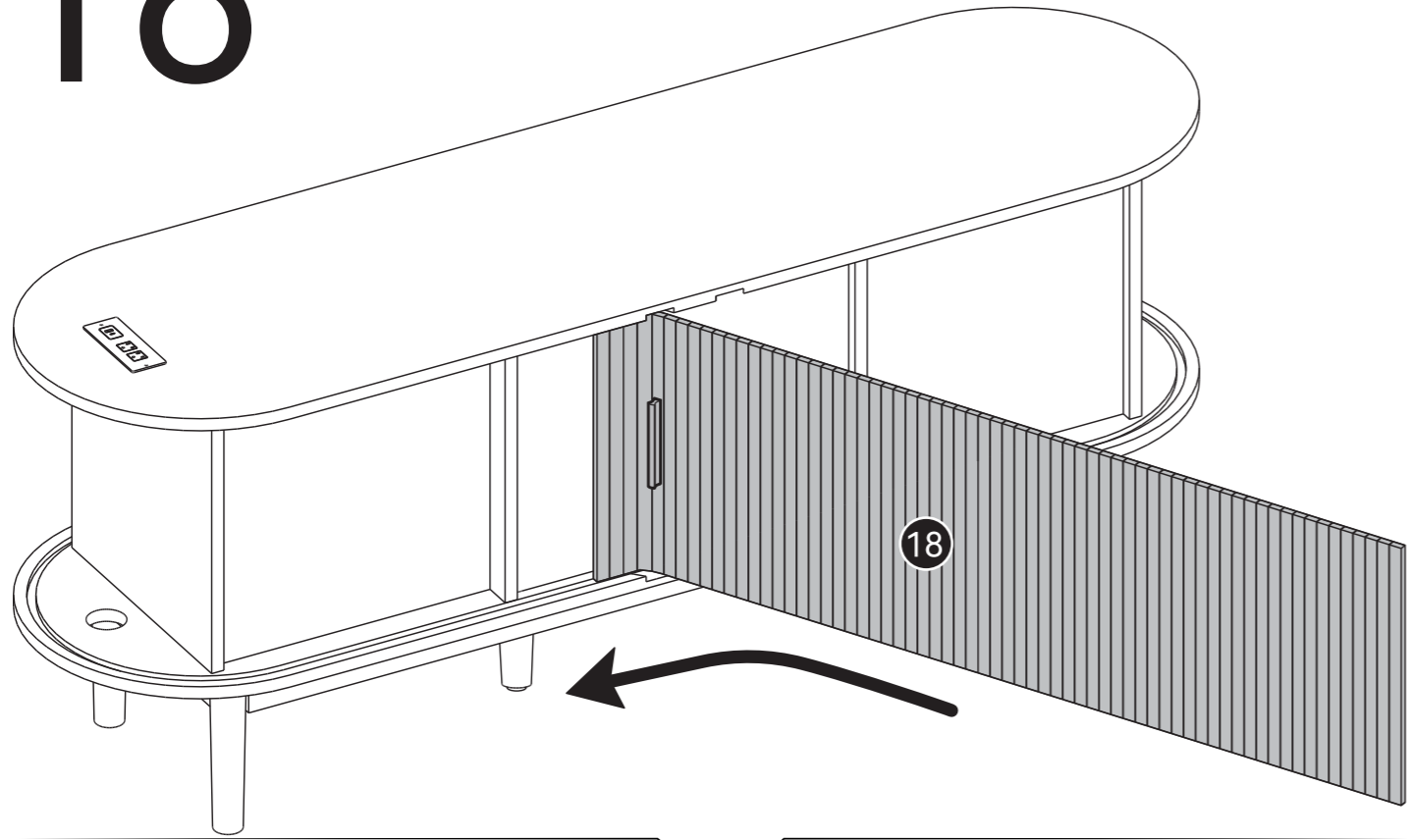
14



15



16



17

