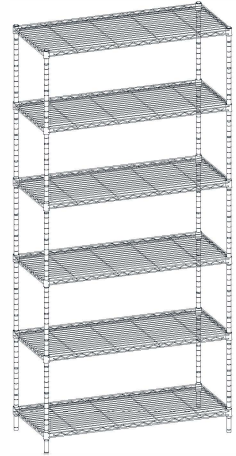


Adjustable Storage Shelves

[Installation manual] v1.0

Please read this manual carefully before installation.



We recommend 2 or more people to install.



The expected assembly time is 0.5 hour.



Not intended for use by children.



Keep away from fire hazards.



We recommend wearing protective gloves.



Place heavier items on lower shelves and lighter ones on top shelves.



If you have any questions, please reach out to us by email and a customer service representative will be in touch.



IMPORTANT WARRANTY INFORMATION

PLEASE READ CAREFULLY

AFTER-SALES CONTACT US

If you have any problems or dissatisfaction with the product, don't hesitate to contact the after-sales team to solve the problems or express your feelings or concerns. We **DO VALUE** your voices and are all the time ready to help. All the calls, emails and messages from you will get our immediate reply within 24 hours.

All items can be returned or replaced for any reason within 30 days of the receipt as long as the item is returned in its original product package and all accessories of its original shipment are included.

About Replacement:

If there are missing parts or damages when you receive the item, you don't need to return it if you want to get a replacement. Please contact the after-sales team

About Returns:

1. If you need to return product, please contact us

We will provide a **PREPAID RETURN LABEL** by E-mail.

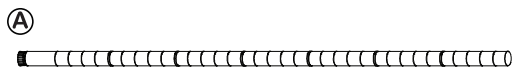
Please include a brief description of the problem and photos of the damaged product in your email.

2. **Please Note: If the customer does not contact the after-sales team to get a return label and the customer purchases the return label by themselves, it may incur expensive return shipping charges. And the seller will not bear the fee of the customer's own purchase of the return label**
3. If the product is damaged by the customer, we can refuse to provide a prepaid return label, and the customer needs to pay for the return shipping.
4. Boxes for return shipping will not be provided by the seller. The customers are responsible for using the original shipping boxes, or purchasing new boxes when no boxes.
5. After all returned items arrive at the Return Center, please contact the After-sales team and we will fully refund back to the original payment method.

WARRANTY:

Please keep the after-sale card. If the product is damaged by non-human factors within six months, please contact our after-sales team.

COMPONENTS



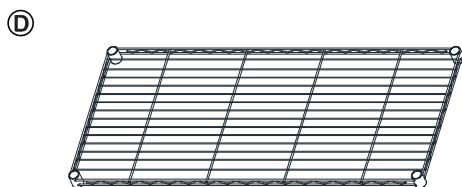
Bottom Pole x4
(with feet leveler preassembled)



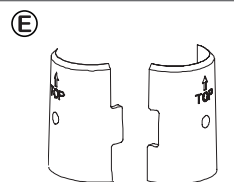
TOP Pole x4
(with pole cap and pole connector preassembled)



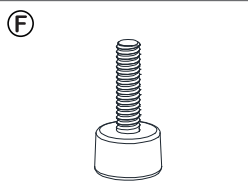
Middle Pole x8



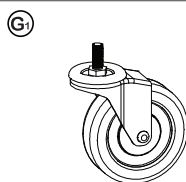
Shelf x6



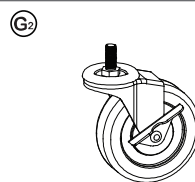
Tapered Lock
x24 pairs +1 extra pair



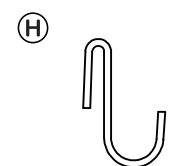
Foot Leveler x4
(Pre-installed on the bottom pole)



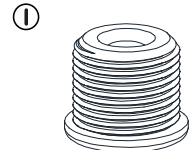
Wheel x2
(Non-Lockable)



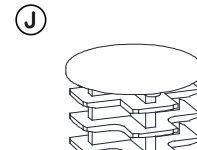
Wheel x2
(Lockable)



Hook x4



Base Stopper x4
(for installing foot leveler or wheel)



Top Cap x4



Small Wrench

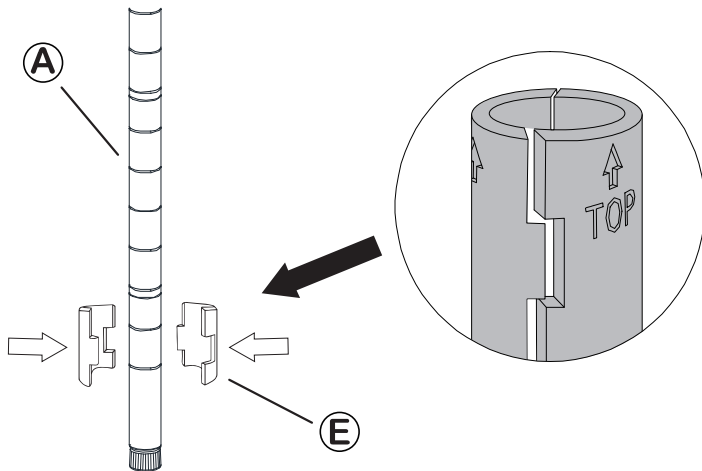
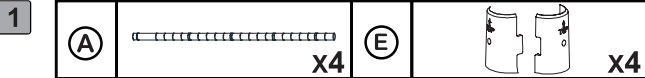
WARNING

- Failure to follow these instructions may result in serious injury or death of yourself and people around you.
- Some parts have sharp edges, please install them carefully to avoid injury to yourself and those around you.

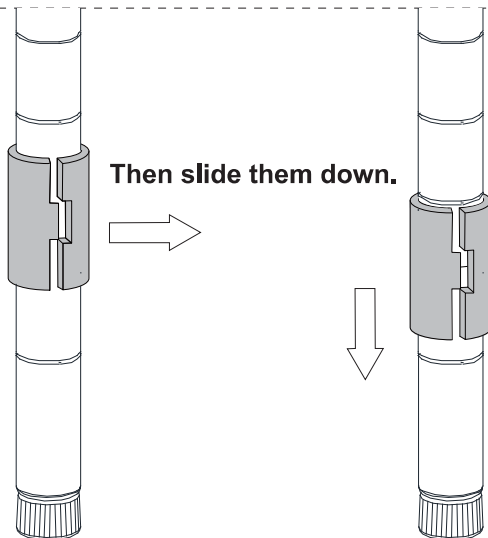
CAUTION

- Do not stand on or climb on the shelving unit.
Place heavier items on lower shelves and lighter ones on top shelves.

ASSEMBLY INSTRUCTIONS



With the "TOP" facing up, snap the two halves of a tapered lock (E) at the desired height on bottom pole (A).
(You can refer to the double grooved line to ensure that the tapered locks (E) are mounted at the same height.)

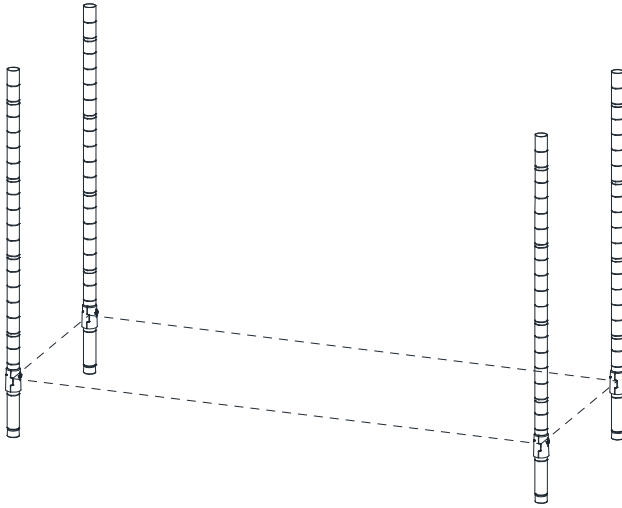


Then slide them down.

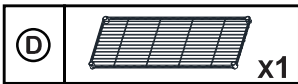
(Once you hear the "ting" sound,
it's perfectly locked.)

It is normal for the tapered locks to have small gaps and not fit perfectly flush. This is not a defect — it will be stable and secure once the shelf is assembled.

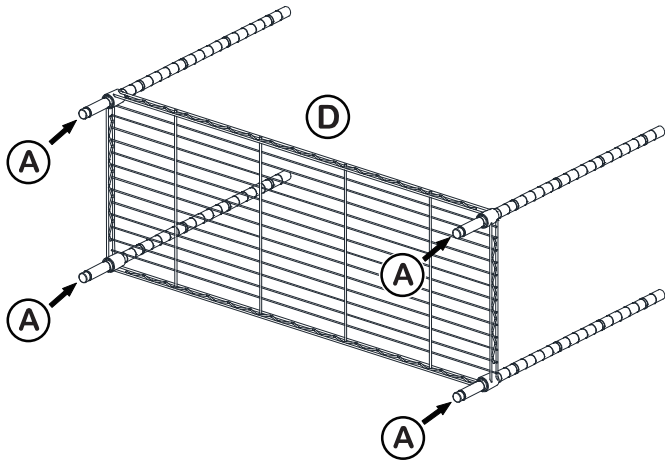
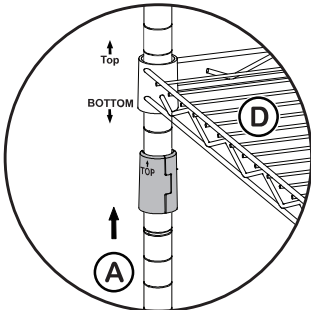
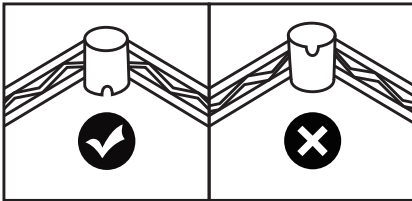
Repeat for the remaining bottom poles (A), making sure the tapered locks (E) are installed **at the same grooved line** on each bottom pole (A).



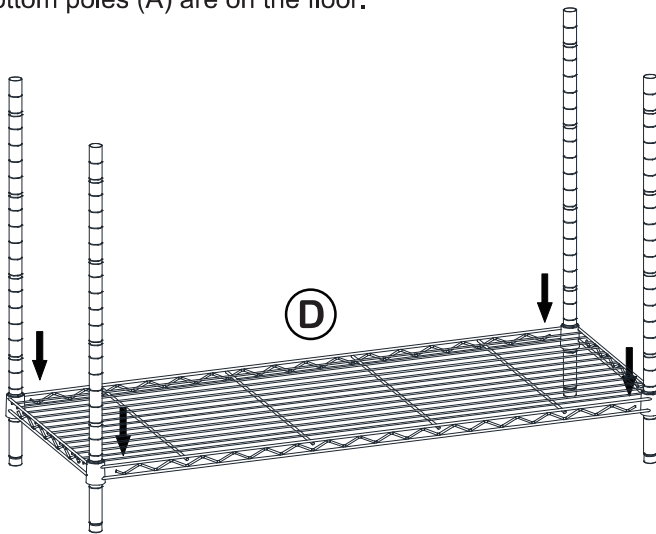
2



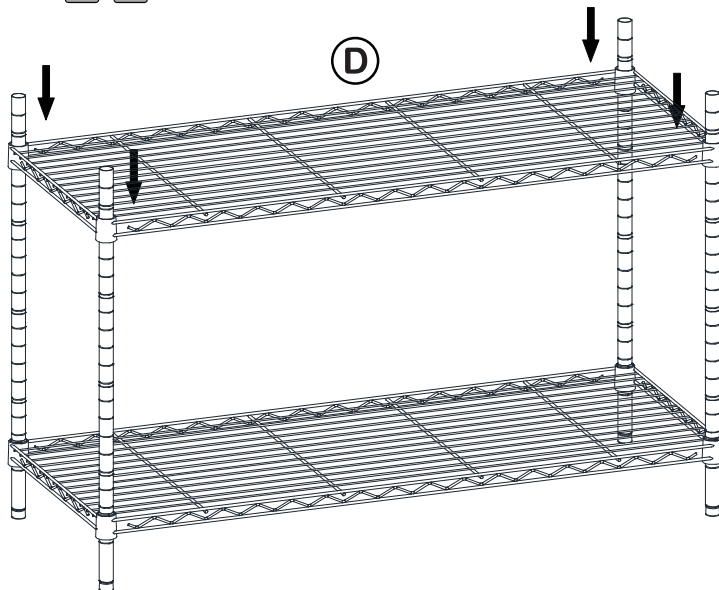
Rest shelf (D) on its side, then insert the bottom poles (A) through the corner holes of the shelf (D).



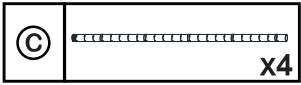
Turn assembly upright and push the shelf (D) firmly onto the tapered locks (E).
Note: Make sure the lip of shelf (D) is facing down and the levelers (F) on bottom poles (A) are on the floor.



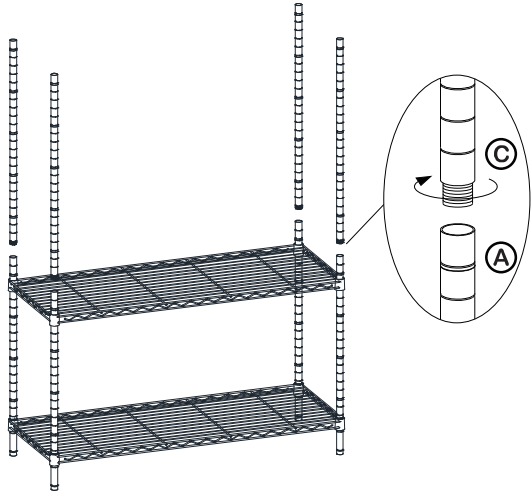
Repeat steps 1 2 for the **second** shelf (D).



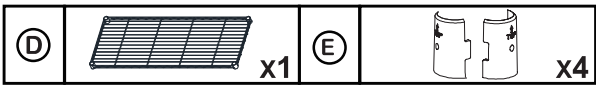
4



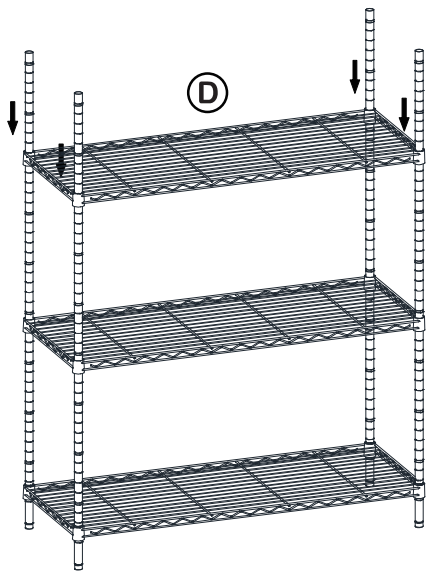
Screw middle pole (C) onto bottom pole(A), hand tighten.



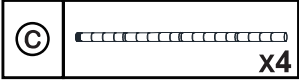
5



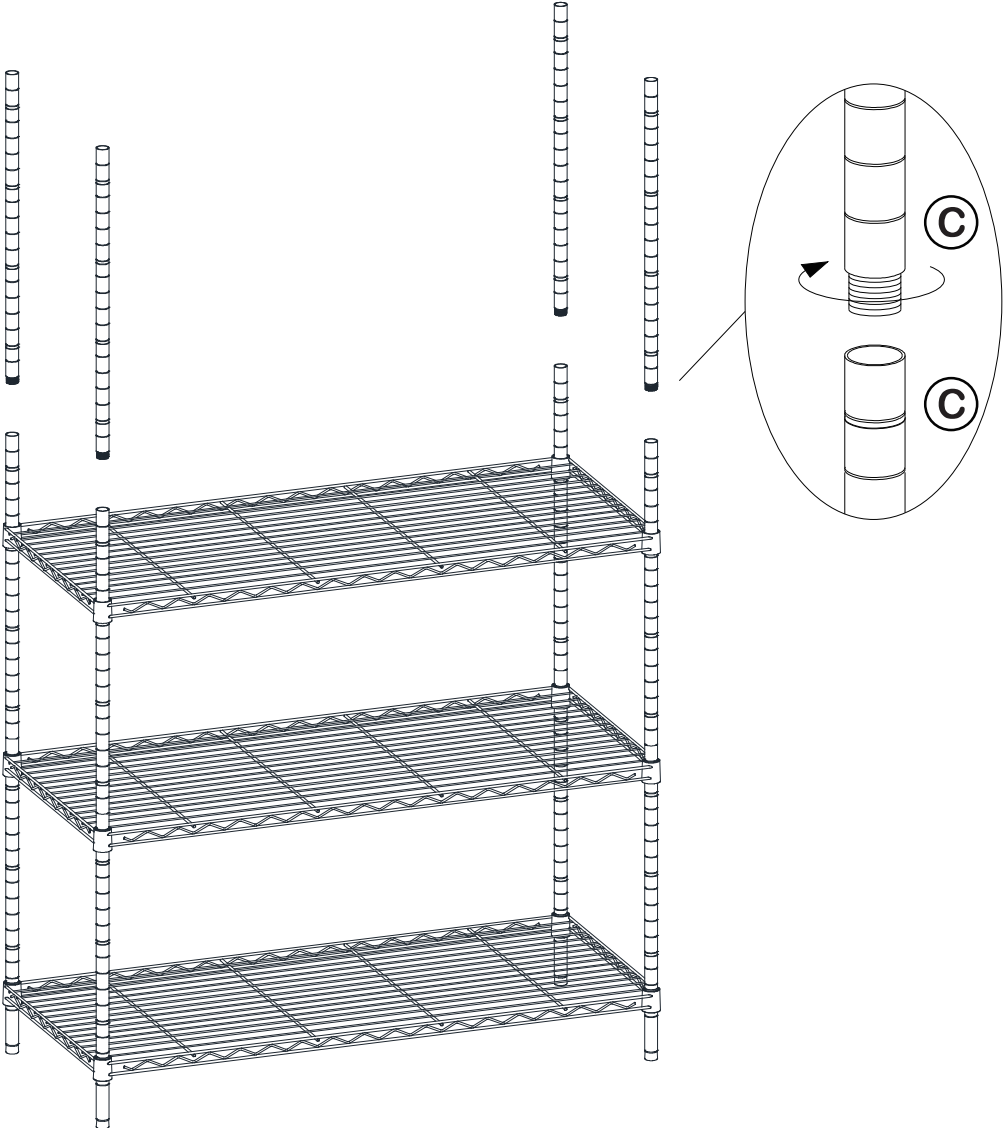
Repeat steps 1 2 for the **third** shelf (D).



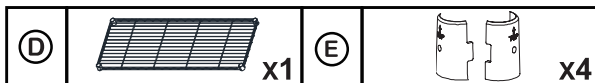
6



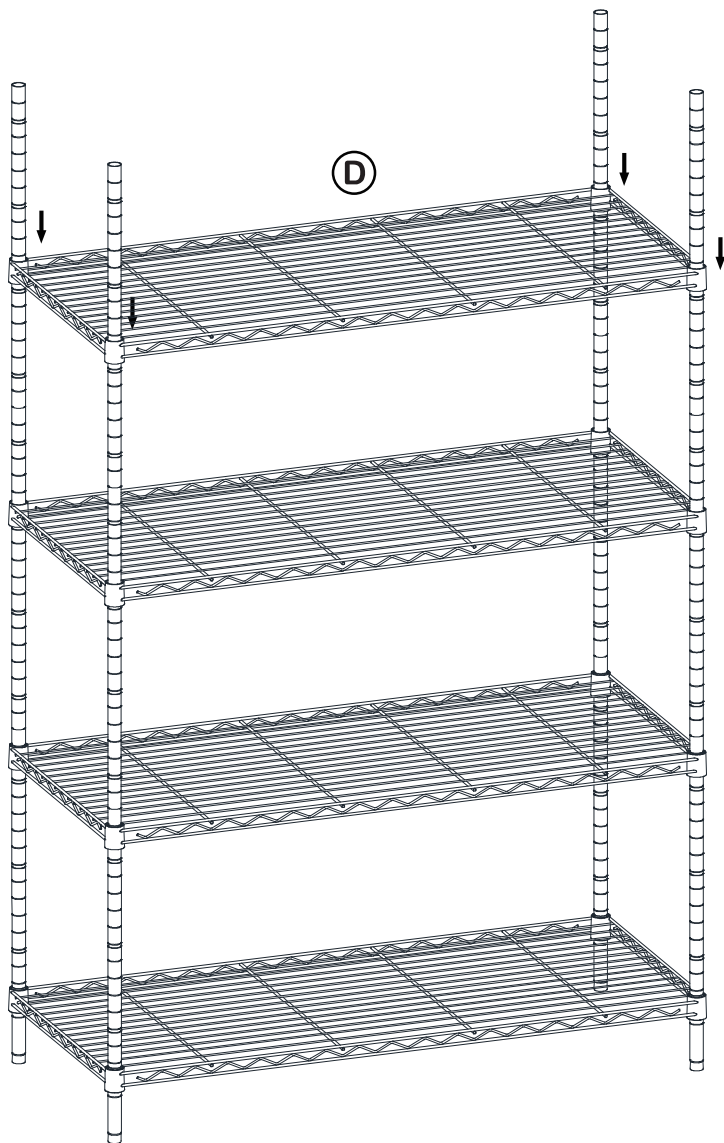
Screw middle pole (C) onto middle pole (C), hand tighten.



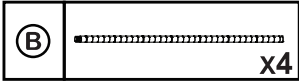
7



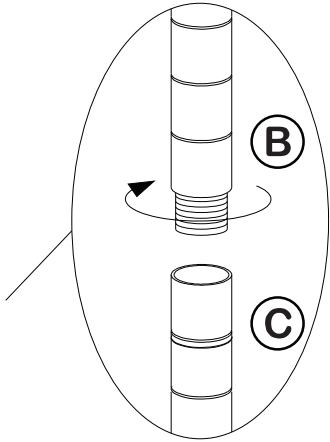
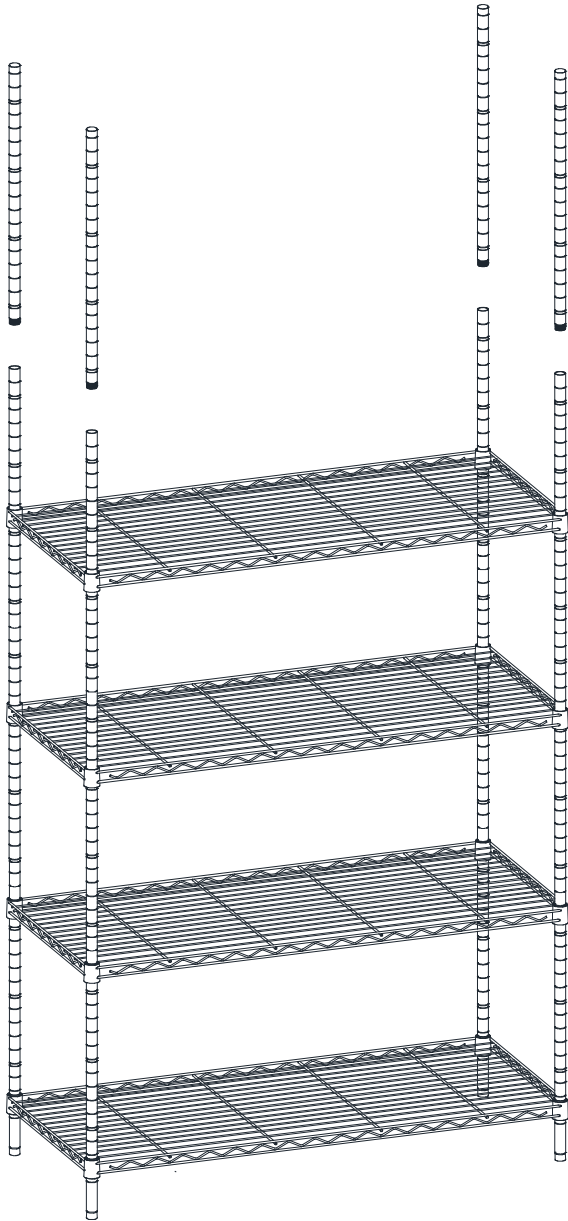
Repeat steps **1** **2** for the **fourth** shelf (D).



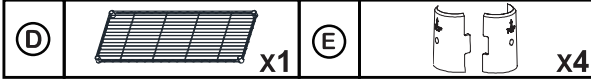
8



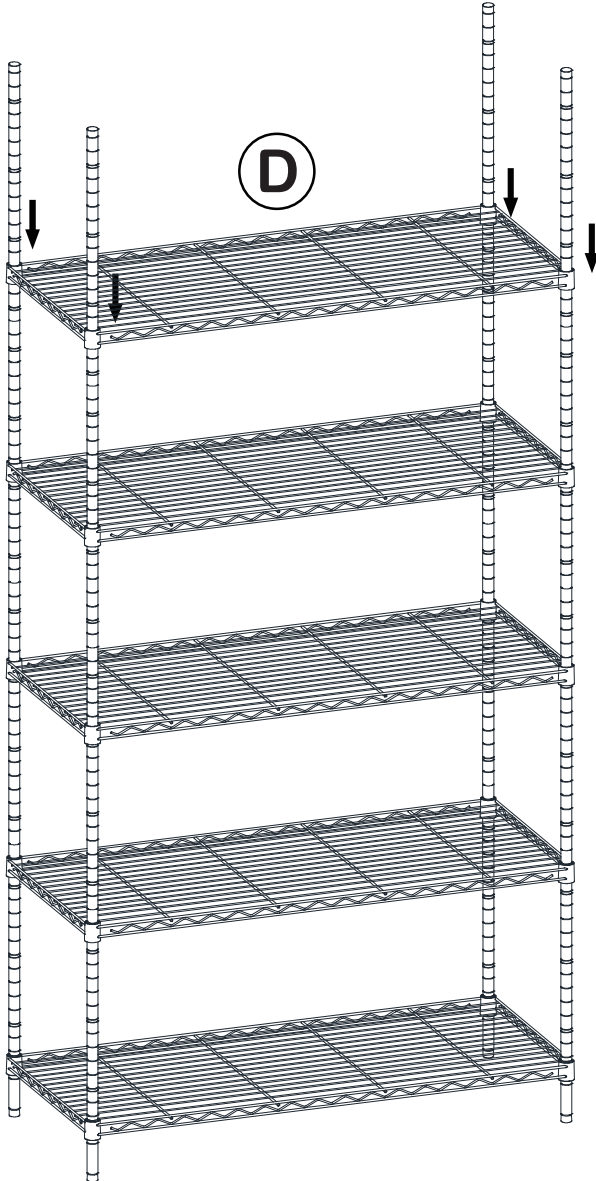
Screw top pole (B) onto middle pole (C), hand tighten



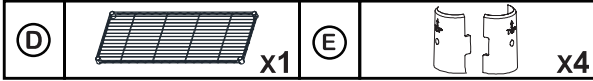
9



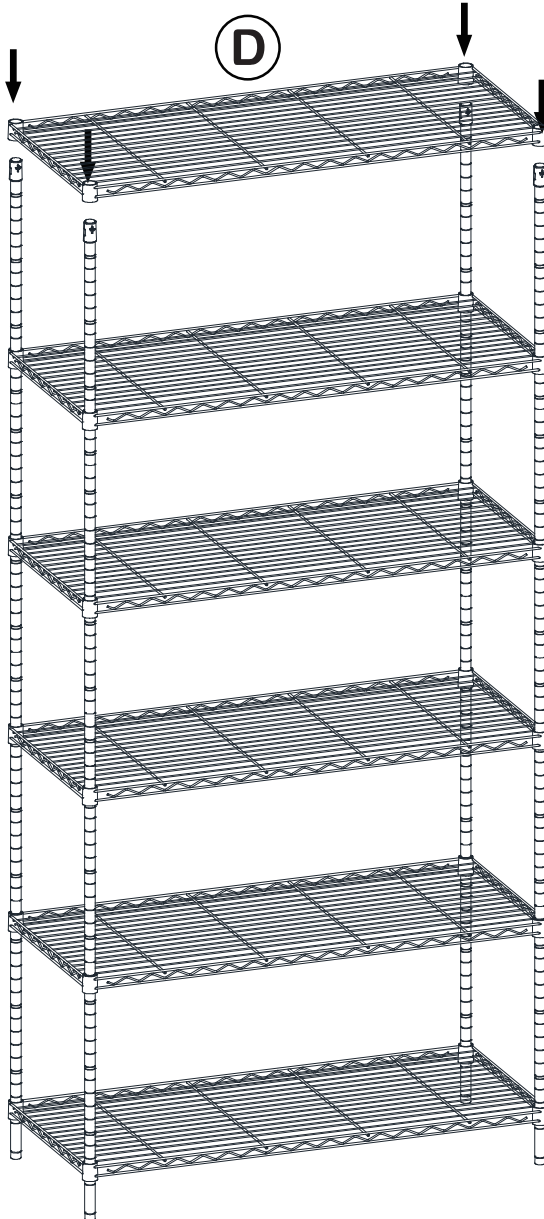
Repeat steps **1** **2** for the **fifth** shelf(D)



10



Repeat steps **1** **2** for the **sixth** shelf (D).

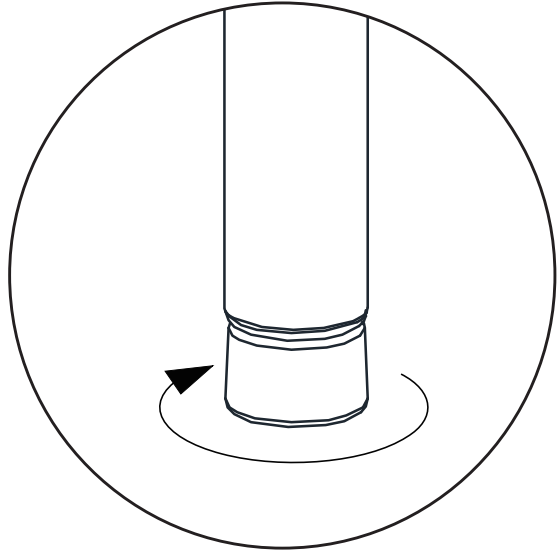


11

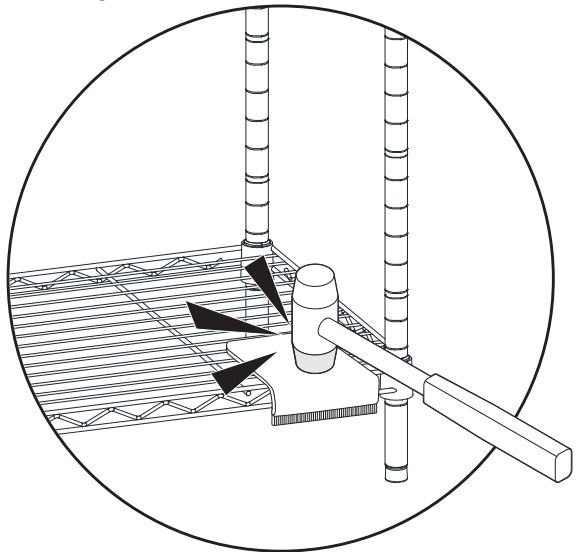
After installation:

If you find that the shelf is wobbly or unstable after installation, please make the following two adjustments until the shelf is stable.

1. Adjust the feet levelers (F) to ensure the shelving unit is level and balanced.



2. Put a piece of cloth on the shelf and gently tap its corner with a **rubber mallet (NOT INCLUDED)**, embedding the holes of shelf into the tapered locks (E) as much as possible to prevent wobbling.

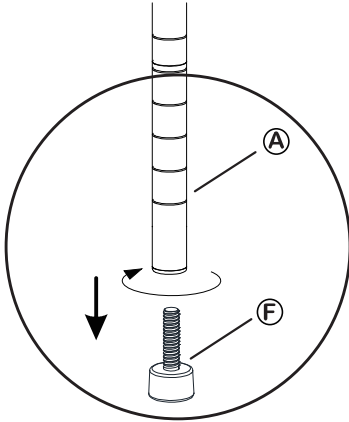


12

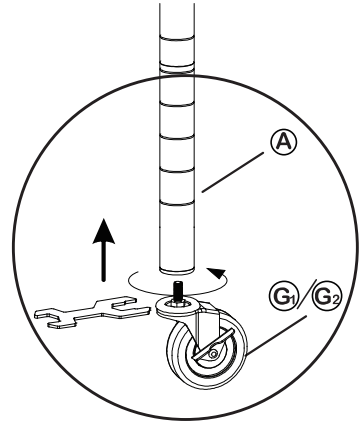


WHEELS ON

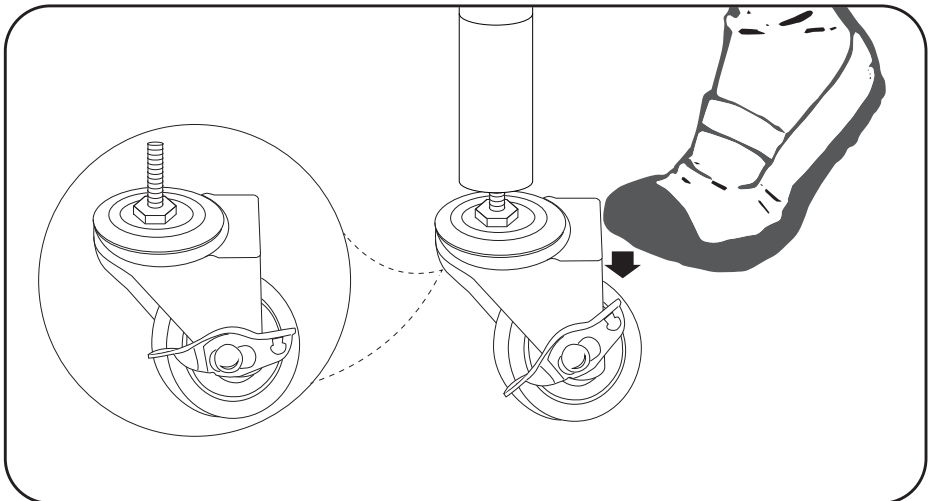
If no mobility is needed, skip the wheels to preserve load capacity.



1. Remove the Foot Levelers

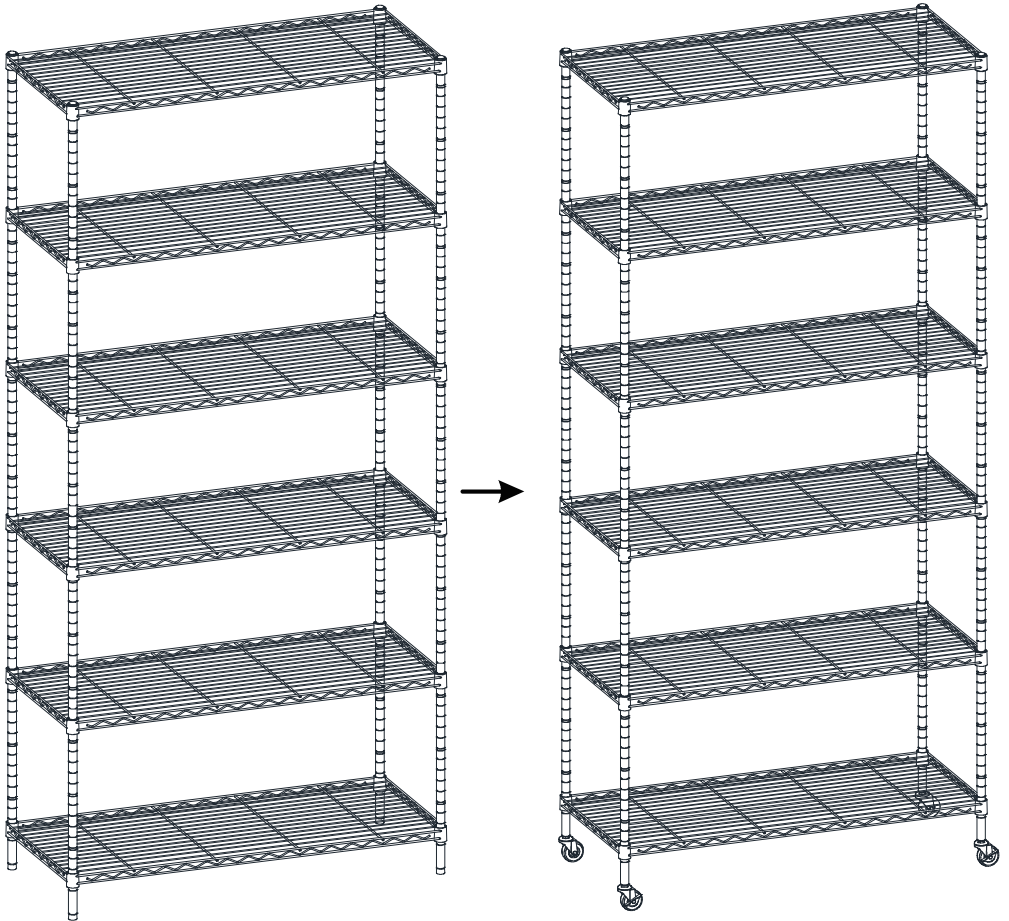


2. Install the Wheels with Wrench



3. Lock the wheel with foot.

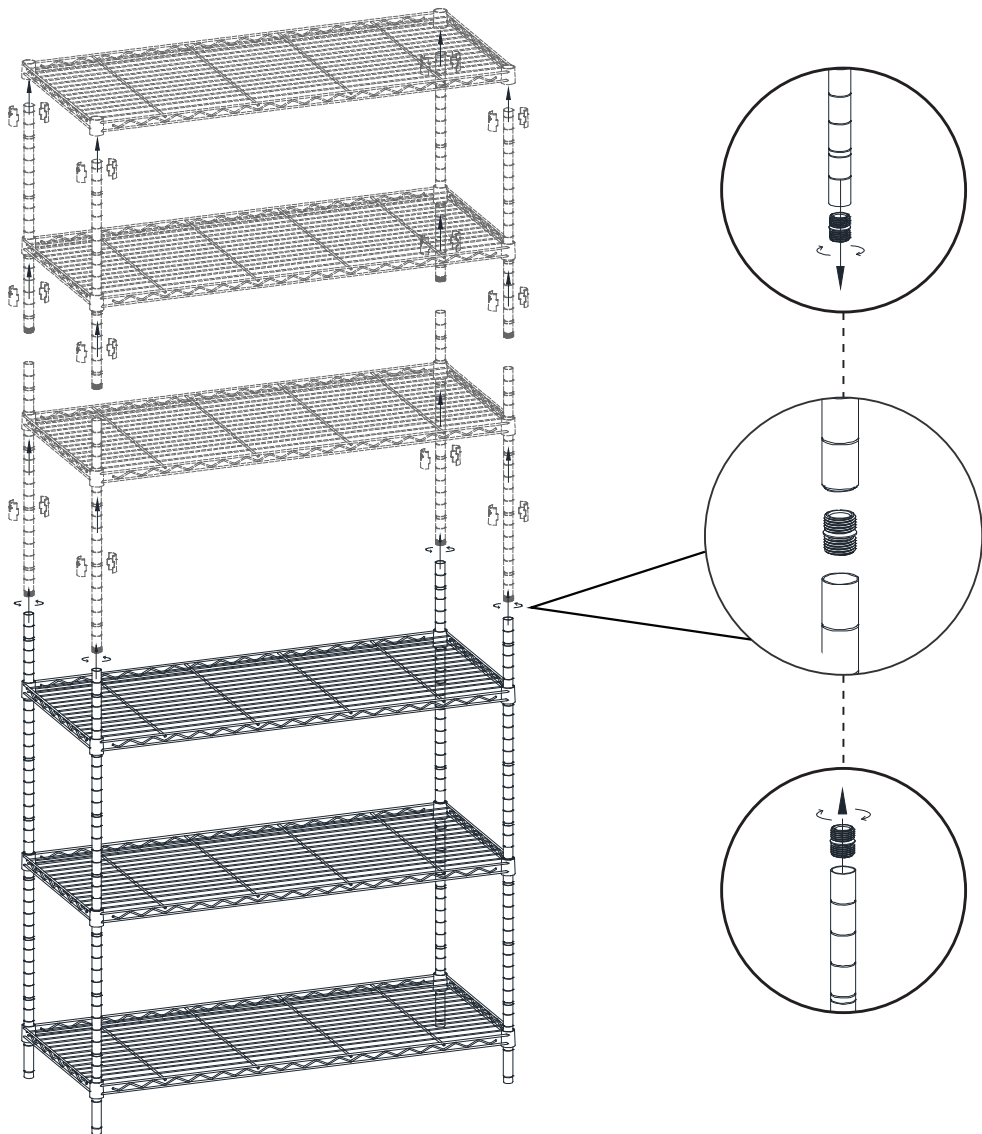
13



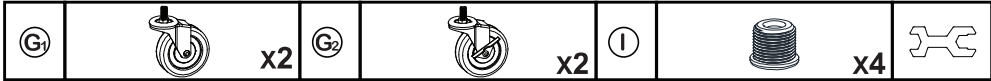
This shelf could also be disassembled into TWO separate units for multipurpose usage.

14 Transform one unit into two separate units if needed.

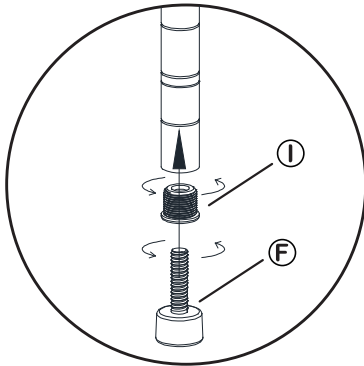
Remember: Screw out connector from, either lower end of the upper pole, or upper end of the lower pole, which end the connector is left on.
(Please use pliers or wrenches if you want to disassemble the connectors.)



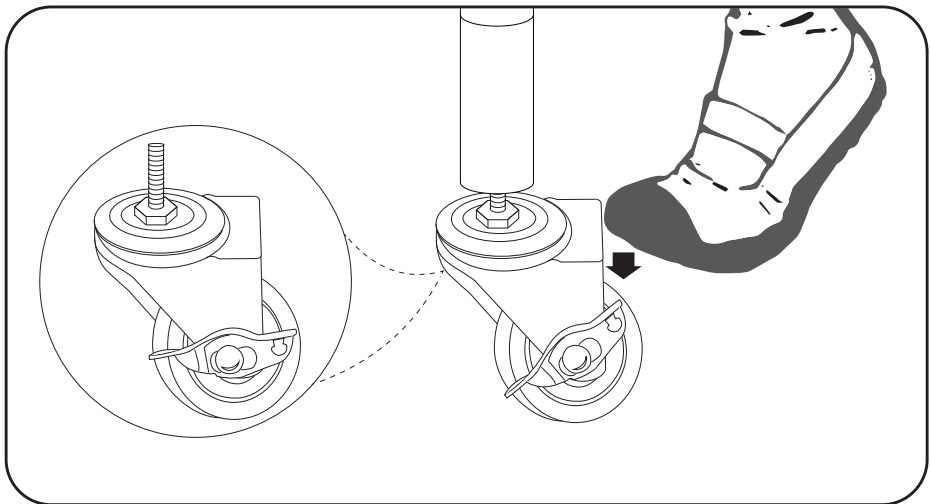
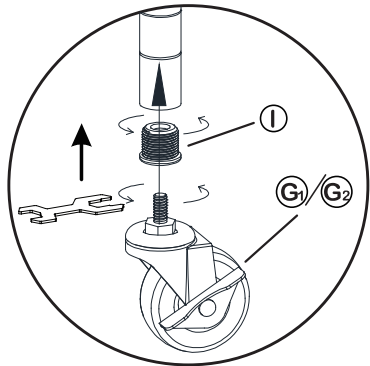
15



Screw in base stopper to the upper pole. Then choose levelers or wheels to connect.

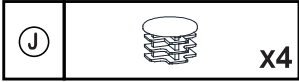


or

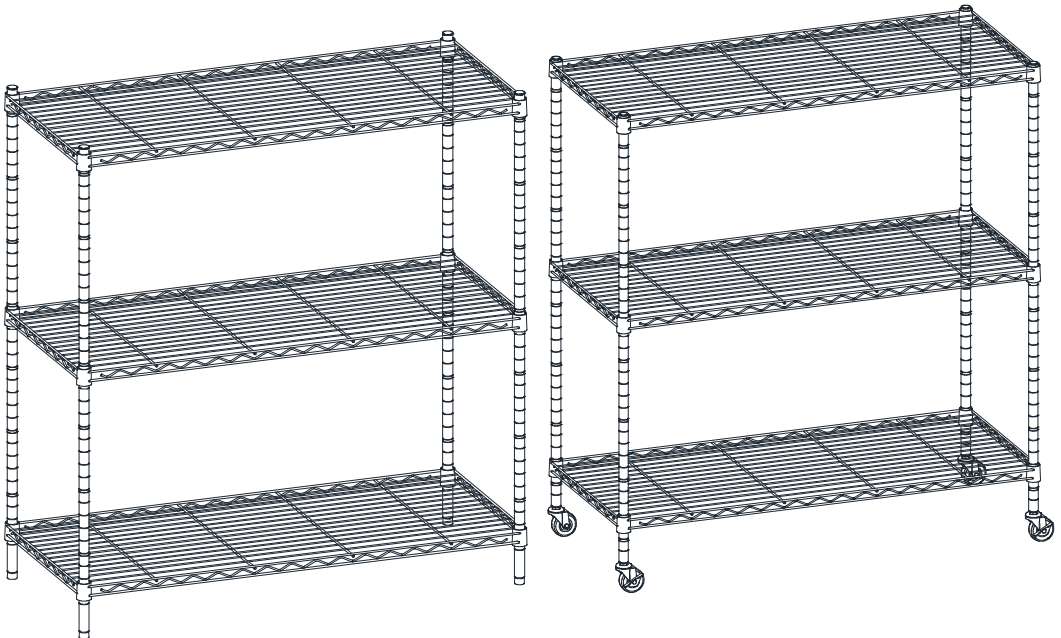
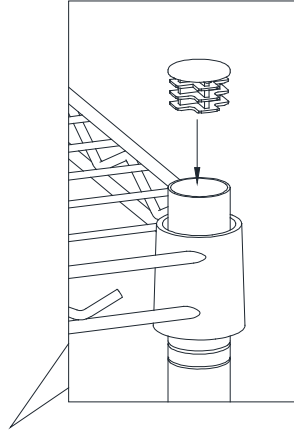


Lock the wheel with foot.

16



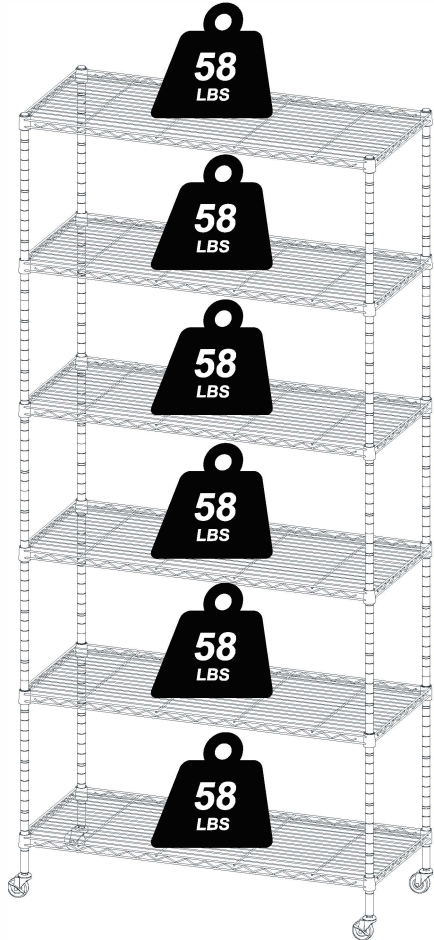
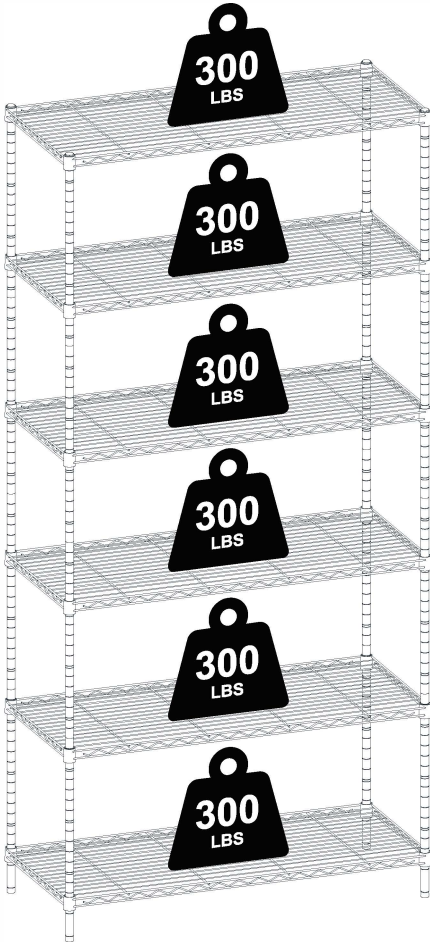
Put on top cap to the lower pole.



Weight Capacity

- With feet levelers installed: The maximum weight capacity is 1800 lbs, provided the weight is evenly distributed across each shelf.

- With wheels installed: The maximum weight capacity is 350 lbs at static.



FINISH !!!