



# LAVATORY FAUCET

- **Luna Collection**
- **Two-Handle Widespread Deck Mount**
- **3-Hole Installation**
- **6" to 10" Centers**

## STANDARD SPECIFICATIONS

- Ceramic disc cartridge
- Metal pop-up assembly
- Copper tube inlet with 1/2" male NPSM connection
- Solid brass waterway
- 1.2gpm max @ 60psi

## FINISHES INCLUDE

- Chrome (UF55810)
- Brushed nickel (UF55813)
- Oil rubbed bronze (UF55815)

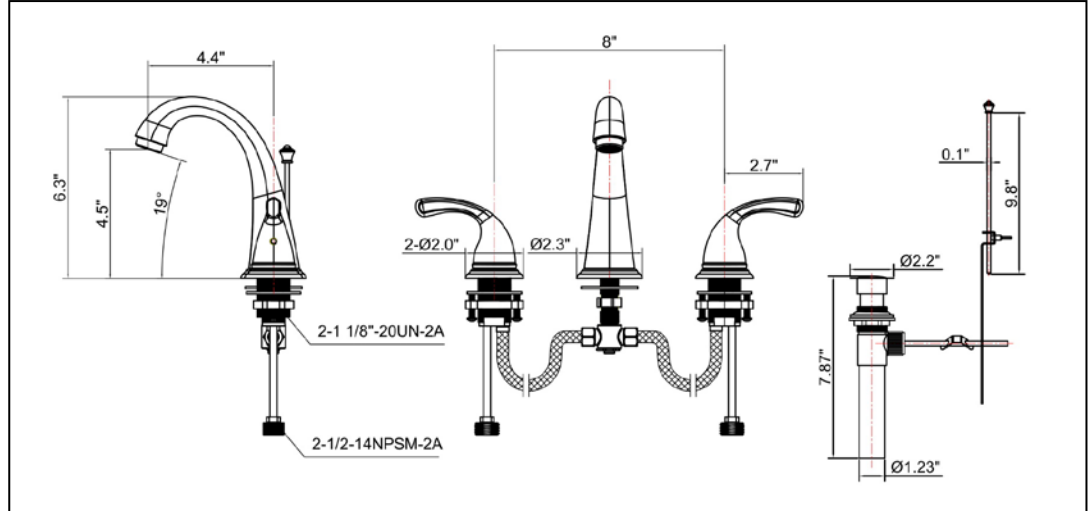


## WARRANTY

- Limited lifetime warranty on workmanship and materials to the original purchaser

## COMPLIES WITH

- NSF 61-9
- ANSI/ASME A112.18.1
- CSA B125.1
- IAPMO/UPC/cUPC
- AB1953
- CEC



tel. 888-OK-ULTRA (658-5872) • fax. 949-225-6099 • <http://www.ultrafaucets.com>

*This specification is provided for reference only. Ultra Faucets reserves the right to modify specifications and materials without notice or obligation.*