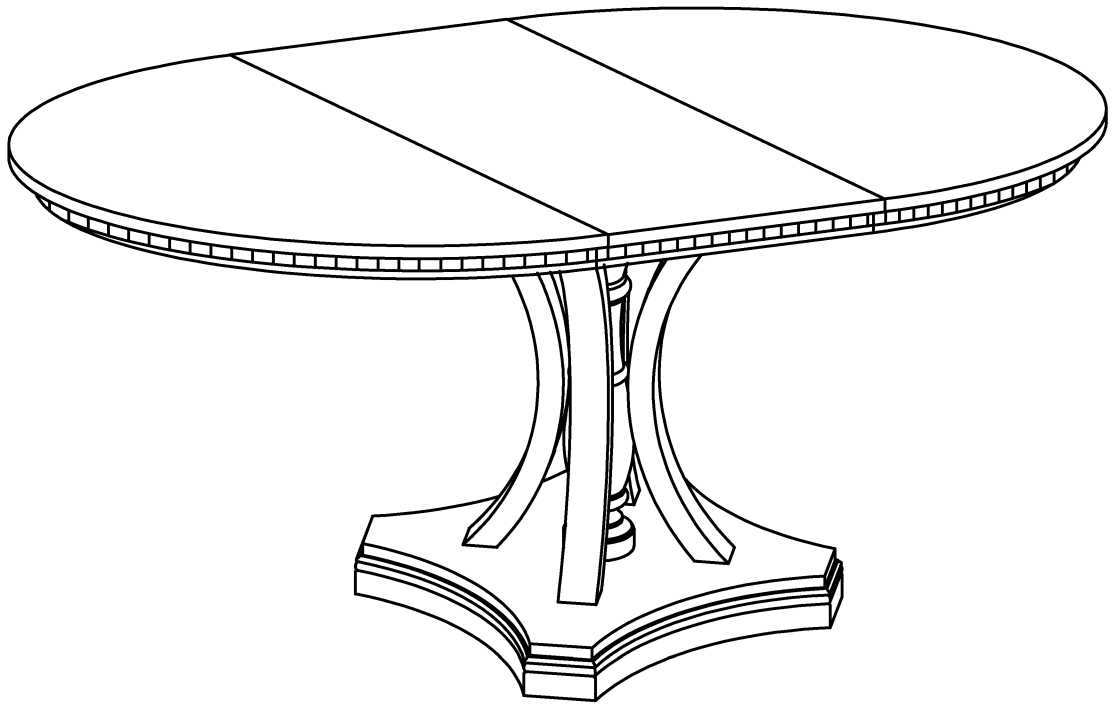


ASSEMBLY INSTRUCTION

Dining Table



ASSEMBLY INSTRUCTION

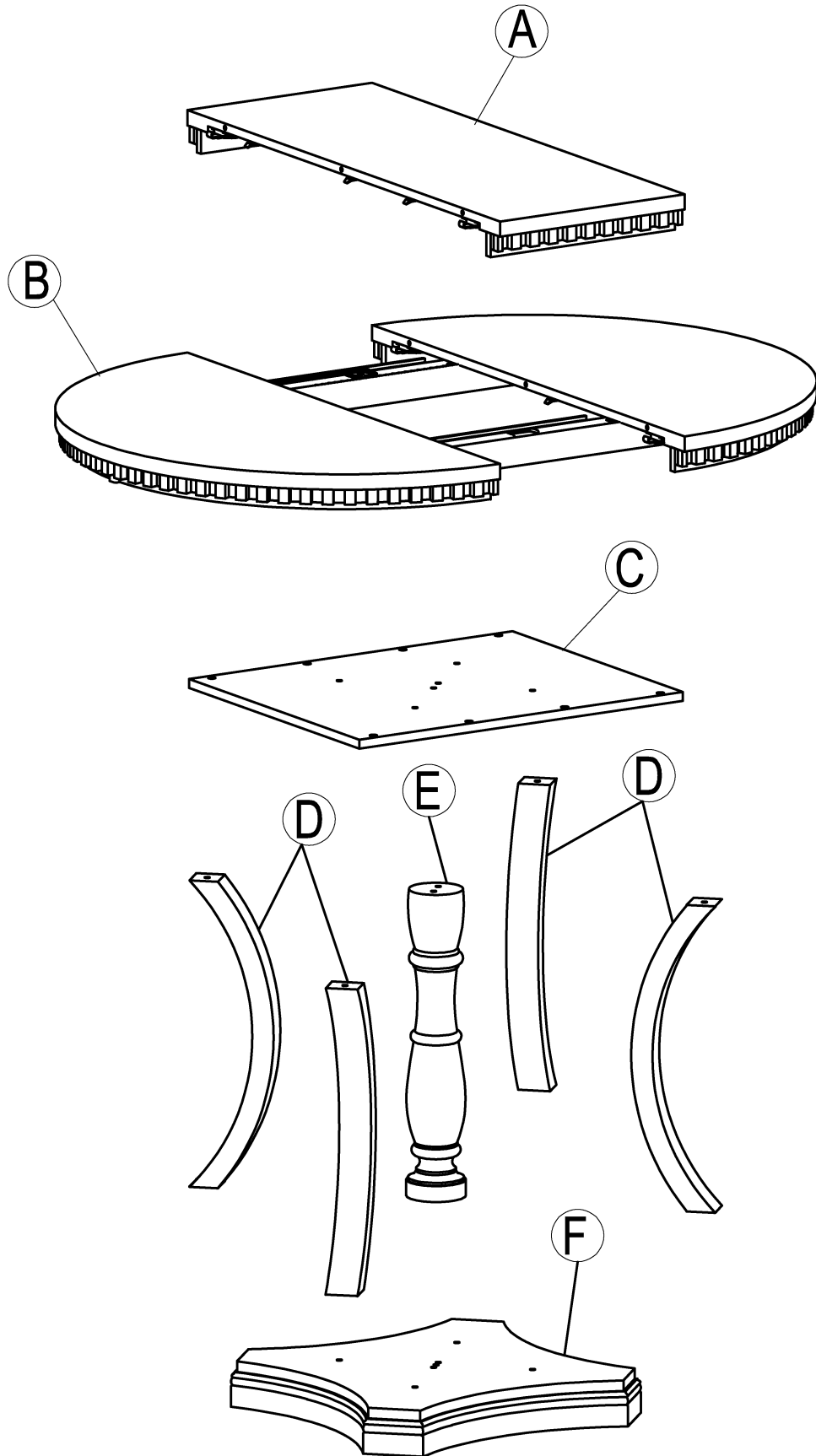
Please read these instructions fully before starting assembly:

1. Place all wooden parts on a clean and smooth surface such as a rug or carpet to avoid scratching the parts.
2. Kindly follow the assembly instructions step by step.
3. Do not tighten all screws and bolts until the table is fully assembled.
4. Unscrew the protective plastique supports from the metal insert of the table legs before assembly.
5. Parts of the assembly will be easier with 2 people.

Care and maintenance:

Only clean using a damp cloth and mild detergent, do not use bleach or abrasive cleaners.

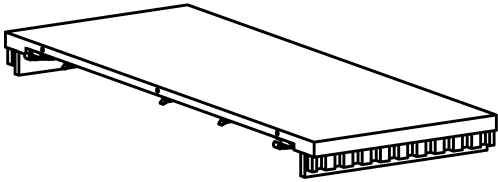
ASSEMBLY INSTRUCTION



ASSEMBLY INSTRUCTION

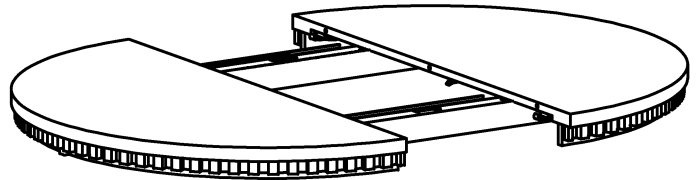
Part List

(A)



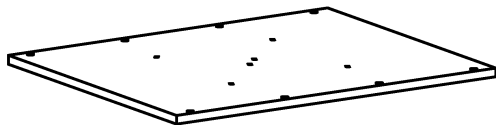
MID-SECTION TABLE TOP (1pc)

(B)



SIDE-SECTION TABLE TOP (1pc)

(C)



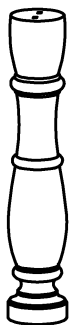
UPPER PANEL (1pc)

(D)



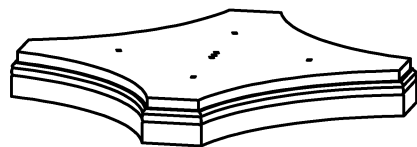
CURVED TABLE LEG (4pcs)

(E)



CENTER SUPPORT LEG (1 pc)

(F)

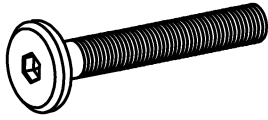


BOTTOM BOARD (1pc)

ASSEMBLY INSTRUCTION

Hardware List

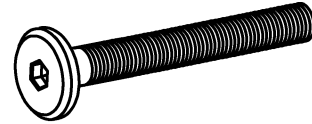
①



Ø 5/16" x 45 mm

BOLT (14 pcs)

②



Ø 5/16" x 60 mm

BOLT (6 pcs)

③



Ø5/16" x 13 mm

LOCK WASHER (20 pcs)

④



Ø5/16" x 19 x 2 mm

FLAT WASHER (20 pcs)

⑤



4 mm

ALLEN KEY (1 pc)

⑥

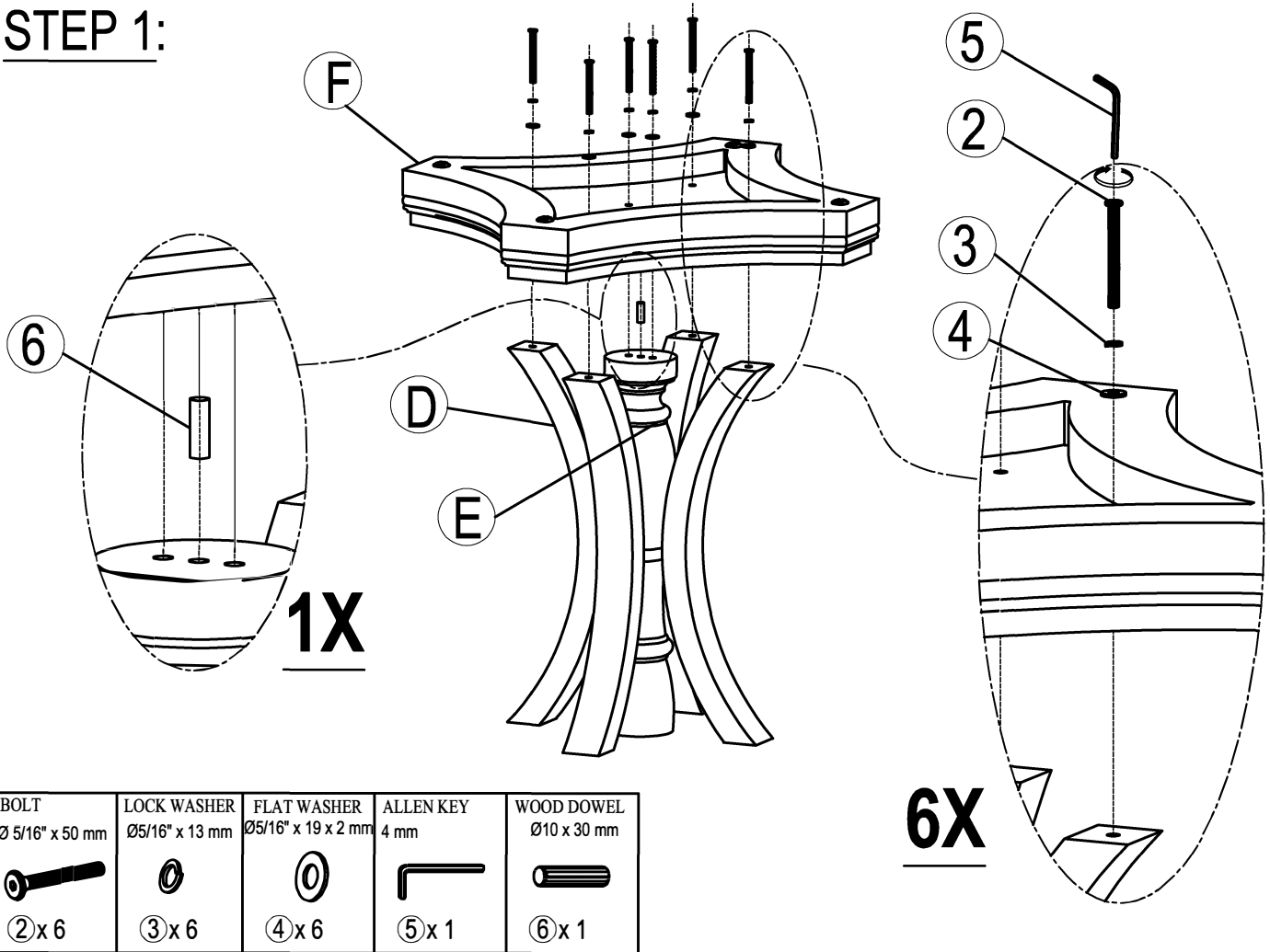





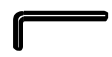

Ø10 x 30 mm

WOOD DOWEL (1pc)

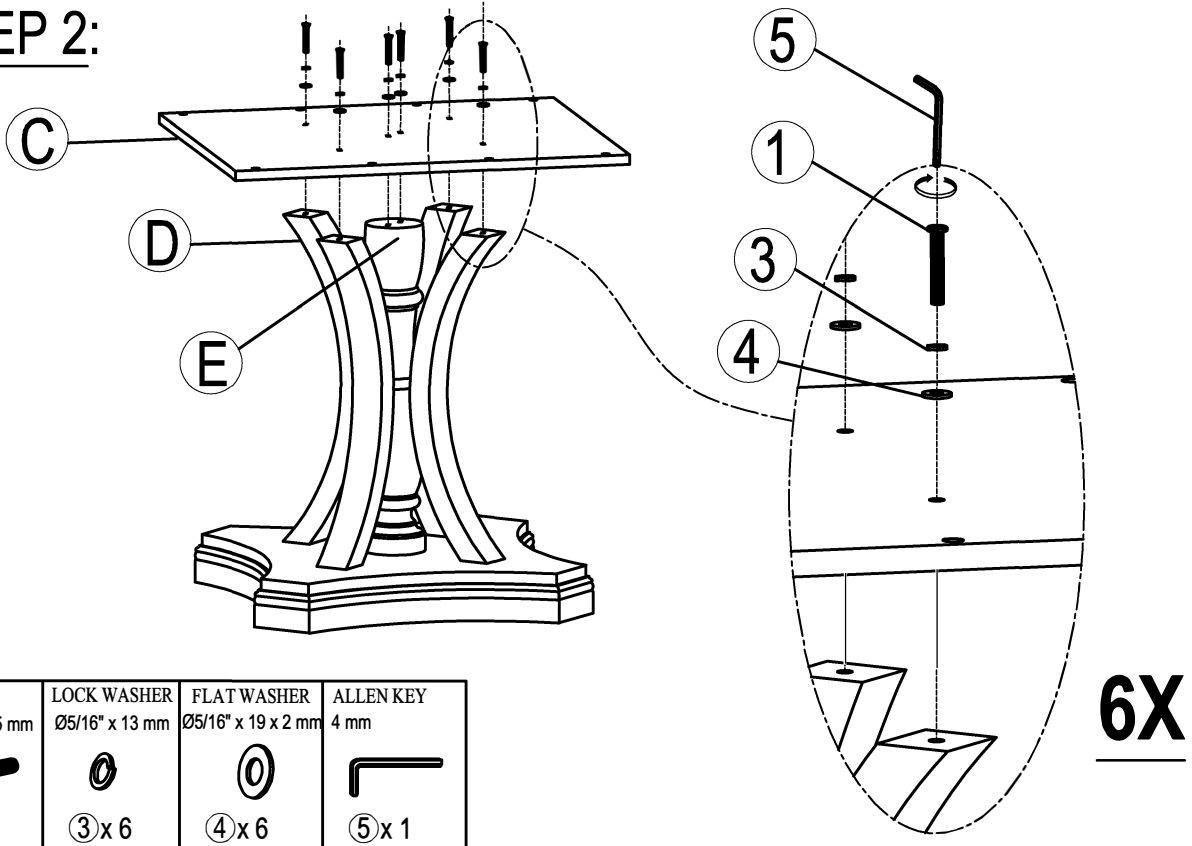
ASSEMBLY INSTRUCTION




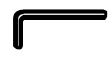
STEP 1:



| BOLT Ø 5/16" x 50 mm | LOCK WASHER Ø5/16" x 13 mm | FLAT WASHER Ø5/16" x 19 x 2 mm | ALLEN KEY 4 mm | WOOD DOWEL Ø10 x 30 mm |
|--|---|---|---|---|
|  |  |  |  |  |
| ②x 6 | ③x 6 | ④x 6 | ⑤x 1 | ⑥x 1 |

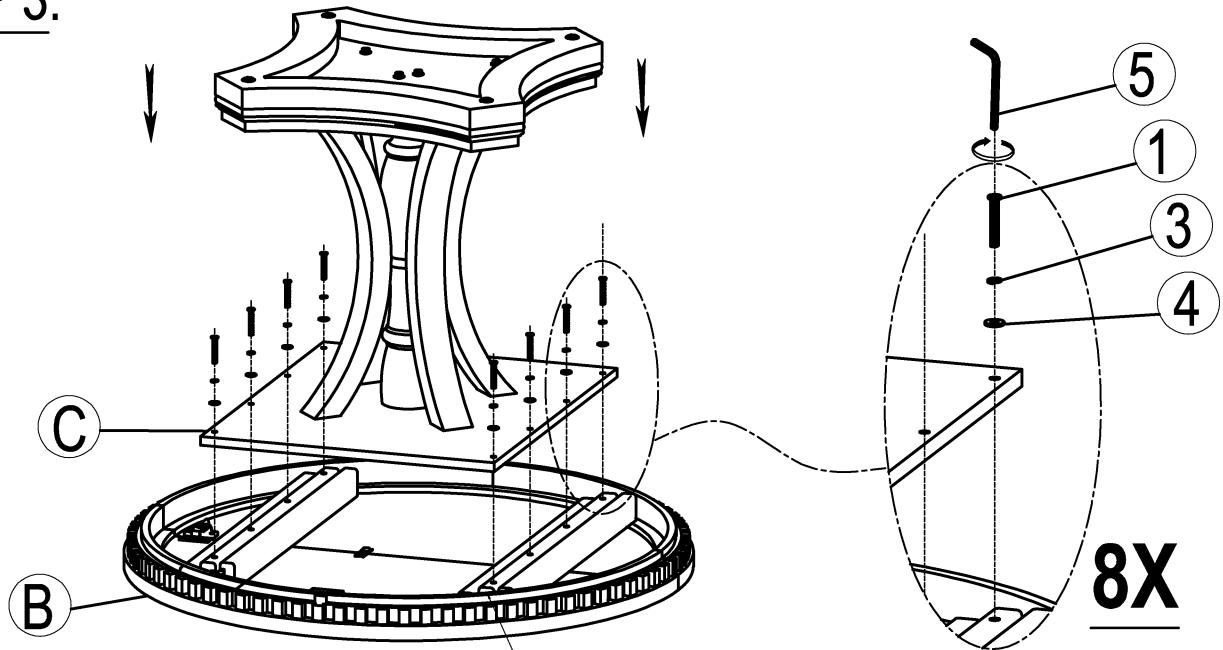
STEP 2:







| BOLT Ø 5/16" x 45 mm | LOCK WASHER Ø5/16" x 13 mm | FLAT WASHER Ø5/16" x 19 x 2 mm | ALLEN KEY 4 mm |
|--|---|---|---|
|  |  |  |  |
| ①x 6 | ③x 6 | ④x 6 | ⑤x 1 |

ASSEMBLY INSTRUCTION

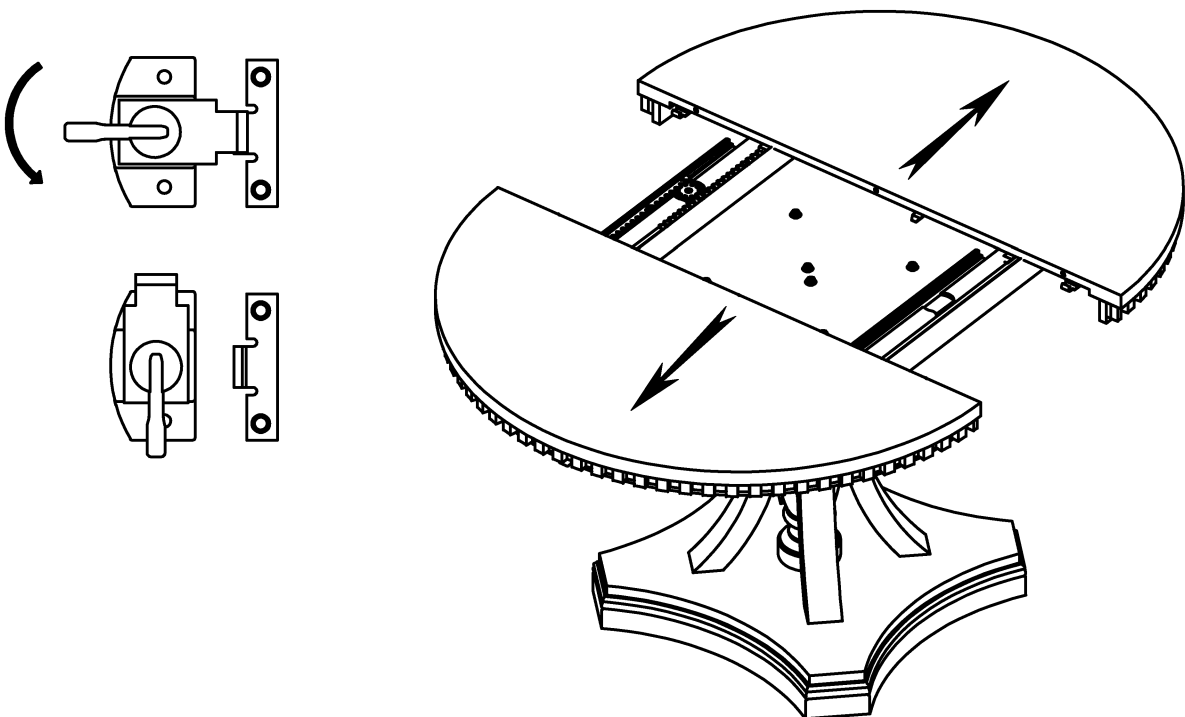
STEP 3:



This part of the slide rail can be moved, if the holes are not aligned during the assembly process please try to move the slide rail to the position shown in the figure end then assemble!

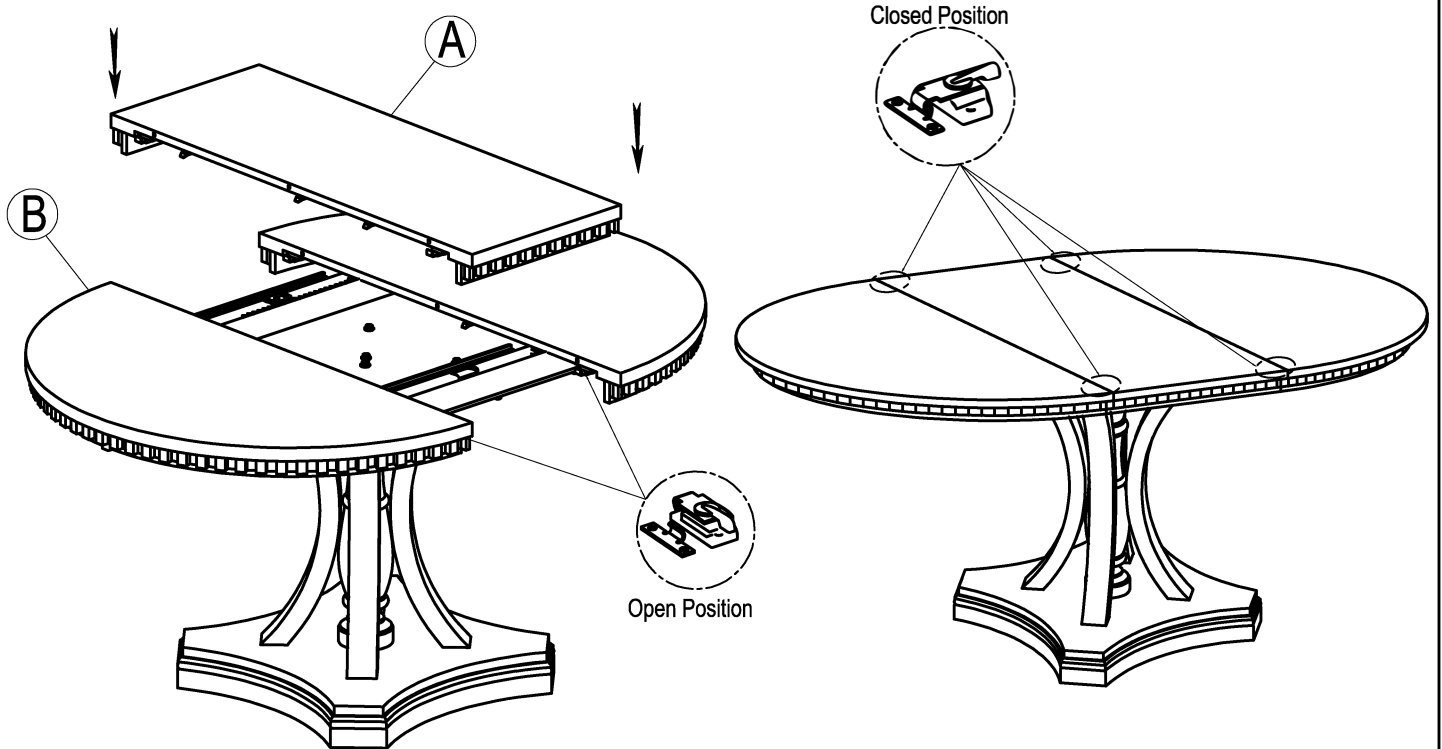
| BOLT | LOCK WASHER | FLAT WASHER | ALLEN KEY |
|--|---|---|---|
| Ø 5/16" x 45 mm | Ø5/16" x 13 mm | Ø5/16" x 19 x 2 mm | 4 mm |
|  |  |  |  |
| ① x 8 | ③ x 8 | ④ x 8 | ⑤ x 1 |

STEP 4:



ASSEMBLY INSTRUCTION

STEP 5:



COMPLETE

