

ASSEMBLY INSTRUCTIONS FURNITURE



Furniture for every stage of life

ASSEMBLY INSTRUCTIONS

ASSEMBLY TIPS:

1. Remove hardware from box and sort by size.
2. Please check to see that all hardware and parts are present prior to start of assembly.
3. Please follow attached instructions in the same sequence as numbered to assure fast & easy assembly.



WARNING!

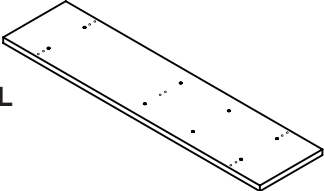
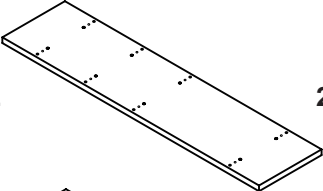
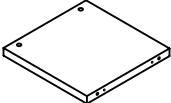
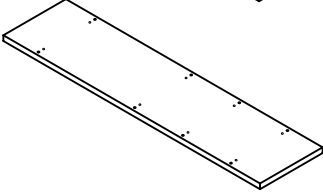
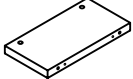
1. Don't attempt to repair or modify parts that are broken or defective. Please contact the store immediately.
2. This product is for home use only and not intended for commercial establishments.



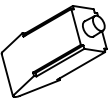

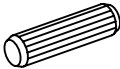

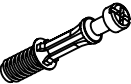


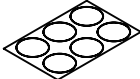
ASSEMBLY TIME

40 MINUTES

PARTS IDENTIFICATION

A	BOTTOM PANEL		1PC	D	CROSS PANEL		2PCS
B	LOWER DIVIDER PANEL		4PCS	E	TOP PANEL		1PC
C	UPPER DIVIDER PANEL		8PCS				

HARDWARE IDENTIFICATION

Z							
NO	DESCRIPTION	FIGURE	Q'TY	NO	DESCRIPTION	FIGURE	Q'TY
1	GLUE 40g		1PC	5	BOLT Ø 9.5x55mm SR		24PCS
2	WOODEN DOWEL Ø 8x30mm		48PCS	6	FOOT 50x50x18mm		5PCS
3	CAM BOLT Ø 7x35.5mm SR		24PCS	7	SCREW FOR FOOT Ø 5x22.5mm BLK		10PCS
4	CAM LOCK Ø 15x12mm SR		24PCS	8	STICKER Ø 20mm		4PCS

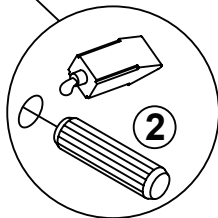
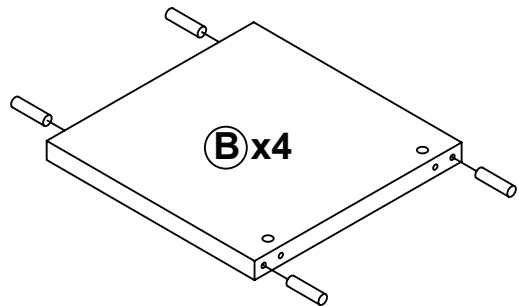
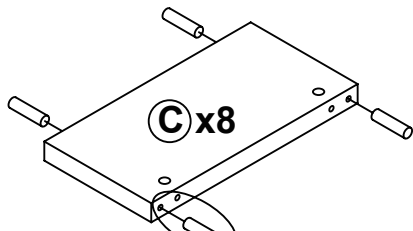
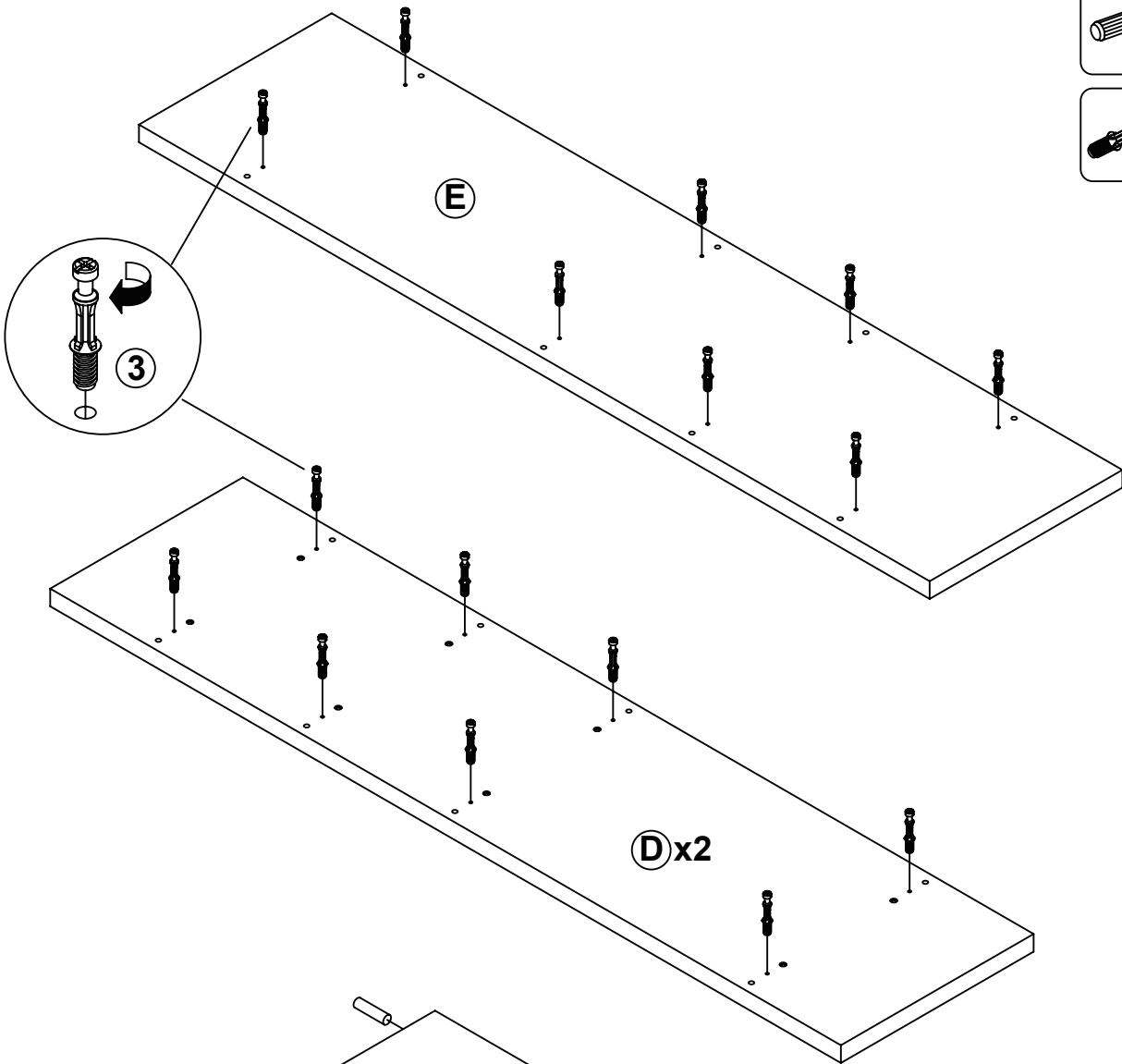
NOTE:

Phillips head screw driver is required in the assembly process; however, manufacturer does not provide this item.

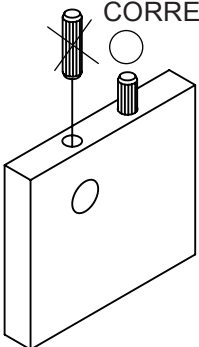
STEP 1

2
x 48

3
x 24

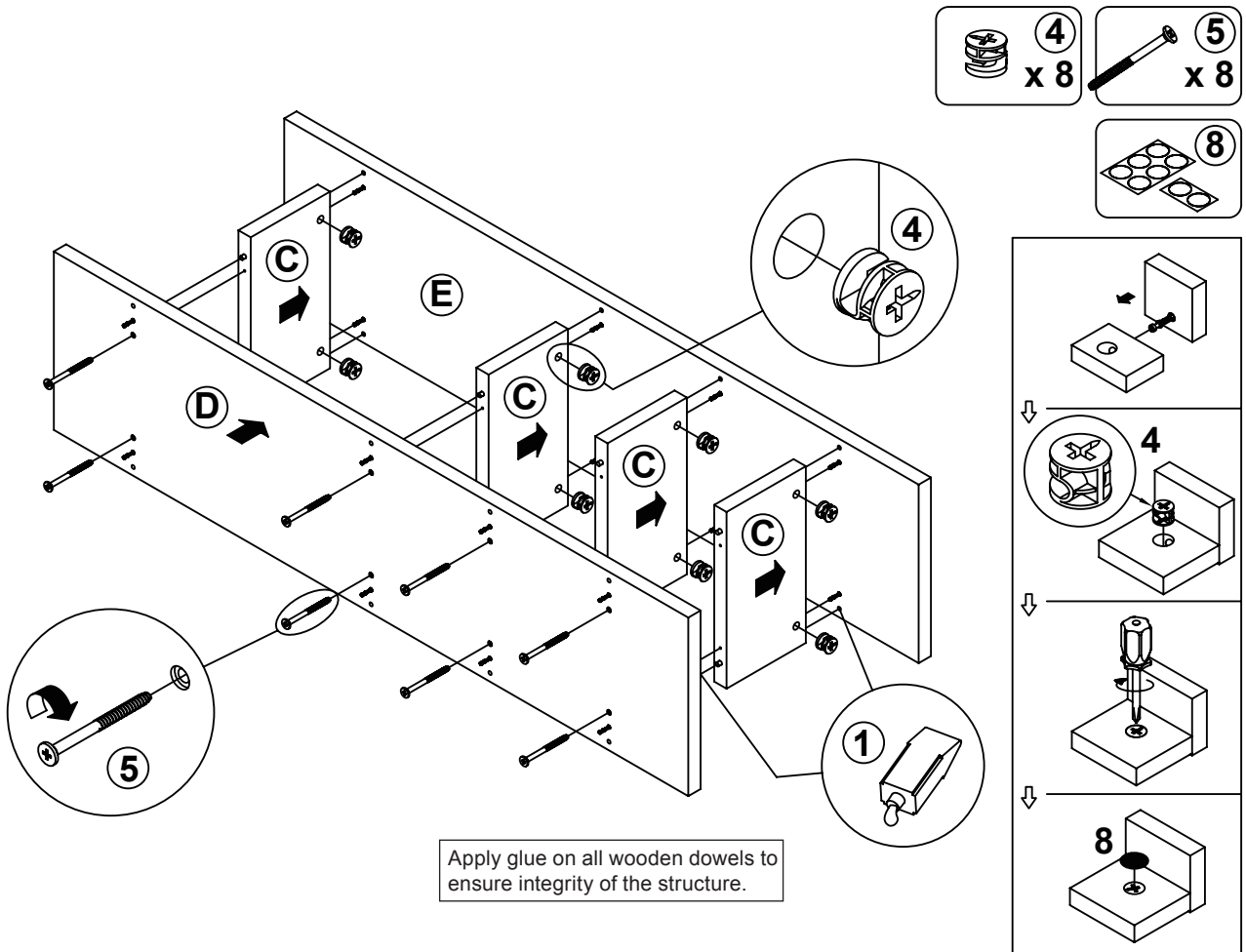


INCORRECT
CORRECT

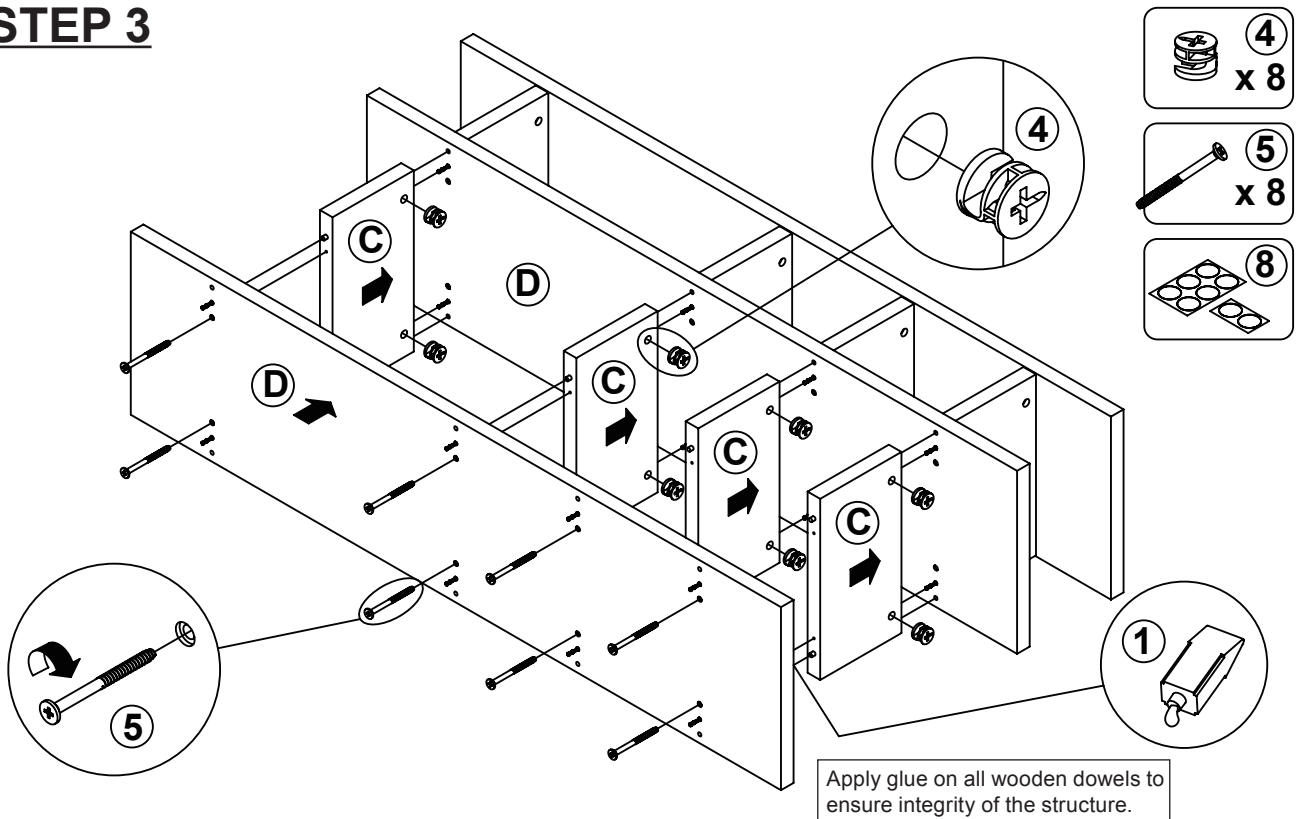


Apply glue on all wooden dowels to ensure integrity of the structure.

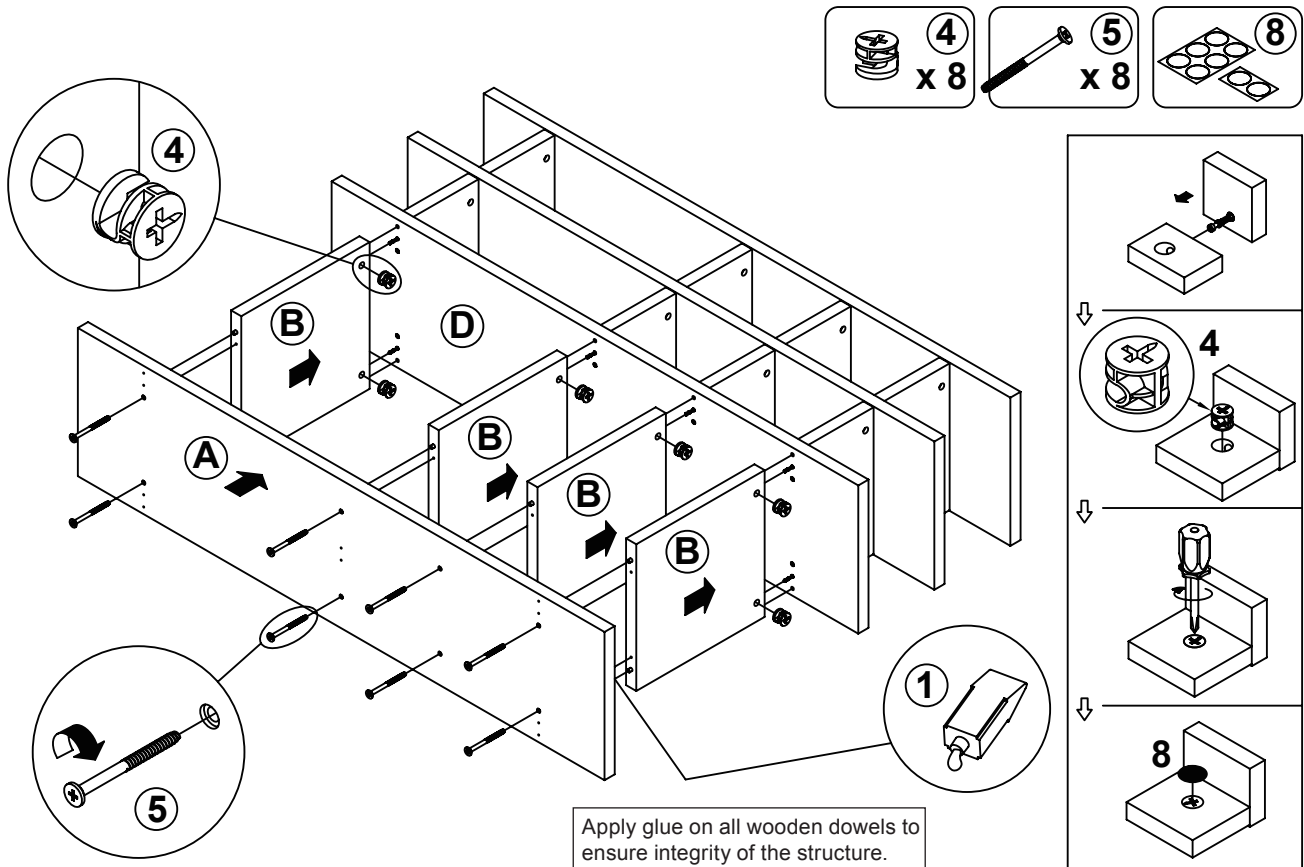
STEP 2



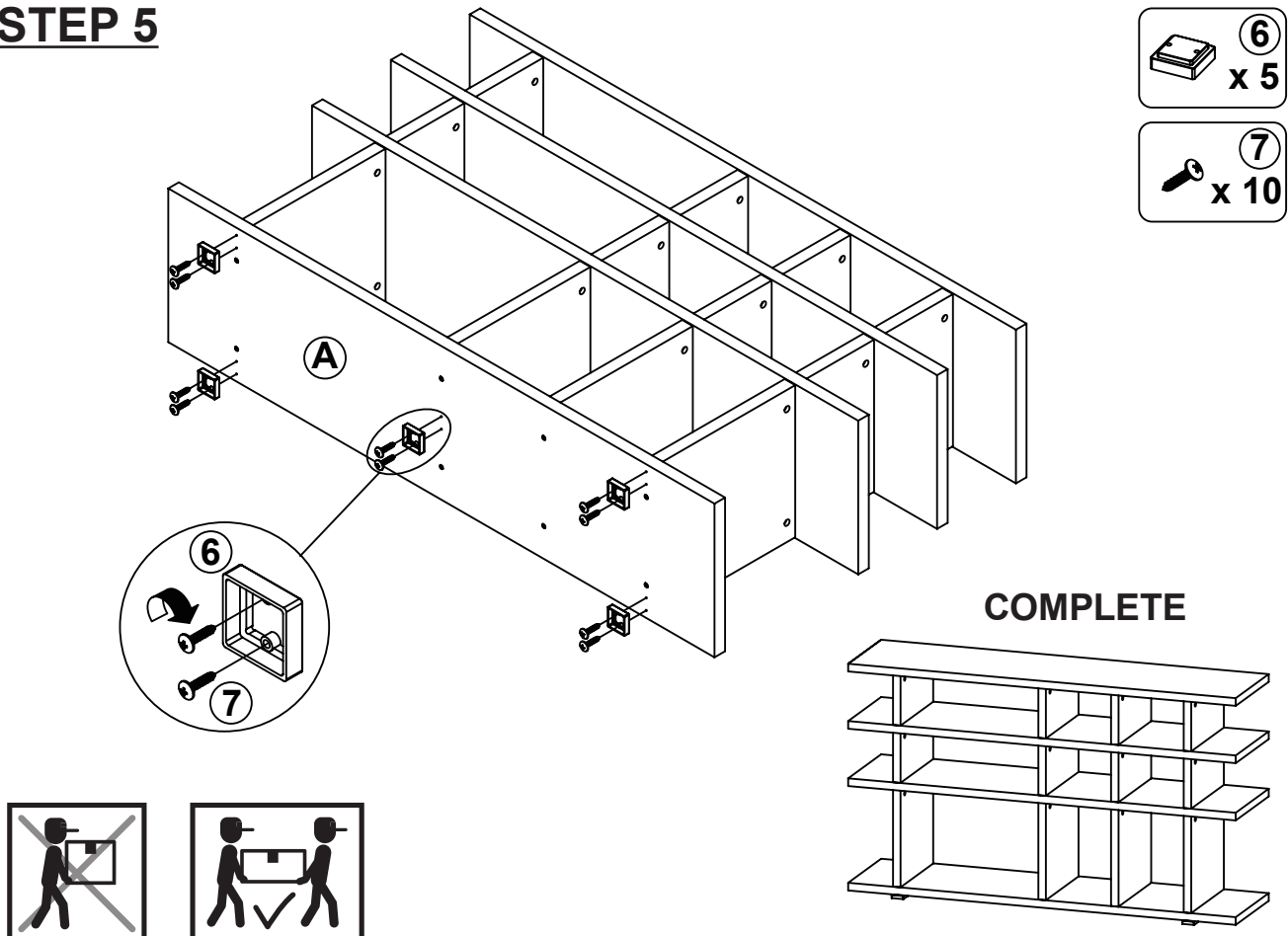
STEP 3

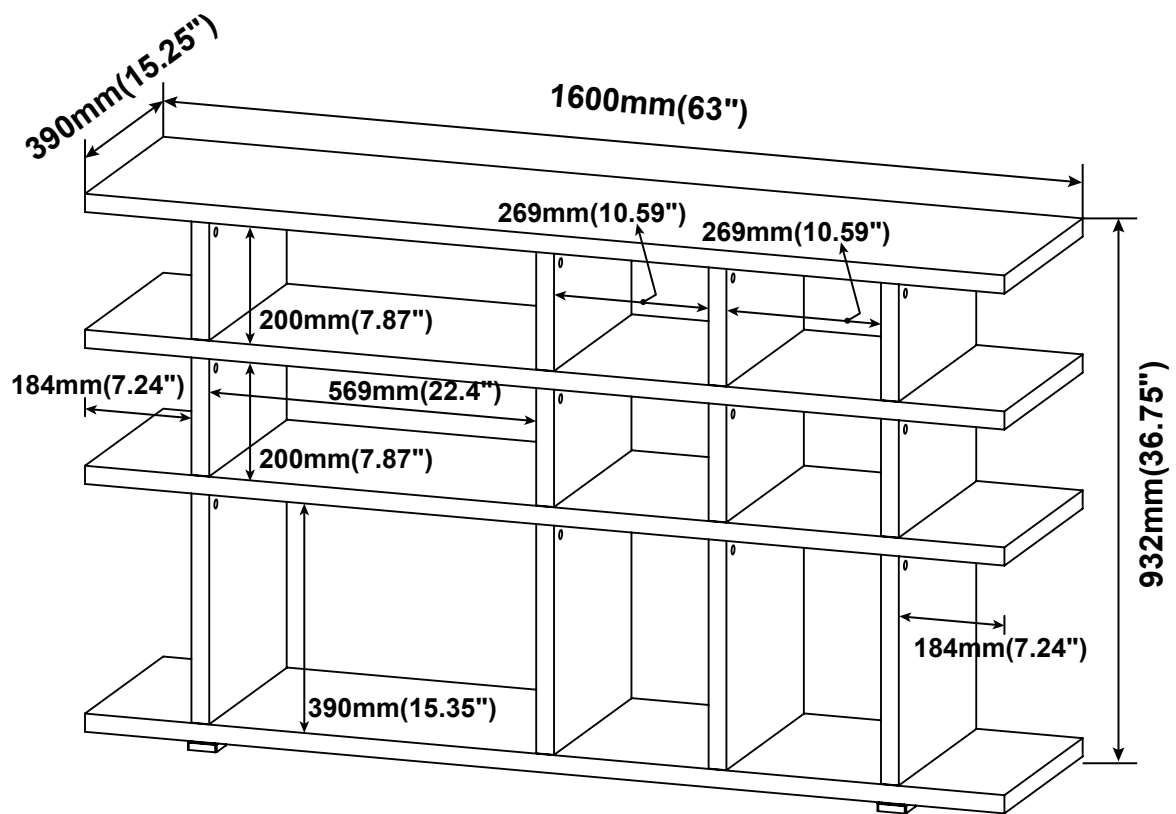


STEP 4



STEP 5





Note : Dimension tolerance $\pm 5\%$

ANTI-TIPPING INSTALLMENT INSTRUCTIONS

FURNITURE TIPPING RESTRAINT

WARNING

Injury may result from tipping furniture.
This restraint may protect against tipping furniture.
Do not allow children to climb on furniture.
This restraint is not a substitute for proper adult supervision.
Failure to detach this restraint before moving the furniture
may result in injury and damage.

1. To attach the anti-tip strap, securely mount one end to the top of the case piece with the 5/8" screw.
2. Position the case piece against the wall in the desired location.
3. Pull the anti-tip strap taut and mark the position of where you will secure the other end on the wall.
4. Drill a 1-1/4" hole in the spot you marked.
5. Tap in plastic wall plug.
6. Fasten anti-tip strap with wall screw provided.

(Please install the anti-tipping kit in the middle of the case piece if only have one set of anti-tipping kit.)

