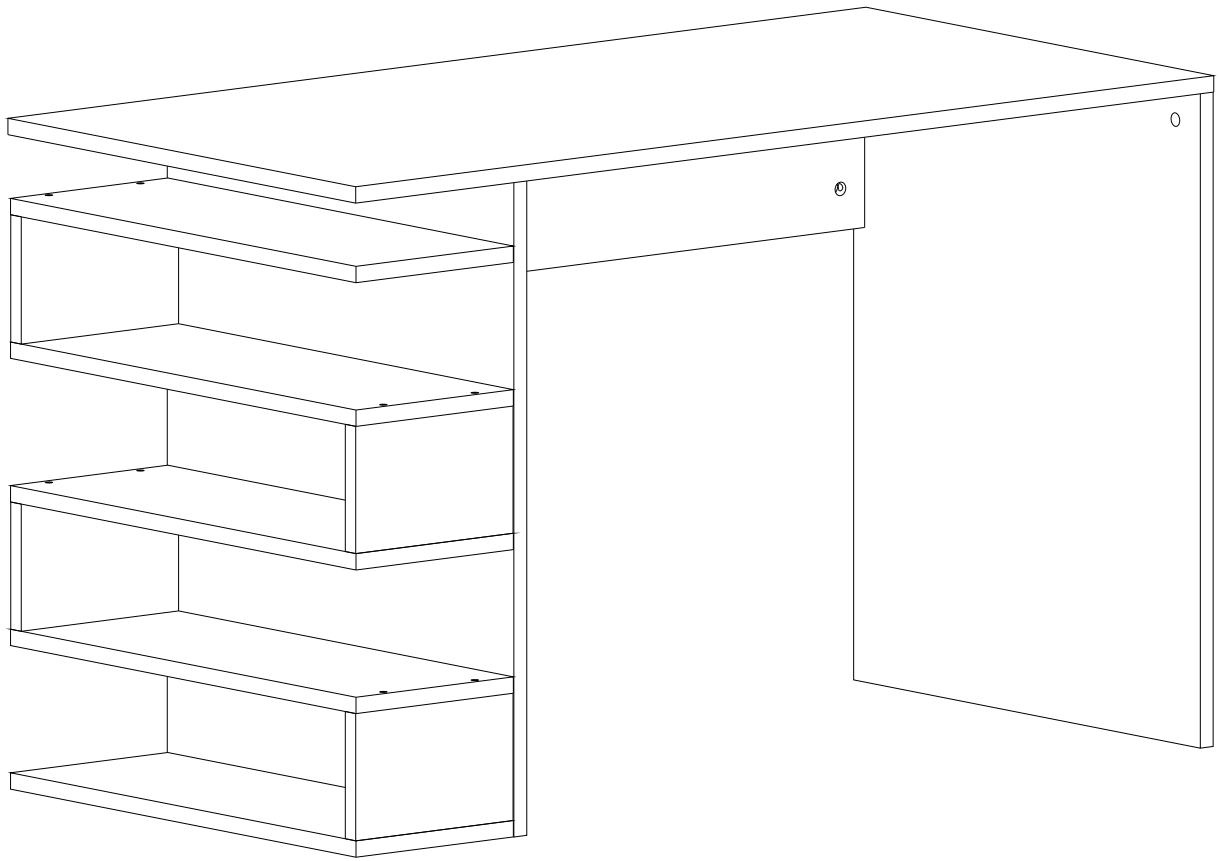
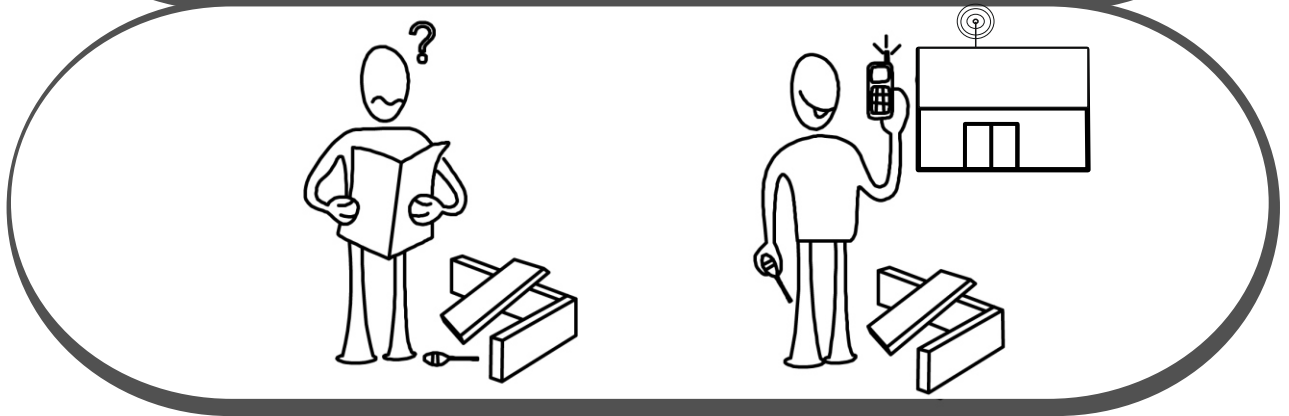
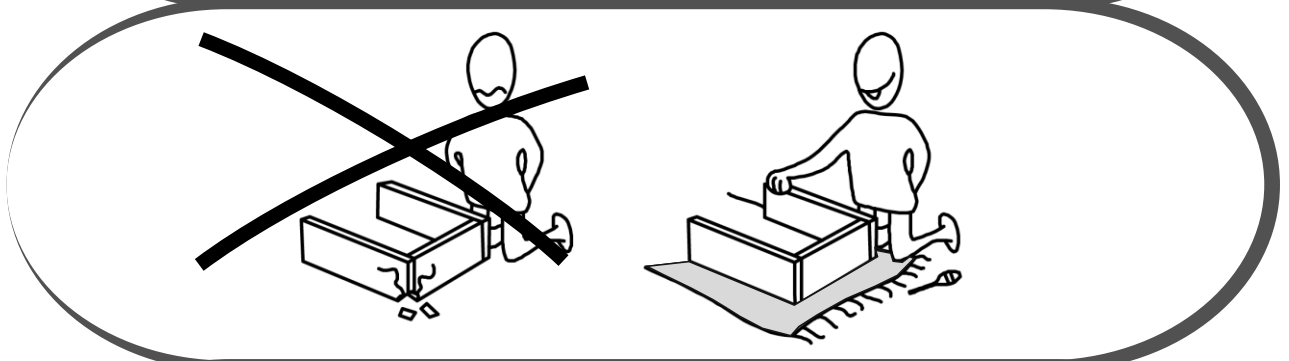
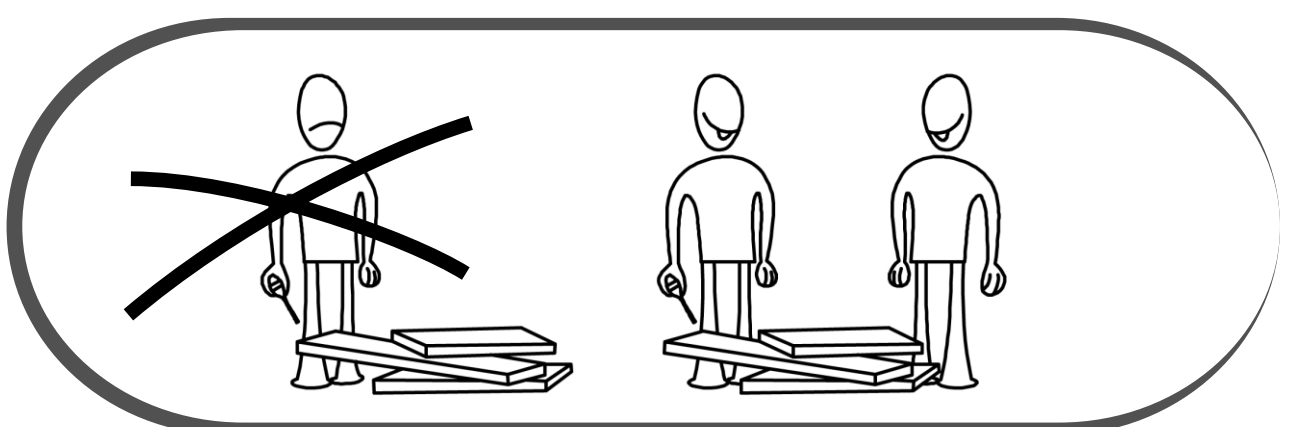

ASSEMBLY MANUAL

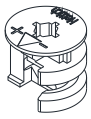




ATTENTION!!

Minifix is the main connection material used in our products. Before starting assembly, please check the drawings below...

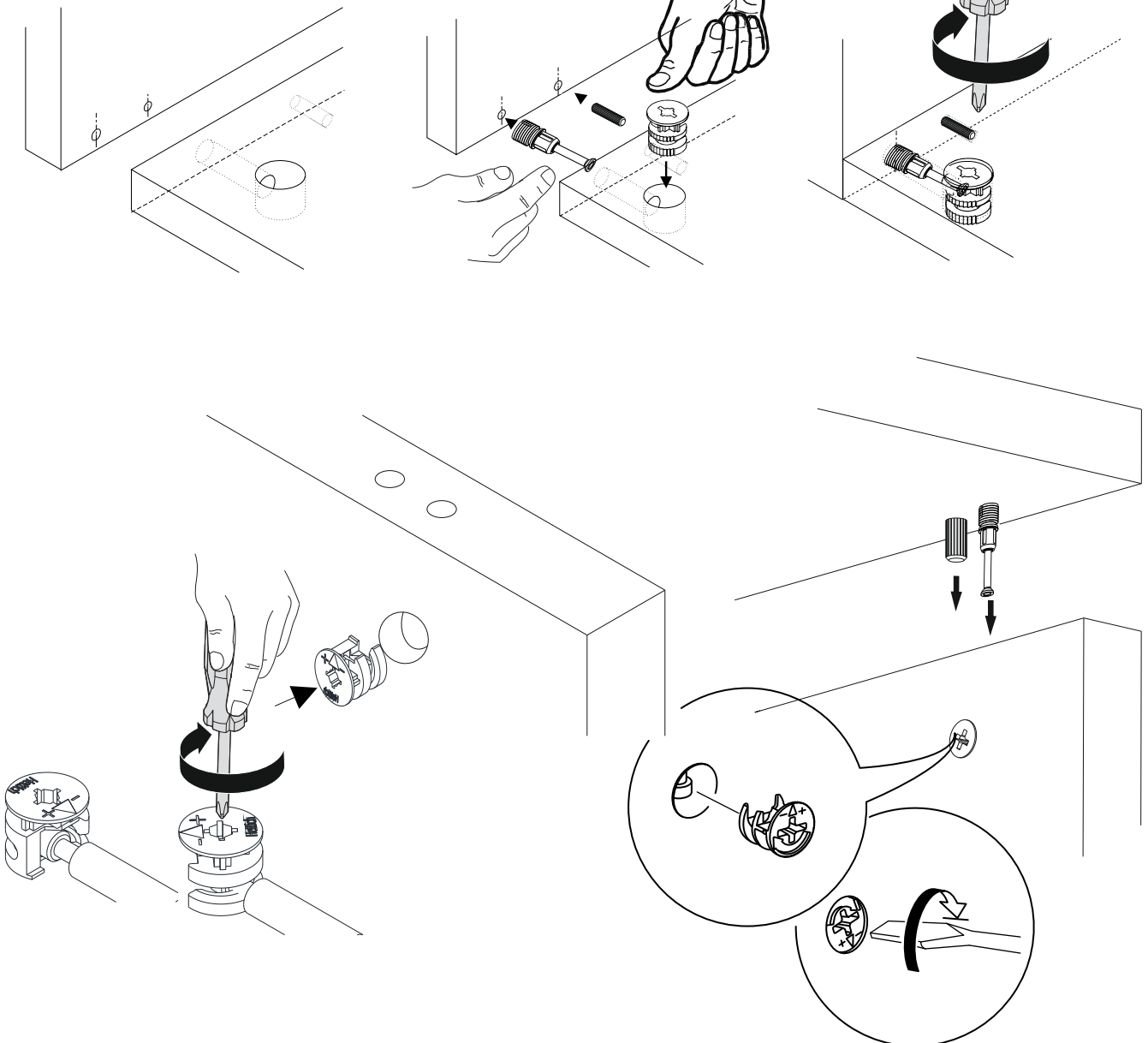
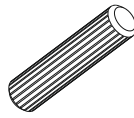
Minifix Body

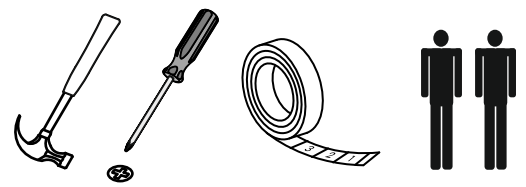


Minifix



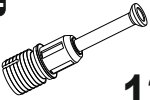
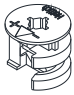
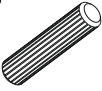
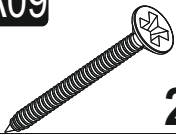


Dowel



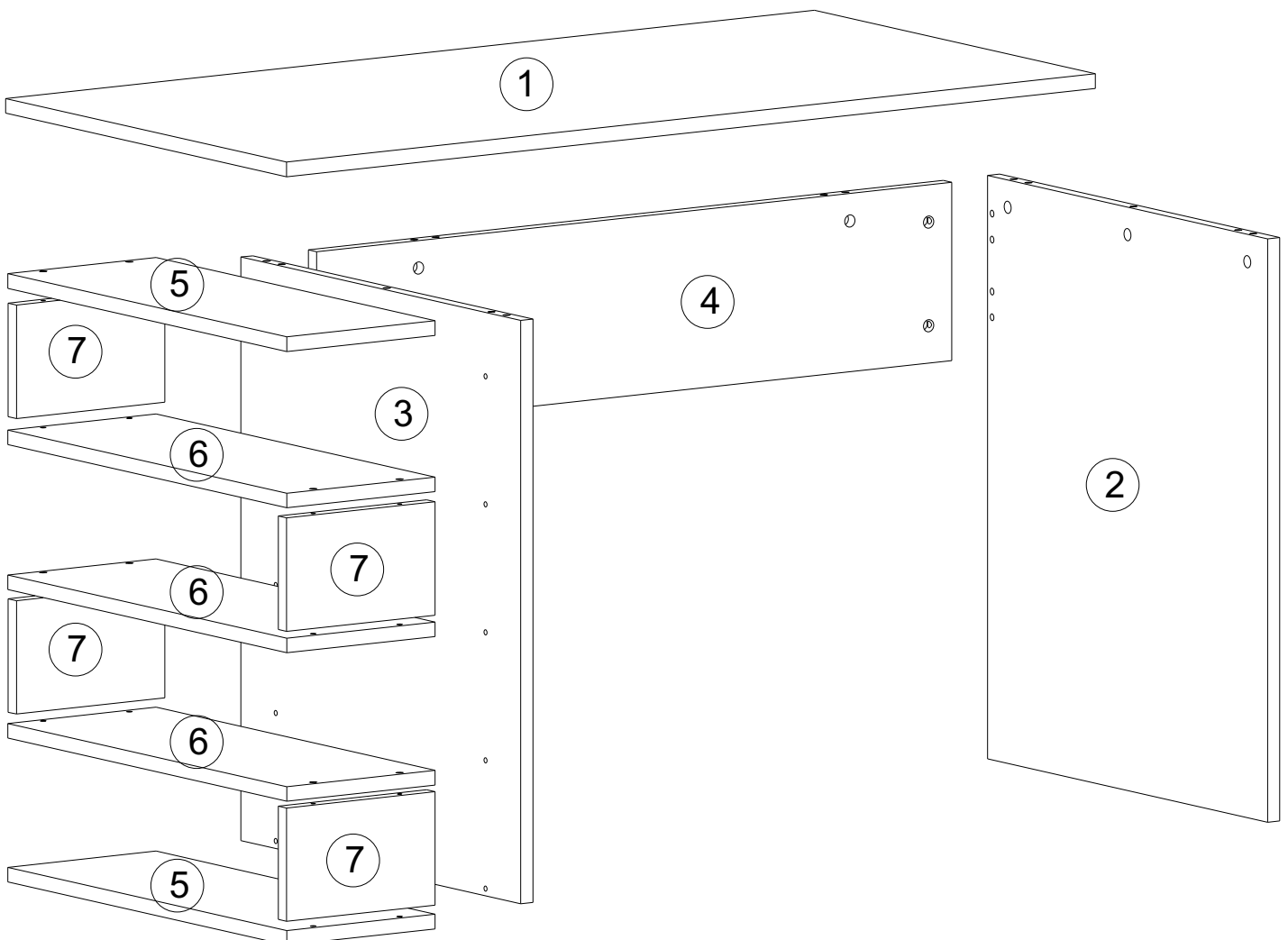


The necessary tools (not included)

ACCESSORY LIST

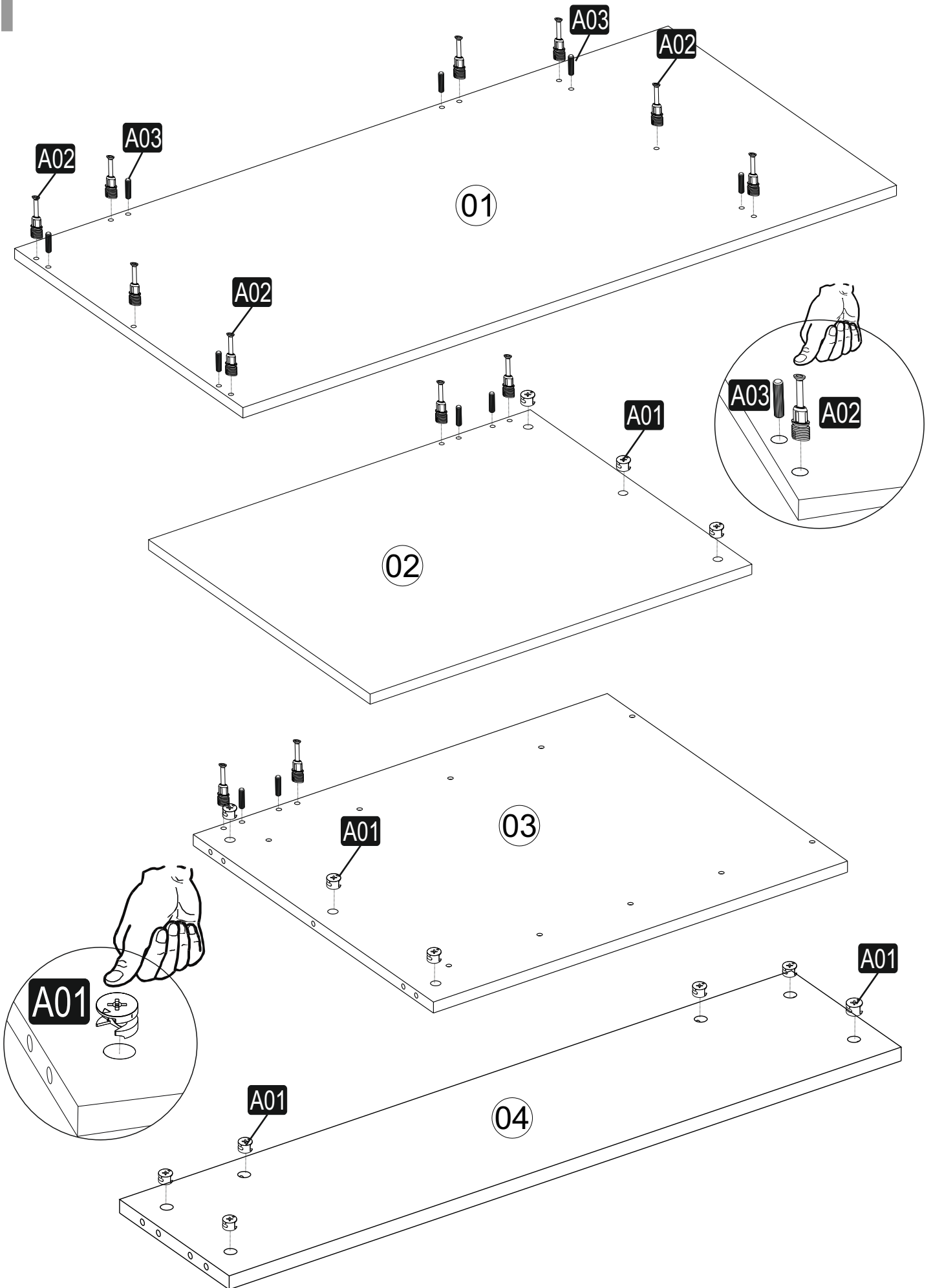
A02  12x	A01  12x	A03  10x	A09 4x50 YHB  26x	A16  A 10x D 16x
A04  A 12x				

GENERAL VIEW

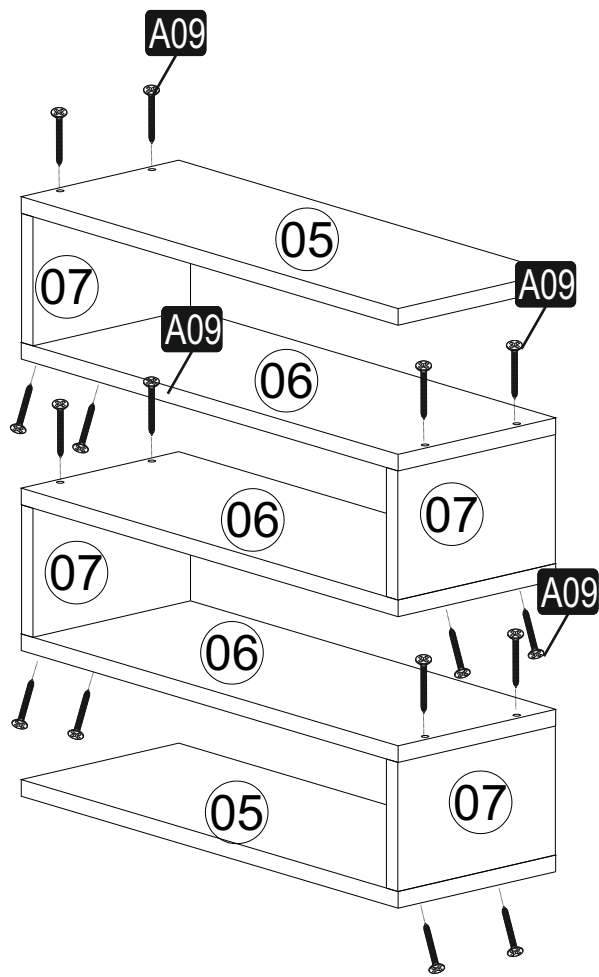


ASSEMBLY MANUAL

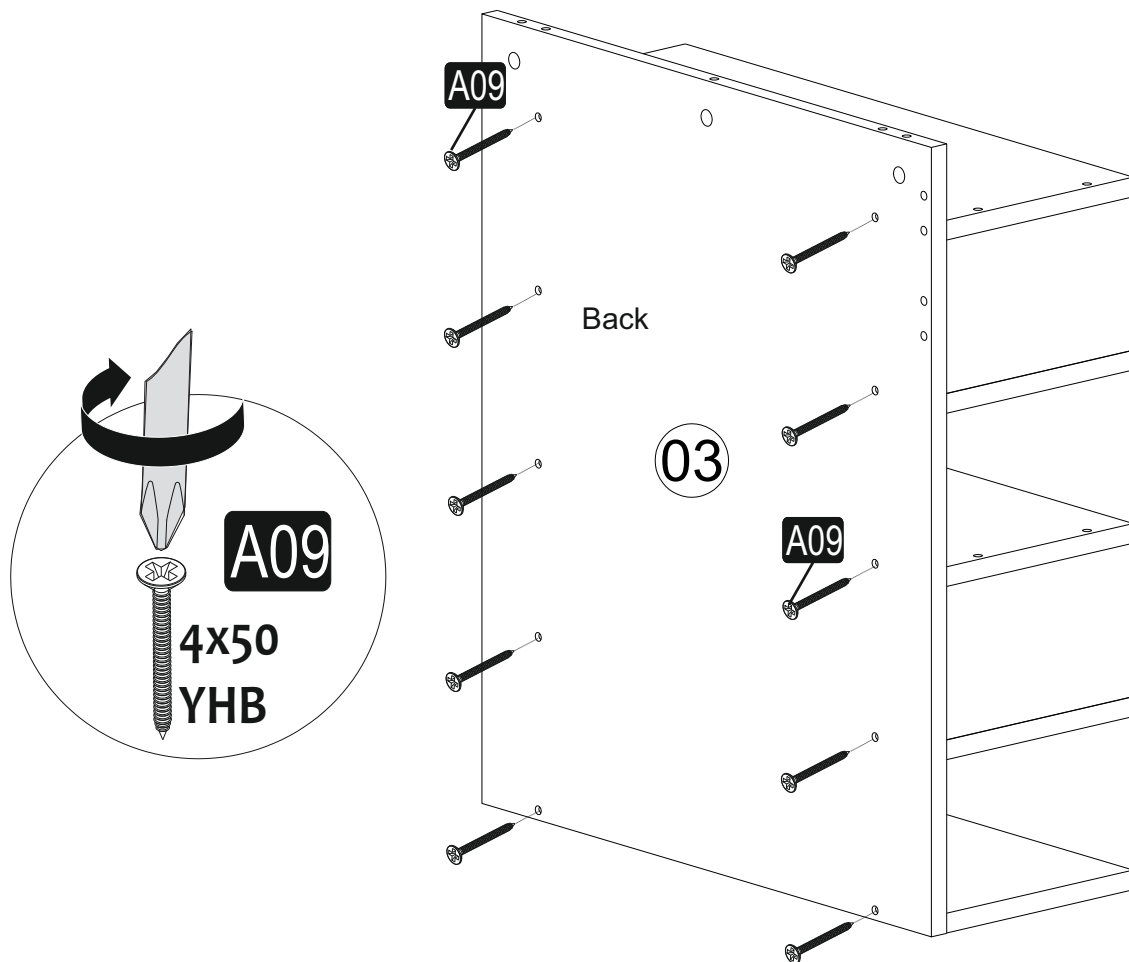
1



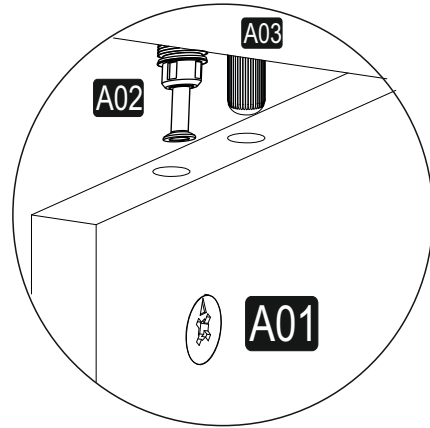
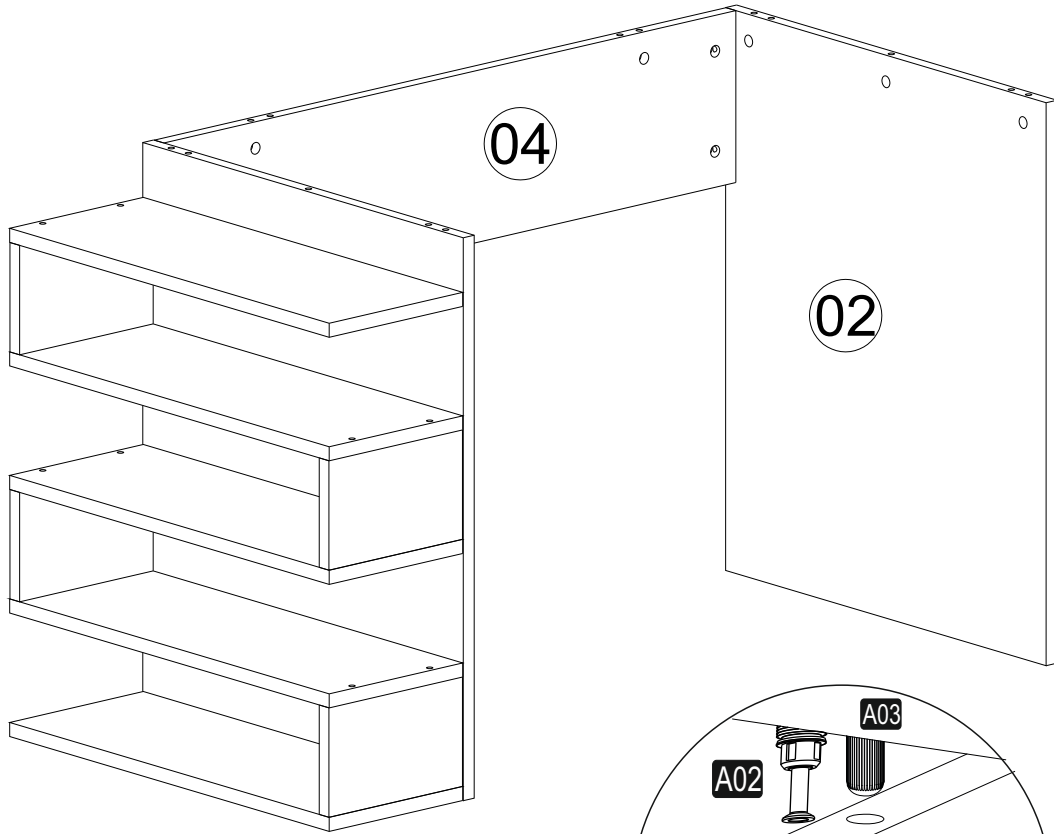
2



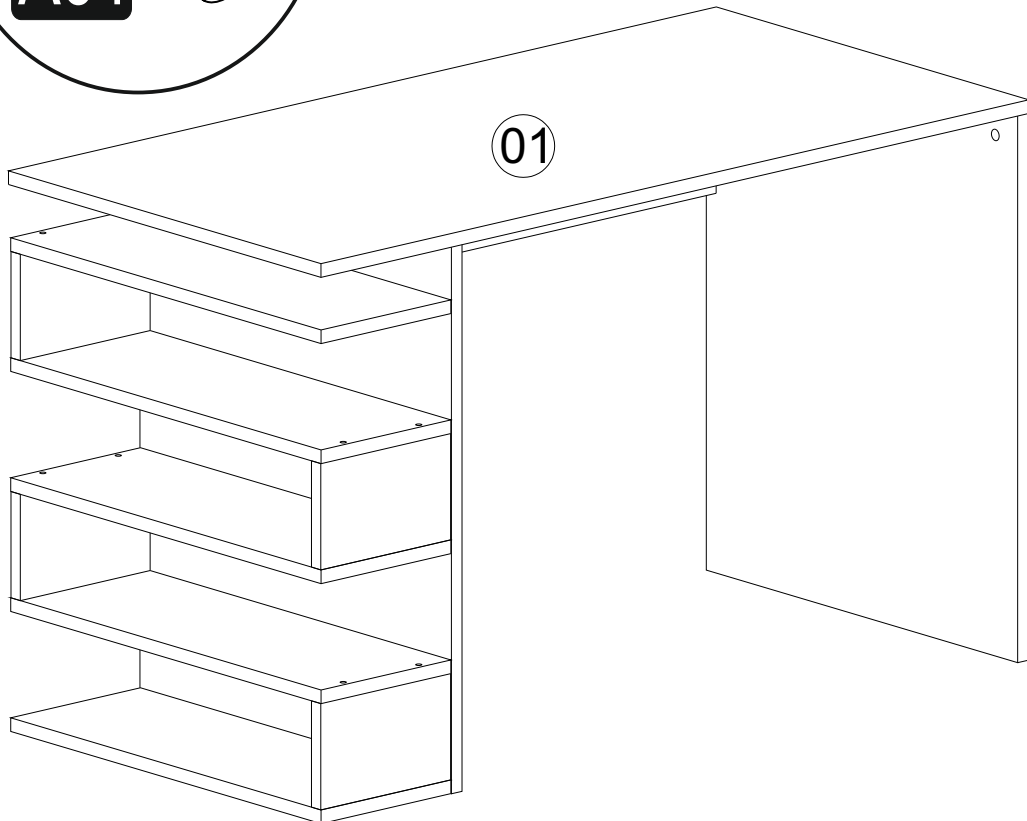
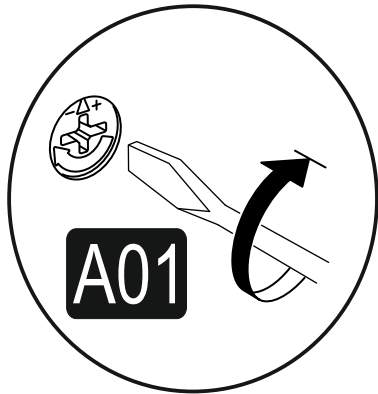
3



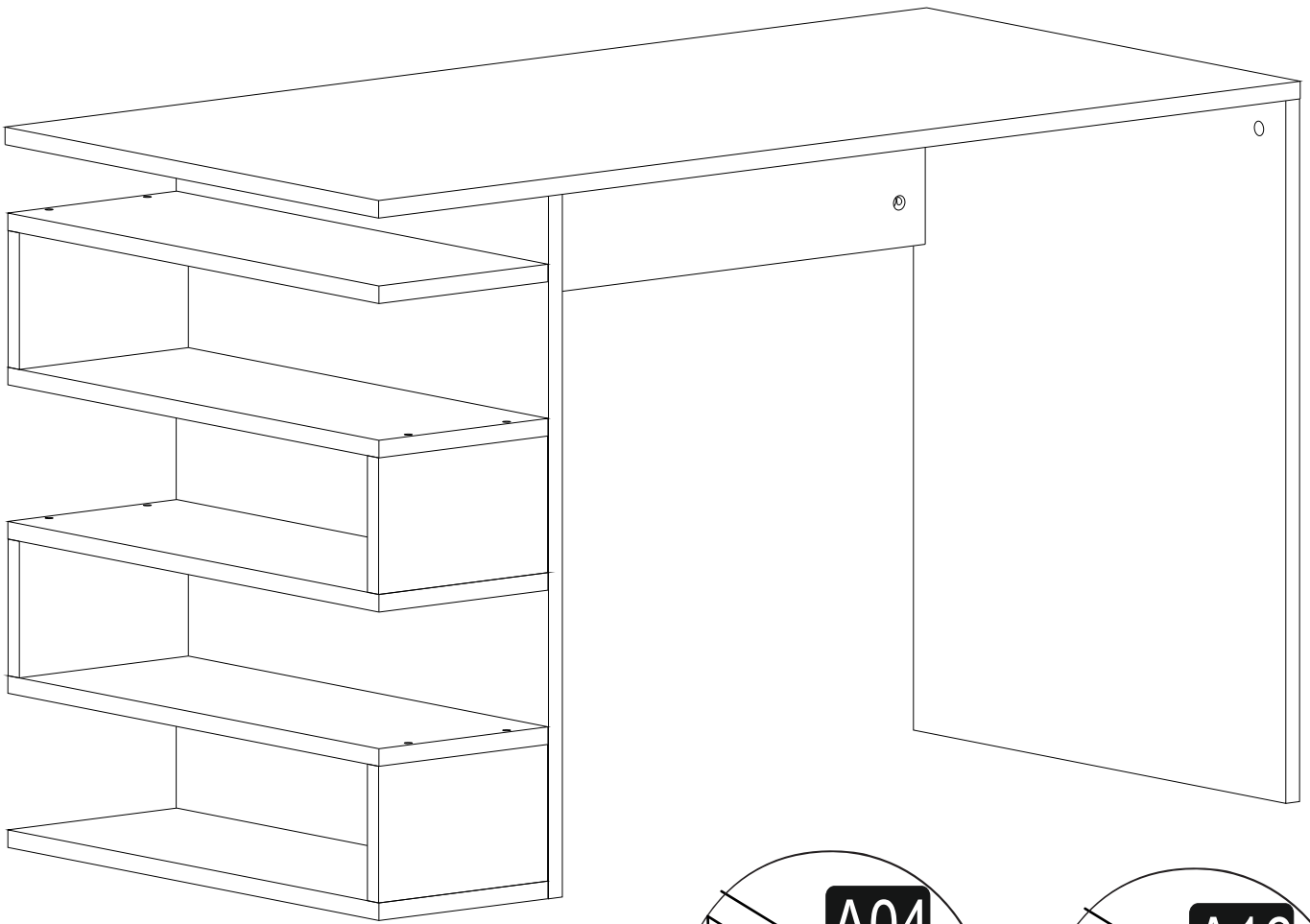
4



5



6





WARNING

CHOKING HAZARD

- This unit contains small parts which could be a choking hazard for small children. Children should be under adult supervision at all times.
- Do not overload the unit. Each shelf has a recommended capacity of 13 pounds, and the total weight on the unit should not exceed 39 pounds for wall shelves.
- Do not climb, step, or stand on the unit.
- Do not mount or attach items to the front, rear, or sides of the unit. This can cause the unit to become unbalanced and fall.
- Do not stack units.
- All units must be secured individually to wall studs using hardware provided. If wall studs are not accessible, consult your local hardware store for appropriate mounting hardware.
- We recommend you hand-tighten screws. Use care not to overtighten if using power tools. Follow proper safety procedures if using power tools and/or ladders.
- We recommend you protect your work surface during assembly to prevent scratching or damage to tabletops, wood floors, etc.
- Failure to follow the instructions listed here could result in bodily injury or damage to personal belongings. Use caution and follow safety procedures.