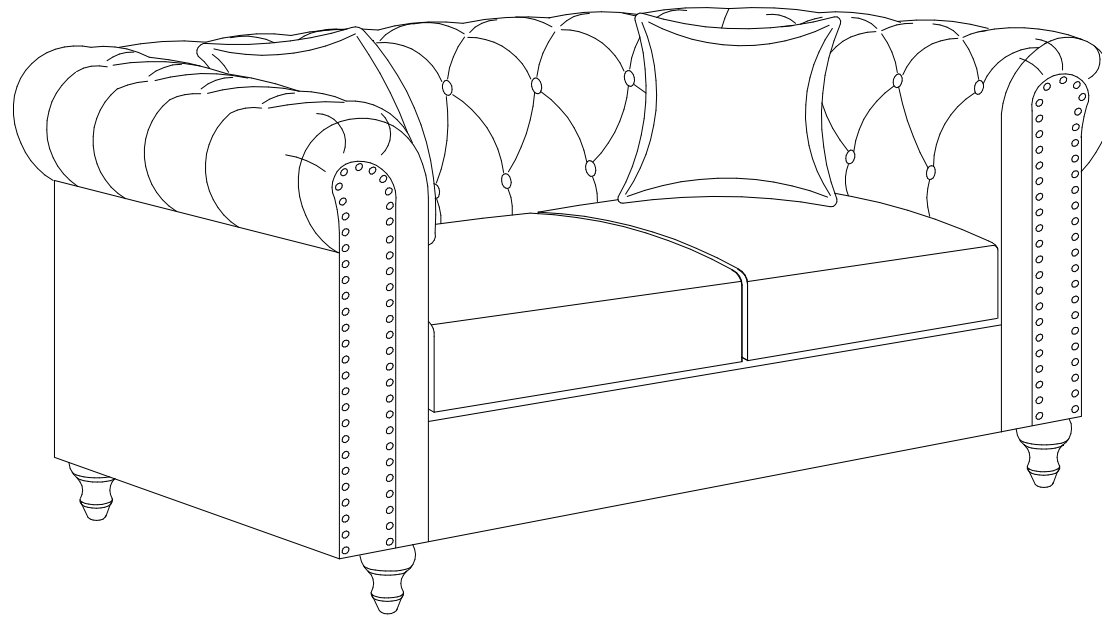


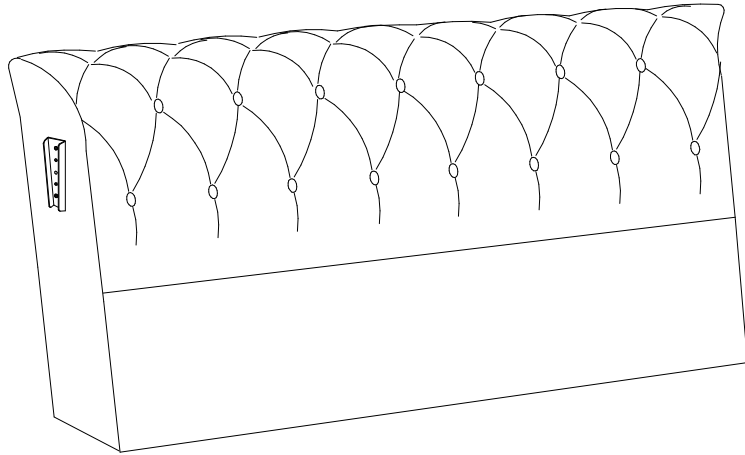
Attention:
Two people are required for assembly and lifting unit.

ASSEMBLY INSTRUCTION



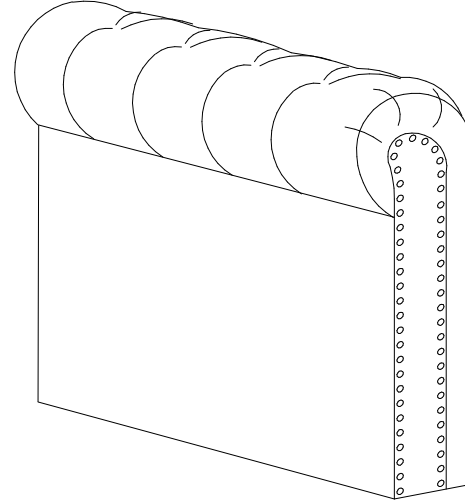
ASSEMBLY PART

1.



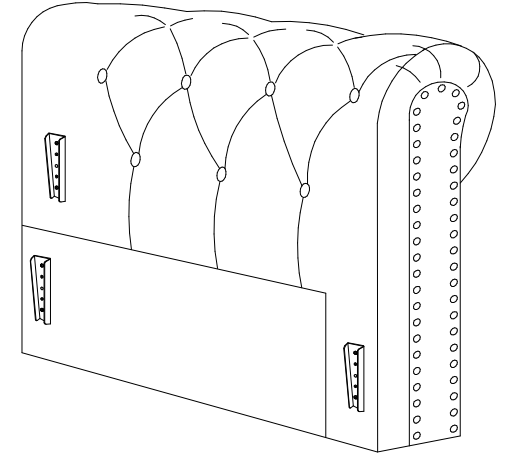
BACK REST (1PC)

2.



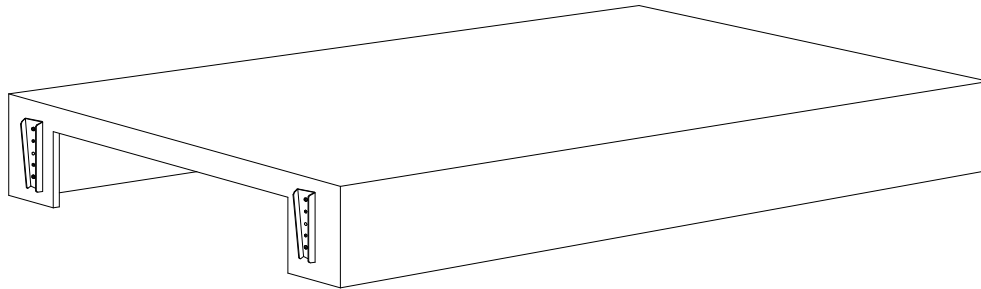
LEFT ARM (1PC)

3.



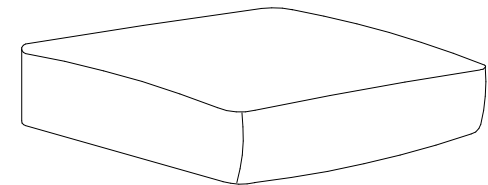
RIGHT ARM (1PC)

4.



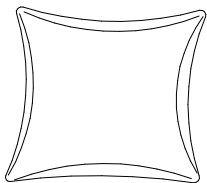
SEAT PANEL (1PC)

7.



SEAT CUSHION (2PCS)

5.



PILLOW (2PCS)

6.

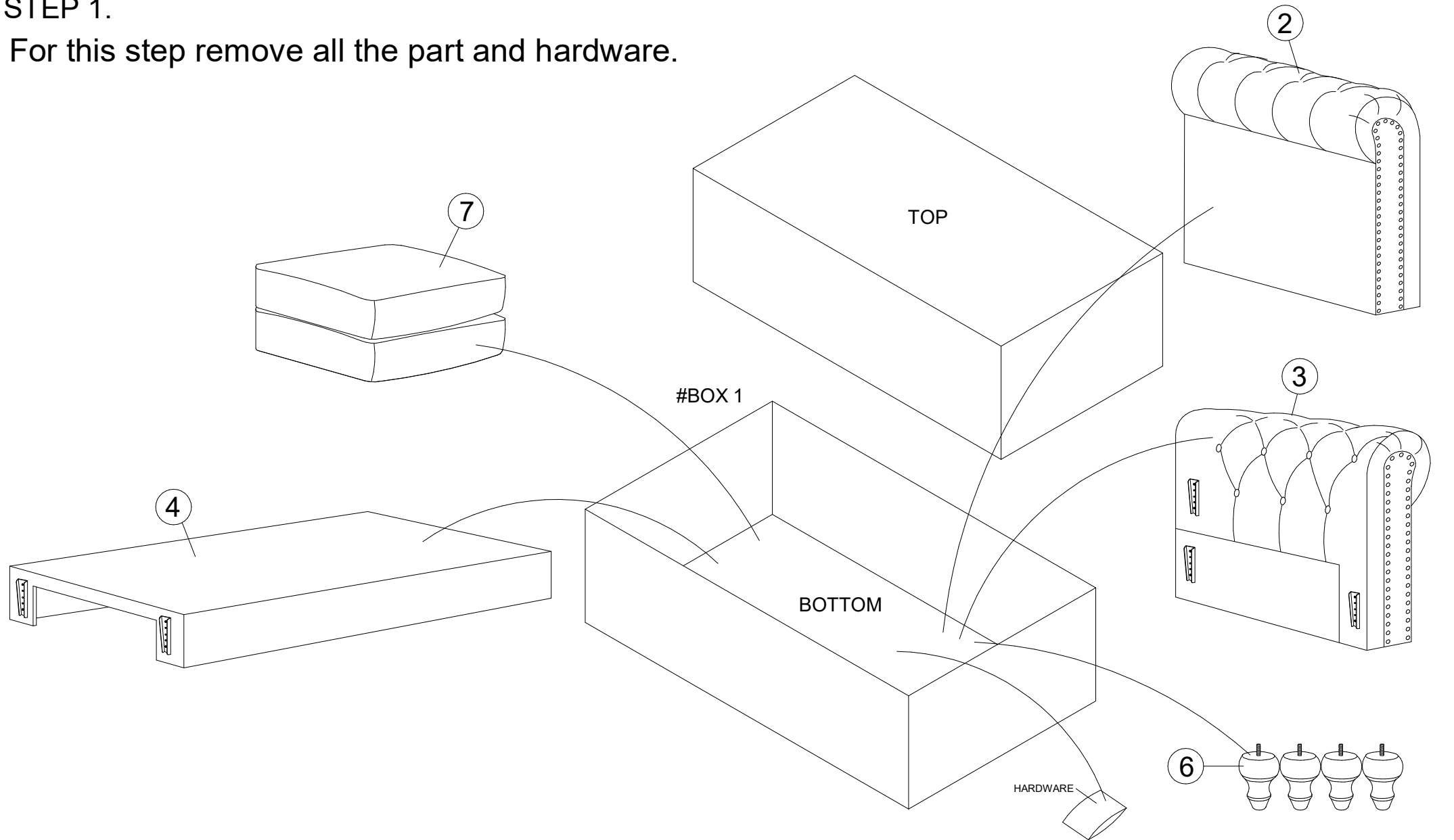


LEG (4PCS)

ASSEMBLY INSTRUCTION

STEP 1.

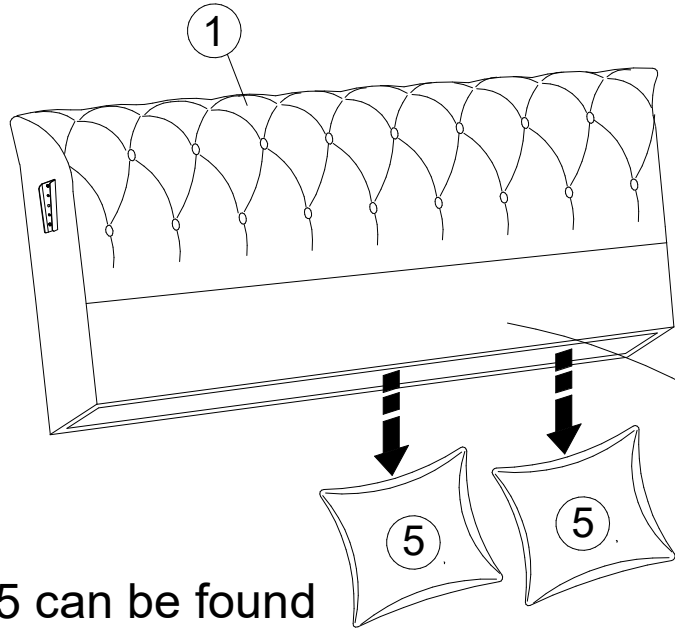
For this step remove all the part and hardware.



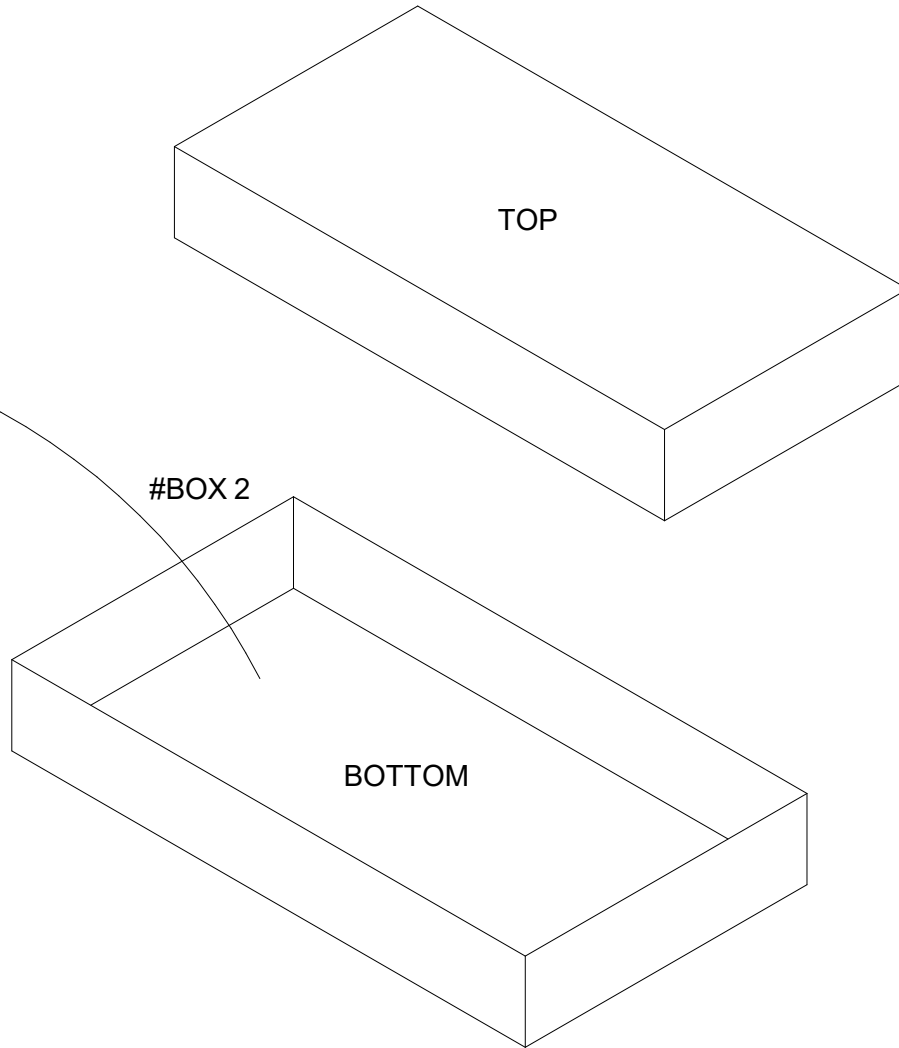
ASSEMBLY INSTRUCTION

STEP 2.

For this step remove all the part.



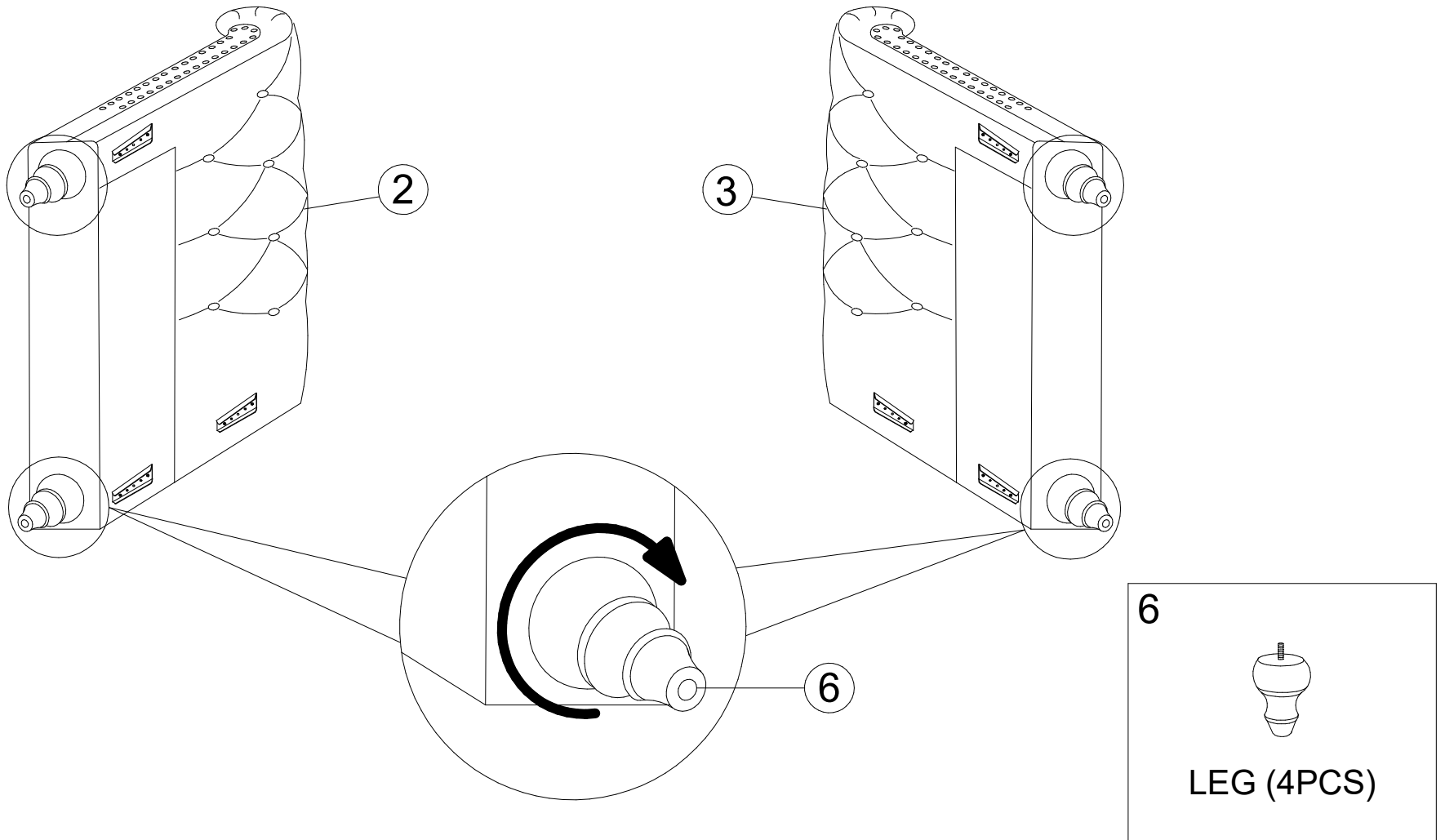
Part 5 can be found
on the bottom of Back Rest (1)



ASSEMBLY INSTRUCTION

STEP 3.

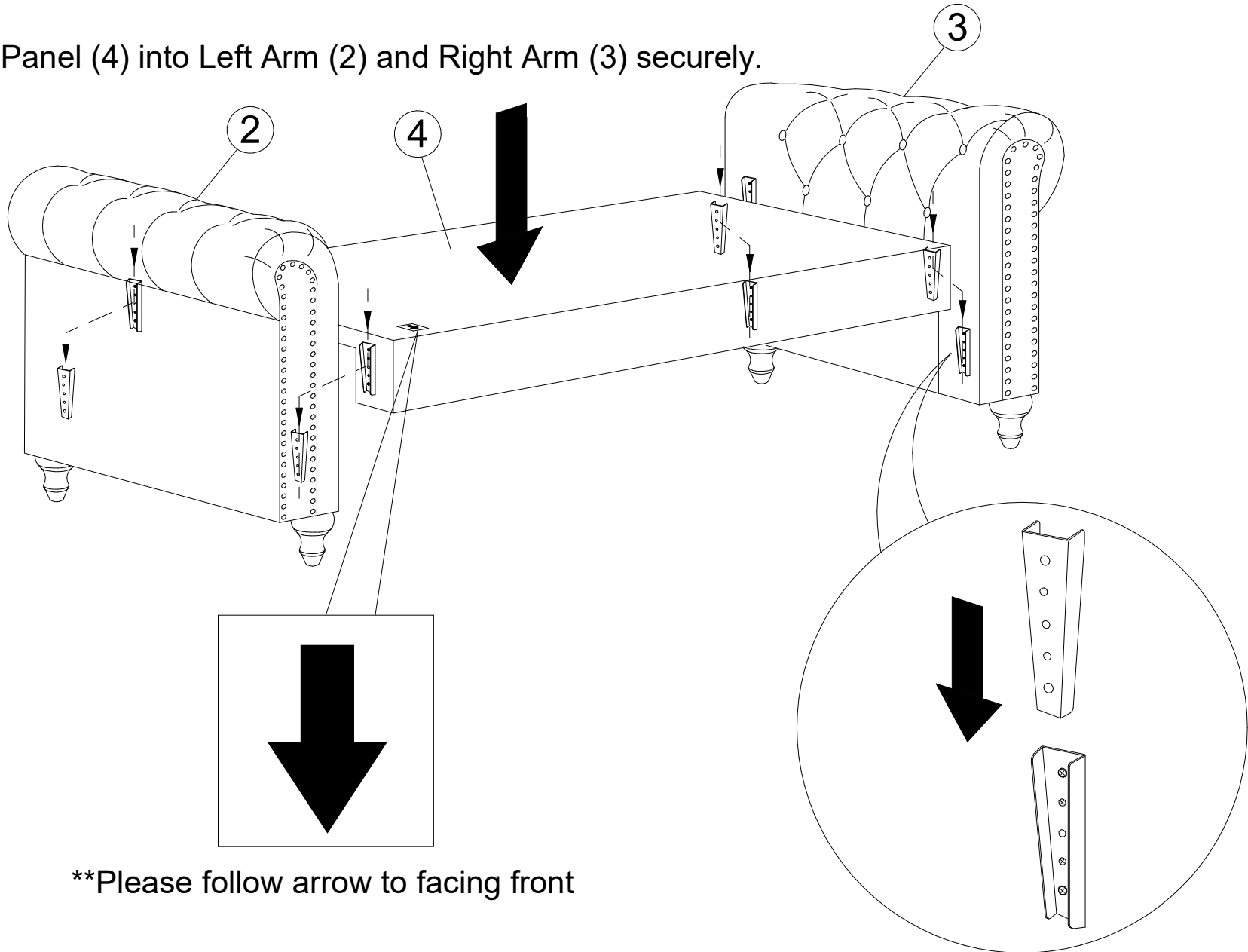
Attach Leg (6) (4pcs) to the Left Arm (2) and Right Arm (3).



ASSEMBLY INSTRUCTION

STEP 4.

Hook on the Seat Panel (4) into Left Arm (2) and Right Arm (3) securely.

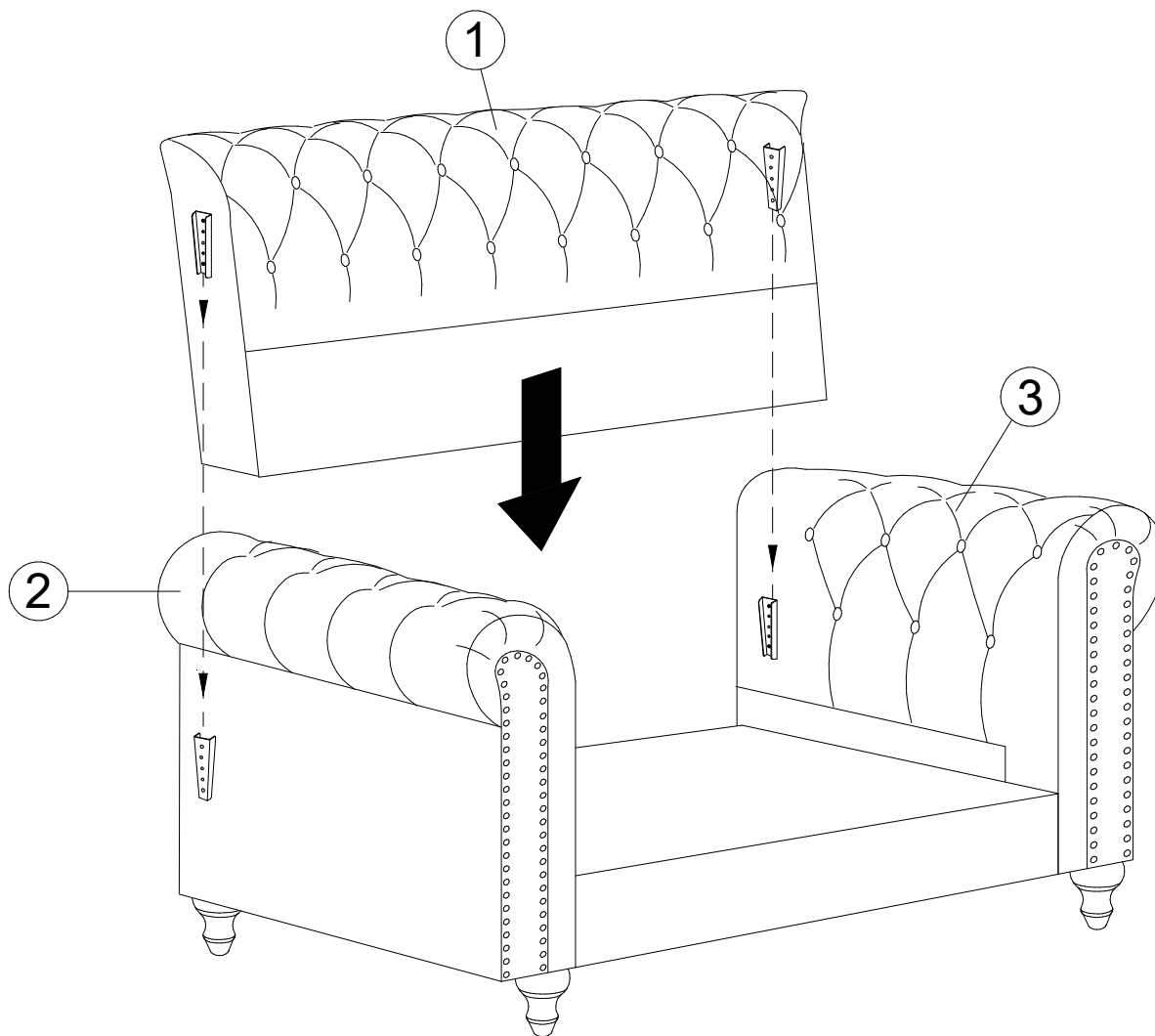


**Please follow arrow to facing front

ASSEMBLY INSTRUCTION

STEP 5.

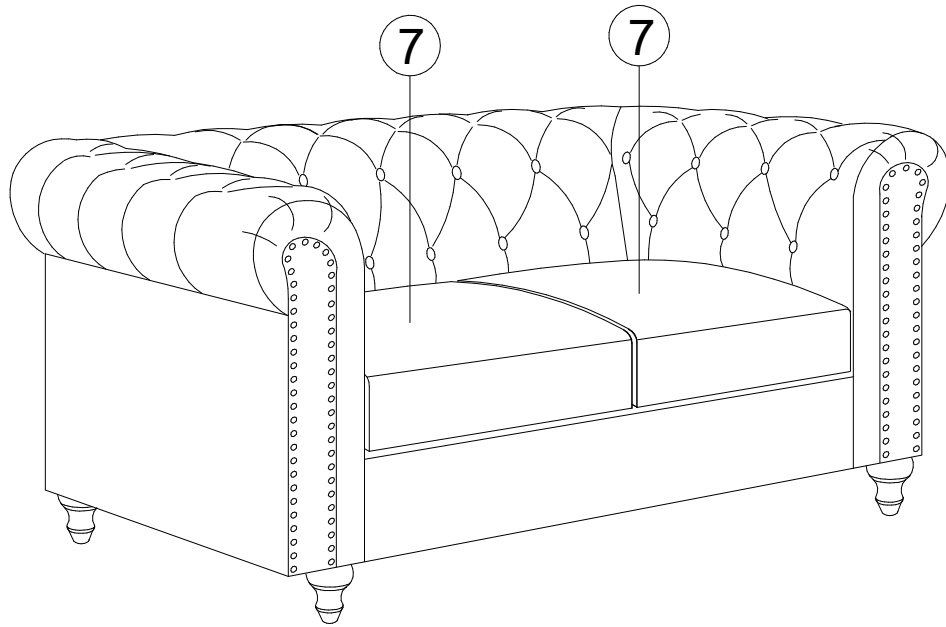
Hook on the Back Rest (1) into Left Arm (2) and Right Arm (3) securely.



ASSEMBLY INSTRUCTION

STEP 6.

Attach the Seat Cushion (7) (2pcs).



STEP 7.

Lay Pillows (5) (2pcs).

