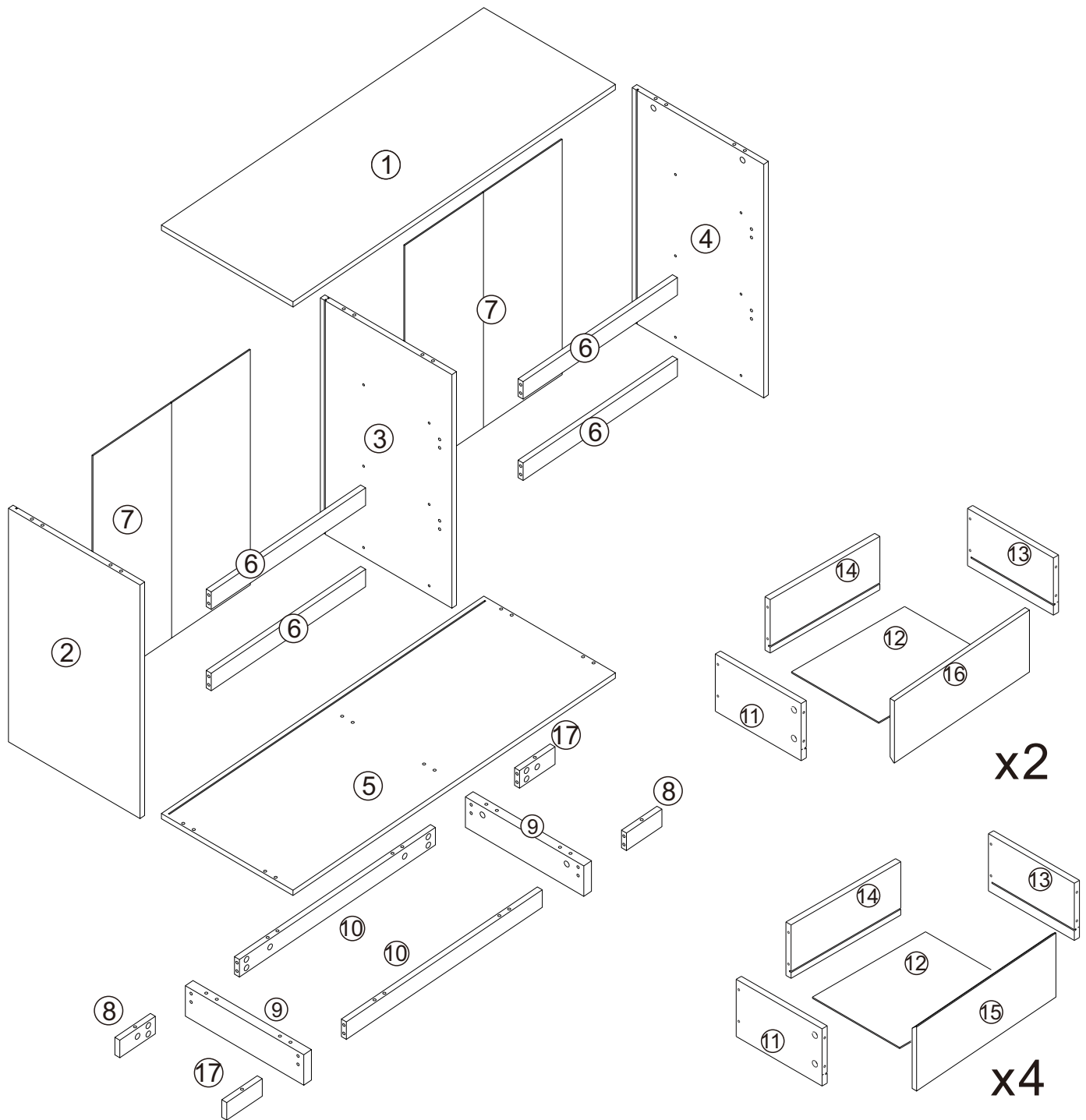














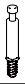



# **Installation instruction**

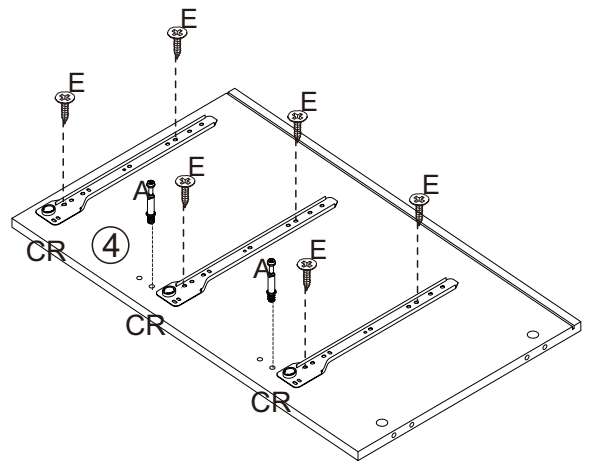
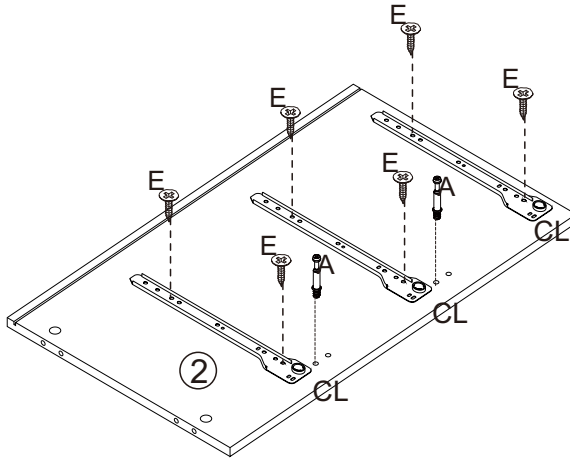
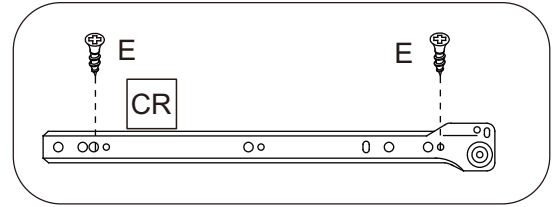
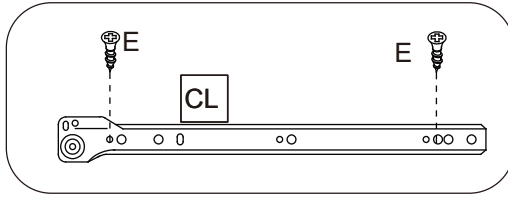
# Assembly Instructions



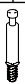



A	X 66	B	X 66	C	X 28	D	X 6	E	X 48	F	X 8	G	X 24
													
M6*35		φ15*10		φ6*30		Mx4*40		M3*12		M3*16		M4*30	
CL	X 4	CR	X 4	DL	X 4	DR	X 4	J	X 2				
													

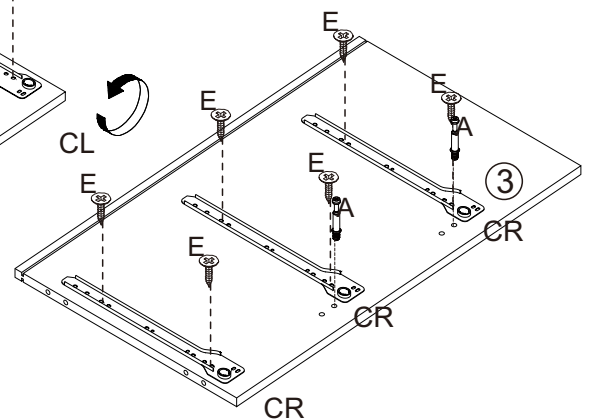
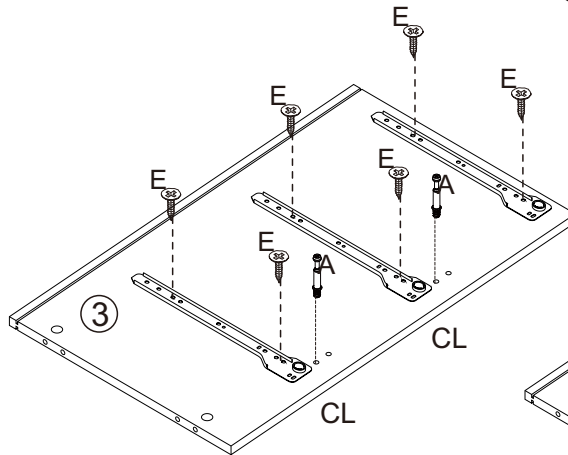
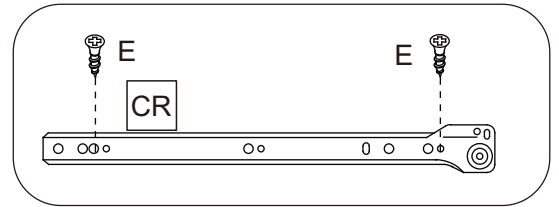
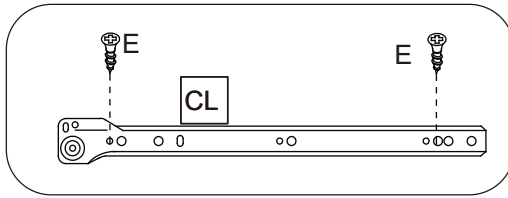
# STEP 1

A	X 4
	
M6*35	
E	X 12
	
M3*12	
CL	X 3
	
CR	X 3
	





# STEP 2

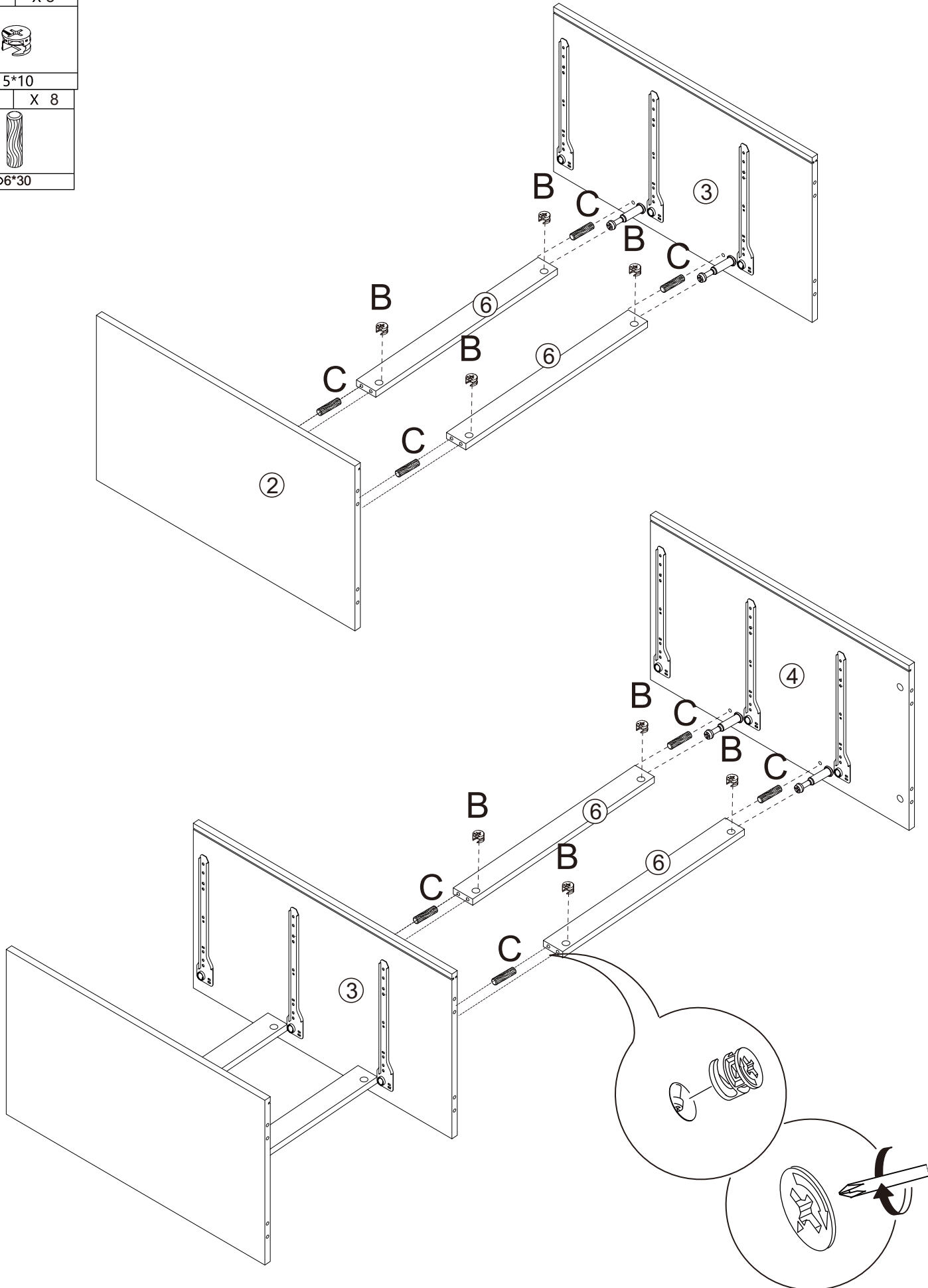
A	X 4
	
M6*35	
E	X 12
	
M3*12	
CL	X 3
	
CR	X 3
	



The product only includes one piece each of the 3 boards. The arrows indicate a 180° flip, with no other meanings.



# STEP 3

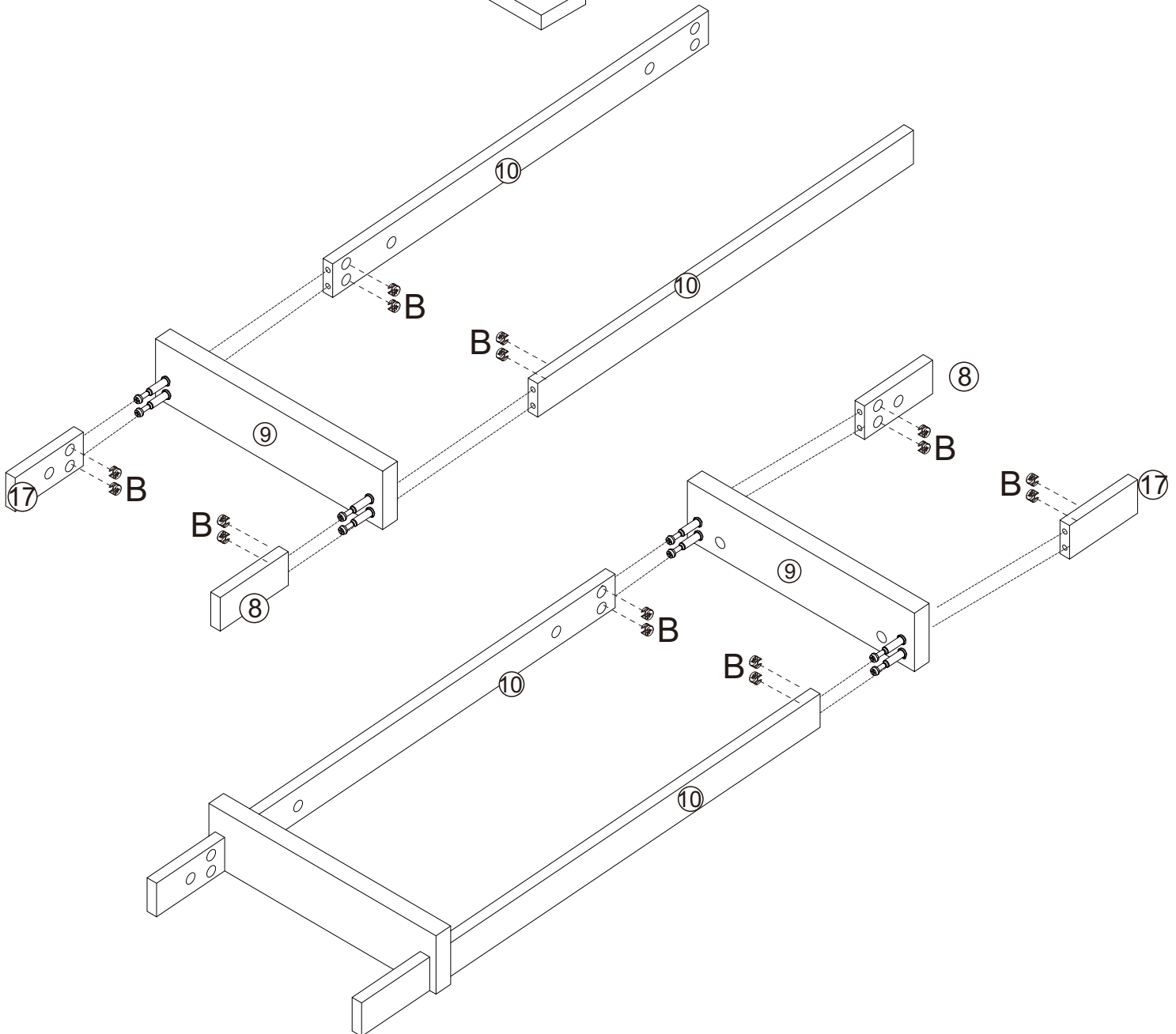
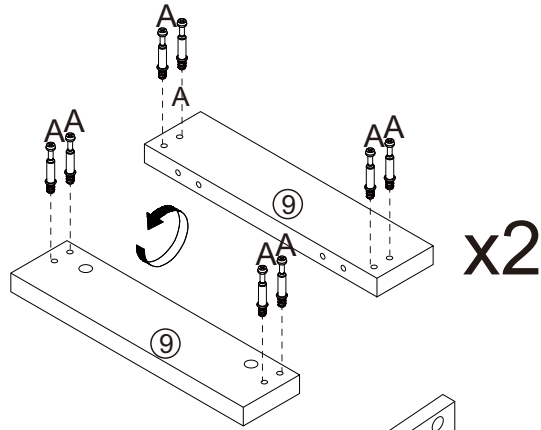
B	X 8
	
Φ15*10	
C	X 8
	
Φ6*30	





# STEP 4

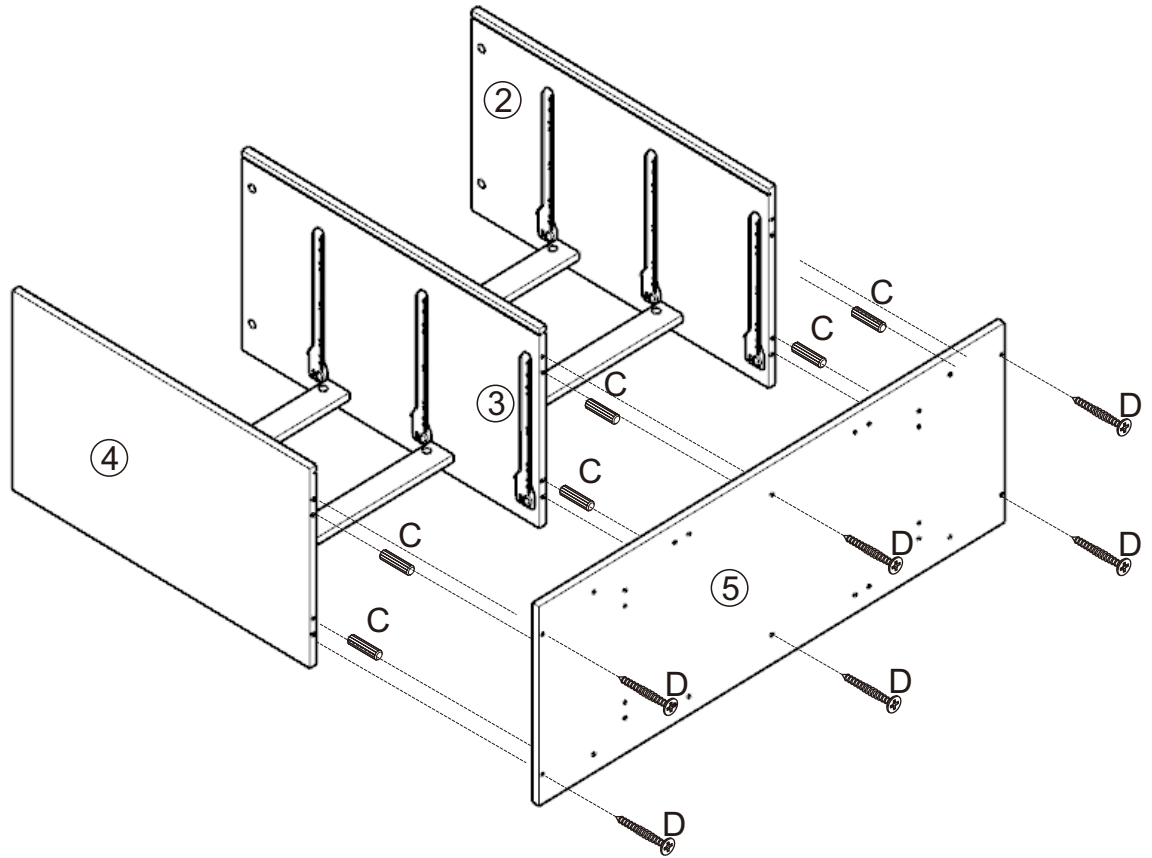
The product includes two 9 boards, which need to be flipped 180° for installation.

A	X 16
	
M6*35	
B	X 16
	
Φ15*10	

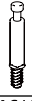


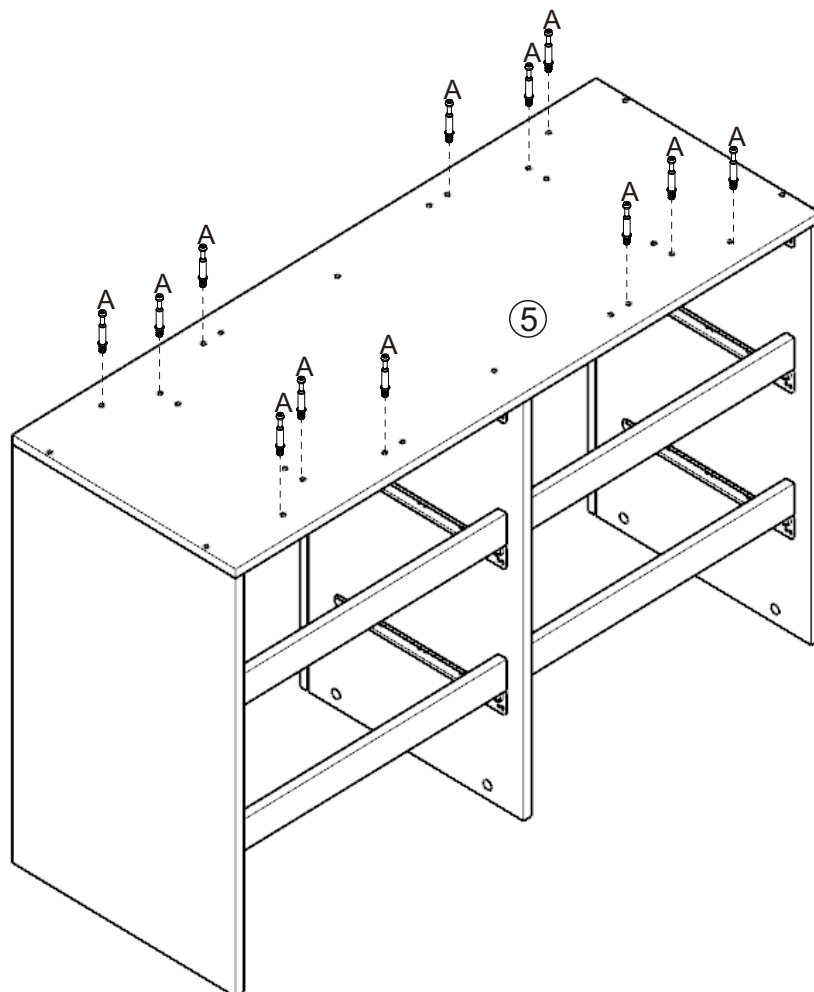
## STEP 5

D	X 6
	
Φ4*40	
C	X 6
	
Φ6*30	





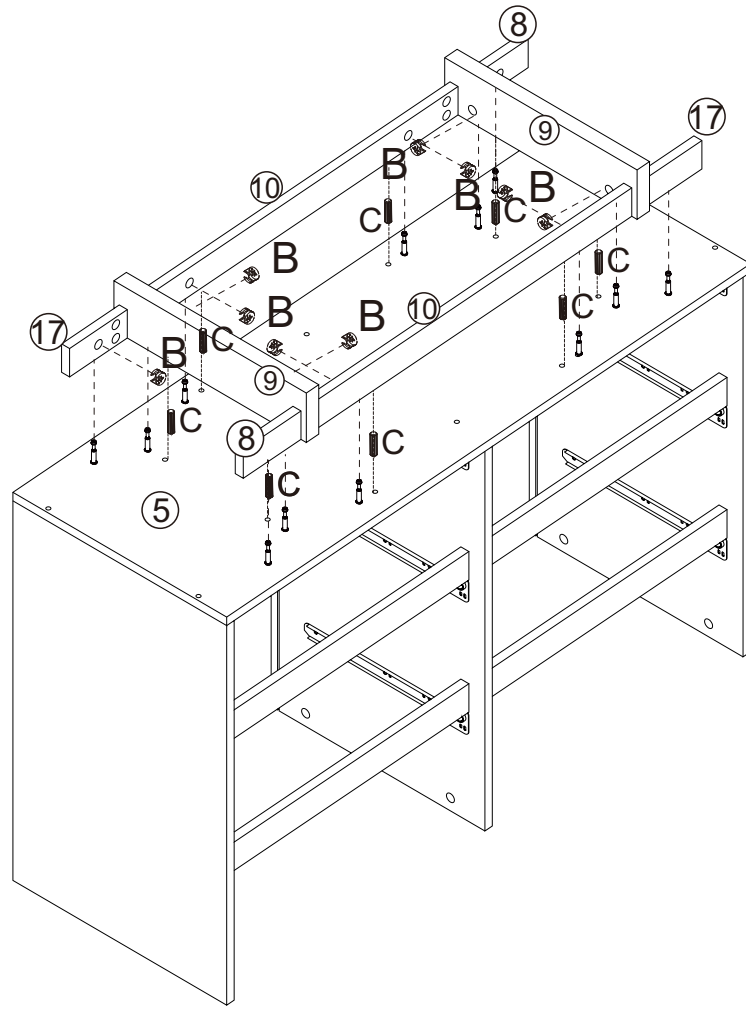
## STEP 6

A	X 12
	
M6*35	

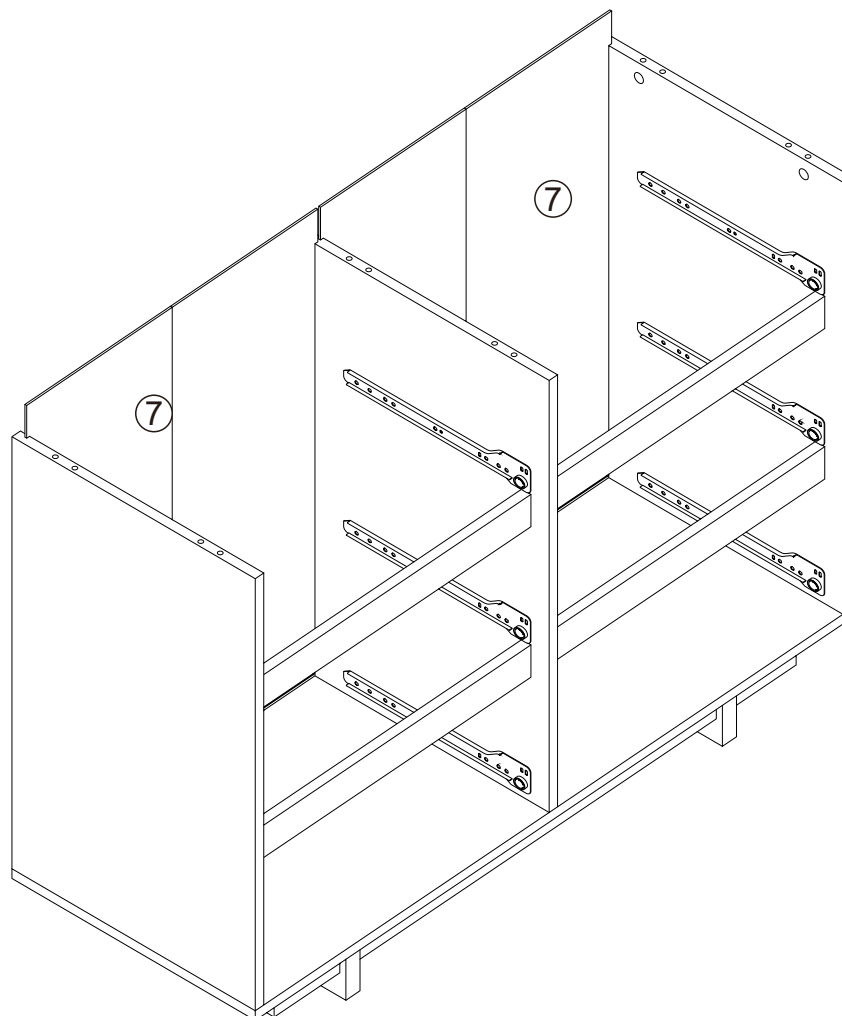


# STEP 7


B	X 12
	
$\phi 15 \times 10$	
C	X 8
	
$\phi 6 \times 30$	

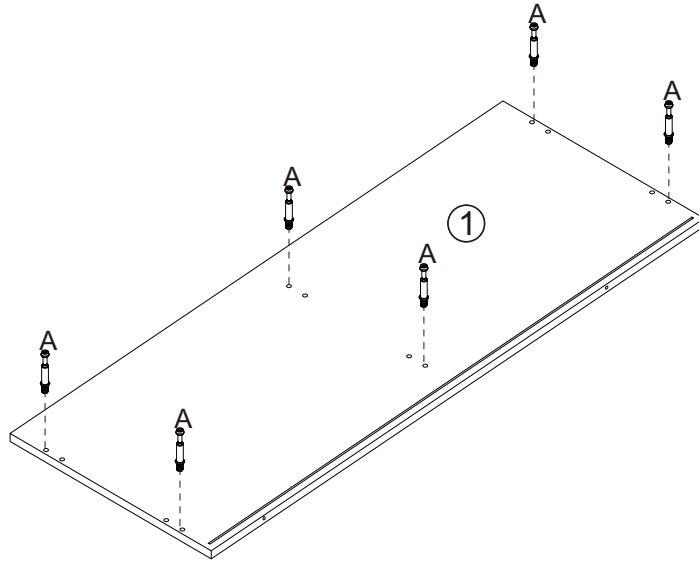


# STEP 8





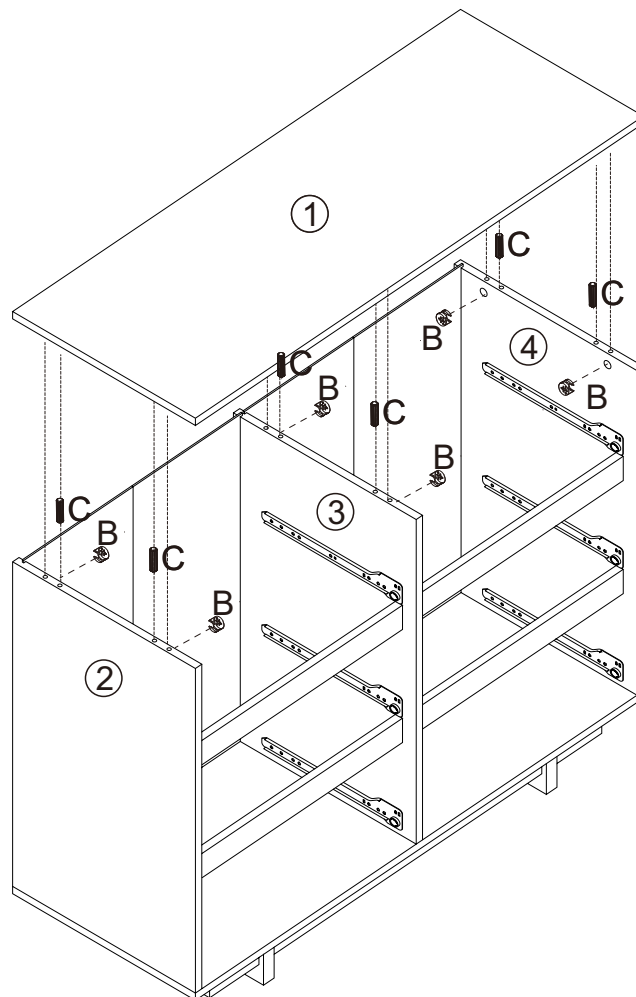
# STEP 9

A	X 6
	
M6*35	

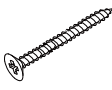


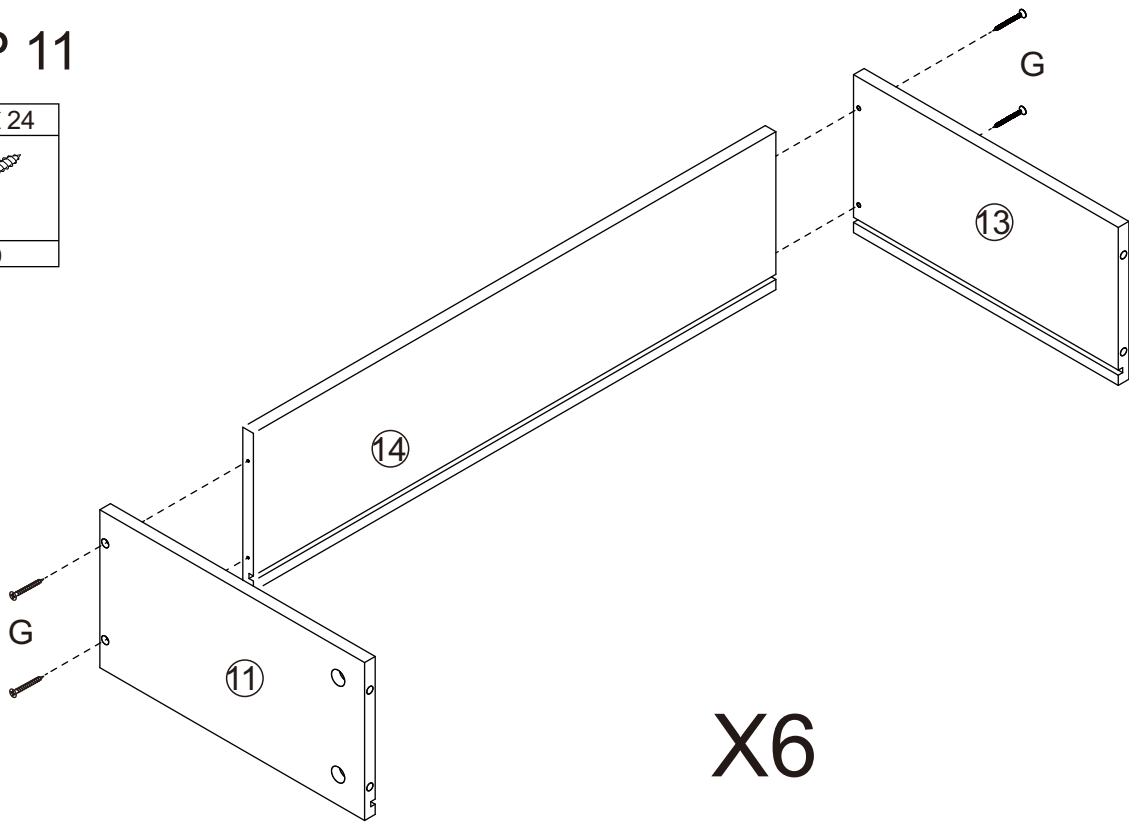
# STEP 10

B	X 6
	
Φ15*10	
C	X 6
	
Φ6*30	

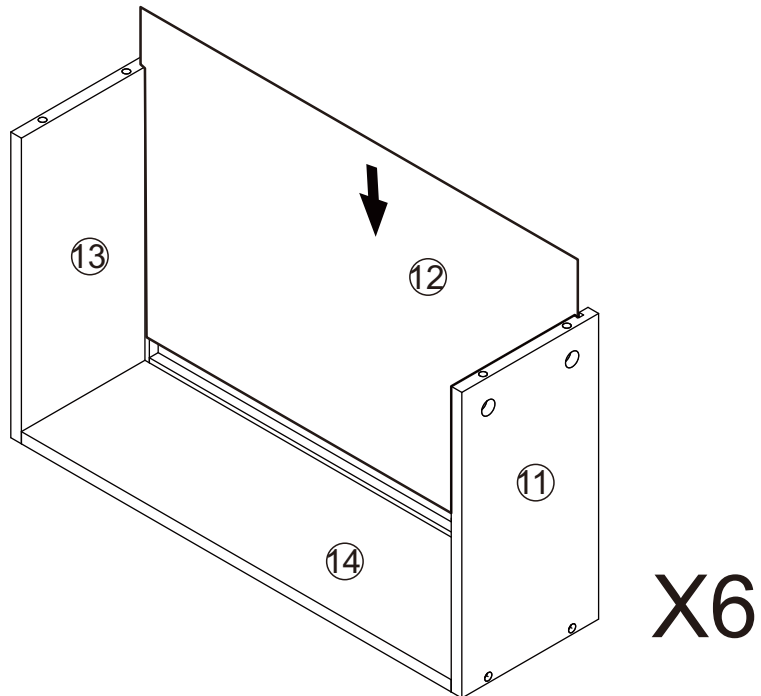


# STEP 11






G	X 24
	
Φ4*30	



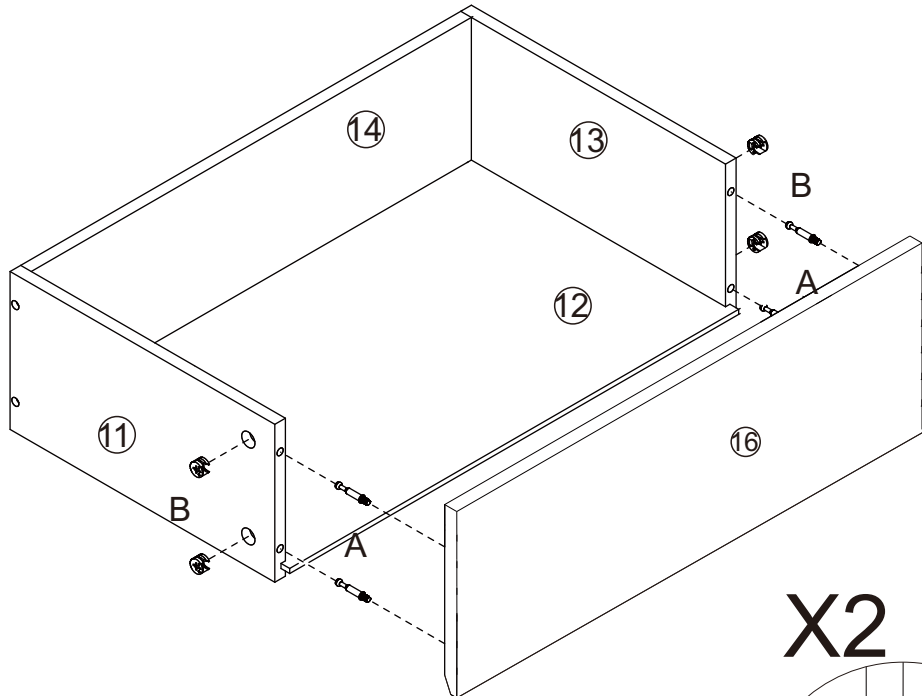
# STEP 12



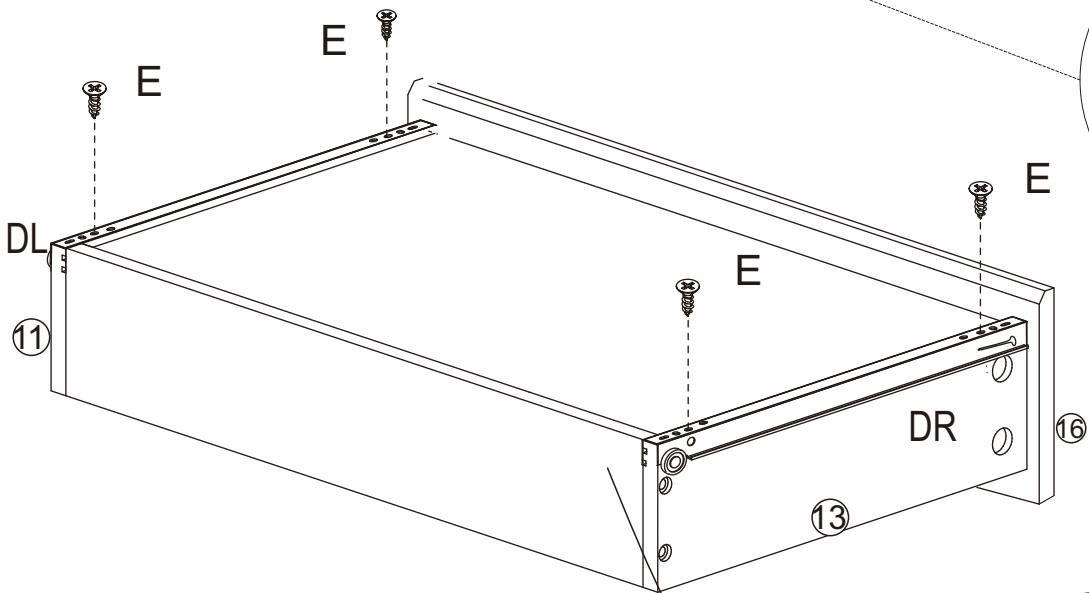
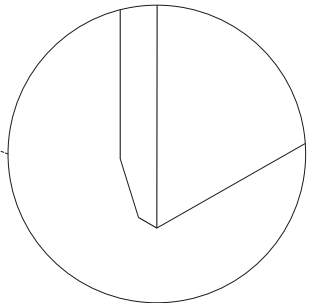
# STEP 13

A	X 8
	
M6*35	
B	X 8
	
Φ15*10	
E	X 8
	
M3*12	
DL	X 2
	
DR	
	

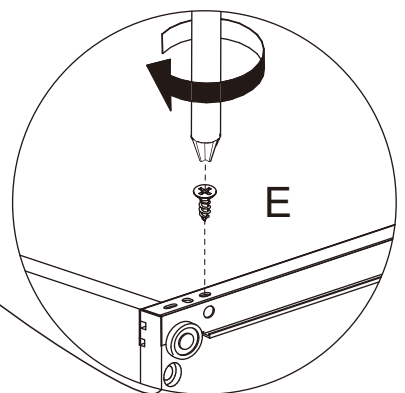
Screw accessory A into board 16, then connect board 16 to boards 11 and 13 with accessory B.



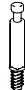




X2



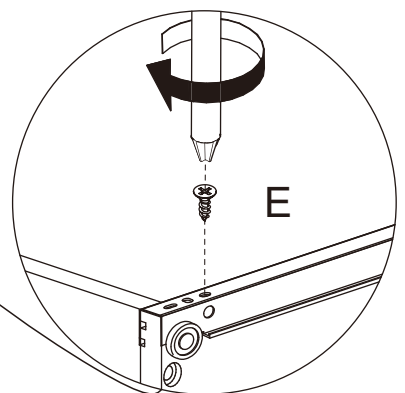
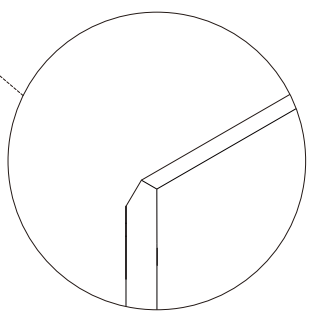
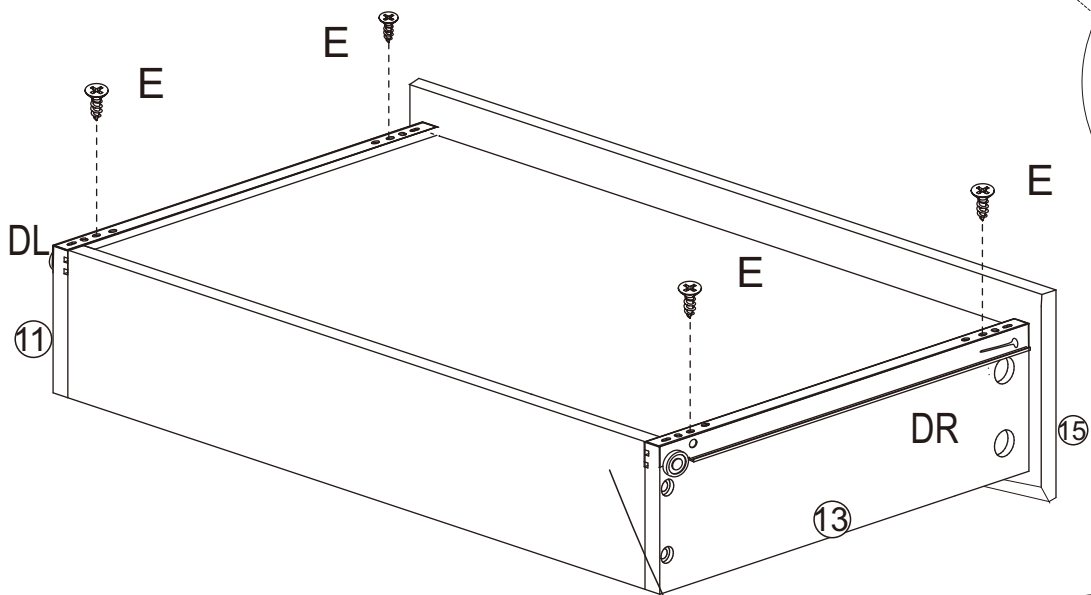
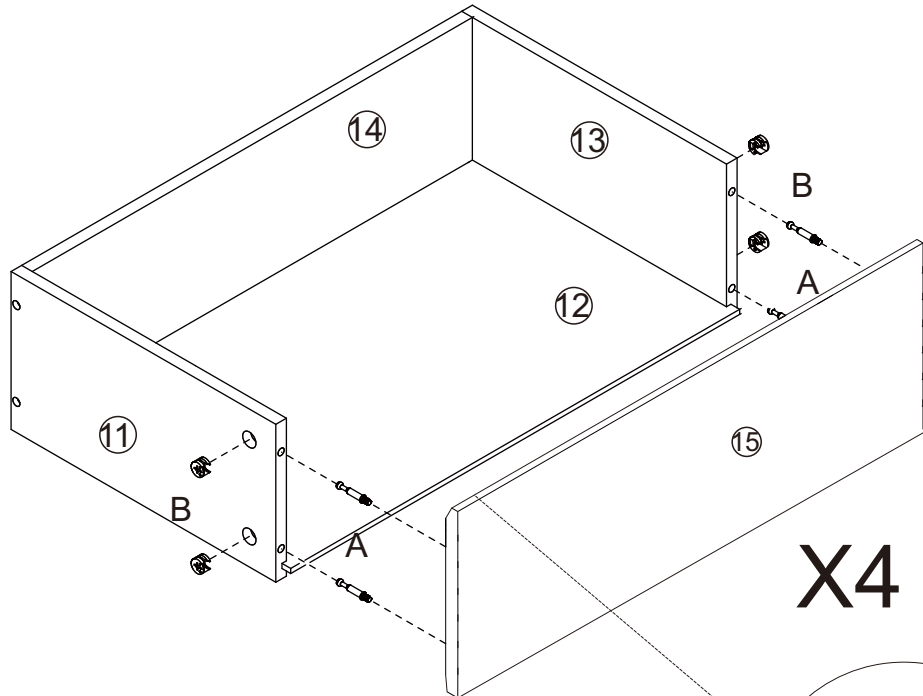
X2



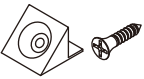

# STEP 14

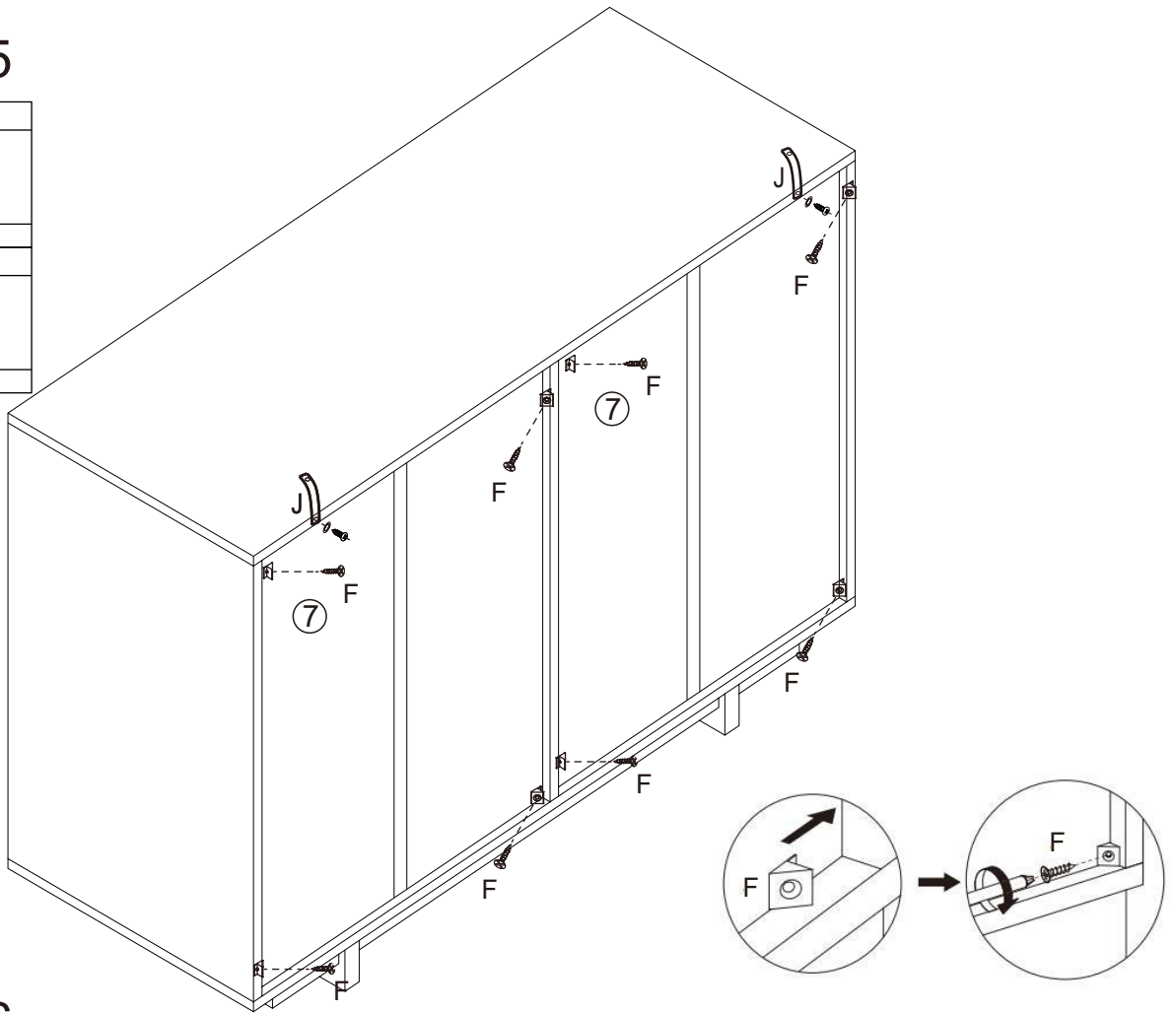
A	X 16
	
M6*35	
B	X 16
	
Φ15*10	
E	X 16
	
M3*12	
DL	X 4
	
DR	
X 4	
	

Screw accessory A into board 15, then connect board 15 to boards 11 and 13 with accessory B.



# STEP 15

F	X8
	
M3*16	
J	X2
	



# STEP 16

J	X2
