













# Illustration of Installation

Product name: XGZ002 - 100cm

Part name / Teilname / Noms des pièces du produit / Nome della parte / Nombre de la pieza								
NO.	English	Deutsch	Français	Italiano	Español	Parts drawing	Size	Amount
1	Faceplate	Abdeckplatte	Plaque frontale	Piastra frontale	Placa frontal		1000*300*20MM	1
2	Side Frame	Seitenrahmen	Cadre latéral	Telaio laterale	Marco lateral		740*290*53MM	2
3	Intermediate plate	Zwischenplatte	Plaque intermédiaire	Piastra intermedia	Placa intermedia		760*75*20MM	1
A	Hexagon socket screw	Innensechskantschraube	Vis à six pans creux	Vite a brugola	Tornillo de hexágono interior		M6*35MM	4
B	Specification (screw)	Schraubenspezifikation	Spécification de vis	Specifica della vite	Especificación del tornillo		M6*13MM	4
C	Allenkey	Inbusschlüssel	Clé Allen	Chiave a brugola	Llave Allen		M4*100*40MM	1
D	Specification (key)	Schlüsselgröße	Taille de la clé	Misura della chiave	Tamaño de la llave		M6*60MM	2

**Caution: After unpacking, check the correct number of accessories against the instructions.**

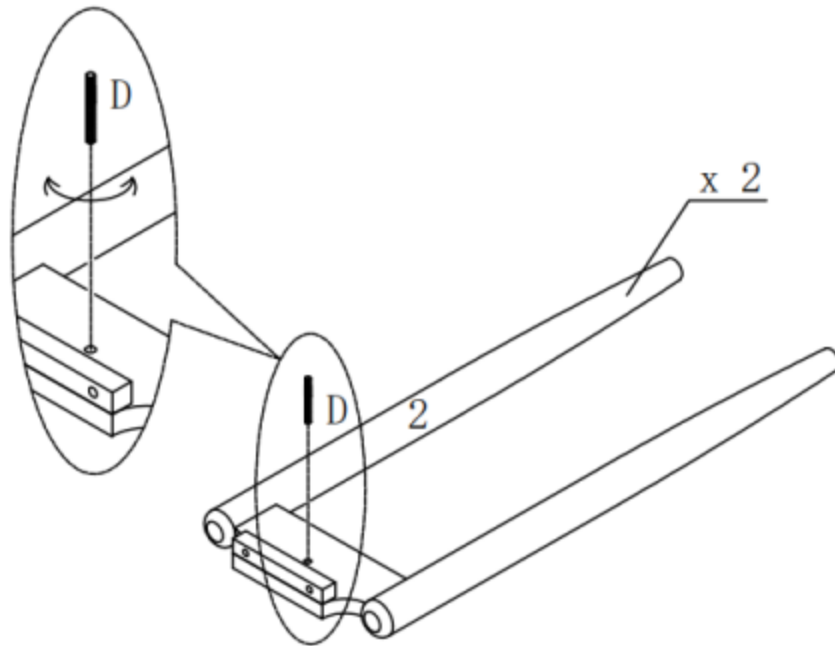
## Illustration of Installation

Part name / Teilname / Noms des pièces du produit / Nome della parte / Nombre de la pieza								
NO.	English	Deutsch	Français	Italiano	Español	Parts drawing	Size	Amount
E	Crescent shims	Halbmondscheiben	Cales en croissant	Rondelle a mezzaluna	Arandelas en media luna		M8*14*27*6MM	2
F	Hexagon nuts	Sechskantmuttern	Écrous hexagonaux	Dadi esagonali	Tuercas hexagonales		M6*10MM	2
G	Open-end wrench	Gabelschlüssel	Clé plate	Chiave a forchetta	Llave fija		M10	1
H	Wood tenon	Holzdübel	Tourillon en bois	Tassello in legno	Espiga de madera		φ8*30MM	2
I	Flat head rapidteeth	Flachkopf-Schnellschraube	Vis à tête plate à filetage rapide	Vite a testa piatta a filettatura rapida	Tornillo de cabeza plana de rosca rápida		M6*50MM	3
J	Adjustable feet	Verstellbare FüÙe	Pieds réglables	Piedini regolabili	Patas ajustables		M6*15MM	4
K	Anti-tipping hardware	Kippsicherung	Dispositif anti-basculement	Ferramenta anti-ribaltamento	Herrajes anti-vuelco			1

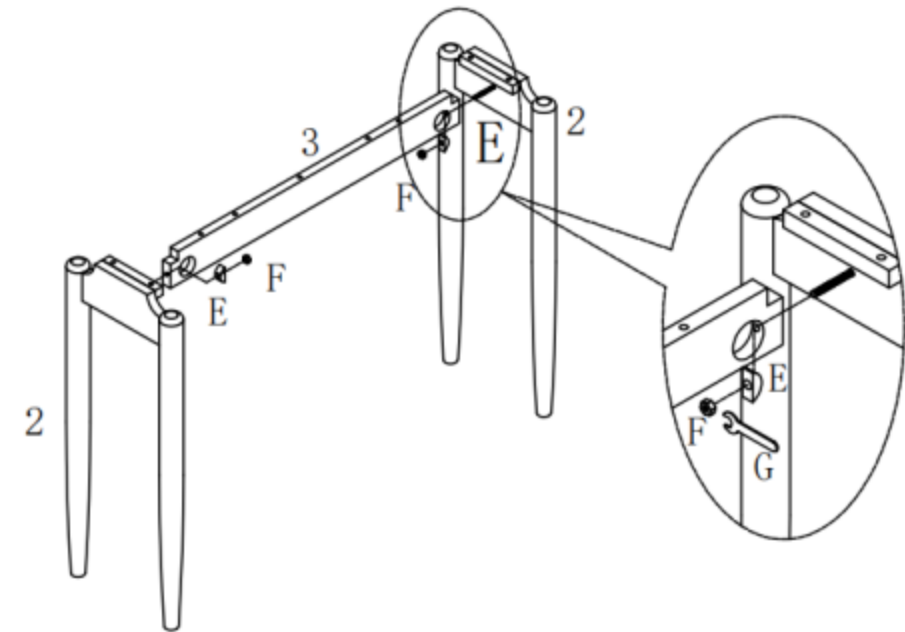
**Caution: After unpacking, check the correct number of accessories against the instructions.**

This product is fully compliant with the national quality inspection standards by wood inspection, paint inspection, qualified and given to the factory, to confirm that the packaging is intact for sale.	Product Category Name	Solid Wood Furniture	Quality Inspector	Implementation Standard:
	Qualification	Pass	QC 02	GB/T 3324
	Grade	Class 1		GB/ 18584

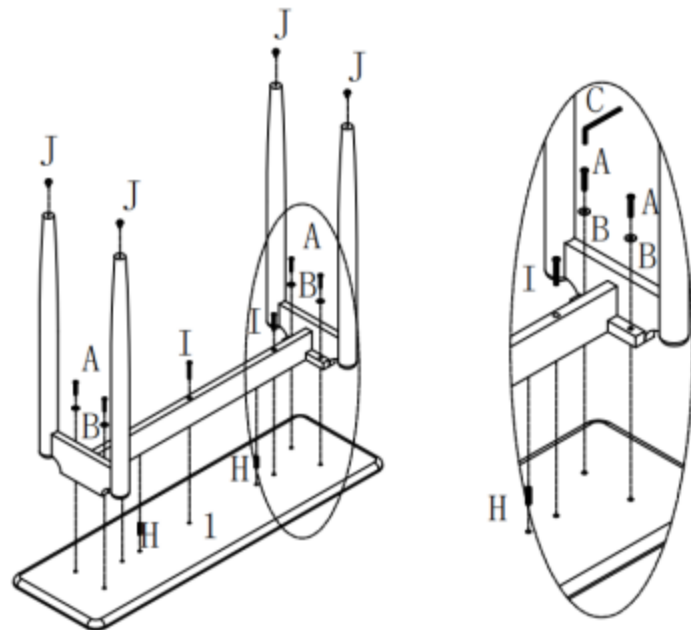
## Step 1 / Schritt 1 / Étape 1 / Passo 1 / Paso 1 :



## Step 2 / Schritt 2 / Étape 2 / Passo 2 / Paso 2 :



## Step 3 / Schritt 3 / Étape 3 / Passo 3 / Paso 3:



## Step 4 / Schritt 4 / Étape 4 / Passo 4 / Paso 4:

**Note:** Optional anti-tipping device can be installed after installation.

